



**THE No. 1 System
for Solvent Safety**

Safety Funnel with hinged lid "Marco"

Smart Protection when collecting Liquid Waste!



www.scatt-europe.com

Clever Technology, Strong Protection!

Safety Funnel "Marco"

✓ Improved Closing

Comfortable handling: easy, quick opening and closing with "click"-closure.

✓ Hinged Lid with Sealing Ring

For secure closure, when the funnel is not in use.

✓ Stable Hinge

A double-screw hinge, constructed of rust-free stainless steel: for long life and stability.

✓ Optimized Dirt Sieve

For collecting mixing magnets or large dirt particles. Laboratory bottles can also be placed here to dry off. The hole size has been optimized, in order to improve the running-off of chemicals. **The sieve can be removed for cleaning.**

✓ Various Screw-Threads

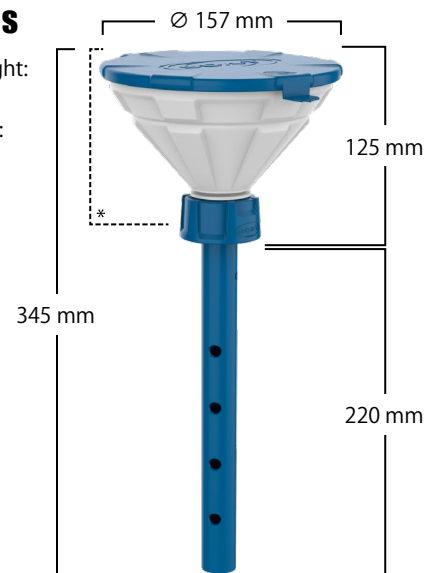
Suitable for different sizes of collecting canister (see Table on Page 3).

✓ Safety Lance

Ensures for safe and good flowing of sensitive chemicals, without any "stuttering".

Dimensions

*Installation height:
+ 105 mm
Lid open vertical:
+ 270 mm

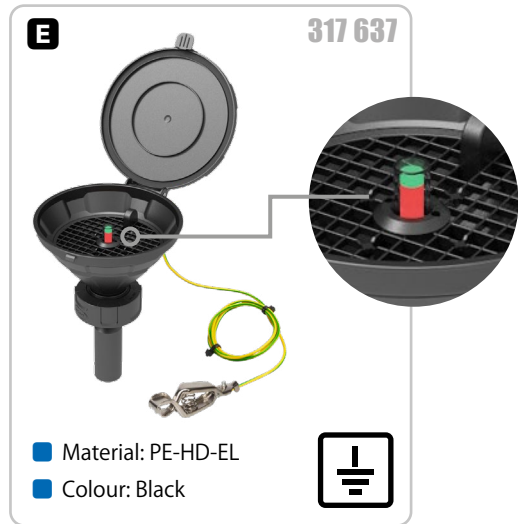
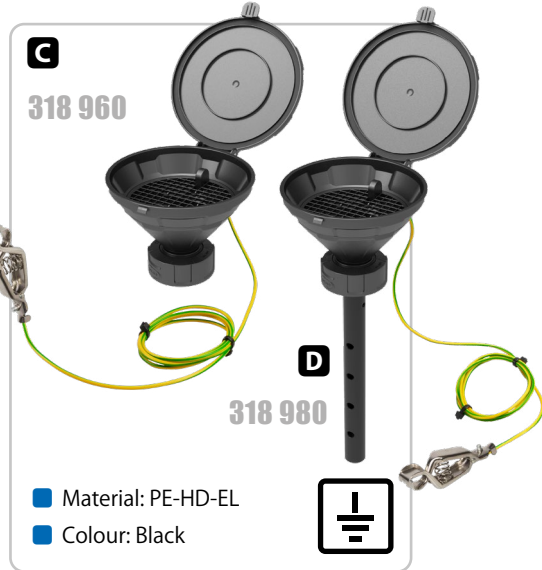
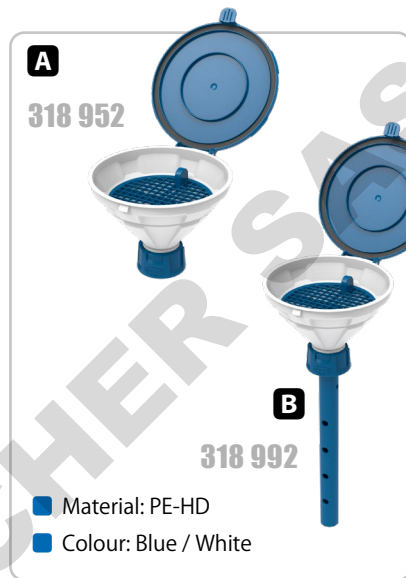


Configurations

Safety Funnel "Marco"



Fig.	Part No.	Screw-Thread of container	Lance	Electrically conductive (incl. grounding cable and clamp)	Integrated Level Control (with Float in mm)	Delivery with Adapter
A	318 952	GL 45	-	-	-	-
-	318 962	GL 45	-	●	-	-
B	318 992	GL 45	●	-	-	-
-	318 955	S 50	-	-	-	●
-	318 985	S 50	●	●	-	●
-	318 995	S 50	●	-	-	●
-	318 953	S 51	-	-	-	●
-	318 983	S 51	●	●	-	●
-	318 993	S 51	●	-	-	●
-	318 951	S 55	-	-	-	●
-	318 961	S 55	-	●	-	●
-	318 981	S 55	●	●	-	●
-	318 991	S 55	●	-	-	●
-	318 950	S 60/61	-	-	-	-
C	318 960	S 60/61	-	●	-	-
D	318 980	S 60/61	-	●	-	-
-	318 990	S 60/61	●	-	-	-
E	317 637	S 60/61	-	●	● 150	-
-	317 651	S 60/61	-	●	● 190	-
-	318 954	S 65	-	-	-	●
-	318 964	S 65	-	●	-	●
-	318 984	S 65	●	●	-	●
-	318 994	S 65	●	-	-	●



Information about "Delivery with Adapter":

The safety funnel "Marco" is available in various container screw-thread sizes. In order that we may produce in an environmentally-friendly and economic manner, certain variants are delivered together with a screw-thread adapter. Those to which this applies can be seen in the column "Delivery with Adapter".





SCAT - Europe GmbH

Waldecker Straße 7
64546 Mörfelden-Walldorf
Deutschland

 **+49 (0) 61 05 / 30 55 86 - 0**

 **+49 (0) 61 05 / 30 55 86 - 99**

 **info@scat-europe.com**


 **www.scat-europe.com**



SCAT - Americas, Inc.

1704 East Blvd., Suite 101
Charlotte, NC 28203
USA

 **+1.704.438.9477**

 **+1.704.373.2603**

 **info@scat-americas.com**

 **www.scat-americas.com**

