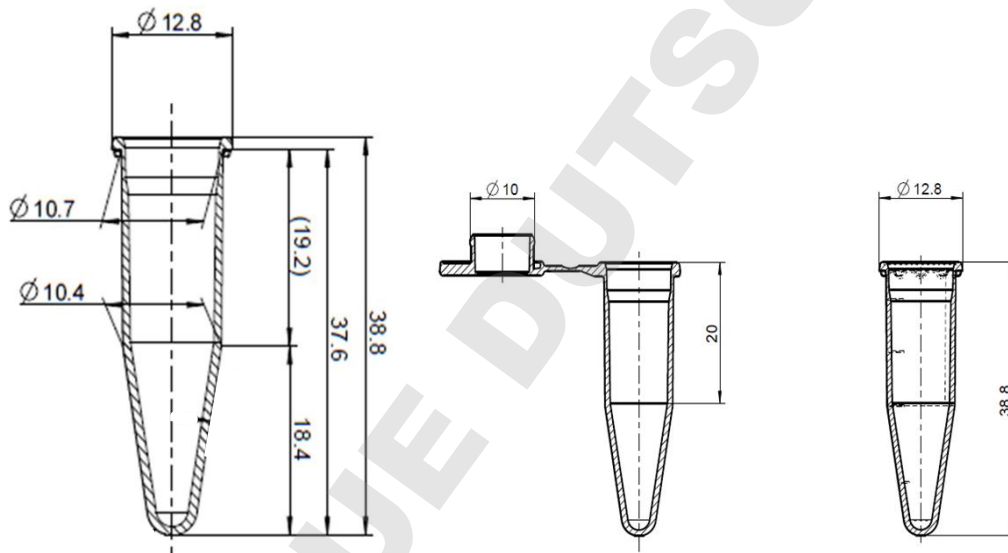


Technical Drawing
Microtube ClickFit 1.5 ml
Order number 96.07514.9.01



Dimensions : Millimeters