

ARCTIKO ULUF 65

true cooling specialists



ULTRA LOW TEMPERATURE UNDERCOUNTER | THE ULUF 65 WILL ADD A NEW DIMENSION TO YOUR LABORATORY, USE IT EITHER AS A BENCHTOP OR UNDERCOUNTER. The compact space-saving design and low noise level makes it a perfect storage solution for your laboratory.

► COOLING TECHNOLOGY

The small size is achieved by utilizing Arctiko's special single compressor technology.

The single compressor technology is specially designed to reduce the number of mechanical components that generates unnecessary heat and noise.

It comes with the same advantages as regular sized -86°C from Arctiko and is best in class in cooling performance.

► FILTERLESS CONSTRUCTION

Our filter less construction makes cleaning unnecessary. The evaporator coils are spaced so far apart that dust will not be trapped and obstruct the airflow.

With our unique construction, the dust intake is minimal, which eliminates the need for filters entirely, saving you maintenance time and cost.

► CUSTOMIZED SOLUTIONS

Even in this size Arctiko can provide a wide range of accessories for customization of the unit, though it is not required to function.

With an optional CO₂ back-up system will keep your samples cold as long as there is CO₂ available in the system – eliminating the dangers of an unstable power grid or simply bad weather.



ULUF 65*



The user friendly G214 controller is standard for the ULUF 65. It includes different alarms as visual, acoustic, open door and more.



Insulated inner door for better recovery time after door openings and optimal temperature stability.



Key lock is a standard feature in our ULUF 65. Placed on side of door for optimal security for your samples.



SINGLE COMPRESSOR SYSTEM

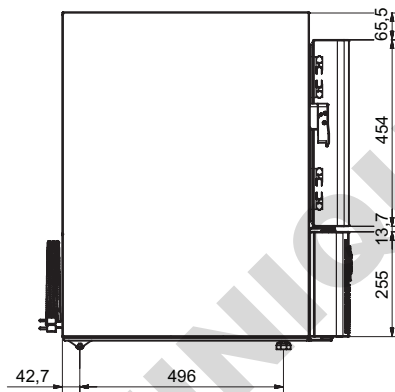
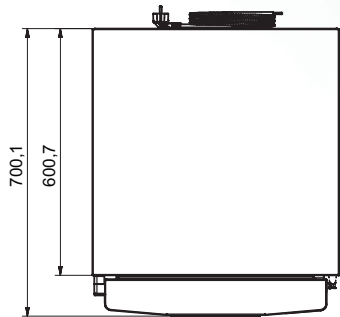
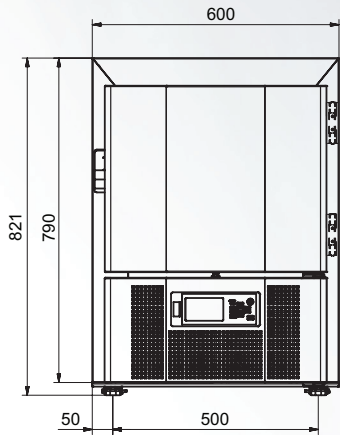


DIRECT COOLING



FILTERLESS CONSTRUCTION

* The pictures shown are for reference only, actual product size may vary. Please read the dimensions of the product in the specifications.



The ARCTIKO ULUF 65 model supports following optional features:

- Modbus adaptor for G214 controller
- Temperature chart recorder
- CO₂ back-up system
- GSM alarm module
- Voltage converter
- Voltage stabilizer
- Boxes
- Cryo gloves



	MODEL	ULUF 65
Main specifications	Item code	DAI 1418
	Temperature range (°C)	-40 / -86
	Max. ambient temperature (°C)	25
	Capacity (L)	54
	Exterior dimensions WxDxH (mm)	600x700x810
	Interior dimensions WxDxH (mm)	360x468x320
	Weight (KG)	77
	Insulation (mm)	120
	Cooling technology	single system / static
	Controller model / probe type	G214 / PT1000
Power	Power supply (V)	230
	Frequency (Hz)	50/60
	Power consumption (kWh/24h)	6,9
	AMP (A)	3,5
	Power (Watt)	521
	Horse power (HP)	5/8
Alarm functions	Alarm display as text - not codes	yes
	Visual / acoustic alarm	yes / yes
	Power failure alarm	yes
	Adjustable high / low temperature alarm	yes / yes
	Open door alarm	yes
	Probe failure alarm	yes
	Low battery alarm	yes
	Compressor failure alarm	yes
Data logging & external connection	Battery backup for alarms (approx. hrs.)	72
	Voltage free contact for remote alarm (e.g. GSM alarm module)	yes
	Electronic data logger	yes
	RS 485 port	yes
Display features	USB port for software update & data download	yes
	Temperature chart recorder	optional
	Display type	4,3" with touch buttons
	Number of optional reference probes	2
Other features	Password protection for turning unit on / off	yes
	Temperature graph on display	yes
	Automatic defrost	no
	Antifreeze function	no
	Vacuum release port	no
	Access port for external probe etc. (int. diameter mm)	12
	Light	no
	Lock with key	yes
	Castors (total pcs) / castors with brake (pcs)	2 rollers / 0
	Fixed feet (pcs) / levelling feet (pcs)	0 / 2
Refrigeration & cabinet	Sub lids / inner doors (pcs)	1
	Fixed shelves (pcs) / adjustable shelves (pcs)	no
	Total capacity of 50 mm boxes 9x9 diddividers (pcs)	30
	Total capacity of 75 mm boxes 9x9 diddividers (pcs)	18
	Total capacity of 96 mm boxes 9x9 diddividers (pcs)	12
	Number of compressors	1
	Refrigerant	EP88
Interior cabinet material	stainless steel	
Exterior cabinet material	electrogalvanized steel	
Colour (exterior cabinet)	white	
Foam type	polyurethane	
VIP vacuum insulated panels	no	
Shipping	Shipping weight (KG)	99
	Shipping dimensions WxDxH (cm)	81x69x103
	Shipping volume (m ³)	0,58