

1

2

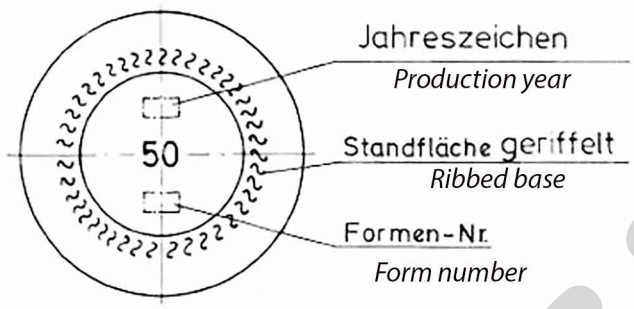
3

4

A

Unteransicht

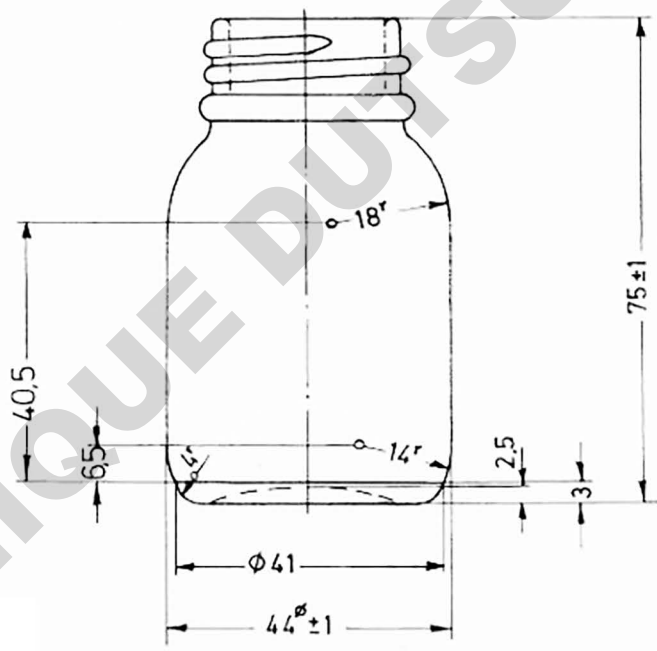
Bottom view



B

Vorderansicht

Front view




C

D

E

F

(Verwendungsbereich) <i>(intended use)</i> - Kundenzeichnung - <i>- customer drawing -</i>	(ESDT) <i>(domf)</i> 26.04.74	(Form-Nr. :) <i>(form number)</i> 4494807003	(Material) <i>(material)</i> Glas (klar) <i>glass (clear)</i>	(Gewicht) <i>(weight)</i> ~65g
	Allgemeintoleranz - Flaschen und Hohlkörper aus Glas <i>(general tolerances - Bottles and hollow-ware from glass)</i> DIN 6129		(Nennvolumen) <i>(nominal volume)</i> 50 ml	(Rv.) <i>(brim-full)</i> ~64 ml
Rixius AG Otto Hahn Straße 19 68169 Mannheim - Germany Tel.: +49 (0)621 32272 -0 <i>(phone)</i> Fax: +49 (0)621 32272 -29 <i>(fax number)</i> E-Mail: info@rixius.com	2020 Bearb. <i>(created by)</i> 25.02. Gepr. <i>(checked by)</i> 25.02.	Datum <i>(date)</i> Name <i>(name)</i> Raith	(Benennung) <i>(title)</i> zylindrisches Weithalsglas - <i>cylindric wide-mouth-jar -</i>	
	 Zuverlässig. Seit 1879.		(Artikelnummer) <i>(item no.)</i> 1-0300-0050-32	Blatt <i>(sheet)</i> 1 1/1 Bl.
Schutzvermerk ISO 16016 beachten! <i>observe proprietary notice according to ISO 16016!</i>				