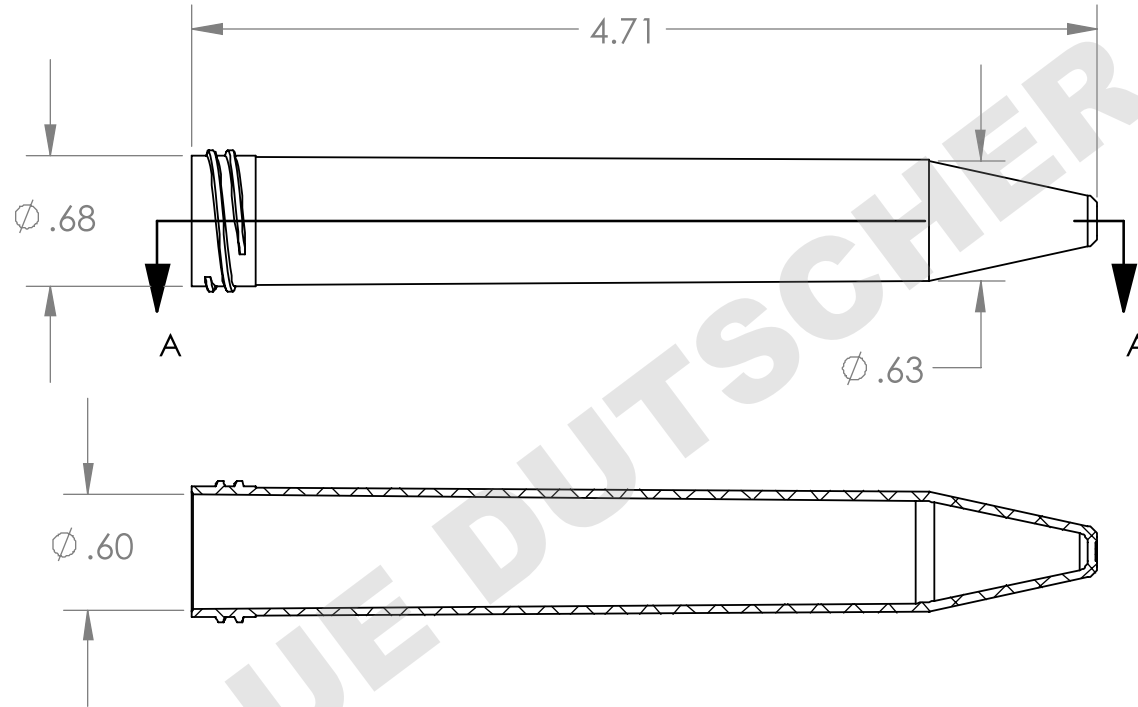
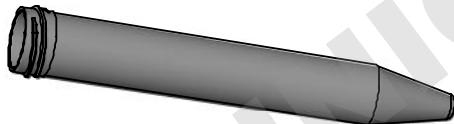


THIS DOCUMENT CONTAINS INFORMATION WHICH IS THE SOLE PROPERTY OF LABCON N.A.. THIS DOCUMENT IS RECEIVED IN CONFIDENCE AND ITS CONTENTS MAY NOT BE DISCLOSED IN ANY FORM, BE THEY ELECTRONIC OR PAPER, WITHOUT THE PRIOR WRITTEN CONSENT OF LABCON NORTH AMERICA.

REVISIONS		
REV.	DESCRIPTION	DATE
1	EDITED DRAWING VIEW	2/28/2012
-		



SECTION A-A
SCALE 1 : 1



NOTES

- Material: Polystyrene

UNLESS OTHERWISE SPECIFIED DIMENSIONS ARE IN INCHES.

INTERPRET DIMENSIONS AND TOLERANCE PER ANSI/ASME Y14.5M-1994

DOCUMENT SET IN THIRD ANGLE PROJECTION

DRAWN	DATE
D. MURRAY	9/27/07
APPROVED	DATE

labcon North America

700 DUBOIS STREET SAN RAFAEL, CALIFORNIA 94901 USA
TEL 415.456.2815 FAX 415.457.7041 WWW.LABCON.COM

TITLE
TUBE, 15ml

SIZE A	DWG. NO. CS-5354-1	REV. 2
-----------	-----------------------	-----------

SCALE 1:2	DO NOT SCALE DRAWING	SHEET 1 of 1
--------------	----------------------	--------------