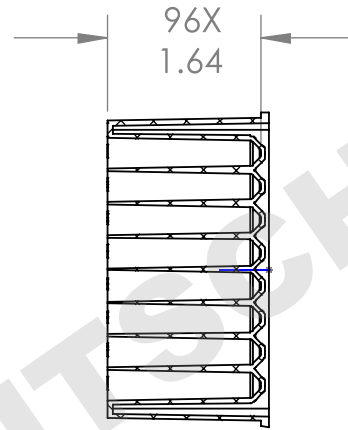
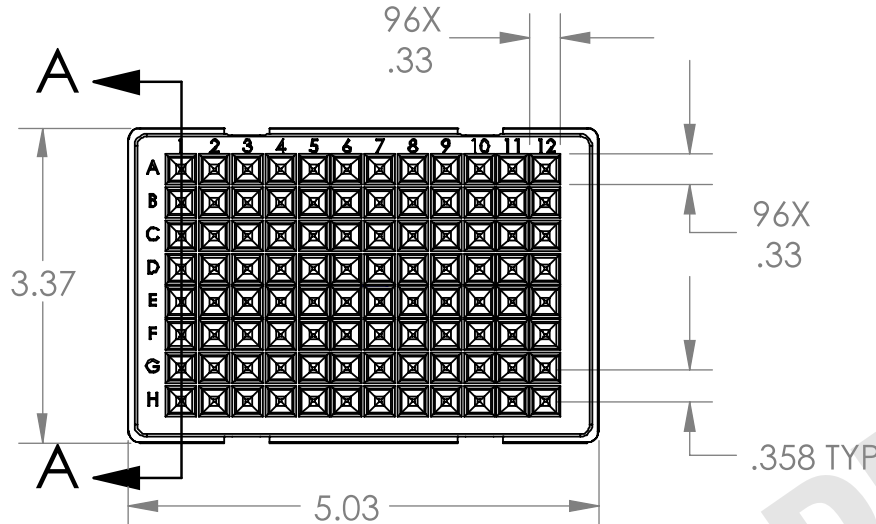
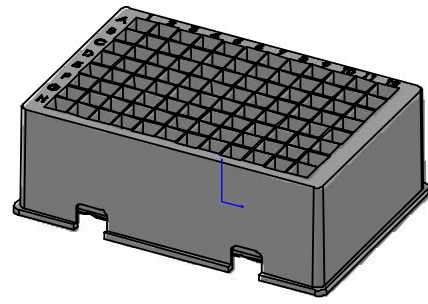
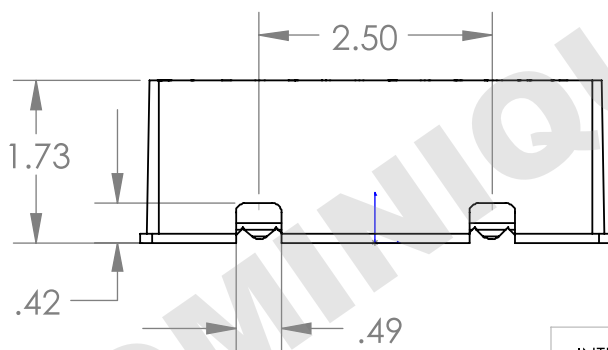


THIS DOCUMENT CONTAINS INFORMATION WHICH IS THE SOLE PROPERTY OF LABCON N.A.. THIS DOCUMENT IS RECEIVED IN CONFIDENCE AND ITS CONTENTS MAY NOT BE DISCLOSED IN ANY FORM, BE THEY ELECTRONIC OR PAPER, WITHOUT THE PRIOR WRITTEN CONSENT OF LABCON NORTH AMERICA.

REVISIONS		
REV.	DESCRIPTION	DATE



SECTION A-A



- NOTES:
1. For Reference Only
 2. V-shaped wells
 3. 3905-520-000

INTERPRET DIMENSIONS AND TOLERANCE PER ANSI/ASME Y14.5M-1994	
DOCUMENT SET IN THIRD ANGLE PROJECTION	
DRAWN	DATE
VHapp	8/19/11

UNLESS OTHERWISE SPECIFIED DIMENSIONS ARE IN INCHES.

TOLERANCES SET AT:

X.XX ± 0.005

X.XXX ± 0.001

X.XXXX ± 0.0002

labcon North America

3700 Lakeville Hwy, Petaluma, CA 94954
 tel (707) 766-2100 | fax (707) 766-2199 | www.labcon.com

TITLE		
SIZE	DWG. NO.	REV.
A	3905 Deep Well Plate	
SCALE 1:2	DO NOT SCALE DRAWING	SHEET 1 of 1