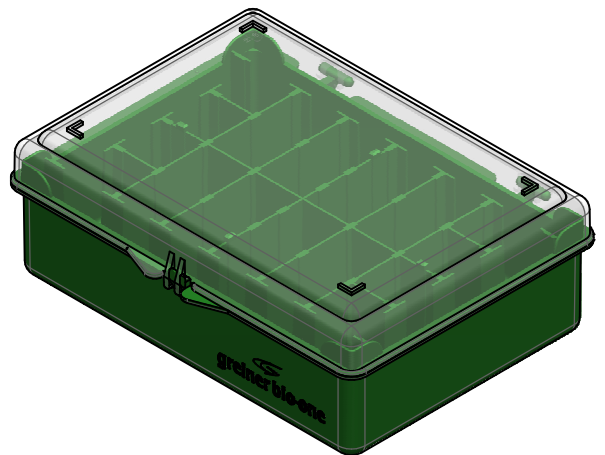
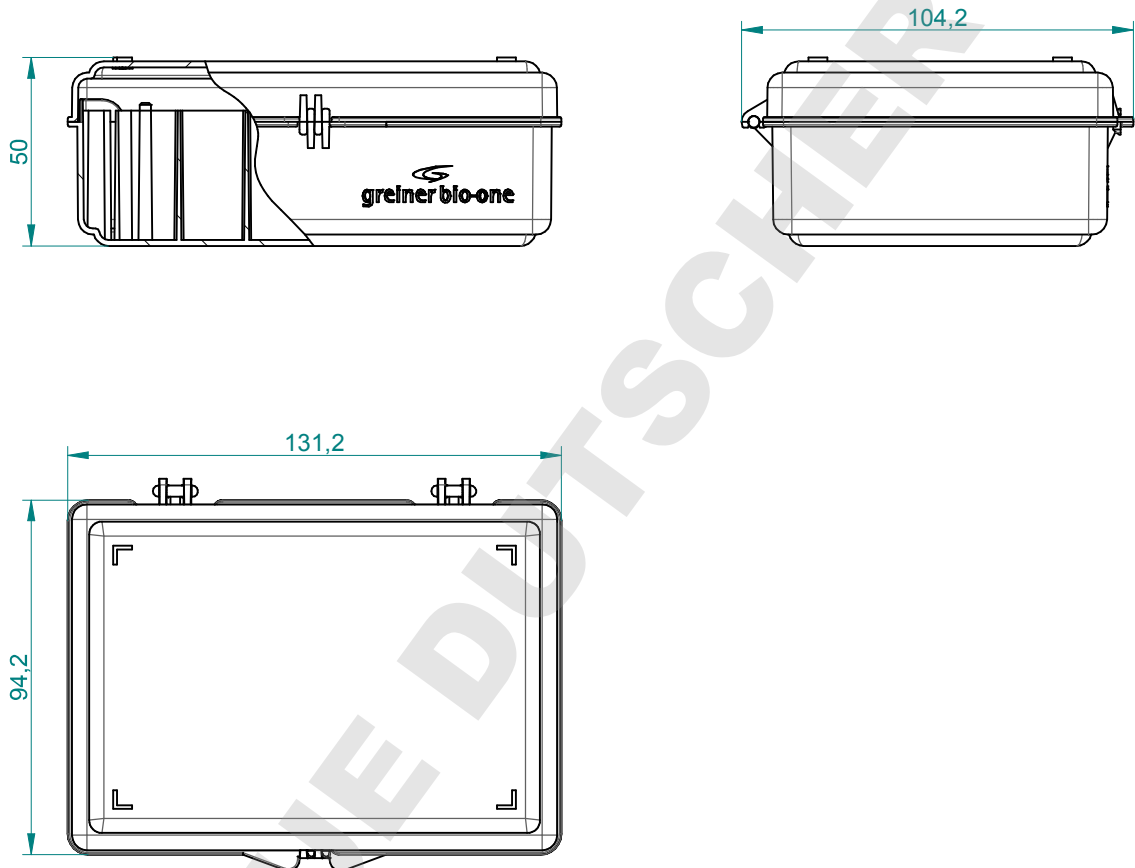




Valid for Item-No.: 941300



"All dimensions in mm"

Customer drawing subject to change without notice!

Uncontrolled Copy

Prior Issue	Drawn	Approved	Released	CONFIDENTIAL: Information contained in this document or drawing is confidential and proprietary to Greiner Bio-One GmbH. This document may not be reproduced for any reason without written permission from Greiner Bio-One GmbH. All rights of design, invention, and copyright are reserved.
Revision -	Date 28.02.2017	Date Mar. 2017	Date Mar. 2017	
Date -	Name G. Kofler	Name Ch. Rathner	Name Ch. Rathner	