

Product Datasheet model uvex i-5 9183 265

**UVEX ARBEITSSCHUTZ GMBH, Würzburger Str. 181-189,
D-90766 Fürth**

1. Product Characteristics

- sporty premium quality safety spectacle with a range of adaptive features
- x-tended eyeshield: soft seal frame technology wraps around the brow providing protection from particle ingress
- x-tended sideshield offers additional protection from hazards
- ergonomically shaped side arms with multi-incline points and length adjustment allow for a high level of individualization to ensure a good fit for all facial shapes and head widths
- soft-grip temple ends provide a comfortable, secure fit without pressure
- soft, flexible nose pad adapts to the wearer, delivering a non-slip and pressure-free fit
- robust polycarbonate lens with uvex's proven supravision coating technology – permanent anti-fog and scratch-resistant lens
- UV400 – 100 % protection against dangerous UVA and UVB radiation up to 400 nm
- optional clip-in frame seal provides extra protection against particles, dirt and dust
- metal-free

2. Technical Details Body

Frame

Material	TPU / TPE / POM
Version	multi-incline points, individually adjustable
Colour	anthracite, blue


Marking

Manufacturer 's ID code	W
Applicable EN norm	166
Impact resistance	F (45 m/s)
Resistance to high speed particles at extremes of temperature	T
Conformity symbol	CE

3. Technical Details Lens

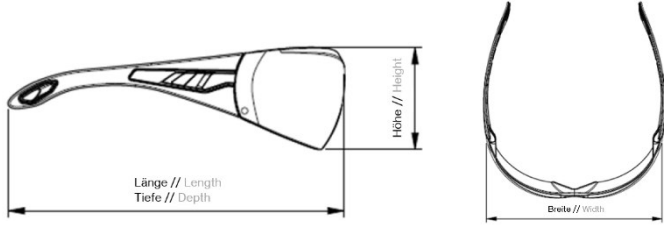
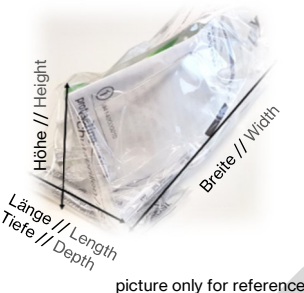
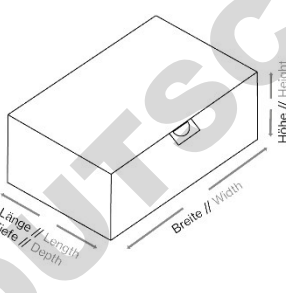
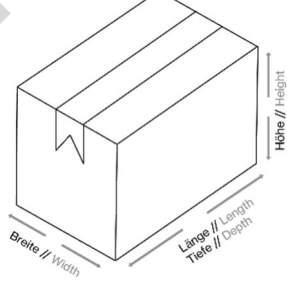
Material	PC
Thickness	1.9 mm at PD
Coating	uvex supravision excellence
Colour	clear
UV protection	UV400

Marking

Filter	2C-1.2 (EN 170)
Manufacturer 's ID code	W
Optical class	1
Impact resistance	F (45 m/s)
Resistance to high speed particles at extremes of temperature	T
Scratch resistance	K
Antifog	N
Conformity symbol	CE
Factory symbol	

4. Logistical Information

Product

Weight	29g		
Dimensions (L x W x B) in approx. mm	 <p style="text-align: right;">picture only for reference</p>		
	158 x 148 x 50		
	Packing unit 1	Packing unit 2	Packing unit 3
EAN Code	4031101790749	4031101790749	4031101790749
Quantity in pcs.	1	10	160
Dimensions (L x W x H) in approx. mm	 <p style="text-align: center;">picture only for reference</p>		
	60 x 150 x 58	185 x 290 x 97	600 x 400 x 400
Net weight in approx. g	29	290	4,640
Gross weight in approx. g	43	535	9,430
Country of Origin	Germany		

5. Miscellaneous

Standards	EN 166 + EN 170
PPE Category	Category II