

General Lab Products



The Next Benchmark

Eppendorf Centrifuge 5910 R and Centrifuge 5920 R



»Eppendorf – A New Spin on Centrifugation.«

Whether you choose the new Centrifuge 5910 R with great versatility or the well established Centrifuge 5920 R with more capacity, both instruments follow the same extremely high Eppendorf standards in temperature management, safety and convenience.



Advanced temperature management

Temperature management is much more than just cooling. Eppendorf offers state-of the art hardware and software features for energy efficiency and sample protection. We have thought of everything so that you don't have to worry about your samples.

> See page 4 for more information.



Innovative safety features

Eppendorf centrifuges have a reputation of being an essential workhorse in the lab. Operation is simple, seamless and safety comes as standard. Automatic rotor recognition and built-in imbalance sensors protect the centrifuge, your samples and most importantly – you.

> See page 4 for more information.



Excellent user convenience

The user is at the center of all our efforts and optimization measures. Centrifuge 5910 R and Centrifuge 5920 R have been engineered to be extremely quiet and handling is convenient. Eppendorf has taken all the measurements to make everyday work more enjoyable.

> See page 5 for more information.

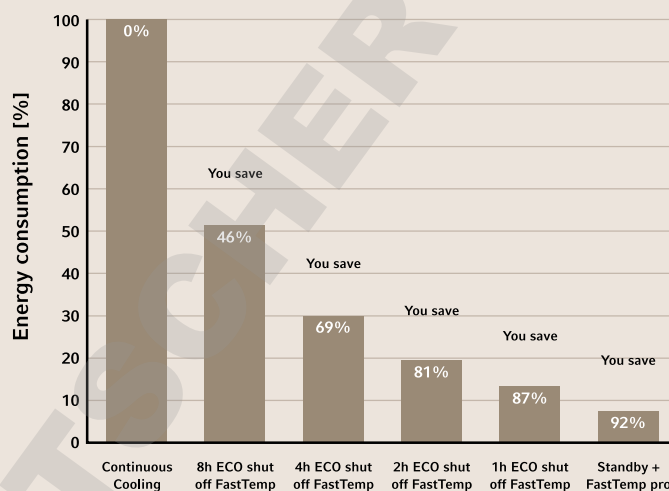
Centrifuge 5910 R and Centrifuge 5920 R

Advanced temperature management

Eppendorf developed the Dynamic Compressor Control (DCC). Unlike other compressors which switch back and forth between 0% and 100% performance output, DCC allows for a constant and smooth temperature regulation. This results in a precise cooling performance and the set temperature is kept stable at all time.

In addition to the well-known FastTemp function for super fast pre-cooling, both instruments include the new FastTemp pro® software option. This feature allows for automated pre-cooling based on pre-programmable time and date. Simply turn the centrifuge into standby mode when you leave your lab and let FastTemp pro take care of pre-cooling in the morning so you don't have to. This saves you more than 90% of energy over night and programming is super easy.

Centrifuge 5920 R: Energy saving overnight with ECO shut-off and FastTemp pro®



Innovative safety features

Centrifuge 5910 R and Centrifuge 5920 R have an automatic rotor recognition. This feature detects a newly inserted rotor and automatically limits the centrifuge speed to the rotor's maximum permissible value.

When handling substances that pose a health hazard it is highly recommended to use aerosol-tight fixed-angle rotors with Eppendorf QuickLock® lids or swing-bucket rotors in combination with Eppendorf QuickLock caps.



- > Automatic rotor recognition and imbalance detection for maximum operational safety
- > Sturdy motor driven lid locks to ensure secure operation
- > Not one but two gas springs to support the lid
- > Aerosol-tight rotors and buckets to avoid contamination

Centrifuge 5910 R and Centrifuge 5920 R

Excellent user convenience

For ergonomic lid operation Eppendorf designed the soft-touch lid closure system. There is no need to exert unnecessary force when closing the centrifuge lid. In combination with a low opening height you can close the centrifuge with ease.

Centrifuge 5910 R and Centrifuge 5920 R feature an advanced operation system that comes with an easy to use interface to make the operation intuitive and more enjoyable. The multilingual operation menu includes 5 program keys for easy access to your routine programs.



- > Soft-touch lid for stress-free instrument closing
- > Low access height for easy loading and unloading
- > Low noise level to improve your work environment
- > Large display and intuitive operating system
- > 5 program keys for easy access to routine programs



| Feature | Centrifuge 5910 R | Centrifuge 5920 R |
|--|-------------------|-------------------|
| 1,000 mL bottles | – | 4 |
| 750 mL bottles | 4 | 4 |
| 250 mL bottles | 4 | 8 |
| 50 mL conical tubes | 36 | 52 |
| 5 mL and 15 mL conical tubes | 68 | 108 |
| 1.5 mL and 2.0 mL micro tubes | 200 | 368 |
| BD Vacutainer® CPT™ (16 mm x 125 mm/8 mL) | 28 | 80 |
| 16 mm blood tubes (7.5 mL–12 mL) | 104 | 148 |
| 13 mm blood tubes (4 mL–8 mL) | 120 | 196 |
| MTP/DWP | 20/4 | 28/8 |
| Universal adapters for conical tubes, plates and bottles | ■ | – |
| Dual use of plates and tubes in one rotor bucket | ■ | ■ |
| Plate rotor options for MTP, PCR or DWP | ■ | ■ |
| Fixed-angle rotors for high-speed applications | ■ | ■ |
| Dimensions (W x D x H) | 72 x 66 x 37 cm | 74 x 71 x 40 cm |
| Height (with open lid) | 85 cm | 94 cm |
| Weight (w/o accessories) | 109 kg | 139 kg |

Centrifuge 5910 R – Great Versatility



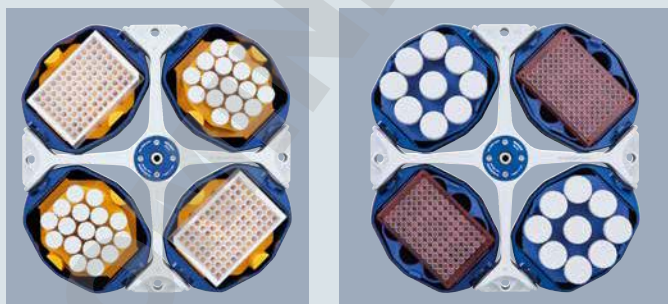
Centrifuge 5910 R and its new swing-bucket rotor S-4xUniversal offer great versatility. The new universal adapters accommodate bottles, plates and more 15 mL or 50 mL conical tubes than standard 3 Liter multipurpose centrifuges. No need to change rotor or rotor buckets. This improves handling and saves time.

Great versatility for all your applications

- > Swing-bucket rotors and adapters accommodate tubes and bottles from 0.2 mL to 750 mL
- > Plate rotor options for centrifugation of all types of MTP, PCR or deepwell plates (DWP)
- > Fixed-angle rotors for high-speed molecular biology applications in tubes from 0.2 mL to 50 mL
- > High centrifugation speed of up to $22,132 \times g$ (14,000 rpm)

Super quiet operation

- > Centrifuge 5910 R designed to operate at low noise levels for a relaxing work environment
- > Low noise aerodynamic swing-bucket rotor and cooling fan design
- > Most quiet multipurpose centrifuge within the Eppendorf product range



New versatile universal adapters

Three innovative universal adapters can spin a selection of tubes, bottles and plates:

- > Adapter 1: 5.0 mL and 15 mL conical tubes, DWP, MTP
- > Adapter 2: 50 mL conical tubes, MTP
- > Adapter 3: 50 mL conical tubes, 250 mL bottles, MTP



> More information:
www.eppendorf.com/centrifuge-5910R

Centrifuge 5920 R – More Capacity



As awarded by The Chicago Athenaeum: Museum of Architecture and Design.

Centrifuge 5920 R delivers extraordinary high capacity in a very compact and ergonomic product design. It has similar dimensions as competing refrigerated 3 Liter models and yet features a superior capacity of up to 4 × 1,000 mL; thus making it the ideal instrument for high-throughput applications.

More Capacity for higher throughput

- > Swing-bucket rotors accommodate tubes and bottles from 0.2 mL to 1,000 mL
- > Fixed-angle rotors for high-speed molecular biology applications in tubes from 0.2 mL to 50 mL
- > Plate rotor options for centrifugation of all types of MTP, PCR or DWP

Rotor S-4x1000 for 1 liter bottles

- > Round buckets accommodate standard 1 liter Nalgene® bottles setting a new standard in the table top centrifuge segment
- > 4 liter capacity to process a higher volume in fewer runs
- > Range of adapters for tubes and plates available
- > Maximum rcf at 3,413 × g



> More information:

www.eppendorf.com/centrifuge-5920R



Overview of Swing-Buckets Rotors



| Model | Rotor S-4xUniversal-Large | Rotor S-4x1000 high-capacity buckets | Rotor S-4x1000 plate/tube buckets | Rotor S-4x1000 round buckets |
|---|---------------------------|--------------------------------------|-----------------------------------|---|
| Positioning | Extra high capacity | Extra high capacity | High capacity | Medium capacity, compatible with 1 Liter bottle |
| 5910 R | | | | |
| 5920 R | ■ | ■ | ■ | ■ |
| Universal bucket | yes | no | no | no |
| Aerosol-tightness | yes | no | yes | yes |
| Max. capacity | 4 × 750 mL | 8 × 250 mL | 40 × 50 mL | 4 × 1,000 mL |
| Max. RCF | 4,402 × <i>g</i> | 3,153 × <i>g</i> | 3,076 × <i>g</i> | 3,413 × <i>g</i> |
| Max. speed | 4,250 rpm | 3,700 rpm | 3,700 rpm | 3,700 rpm |
| 1.5/2.0 mL micro tube | 368 | | | 200 |
| Eppendorf Tubes® 5.0 mL and 15 mL conical | 96 | 108 | 88 | 56 |
| 50 mL conical | 40 | 52 | 40 | 28 |
| 13 mm blood tube | 196 | 196 | 140 | 92 |
| 16 mm blood tube | 148 | 144 | 132 | 80 |
| 750 mL bottle | 4 | | | 4 |
| 1,000 mL bottle | | | | 4 |
| MTP/DWP | 20/8 | 24/8 | 28/8 | 28/8 |

Advanced Rotor Design – Swing-Bucket Rotors



Rotor buckets for tubes and plates (selected rotors only)

Advantages:

- > Time saving: No need to exchange buckets
- > Cost saving: No need for separate plate buckets
- > Space saving: No need to store different buckets

The illustrated Rotor S-4xUniversal (Centrifuge 5910 R) additionally comes with »universal adapters« that support multiple plate and tube formats. Your benefit: Even more savings!



| Rotor S-4xUniversal | Rotor S-4x750 | Rotor S-4x500 | Rotor S-4x400 |
|-------------------------------|-----------------------------|-----------------|-----------------------------|
| High capacity and versatility | Medium capacity, high speed | Medium capacity | Medium capacity, high speed |
| ■ | ■ | ■ | ■ |
| yes | no | no | no |
| yes | yes | yes | yes |
| 4 x 750 mL | 4 x 750 mL | 4 x 500 mL | 4 x 250 mL |
| 4,347 x g | 4,800 x g | 3,220 x g | 5,263 x g |
| 4,500 rpm | 4,700 rpm | 4,000 rpm | 5,100 rpm |
| 68 | 200 | 96 | 104 |
| 36 | 56 | 48 | 28 |
| 120 | 28 | 20 | 16 |
| 104 | 92 | 100 | 60 |
| 4 | 80 | 64 | 44 |
| 20/4 | 4 | | |
| | 16/4 | 16/4 | |



Aerosol-tight Eppendorf QuickLock® caps

- > Significantly improved handling, easy operation with one or two hands
- > Handle allows the closed bucket to be carried to the biosafety cabinet where it can be opened in a safe environment
- > Aerosol-tightness has been tested and verified by Public Health England, Porton Down, UK

Overview of Fixed-Angle Rotors



| Model | Rotor FA-6x250*1 | Rotor FA-6x50 | Rotor FA-20x5 |
|--|---|---|--|
| Positioning | Processing of cells in higher volumes at high speed | Molecular applications in tubes up to 50 mL conical | Applications in Eppendorf Tubes 5.0 mL |
| 5910 R | ■ | ■ | ■ |
| 5920 R | ■ | ■ | ■ |
| Aerosol-tightness | yes | yes | yes |
| Max. capacity | 6 × 250 mL | 6 × 50 mL | 20 × 5 mL |
| Max. RCF | | 20,130 × <i>g</i> | 20,913 × <i>g</i> |
| Max. speed | | 12,100 rpm | 13,100 rpm |
| 1.5/2.0 mL micro tube | | 6 | 20 |
| Eppendorf Tubes 5.0 mL and 15 mL conical | | 6 | 20/0 |
| 50 mL conical | | 6 | |
| 250 mL | 6 | | |

*1 from Q4/2018.

Advanced Rotor Design – Fixed-Angle Rotors



Cross section of Rotor FA-6x50 (6 × 50 mL conical) showing the light-weight design. All metal not needed for safety or performance is hollowed out to reduce weight and improve handling.

Low rotor weight

The fixed-angle rotors of Eppendorf are among the lightest in the industry to improve handling and operational safety. Light-weight rotors cause less wear and tear on the motor and allow for faster acceleration and braking times.



| Rotor FA-48x2 | Rotor FA-30x2 | Rotor F-48x15 |
|--|--|---|
| High-throughput applications in Eppendorf Tubes 1.5/2.0 mL | High-throughput applications in Eppendorf Tubes 1.5/2.0 mL | High-capacity fixed-angle rotor for 15 mL conical and glass tubes |
| ■ | ■ | ■ |
| ■ | - | - |
| yes | yes | |
| 48 × 2 mL | 30 × 2 mL | 40 × 15 mL |
| 21,194 × <i>g</i> (5920 R)/22,132 × <i>g</i> (5910 R) | 20,984 × <i>g</i> | 5,005 × <i>g</i> |
| 13,700 rpm (5920 R)/14,000 rpm (5910 R) rpm | 13,700 rpm | 5,500 rpm |
| 48 | 30 | |
| | | 0/40 |
| | | |
| | | |
| | | |

Eppendorf QuickLock® lids for ergonomic lid locking

Our aerosol-tight QuickLock rotors close with only ¼ of a turn. This not only saves you time during every day use, it also takes repetitive stress off your wrist.

Superior temperature control

Aluminum, with its high heat conductivity, allows fast pre-cooling and accurate temperature control in refrigerated centrifuges.

Perfect fit with Eppendorf Conical Tubes 15 mL and 50 mL

The Eppendorf Conical Tubes are characterized by an outstanding centrifugation stability of up to 19,500 × *g**2. This makes them suited for a broad range of applications.

*2 Test conditions: Rotor FA-45-6-30 in Eppendorf Centrifuge 5810 R (using a suitable centrifuge adapter for 15 mL tube), sample: Saline solution (density: 1.0 g/mL), controlled centrifugation temp.: 25 °C, centrifugation time: 90 min



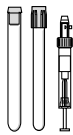
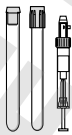

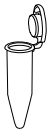


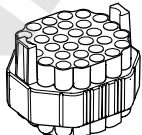
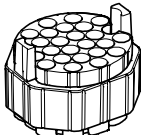
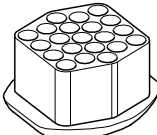
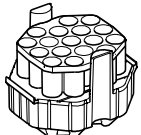
Rotors for Centrifuge 5910 R



Rotor S-4xUniversal

- > High capacity swing-bucket rotor with max. speed $4,347 \times g$ (4,500 rpm)
- > Broad range of adapters enables high versatility for tubes and flasks from 4 mL to 750 mL and plates
- > Universal bucket design accommodates both plates and tubes
- > Universal adapters accommodate selective plate formats and conical tubes
- > Aerosol-tight QuickLock caps for safe centrifugation of hazardous samples optionally available*¹
- > Buckets, caps and adapters are autoclavable

*¹ Aerosol-tightness tested by Public Health England, Porton Down, UK.

| |  |  |  |  |  |  |
|---|---|---|---|--|---|---|
| Adapters for Rotor S-4xUniversal | | | | | | |
| Tube Volume | 4–8 mL | 7.5–12 mL | 9 mL | Eppendorf Tubes® 5.0 mL | 15 mL conical | MTP, DWP |
| Max. tube diameter | 13 mm | 16 mm | 17.5 mm | 17 mm | 17 mm | |
| Max. vessel height | 119 mm | 120 mm | 120 mm | 124 mm | 124 mm | 64 mm |
| Max. vessel height for use with cap/lid*¹ | 117 mm | 118 mm | 118 mm | 122 mm | 122 mm | * ² |
| Adapter |  |  |  | |  | |
| Number of vessels per adapter/rotor | 30/120 | 26/104 | 21/84 | 17/68 | 17/68 | 1/4 |
| Bottom shape | round | round | round | conical | | flat |
| Centrifugation radius | 190 mm | 195 mm | 188 mm | 191 mm | | 143 mm |
| Max. RCF | $4,302 \times g$ | $4,415 \times g$ | $4,256 \times g$ | $4,324 \times g$ | | $3,237 \times g$ |
| Packing | set of 2 pcs. | set of 2 pcs. | set of 2 pcs. | set of 2 pcs. | | |
| Order no. | 5910 755.007 | 5910 754.000 | 5910 762.003 | | 5910 752.008 | |

*¹ Please perform a manual test to determine the actual loading capacity.

*² Aerosol-tight caps compatible with MTP, DWP 96 500 µL, DWP 384 200 µL. Aerosol-tight caps not compatible with DWP 96 1,000 µL and 2,000 µL.

*³ When used with aerosol-tight caps the max. capacity is reduced to 20 x 50 mL (5 x 50 mL per adapter).



Rotor S-4xUniversal brings outstanding versatility to those customers who need to spin both tubes and plates. Three new innovative »universal adapters« can spin selective conical tube and plate formats:

> Eppendorf Tubes 5.0 mL/15 mL conical/DWP

> 50 mL conical/MTP

> 50 mL conical/250 mL flat/MTP

For customers who need either stacking capability, higher speed or aerosol-tight centrifugation of certain plate formats, a separate plate carrier is available.

Ordering information

Description

Rotor S-4xUniversal, incl. universal buckets

Aerosol-tight caps, for Rotor S-4xUniversal, set of 2 pcs.


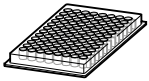

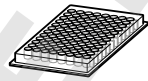
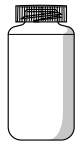



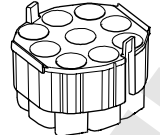

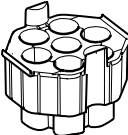


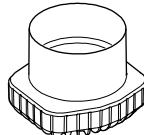
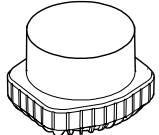

Wide-neck bottle, 750 mL, set of 2 pcs.

Order no.

5895 200.001

5910 750.005

5820 708.000

| | | | | | | | |
|---|---|---|---|---|--|---|---|
|  |  |  |  |  |  |  |  |
| 50 mL conical | Microplate 96/384 wells | 50 mL conical | Microplate 96/384 wells | 250 mL flat, 175–225 mL conical | 500 mL Corning® | 750 mL | MTP, DWP, PCR plates |
| 29 mm | | 62 mm | | 62 mm | 96 mm | 102 mm | |
| 116*3 mm | 16 mm | 124 mm | 16 mm | 146 mm | 148 mm | 139 mm | 88 mm |
| 116*3 mm | | 121 mm | | 139 mm | | 135 mm | 60 mm |
|  |  |  |  |  |  |  |  |
| 9/36 | 1/4 | 7/28 | 1/4 | 1/4 | 1/4 | 1/4 | 5/20 |
| conical | flat | conical | flat | flat | conical | flat | flat |
| 192 mm | 115 mm | 191 mm | 115 mm | 187 mm | 187 mm | 188 mm | 170 mm |
| 4,347 × g | 2,604 × g | 4,324 × g | 2,604 × g | 4,234 × g | 4,234 × g | 4,256 × g | 3,849 × g |
| set of 2 pcs. | set of 2 pcs. | set of 2 pcs. | | | set of 2 pcs. | set of 2 pcs. | set of 2 pcs. |
| 5910 769.008 | | 5910 751.001 | | | 5910 760.000 | 5910 757.000 | 5910 753.004 |

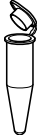
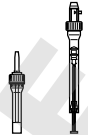
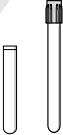
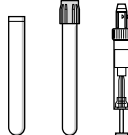
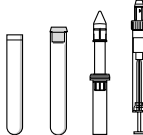
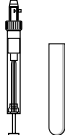

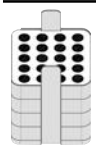
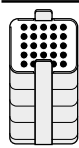
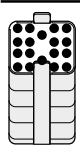
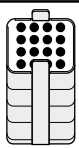
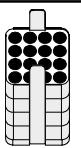
Rotors for Centrifuge 5910 R



Rotor S-4x500

- > Medium capacity swing-bucket rotor with max. speed $3,220 \times g$ (4,000 rpm)
- > Rotor S-4x500 accommodates tubes and bottles from 0.2 mL to 500 mL as well as plates
- > Aerosol-tight caps for safe centrifugation of hazardous samples optionally available*¹
- > Mixed loading with 2 plate buckets and 2 rectangular buckets allows for increased versatility
- > Buckets, caps and adapters are autoclavable

*¹ Aerosol-tightness tested by Public Health England, Porton Down, UK.

| |  |  |  |  |  |  |
|---|---|---|---|--|---|---|
| Adapters for Rotor S-4x500 | | | | | | |
| Tube Volume | 1.5/2.0 mL | 1.2–5 mL | 2.6–5 mL | 2.6–7 mL | 3–15 mL | 7–17 mL |
| Max. tube diameter | 11 mm | 11 mm | 13 mm | 13 mm | 16 mm | 17.5 mm |
| Max. vessel height | 43 mm | 118 mm | 118 mm | 118 mm | 118 mm | 118 mm |
| Max. vessel height for use with cap/lid*¹ | 43 mm | 108 mm | 107 mm | 108 mm | 108 mm | 118 mm |
| Adapter |  |  |  |  |  |  |
| Number of vessels per adapter/rotor | 20/80 | 20/80 | 25/100 | 18/72 | 16/64 | 16/64 |
| Bottom shape | flat | flat | flat with rubber mat | flat with rubber mat | flat with rubber mat | flat with rubber mat |
| Centrifugation radius | 165 mm | 168 mm | 168 mm | 168 mm | 168 mm | 168 mm |
| Max. RCF | $2,950 \times g$ | $3,000 \times g$ | $3,000 \times g$ | $3,000 \times g$ | $3,000 \times g$ | $3,000 \times g$ |
| Packing | set of 2 pcs. | set of 2 pcs. | set of 2 pcs. | set of 2 pcs. | set of 2 pcs. | set of 2 pcs. |
| Order no. | 5810 745.004 | 5810 746.000 | 5810 720.001 | 5810 747.007 | 5810 748.003 | 5810 721.008 |

*¹ Please perform a manual test to determine the actual loading capacity.



Ordering information

Description

Order no.

Rotor S-4x500, for 500 mL rectangular buckets or MTP/Flex buckets

incl. 4 x 500 mL rectangular buckets

5895 170.005

without buckets

5895 171.001

Cap for 500 mL rectangular buckets, aerosol-tight, for Rotor A-4-81, set of 2 pcs.

5810 724.007

| | | | | | | |
|---|---------------|---|--|---------------|-----------|-------------------------|
| | | | | | | |
| Eppendorf Tubes® 5.0 mL and 15 mL conical tubes | 50 mL conical | 30–50 mL and 50 mL conical tubes, skirted | 180–250 mL flat/ 175–225 mL conical | 400 mL | 500 mL | MTP, DWP, PCR plates |
| 17.5 mm | 31 mm | 31/29 mm | 62 mm | 81 mm | 83 mm | |
| 121 mm | 122 mm | 121 mm | 133 mm | | 135 mm | 60 mm |
| 119 mm | 116 mm | | | | 135 mm | |
| | | | | | | |
| 12/48 | 5/20 | 5/20 | 1/4 | 1/4 | –/4 | 4/16 (MTP) 1/4 (DWP) |
| conical | conical | flat with rubber mat | flat with rubber mat | flat, rubber | flat | flat with rubber mat |
| 173 mm | 173 mm | 173 mm | 173 mm | 180 mm | 180 mm | 163 mm |
| 3,100 × g | 3,100 × g | 3,100 × g | 3,100 × g | 3,220 × g | 3,220 × g | 2,900 × g |
| set of 2 pcs. | set of 2 pcs. | set of 2 pcs. | set of 2 pcs. | set of 2 pcs. | | set of 2 pcs. |
| 5810 722.004 | 5810 723.000 | 5810 739.004 | 5825 722.000 | 5810 728.002 | – | 5810 742.005 |

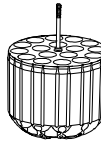

Rotors for Centrifuge 5910 R



Rotor S-4x400

- > High-speed medium capacity swing-bucket rotor with max. speed $5,234 \times g$ (5,100 rpm)
- > Broad range of adapters enables high versatility for tubes and bottles from 0.2 mL to 250 mL
- > Aerosol-tight QuickLock caps for safe centrifugation of hazardous samples optionally available*¹
- > Buckets, caps and adapters are autoclavable

*¹ Aerosol-tightness tested by Public Health England, Porton Down, UK.

| |  |  |  |  |
|---|---|---|--|---|
| Adapters for Rotor S-4x400 | | | | |
| Tube Volume | 1.5 mL/2.0 mL | 12 mm x 75 mm | 4–8 mL | 7.5–1 mL |
| Max. tube diameter | 11 mm | 12 mm | 13 mm | 16 mm |
| Max. vessel height | 39 mm | 188 mm | 119 mm | 122 mm |
| Max. vessel height for use with cap/lid*¹ | | 112 mm | 105 mm | 115 mm |
| Adapter |  |  |  |  |
| Number of vessels per adapter/rotor | 26/104 | 17/68 | 15/60 | 11/44 |
| Bottom shape | open | round | round | round |
| Centrifugation radius | 177 mm | 172 mm | 171 mm | 173 mm |
| Max. RCF | $5,147 \times g$ | $5,002 \times g$ | $4,818 \times g$ | $4,874 \times g$ |
| Packing | set of 2 pcs. | set of 2 pcs. | set of 2 pcs. | set of 2 pcs. |
| Order no. | 5910 708.009 | 5910 711.000 | 5910 703.007 | 5910 704.003 |

*¹ Please perform a manual test to determine the actual loading capacity.



Ordering information

Description

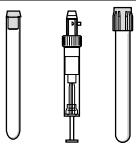
Rotor S-4x400, incl. 400 mL round bucket

Aerosol-tight caps, for Rotor S-4x400, set of 2 pcs.

Order no.

5895 180.000

5910 700.008

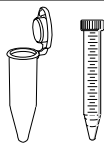


9 mL

17.5 mm

122 mm

115 mm



Eppendorf Tubes® 5.0 mL
and 15 mL conical

17 mm

133 mm

126 mm



50 mL conical, skirted

29 mm

122 mm

120.5 mm

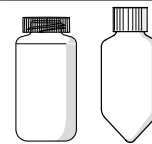


50 mL conical

29 mm

125 mm

117 mm



175–225 mL conical

62 mm

143 mm

137 mm

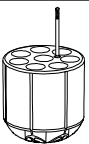


175–250 mL

62 mm

138 mm

129 mm



8/32

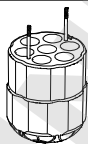
round

173 mm

4,874 × g

set of 2 pcs.

5910 709.005



7/28

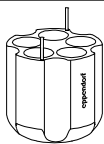
conical

180 mm

5,071 × g

set of 2 pcs.

5910 702.000



3/12

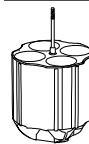
conical

170 mm

4,943 × g

set of 2 pcs.

5910 712.006



4/16

conical

179 mm

5,043 × g

set of 2 pcs.

5910 701.004



1/4

flat

181 mm

5,263 × g

set of 2 pcs.

5910 714.009



1/4

flat

174 mm

5,060 × g

set of 2 pcs.

5910 705.000



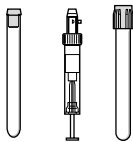
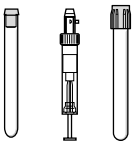
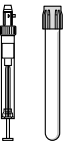

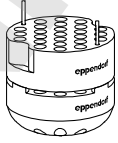
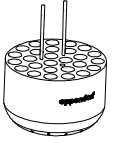
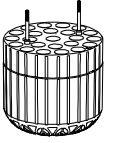
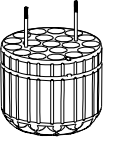

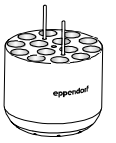
Rotors for Centrifuge 5910 R and Centrifuge 5920 R



Rotor S-4x750

- > Medium capacity swing-bucket rotor with max. speed $4,800 \times g$ (4,700 rpm)
- > Broad range of adapters enables high versatility for tubes and flasks from 0.2 mL to 750 mL and plates
- > Mixed loading with 2 plate buckets and 2 round buckets allows for increased versatility
- > Aerosol-tight QuickLock caps for safe centrifugation of hazardous samples optionally available*¹
- > Buckets, caps and adapters are autoclavable

*¹ Aerosol-tightness tested by Public Health England, Porton Down, UK.

| |  |  |  |  |  |  |
|---|---|---|---|--|---|---|
| Adapters for Rotor S-4x750 | | | | | | |
| Tube Volume | 1.5/2.0 mL | 12 x 75 mm, 5 mL FACS | 2.6–8 mL | 5.5–12 mL | 9 mL | 14 mL |
| Max. tube diameter | 11 mm | 12 mm | 13 mm | 16 mm | 17.5 mm | 17.5 mm |
| Max. vessel height | 39 mm | 120 mm | 121 mm | 125 mm | 117 mm | 106 mm |
| Max. vessel height for use with cap/lid*¹ | 39 mm | 113 mm | 113 mm | 120 mm | 112 mm | 106 mm |
| Adapter |  |  |  |  |  |  |
| Number of vessels per adapter/rotor | 50/200 | 27/108 | 23/92 | 20/80 | 20/80 | 14/56 |
| Bottom shape | flat | round | round | round | round | round |
| Centrifugation radius | 194 mm | 186 mm | 185 mm | 186 mm | 185 mm | 185 mm |
| Max. RCF | $4,800 \times g$ | $4,593 \times g$ | $4,569 \times g$ | $4,594 \times g$ | $4,569 \times g$ | $4,569 \times g$ |
| Packing | set of 2 pcs. | set of 2 pcs. | set of 2 pcs. | set of 2 pcs. | set of 2 pcs. | set of 2 pcs. |
| Order no. | 5825 740.009 | 5825 747.003 | 5825 738.004 | 5825 736.001 | 5825 743.008 | 5825 748.000 |

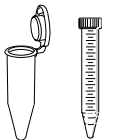

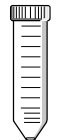



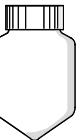

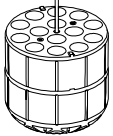
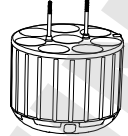
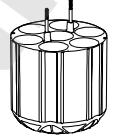
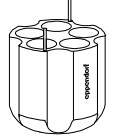
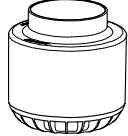
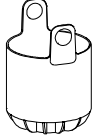


*¹ Exceeding the maximum tube length may reduce the loading capacity of the rotor. Please perform a manual swing-out test before starting the centrifuge run to make sure the tubes do not hit the rotor yoke.

*² Please note that these conical bottles need to be used together with a conical form insert provided by the manufacturer.

*³ 225 mL conical for S-4-104 and S-4x750, 250 mL conical for S-4x1000 with round bucket.

Ordering information

| Description | Order no. |
|---|--------------|
| Rotor S-4x750 | |
| Rotor S-4x750, aerosol-tight, without buckets | 5895 121.004 |
| Rotor S-4x750, aerosol-tight, incl. 4 × 750 mL round buckets | 5895 120.008 |
| Buckets for Rotor S-4x750 | |
| Round buckets for Rotor S-4x750, set of 2 pcs. | 5895 123.007 |
| Round buckets for Rotor S-4x750, set of 4 pcs. | 5895 122.000 |
| Plate bucket (aerosol-tight capable), incl. plate carrier, set of 4 pcs. | 5895 124.003 |
| Plate bucket (aerosol-tight capable), incl. plate carrier, set of 2 pcs. | 5895 125.000 |
| Accessories | |
| Aerosol-tight caps for plate buckets (aerosol-tight capable) , aerosol-tight, for Rotor S-4-104 and Rotor S-4x750, set of 2 pcs. | 5820 748.001 |
| Aerosol-tight caps for 750 mL round buckets , aerosol-tight, for Rotor S-4-104, Rotor S-4x750 and Rotor S-4x1000, set of 2 pcs. | 5820 747.005 |
| Wide-neck bottle , 750 mL, set of 2 pcs. | 5820 708.000 |

| | | | | | | | |
|--|---|---|---|---|--|---|---|
|  |  |  |  |  |  |  |  |
| Eppendorf Tubes® 5.0 mL and 15 mL conical | 30 mL | 50 mL conical | 50 mL conical, skirted | 250 mL flat, 17–225/250 mL conical* ^{2,3} | 500 mL Corning® | 750 mL | MTP, DWP, PCR plates |
| 17 mm | 25 mm | 31 mm | 31 mm | 62 mm | 98 mm | 104 mm | |
| 125 mm | 117 mm | 122 mm | 122 mm | 145 mm | 150 mm | 133 mm | 60 mm |
| 120 mm | 112 mm | 116 mm | 116 mm | 125 mm | | 133 mm | 45 mm |
|  |  |  |  |  |  |  |  |
| 14/56 | 8/32 | 7/28 | 5/20 | 1/4 | 1/4 | 1/4 | 4/16 (MTP) 1/4 (DWP) |
| conical | flat | conical | conical | flat | conical | flat | |
| 188 mm | 180 mm | 187 mm | 177 mm | 183 mm | 186 mm | 185 mm | 161 mm |
| 4,643 × g | 4,445 × g | 4,618 × g | 4,371 × g | 4,519 × g | 4,594 × g | 4,569 × g | 3,976 × g |
| set of 2 pcs. | set of 2 pcs. | set of 2 pcs. | set of 2 pcs. | set of 2 pcs. | set of 2 pcs. | set of 2 pcs. | set of 2 pcs. |
| 5825 734.009 | 5825 755.006 | 5825 733.002 | 5825 732.006 | 5825 741.005 | 5825 745.000 | 5825 744.004 | 5895 125.000 |



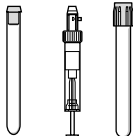
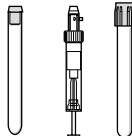
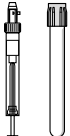
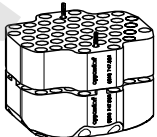
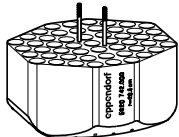
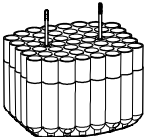
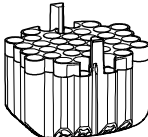
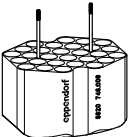
Rotors for Centrifuge 5920 R



Rotor S-4xUniversal-Large

- > Extra high capacity swing-bucket rotor with max. speed $4,402 \times g$ (4,250 rpm)
- > Broad range of adapters enables high versatility for tubes and flasks from 0.2 mL to 750 mL and plates
- > Universal bucket design accommodates both plates and tubes
- > Aerosol-tight Eppendorf QuickLock caps for safe centrifugation of hazardous samples optionally available*¹
- > Buckets, caps and adapters are autoclavable

*¹ Aerosol-tightness tested by Public Health England, Porton Down, UK.

| |  |  |  |  |  |
|--|---|---|--|---|---|
| Adapters for Rotor S-4xUniversal-Large | | | | | |
| Tube Volume | 1.5/2.0 mL | 5 mL FACS | 2.6–8 mL | 5.5–12 mL | 9 mL |
| Max. tube diameter | 11 mm | 12 mm | 13 mm | 16 mm | 17.5 mm |
| Max. vessel height | 39 mm | 113 mm | 110 mm | 110 mm | 136 mm |
| Max. vessel height for use with cap/lid | 39 mm | 82 mm | 107 mm | 106 mm | 130 mm |
| Adapter |  |  |  |  |  |
| Number of vessels per adapter/rotor | 92/368 | 51/204 | 49/196 | 37/148 | 28/112 |
| Bottom shape | flat | round | round | round | round |
| Centrifugation radius | 205 mm | 205 mm | 205 mm | 204 mm | 209 mm |
| Max. RCF | $4,139 \times g$ | $4,140 \times g$ | $4,140 \times g$ | $4,120 \times g$ | $4,200 \times g$ |
| Packing | set of 2 pcs. | set of 2 pcs. | set of 2 pcs. | set of 2 pcs. | set of 2 pcs. |
| Order no. | 5920 747.002 | 5920 742.000 | 5920 739.000 | 5920 738.003 | 5920 746.006 |

















Ordering information

| Description | Order no. |
|--|--------------|
| Rotor S-4xUniversal-Large , incl. buckets | 5895 190.006 |
| Aerosol-tight caps , for Rotor S-4xUniversal-Large, set of 2 pcs. | 5920 752.006 |
| Wide-neck bottle , 750 mL, set of 2 pcs. | 5820 708.000 |

| | | | | | |
|---------------|--|---------------|---------------|---------------------------|-----------------------------|
| | | | | | |
| 14 mL | Eppendorf Tubes® 5.0 mL and 15 mL conical | 30 mL | 50 mL conical | 50 mL conical, skirted | 50 mL Nalgene® Oak Ridge |
| 17.5 mm | 17 mm | 25 mm | 31 mm | 31 mm | 29 mm |
| 123 mm | 131 mm | 117 mm | 131 mm | 141 mm | 132 mm |
| 120 mm | 123 mm | 108 mm | 125 mm | 121 mm | 121 mm |
| | | | | | |
| 24/96 | 24/96 | 12/48 | 10/40 | 7/28 | 12/48 |
| round | conical | flat | conical | conical | round |
| 210 mm | 218 mm | 194 mm | 213 mm | 197 mm | 206 mm |
| 4,240 × g | 4,402 × g | 3,918 × g | 4,301 × g | 3,978 × g | 4,160 × g |
| set of 2 pcs. | set of 2 pcs. | set of 2 pcs. | set of 2 pcs. | set of 2 pcs. | set of 2 pcs. |
| 5920 751.000 | 5920 736.000 | 5920 743.007 | 5920 735.004 | 5920 748.009 | 5920 753.002 |

Rotors for Centrifuge 5920 R



| |  |  |  |  |  |  |  |
|--|---|---|---|---|---|---|---|
| Adapters for Rotor S-4xUniversal-Large | | | | | | | |
| Tube Volume | 250 mL flat, 175–225 mL conical | 250 mL conical (Corning®, Nunc®) | 500 mL Corning® | 500 mL Nalgene® | 750 mL | Micro Fluidic Cards | MTP, DWP, PCR plates |
| Max. tube diameter | 62 mm | 62 mm | 98 mm | 70 mm | 104 mm | – | 116 mm |
| Max. vessel height | 133 mm | 171 mm | 160 mm | 168 mm | 166 mm | 153 mm | 110 mm |
| Max. vessel height for use with cap/lid | 126 mm | | 148 mm | 145 mm | 143 mm | | |
| Adapter |  |  |  |  |  |  |  |
| Number of vessels per adapter/rotor | 2/8 | 1/4 | 1/4 | 1/4 | 1/4 | 3/12 | 5/20 (MTP) 2/8 (DWP) |
| Bottom shape | flat | flat | conical | flat | flat | flat | flat |
| Centrifugation radius | 203 mm | 208 mm | 208 mm | 206 mm | 202 mm | 200 mm | 196 mm |
| Max. RCF | 4,099 × g | 4,200 × g | 4,200 × g | 4,160 × g | 4,079 × g | 4,039 × g | 3,938 × g |
| Packing | set of 2 pcs. | set of 2 pcs. | set of 2 pcs. | set of 2 pcs. | set of 2 pcs. | set of 2 pcs. | set of 2 pcs. |
| Order no. | 5920 740.008 | 5920 750.003 | 5920 744.003 | 5920 745.000 | 5920 741.004 | 5920 749.005 | 5920 737.007 |



Eppendorf Handling Solutions

Liquid Handling
Cell Handling
Sample Handling

To make your job in the lab easier and more efficient – with this goal in mind we are developing products and solutions in the areas of Liquid Handling, Cell Handling, and Sample Handling. Visit the Eppendorf Handling Solutions online sphere and dive into the area of your choice, learn new things, and have fun as well: www.eppendorf.com/handling-solutions



Cell Handling

Discover our comprehensive range of instruments and consumables for the manipulation, cultivation and analysis of cells. For handling cells, in addition to manipulators and injectors, incubators and consumables for cultivation as well as complete bioreactor systems for cell culture applications are also available. Corresponding detection systems are offered as required for subsequent photometric or fluorescence-based analysis.



■ Eppendorf Cell Culture Consumables

Experience a new dimension in cell culture with products that meet your needs.

- > Advanced contamination protection
- > Outstanding optical performance
- > Prevention of edge effect



■ Eppendorf Cell Imaging Consumables

Designed for sophisticated imaging and microscopy applications on expert level.

- > TC treated glass and film surfaces
- > Excellent signal-to-noise ratio
- > Extraordinary planarity



■ Eppendorf μCuvette® G1.0

Perfect tool for measuring high nucleic acid and protein concentrations in small volumes.

- > 1.5 – 10 μL sample volumes
- > Simple cleaning
- > Low self-absorption



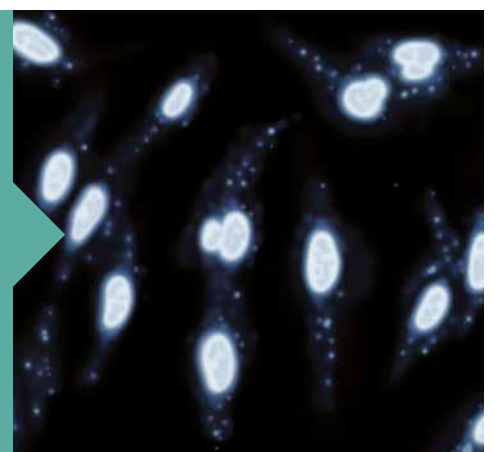
■ Eppendorf BioSpectrometer®

Compact spectrophotometers for measurements in the UV/ Vis and fluorescence range.

- > UV/Vis from 200 to 830 nm
- > Freely selectable wavelengths
- > Temperature controlled

Mycoplasma Detection Methods

Find out challenging tips on
www.eppendorf.com/cellexperts


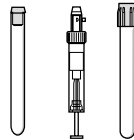
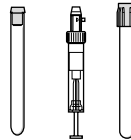
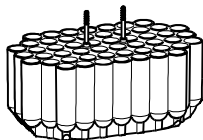
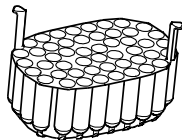
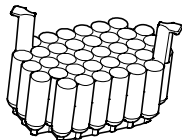


Rotors for Centrifuge 5920 R



Rotor S-4x1000 with high-capacity buckets





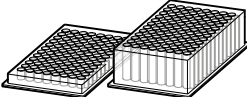
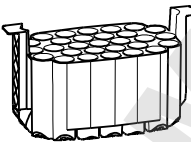
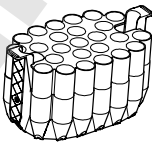
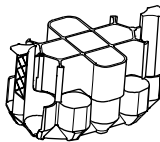
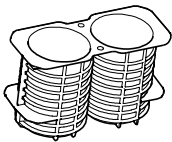

- > Extra high capacity swing-bucket rotor with max. speed $3,153 \times g$ (3,700 rpm)
- > Bucket accommodates both plates and tubes
- > Buckets, caps and adapters are autoclavable

| |  |  |  |
|--|---|--|---|
| Adapters for Rotor S-4x1000 high-capacity buckets | | | |
| Tube Volume | 5 mL FACS | 2.6–8 mL | 5.5–12 mL |
| Max. tube diameter | 12 mm | 13 mm | 16 mm |
| Max. vessel height | 106 mm | 112 mm | 113 mm |
| Adapter |  |  |  |
| Number of vessels per adapter/rotor | 52/204 | 49/196 | 36/144 |
| Bottom shape | round | round | round |
| Centrifugation radius | 204 mm | 204 mm | 199 mm |
| Max. RCF | $3,122 \times g$ | $3,122 \times g$ | $3,046 \times g$ |
| Packing | set of 2 pcs. | set of 2 pcs. | set of 2 pcs. |
| Order no. | 5920 724.002 | 5920 718.002 | 5920 720.007 |



Ordering information

| Description | Order no. |
|--|--------------|
| Rotor S-4x1000 | |
| Rotor S-4x1000, incl. high-capacity buckets | 5895 118.003 |
| Rotor S-4x1000, without buckets | 5895 101.003 |
| Buckets for Rotor S-4x1000 | |
| High-capacity bucket for Rotor S-4x1000, set of 2 pcs. | 5895 107.001 |
| High-capacity bucket for Rotor S-4x1000, set of 4 pcs. | 5895 106.005 |
| Accessories | |
| Plate carrier for high-capacity bucket, set of 2 pcs. | 5920 729.004 |





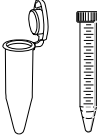
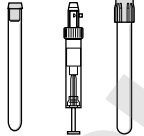
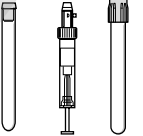
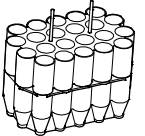
| | | | | |
|---|---|---|--|---|
|  |  |  |  |  |
| 9 mL | Eppendorf Tubes® 5.0 mL and 15 mL conical | 50 mL conical | 250 mL flat, 175–225 mL conical and Nunc® 250 mL conical | MTP, DWP, PCR plates |
| 17.5 mm | 17 mm | 31 mm | 62 mm | |
| 129 mm | 120 mm | 120 mm | 145 mm | 88 mm |
|  |  |  |  |  |
| 29/116 | 27/108 | 13/52 | 2/8 | 6/24 (MTP) 2/8 (DWP) |
| round | conical | conical | flat | flat |
| 204 mm | 205 mm | 206 mm | 200 mm | 185 mm |
| 3,122 × g | 3,138 × g | 3,163 × g | 3,061 × g | 2,832 × g |
| set of 2 pcs. | set of 2 pcs. | set of 2 pcs. | set of 2 pcs. | set of 2 pcs. |
| 5920 722.000 | 5920 716.000 | 5920 715.003 | 5920 717.006 | 5920 729.004 |

Rotors for Centrifuge 5920 R



- Rotor S-4x1000 with plate/tube bucket**
- > High capacity swing-bucket rotor with max. speed $3,076 \times g$ (3,700 rpm)
 - > Bucket accommodates both plates and tubes
 - > Aerosol-tight QuickLock caps for safe centrifugation of hazardous samples optionally available*¹
 - > Buckets, caps and adapters are autoclavable

*¹ Aerosol-tightness tested by Public Health England, Porton Down, UK.

| |  |  |  |  |
|---|---|---|--|---|
| Adapters for Rotor S-4x1000 plate/tube buckets | | | | |
| Tube Volume | 2.6–8 mL | 5.5–12 mL | 9 mL | Eppendorf Tubes® 5.0 mL and 15 mL conical |
| Max. tube diameter | 13 mm | 16 mm | 17.5 mm | 17 mm |
| Max. vessel height | 109 mm | 109 mm | 109 mm | 121 mm |
| Max. vessel height for use with cap/lid*¹ | 108* ² mm | 108* ³ mm | 109* ⁴ mm | |
| Adapter |  |  |  |  |
| Number of vessels per adapter/rotor | 35/140 | 33/132 | 28/112 | 22/88 |
| Bottom shape | round | round | round | conical |
| Centrifugation radius | 201 mm | 200 mm | 200 mm | 201 mm |
| Max. RCF | $3,076 \times g$ | $3,061 \times g$ | $3,061 \times g$ | $3,076 \times g$ |
| Packing | set of 2 pcs. | set of 2 pcs. | set of 2 pcs. | set of 2 pcs. |
| Order no. | 5920 706.004 | 5920 707.000 | 5920 708.007 | 5920 710.001 |

*¹ Please perform a manual test to determine the actual loading capacity.
*² in 25 center pos.

*³ in 23 center pos.
*⁴ in 22 center pos.



Ordering information

| Description | Order no. |
|---|--------------|
| Rotor S-4x1000 | |
| Rotor S-4x1000, incl. plate/tube buckets | 5895 117.007 |
| Rotor S-4x1000, without buckets | 5895 101.003 |
| Buckets for Rotor S-4x1000 | |
| Plate/tube bucket for Rotor S-4x1000, set of 2 pcs. | 5895 105.009 |
| Plate/tube bucket for Rotor S-4x1000, set of 4 pcs. | 5895 104.002 |
| Accessories | |
| Aerosol-tight caps , for S-4x1000 plate/tube bucket and S-4x750 plate bucket, set of 2 pcs. | 5895 111.009 |
| Plate carrier for plate/tube bucket, for Rotor S-4x1000 with plate/tube buckets, Rotor S-4x1000, set of 2 pcs. | 5920 705.008 |



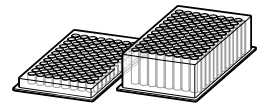
Eppendorf Tubes® 5.0 mL and
15 mL conical
17 mm
121 mm
121 mm



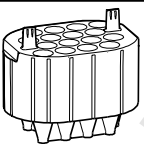
50 mL conical
31 mm
122 mm



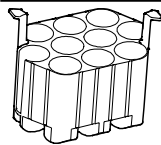
50 mL conical
31 mm
121 mm
121 mm



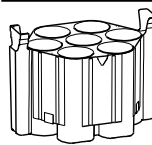
MTP, DWP, PCR plates
104 mm
91 mm



16/64
conical
201 mm
3,076 × g
set of 2 pcs.
5920 712.004



10/40
conical
201 mm
3,076 × g
set of 2 pcs.
5920 709.003



7/28
conical
201 mm
3,076 × g
set of 2 pcs.
5920 711.008



7/28(MTP)
2/8(DWP)
flat
198 mm
3,030 × g
set of 2 pcs.
5920 705.008








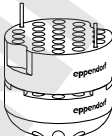
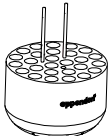
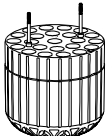
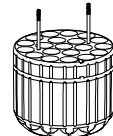
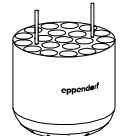
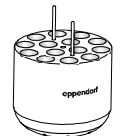
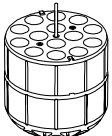
Rotors for Centrifuge 5920 R



Rotor S-4x1000 with round bucket

- > Medium capacity swing-bucket rotor with max. speed $3,413 \times g$ (3,700 rpm)
- > Broad range of adapters enables high versatility for tubes and flasks from 0.2 mL to 1,000 mL and plates
- > Mixed loading with 2 plate buckets and 2 round buckets allows for increased versatility
- > Aerosol-tight QuickLock caps for safe centrifugation of hazardous samples optionally available*¹
- > Buckets, caps and adapters are autoclavable

*¹ Aerosol-tightness tested by Public Health England, Porton Down, UK.

| |  |  |  |  |  |  |  |
|---|---|---|---|---|---|---|---|
| Adapters for Rotor S-4x1000 round buckets | | | | | | | |
| Tube Volume | 1.5/2.0 mL | 12 x 75 mm, 5 mL FACS | 2.6–8 mL | 5.5–12 mL | 9 mL | 14 mL | Eppendorf Tubes® 5.0 mL and 15 mL conical |
| Max. tube diameter | 11 mm | 12 mm | 13 mm | 16 mm | 17.5 mm | 17.5 mm | 17 mm |
| Max. vessel height | 39 mm | 115 mm | 121 mm | 140 mm | 117 mm | 117 mm | 161 mm |
| Max. vessel height for use with cap/lid*¹ | 39 mm | 108 mm | 113 mm | 140 mm | 112 mm | 112 mm | 150 mm |
| Adapter |  |  |  |  |  |  |  |
| Number of vessels per adapter/rotor | 50/200 | 27/108 | 23/92 | 20/80 | 20/80 | 14/56 | 14/56 |
| Bottom shape | flat | round | round | round | round | round | conical |
| Centrifugation radius | 219 mm | 211 mm | 210 mm | 211 mm | 210 mm | 210 mm | 224 mm |
| Max. RCF | $3,352 \times g$ | $3,229 \times g$ | $3,214 \times g$ | $3,229 \times g$ | $3,214 \times g$ | $3,214 \times g$ | $3,428 \times g$ |
| Packing | set of 2 pcs. | set of 2 pcs. | set of 2 pcs. | set of 2 pcs. | set of 2 pcs. | set of 2 pcs. | set of 2 pcs. |
| Order no. | 5825 740.009 | 5825 747.003 | 5825 738.004 | 5825 736.001 | 5825 743.008 | 5825 748.000 | 5825 734.009 |





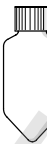






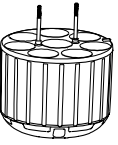
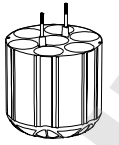
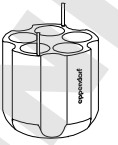

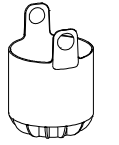



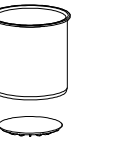
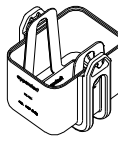
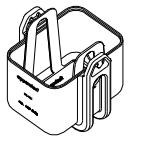
*¹ Exceeding the maximum tube length may reduce the loading capacity of the rotor. Please perform a manual swing-out test before starting the centrifuge run to make sure the tubes do not hit the rotor yoke.

*² Please note that these conical bottles need to be used together with a conical form insert provided by the manufacturer.

*³ 225 mL conical for S-4-104 and S-4x750, 250 mL conical for S-4x1000 with round bucket.

Ordering information

| Description | Order no. |
|--|--------------|
| Rotor S-4x1000 | |
| Rotor S-4x1000 round buckets, aerosol-tight, incl. 4 × 1,000 mL round buckets | 5895 100.007 |
| Rotor S-4x1000, aerosol-tight, without buckets | 5895 101.003 |
| Buckets for Rotor S-4x1000 | |
| Round bucket for Rotor S-4x1000, set of 2 pcs. | 5895 103.006 |
| Round bucket for Rotor S-4x1000, set of 4 pcs. | 5895 102.000 |
| Plate/tube bucket for Rotor S-4x1000, set of 2 pcs. | 5895 105.009 |
| Plate/tube bucket for Rotor S-4x1000, set of 4 pcs. | 5895 104.002 |
| Accessories | |
| Aerosol-tight caps for 750 mL round buckets , aerosol-tight, for Rotor S-4-104, Rotor S-4x750 and Rotor S-4x1000, set of 2 pcs. | 5820 747.005 |
| Aerosol-tight caps , for S-4x1000 plate/tube bucket and S-4x750 plate bucket, set of 2 pcs. | 5895 111.009 |
| Plate carrier for plate/tube bucket , for Rotor S-4x1000 with plate/tube buckets, Rotor S-4x1000, set of 2 pcs. | 5920 705.008 |

| | | | | | | | | | | |
|--|---|---|---|---|---|--|---|---|---|---|
|  |  |  |  |  |  |  |  |  |  |  |
| 30 mL | 50 mL conical | 50 mL conical, skirted | 250 mL flat, 175–225/250 mL conical*2,3 | 500 mL Corning® Nunc® | 500 mL Nalgene® | 600 mL TPP | 750 mL | 1 Liter Nalgene® | | MTP, DWP, PCR plates |
| 25 mm | 31 mm | 31 mm | 62 mm | 98 mm | | 98 mm | 104 mm | 98 mm | | |
| 145 mm | 156 mm | 151 mm | 176 mm | 167 mm | 180 mm | 181 mm | 150 mm | 185 mm | | 104 mm |
| 138 mm | 150 mm | 147 mm | 156 mm | | | | | | | 91 mm |
|  |  |  |  |  |  |  |  |  |  |  |
| 8/32 | 7/28 | 5/20 | 1/4 | 1/4 | 1/4 | 1/4 | 1/4 | 1/4 | 1/4 | 7/28 (MTP) 2/8 (DWP) |
| flat | conical | conical | flat | conical | flat | conical | flat | flat | | flat |
| 210 mm | 223 mm | 209 mm | 214 mm | 218 mm | 221 mm | 224 mm | 216 mm | 218 mm | | 198 mm |
| 3,222 × g | 3,413 × g | 3,199 × g | 3,275 × g | 3,336 × g | 3,382 × g | 3,428 × g | 3,306 × g | 3,336 × g | | 3,030 × g |
| set of 2 pcs. | set of 2 pcs. | set of 2 pcs. | set of 2 pcs. | set of 2 pcs. | set of 2 pcs. | set of 2 pcs. | set of 2 pcs. | set of 2 pcs. | | set of 2 pcs. |
| 5825 755.006 | 5825 733.002 | 5825 732.006 | 5825 741.005 | 5825 745.000 | 5920 703.005 | 5920 701.002 | 5825 744.004 | 5920 700.006 | | 5895 105.009 |

Rotors for Centrifuge 5910 R



Rotor F-48x15

- > High-capacity fixed-angle rotor for 15 mL conical and glass tubes
- > Maximum speed: 5,005 × g (5,500 rpm)
- > Form inserts for 15 mL conical tubes



Rotor FA-30x2

- > 30 places for 1.5/2.0 mL tubes
- > Max. speed: 20,984 × g (max. 13,700 rpm)
- > Eppendorf QuickLock rotor lid for fast lid locking
- > Aerosol-tight for safe centrifugation of hazardous samples*¹
- > Anodized aluminum for high chemical resistance
- > Rotor and lid are autoclavable (121 °C, 20 min)

*¹ Aerosol-tightness tested by Public Health England, Porton Down, UK.

Ordering information

| Description | Order no. |
|--|--------------|
| Rotor F-48x15 , for 40 x 15 mL conical tubes, incl. 48 steel sleeves and adapters | 5895 160.000 |
| Rotor FA-30x2 , incl. aerosol-tight Eppendorf QuickLock® rotor lid | 5895 155.006 |
| Adapter , for 1 tube 0.5 mL, max. Ø 8 mm or microtainer 0.6 mL, max. Ø 8 mm, for all 1.5/2.0 mL rotors, set of 6 pcs. | 5425 716.001 |
| Adapter , for 1 tube 0.4 mL, max. Ø 6 mm, for all 1.5/2.0 mL rotors, set of 6 pcs. | 5425 717.008 |
| Adapter , for 1 PCR tube 0.2 mL, max. Ø 6 mm, for all 1.5/2.0 mL rotors, set of 6 pcs. | 5425 715.005 |



epServices
for premium performance

Centrifuge Performance Plans

An annual inspection and maintenance of centrifuges and rotors by an Eppendorf certified service technician is highly recommended to ensure a safe working environment.

■ ESSENTIAL CHECK

- > Check of all fundamental functions of the product

■ ADVANCED MAINTENANCE

- > Preventive maintenance service to meet manufacturer specifications

■ PREMIUM SERVICE

- > Complete maintenance and repair service agreement solution for your peace of mind

Rotors for Centrifuge 5910 R and Centrifuge 5920 R



Rotor FA-20x5

- > 20 places for Eppendorf Tubes 5.0 mL*²
- > Max. speed: 20,913 × *g* (13,100 rpm)
- > Aerosol-tight*³ Eppendorf QuickLock rotor lid
- > Rotor, lid and adapters are autoclavable (121 °C, 20 min)
- > Anodized aluminum for high chemical resistance

^{*2} For Eppendorf Tubes 5.0 mL with screw cap the capacity is limited to 10 tubes.
^{*3} Aerosol-tightness tested by Public Health England, Porton Down, UK.



Rotor FA-48x2

- > 48 places for 1.5/2.0 mL tubes
- > Max. speed: 21,194 × *g*/13,700 rpm (5920 R)/
22,132 × *g*/14,000 rpm (5910 R)
- > Eppendorf QuickLock rotor lid for fast lid locking
- > Aerosol-tight*³ for safe centrifugation of hazardous samples
- > Anodized aluminum for high chemical resistance
- > Rotor and lid are autoclavable (121 °C, 20 min)

Ordering information

| Description | Order no. |
|--|--------------|
| Rotor FA-20x5 , for 20 Eppendorf Tubes® 5.0 mL, incl. aerosol-tight Eppendorf QuickLock® rotor lid | 5895 130.003 |
| Adapter , for 1 vessel 1.5 – 2.0 mL, for Rotors FA-45-12-17, FA-45-16-17 and FA-45-20-17, set of 4 pcs. | 5820 768.002 |
| Adapter , for 1 cryo tube, for Rotors FA-45-12-17, FA-45-16-17 and FA-45-20-17, set of 4 pcs. | 5820 769.009 |
| Adapter , for 1 HPLC tube, for Rotors FA-45-12-17, FA-45-16-17 and FA-45-20-17, set of 4 pcs. | 5820 770.007 |
| Rotor FA-48x2 , incl. aerosol-tight Eppendorf QuickLock® rotor lid | 5895 135.005 |

Certification Services

Installation Qualification (IQ) and Operational Qualification (OQ) services make sure that temperature accuracy, rotational speed verification and operating time meet manufacturer's specifications.

Over the years, all rotor structures will eventually suffer from fatigue due to stress of high numbers of cycles. If not maintained correctly, surface scratches can lead to microscopic and then to critical cracks. Qualified inspection will detect damages early in order to prevent further equipment failure. Our service includes cleaning, instructions for proper care and visual examination of rotors and adapters

determining if the rotor is safe for further operation or needs to be replaced.

The Performance Plans feature

- > Manufacturer-specific test procedures
- > GLP supporting documentation

Value of service

- > Highest degree of security in your lab
- > Longer service life of the system

> Further information and local offers in your country:
www.eppendorf.com/epServices



Rotors for Centrifuge 5910 R and Centrifuge 5920 R



Rotor FA-6x50

- > High-speed rotor for applications in tubes from 5–50 mL
- > Max. speed 20,130 × *g* (12,100 rpm)
- > Eppendorf QuickLock rotor lid for fast lid locking
- > Aerosol-tight*¹ for safe centrifugation of hazardous samples
- > Low rotor weight (3.2 kg) for easy handling
- > Anodized aluminum for high chemical resistance
- > 45° borehole angle minimizes pellets smear
- > Rotor, lid and adapters are autoclavable

*¹ Aerosol-tightness tested by Public Health England, Porton Down, UK.

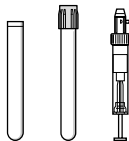
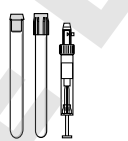
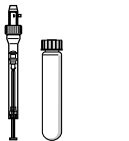
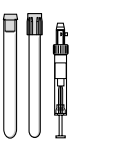


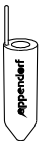



Ordering information

Description

Rotor FA-6x50, aerosol-tight, incl. rotor lid

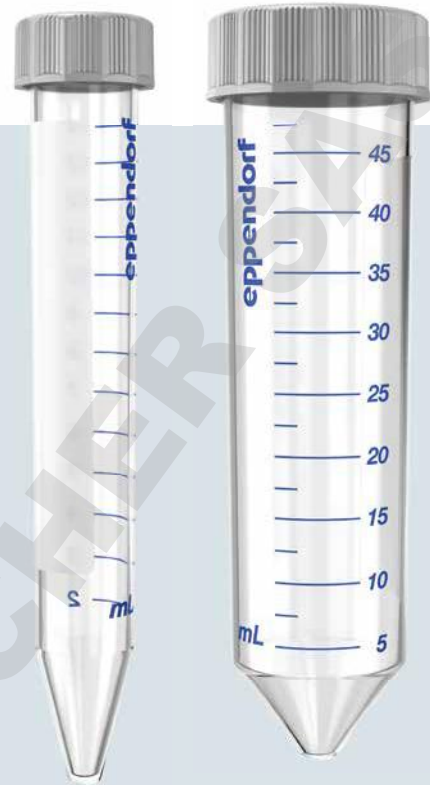
Order no.

5895 150.004






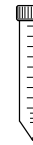



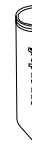

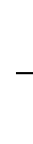
| |  |  |  |  |  |
|--|---|---|--|---|---|
| Adapters for Rotor FA-6x50 | | | | | |
| Tube Volume | 2.6–5 mL | 4–8 mL | 5.5–10 mL | 7.5–12 mL | Eppendorf Tubes® 5.0 mL |
| Max. tube diameter | 13 mm | 13 mm | 16 mm | 16 mm | 17 mm |
| Max. vessel height for use with cap/lid | 119 mm | 119 mm | 119 mm | 119 mm | 121 mm |
| Adapter |  |  |  |  |  |
| Number of vessels per adapter/rotor | 1/6 | 1/6 | 1/6 | 1/6 | 1/6* ¹ |
| Bottom shape | round | round | round | round | conical |
| Centrifugation radius | 120 mm | 120 mm | 120 mm | 120 mm | 121 mm |
| Max. RCF | 19,642 × <i>g</i> | 19,642 × <i>g</i> | 19,642 × <i>g</i> | 19,642 × <i>g</i> | 19,806 × <i>g</i> |
| Packing | set of 2 pcs. | set of 2 pcs. | set of 2 pcs. | set of 2 pcs. | set of 2 pcs. |
| Order no. | 5820 726.008 | 5820 725.001 | 5820 728.000 | 5820 727.004 | 5820 730.005 |

*¹ Eppendorf Tubes® 5.0 mL with screw cap will not fit in this adapter.

Eppendorf Conical Tubes



Whether centrifugation, mixing, or other applications – the Eppendorf Conical Tubes 15 mL and 50 mL will perfectly fit into your workflows. They represent the next step in Eppendorf’s comprehensive system solutions in liquid, sample and cell handling.

| | | | | | |
|--|---|---|---|---|---|
|  |  |  |  |  |  |
| 7–17 mL | 15 mL | 15–18 mL | 20–30 mL | 35 mL | 50 mL conical |
| 17.5 mm | 17 mm | 18 mm | 26 mm | 29 mm | 31 mm |
| 122 mm | 125 mm | 125 mm | 125 mm | 125 mm | 121 mm |
|  |  |  |  |  |  |
| 1/6 | 1/6 | 1/6 | 1/6 | 1/6 | –/6 |
| round | conical | round | round | conical | conical |
| 120 mm | 120 mm | 120 mm | 105 mm | 112 mm | 123 mm |
| 19,642 × g | 19,642 × g | 19,642 × g | 17,187 × g | 18,333 × g | 20,130 × g |
| set of 2 pcs. | set of 2 pcs. | set of 2 pcs. | set of 2 pcs. | set of 2 pcs. | – |
| 5820 729.007 | 5820 717.009 | 5820 720.000 | 5820 721.006 | 5820 722.002 | – |

> More information: www.eppendorf.com/conicals



Eppendorf Consumables



Eppendorf Conical Tubes 15 mL, 50 mL, and Eppendorf Tubes® 5.0 mL

No Compromise! Eppendorf Tubes meet the highest demands of diverse laboratory applications. The outstanding quality and specifications make them ideally suited for cell biology applications as well as for sample preparation protocols in microbiology and molecular biology laboratories.

- > The newly designed screw cap ensures both an outstanding tight sealing and a user-friendly handling
- > The high g-safe® centrifugation stability enables reliable, safe, and fast centrifugation steps
- > Highest sample integrity due to avoidance of any slip agents, plasticizers, and biocides during manufacturing

Eppendorf Plates® 96 and 384

High-performance plates for manual and automated applications.

- > OptiTrack® high-contrast alphanumeric labeling: up to 30% faster sample identification and fewer pipetting errors
- > RecoverMax® well design: Optimized well geometry for maximum sample recovery and excellent mixing properties
- > g-Safe: exceptional centrifugation stability for faster protocols and improved sample quality



> For more information:
www.eppendorf.com/tubes



> For more information:
www.eppendorf.com/dwp

Packages Centrifuge 5910 R and Centrifuge 5920 R

Description

Eppendorf provides a range of different centrifuge packages for Centrifuge 5910 R and Centrifuge 5920 R.

Ordering information

| Description | Max. capacity of conical tubes per rotor | Order no. |
|--|--|--------------|
| Centrifuge 5910 R , refrigerated, with Rotor S-4xUniversal, 230 V/50–60 Hz, incl. universal buckets and adapters for 5 mL/15 mL/50 mL conical tubes and plates* ¹ | 68 x 15 mL/36 x 50 mL | 5942 000.315 |
| Centrifuge 5910 R , refrigerated, with Rotor S-4xUniversal, 230 V/50–60 Hz, incl. universal buckets and adapters for 5 mL/15 mL/50 mL conical tubes, 175 mL–250 mL bottles and plates | 68 x 15 mL/28 x 50 mL | 5942 000.215 |
| Centrifuge 5910 R , refrigerated, with Rotor S-4xUniversal, 230 V/50–60 Hz, incl. universal buckets and adapters for round-bottom tubes with diameter 13/16 mm | 120 x 13 mm/104 x 16 mm | 5942 000.410 |
| Centrifuge 5910 R , refrigerated, with Rotor S-4x750, 230 V/50–60 Hz, incl. round buckets and adapters for 5 mL/15 mL/50 mL conical tubes | 56 x 15 mL/28 x 50 mL | 5942 000.515 |
| Centrifuge 5910 R , refrigerated, with Rotor S-4x500, 230 V/50–60 Hz, incl. rectangular buckets and adapters for 15 mL/50 mL conical tubes | 48 x 15 mL/20 x 50 mL | 5942 000.615 |
| Centrifuge 5910 R , refrigerated, with Rotor S-4x400, 230 V/50–60 Hz, incl. round buckets and adapters for 5 mL/15 mL/50 mL conical tubes | 28 x 15 mL/16 x 50 mL | 5942 000.710 |
| Centrifuge 5920 R , refrigerated, with Rotor S-4xUniversal-Large, 230 V/50–60 Hz, incl. universal buckets and adapters for 15 mL/50 mL conical tubes | 96 x 15 mL/40 x 50 mL | 5948 000.910 |
| Centrifuge 5920 R , refrigerated, with Rotor S-4xUniversal-Large, 230 V/50–60 Hz, incl. universal buckets and adapters for round-bottom tubes with diameter 13/16 mm | 196 x 13 mm/148 x 16 mm | 5948 000.810 |
| Centrifuge 5920 R , refrigerated, with Rotor S-4x1000, 230 V/50–60 Hz, incl. high-capacity buckets and adapters for 15 mL/50 mL conical tubes | 108 x 15 mL/52 x 50 mL | 5948 000.210 |
| Centrifuge 5920 R , refrigerated, with Rotor S-4x1000, 230 V/50–60 Hz, incl. round buckets and adapters for 15 mL/50 mL conical tubes | 56 x 15 mL / 28 x 50 mL | 5948 000.315 |
| Centrifuge 5920 R , refrigerated, with Rotor S-4x1000, 230 V/50–60 Hz, incl. plate/tube buckets and adapters for 15 mL/50 mL conical tubes* ² | 88 x 15 mL/40 x 50 mL | 5948 000.410 |
| Centrifuge 5920 R , refrigerated, with Rotor S-4x1000, 230 V/50–60 Hz, incl. plate/tube buckets and adapters for round-bottom tubes with diameter 13/16 mm* ³ | 140 x 13 mm/132 x 16 mm | 5948 000.615 |

*¹ When used with aerosol-tight caps the max. capacity is reduced to 20 x 50 mL (5 x 50 mL per bucket)

*² These 15/50 mL adapters are not compatible with aerosol-tight caps. Please refer to page 22/23 for dedicated 15/50 mL adapters for aerosol-tight use.

*³ Aerosol-tight caps reduce capacity to 100 x 13 mm/92 x 16 mm per rotor.

Eppendorf Centrifuge 5910 R and Centrifuge 5920 R

Technical specifications

| Model | Centrifuge 5910 R | Centrifuge 5920 R |
|--|---|---|
| Max. RCF | | |
| > with fixed-angle rotor | 22,132 × <i>g</i> | 21,194 × <i>g</i> |
| > with swing-bucket rotor | 5,234 × <i>g</i> | 4,800 × <i>g</i> |
| Speed | 100–14,000 rpm (10 rpm steps) | 100–13,700 rpm (10 rpm steps) |
| Max. capacity | 4 × 750 mL/4 × 5 MTP | 4 × 1,000 mL/4 × 7 MTP |
| Acceleration/braking ramps | 10/10 | 10/10 |
| Number of programs | 99 (5 program keys) | 99 (5 program keys) |
| Timer | 10 s to 99 h 59 min, with continuous run function, short-spin | 10 s to 99 h 59 min, with continuous run function, short-spin |
| Cooling | refrigerated | refrigerated |
| Temperature control range | –11 °C to 40 °C | –11 °C to 40 °C |
| Noise level | | |
| Rotor FA-6x50 | <59 dB(A) | <60 dB(A) |
| Rotor S-4x750 | <57 dB(A) | – |
| Rotor S-4xUniversal | <53 dB(A) | – |
| Rotor S-4xUniversal-Large | – | <55 dB(A) |
| Power supply | 230 V, 50–60 Hz | 230 V, 50–60 Hz |
| Max. power consumption | 1,650 W | 1,650 W |
| Dimensions (W × D × H) | 72 × 66 × 37 cm | 74 × 71 × 40 cm |
| Footprint (dimensions w/o front panel, WxD) | 72 × 62 cm | 74 × 67 cm |
| Height (with open lid) | 85 cm | 94 cm |
| Weight w/o accessories | 109 kg | 139 kg |

Technical specifications are subject to change. Errors and omissions excepted.

Ordering information

| Description | Order no. |
|---|--------------|
| Centrifuge 5910 R , refrigerated, 230 V/50–60 Hz | 5942 000.010 |
| Centrifuge 5920 R , refrigerated, 230 V/50–60 Hz | 5948 000.010 |

Your local distributor: www.eppendorf.com/contact
 Eppendorf AG · Barkhausenweg 1 · 22339 Hamburg · Germany
eppendorf@eppendorf.com · www.eppendorf.com

www.eppendorf.com/centrifugation