

General Lab Products



The Next Benchmark

Eppendorf Centrifuge 5910 R and Centrifuge 5920 R



»Eppendorf – A New Spin on Centrifugation.«

Whether you choose the new Centrifuge 5910 R with great versatility or the well established Centrifuge 5920 R with more capacity, both instruments follow the same extremely high Eppendorf standards in temperature management, safety and convenience.



Advanced temperature management

Temperature management is much more than just cooling. Eppendorf offers state-of the art hardware and software features for energy efficiency and sample protection. We have thought of everything so that you don't have to worry about your samples.

> See page 4 for more information.

Innovative safety features

Eppendorf centrifuges have a reputation of being an essential workhorse in the lab. Operation is simple, seamless and safety comes as standard. Automatic rotor recognition and built-in imbalance sensors protect the centrifuge, your samples and most importantly – you.

> See page 4 for more information.

Excellent user convenience

The user is at the center of all our efforts and optimization measures. Centrifuge 5910 R and Centrifuge 5920 R have been engineered to be extremely quiet and handling is convenient. Eppendorf has taken all the measurements to make everyday work more enjoyable.

> See page 5 for more information.

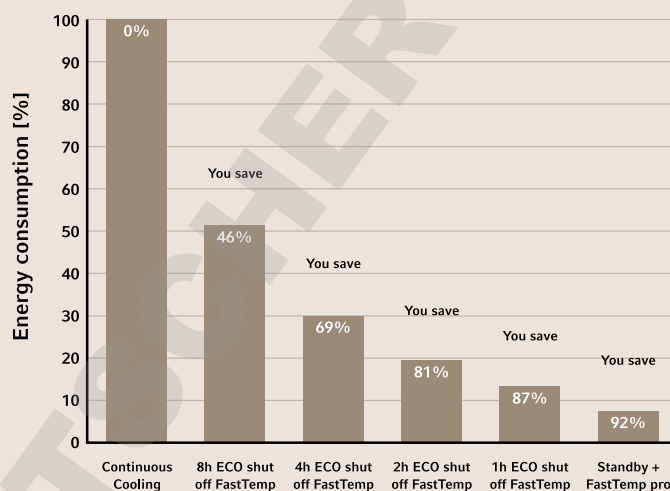
Centrifuge 5910 R and Centrifuge 5920 R

Advanced temperature management

Eppendorf developed the Dynamic Compressor Control (DCC). Unlike other compressors which switch back and forth between 0% and 100% performance output, DCC allows for a constant and smooth temperature regulation. This results in a precise cooling performance and the set temperature is kept stable at all time.

In addition to the well-known FastTemp function for super fast pre-cooling, both instruments include the new FastTemp pro® software option. This feature allows for automated pre-cooling based on pre-programmable time and date. Simply turn the centrifuge into standby mode when you leave your lab and let FastTemp pro take care of pre-cooling in the morning so you don't have to. This saves you more than 90% of energy over night and programming is super easy.

Centrifuge 5920 R: Energy saving overnight with ECO shut-off and FastTemp pro®



Innovative safety features

Centrifuge 5910 R and Centrifuge 5920 R have an automatic rotor recognition. This feature detects a newly inserted rotor and automatically limits the centrifuge speed to the rotor's maximum permissible value.

When handling substances that pose a health hazard it is highly recommended to use aerosol-tight fixed-angle rotors with Eppendorf QuickLock® lids or swing-bucket rotors in combination with Eppendorf QuickLock caps.



- > Automatic rotor recognition and imbalance detection for maximum operational safety
- > Sturdy motor driven lid locks to ensure secure operation
- > Not one but two gas springs to support the lid
- > Aerosol-tight rotors and buckets to avoid contamination

Centrifuge 5910 R and Centrifuge 5920 R

Excellent user convenience

For ergonomic lid operation Eppendorf designed the soft-touch lid closure system. There is no need to exert unnecessary force when closing the centrifuge lid. In combination with a low opening height you can close the centrifuge with ease.

Centrifuge 5910 R and Centrifuge 5920 R feature an advanced operation system that comes with an easy to use interface to make the operation intuitive and more enjoyable. The multilingual operation menu includes 5 program keys for easy access to your routine programs.



- > Soft-touch lid for stress-free instrument closing
- > Low access height for easy loading and unloading
- > Low noise level to improve your work environment
- > Large display and intuitive operating system
- > 5 program keys for easy access to routine programs



Feature	Centrifuge 5910 R	Centrifuge 5920 R
1,000 mL bottles	–	4
750 mL bottles	4	4
250 mL bottles	4	8
50 mL conical tubes	36	52
5 mL and 15 mL conical tubes	68	108
1.5 mL and 2.0 mL micro tubes	200	368
BD Vacutainer® CPT™ (16 mm x 125 mm/8 mL)	28	80
16 mm blood tubes (7.5 mL–12 mL)	104	148
13 mm blood tubes (4 mL–8 mL)	120	196
MTP/DWP	20/4	28/8
Universal adapters for conical tubes, plates and bottles	■	–
Dual use of plates and tubes in one rotor bucket	■	■
Plate rotor options for MTP, PCR or DWP	■	■
Fixed-angle rotors for high-speed applications	■	■
Dimensions (W x D x H)	72 x 66 x 37 cm	74 x 71 x 40 cm
Height (with open lid)	85 cm	94 cm
Weight (w/o accessories)	109 kg	139 kg

Centrifuge 5910 R – Great Versatility



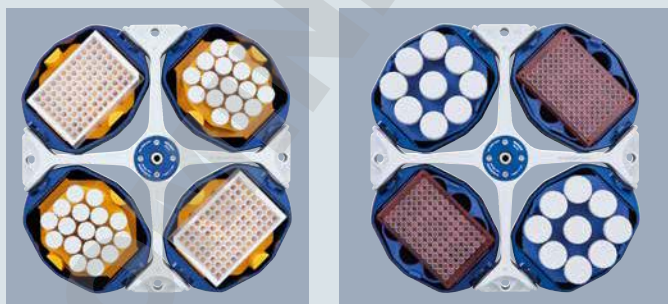
Centrifuge 5910 R and its new swing-bucket rotor S-4xUniversal offer great versatility. The new universal adapters accommodate bottles, plates and more 15 mL or 50 mL conical tubes than standard 3 Liter multipurpose centrifuges. No need to change rotor or rotor buckets. This improves handling and saves time.

Great versatility for all your applications

- > Swing-bucket rotors and adapters accommodate tubes and bottles from 0.2 mL to 750 mL
- > Plate rotor options for centrifugation of all types of MTP, PCR or deepwell plates (DWP)
- > Fixed-angle rotors for high-speed molecular biology applications in tubes from 0.2 mL to 50 mL
- > High centrifugation speed of up to $22,132 \times g$ (14,000 rpm)

Super quiet operation

- > Centrifuge 5910 R designed to operate at low noise levels for a relaxing work environment
- > Low noise aerodynamic swing-bucket rotor and cooling fan design
- > Most quiet multipurpose centrifuge within the Eppendorf product range



New versatile universal adapters

Three innovative universal adapters can spin a selection of tubes, bottles and plates:

- > Adapter 1: 5.0 mL and 15 mL conical tubes, DWP, MTP
- > Adapter 2: 50 mL conical tubes, MTP
- > Adapter 3: 50 mL conical tubes, 250 mL bottles, MTP



> More information:
www.eppendorf.com/centrifuge-5910R

Centrifuge 5920 R – More Capacity



As awarded by The Chicago Athenaeum: Museum of Architecture and Design.

Centrifuge 5920 R delivers extraordinary high capacity in a very compact and ergonomic product design. It has similar dimensions as competing refrigerated 3 Liter models and yet features a superior capacity of up to 4 × 1,000 mL; thus making it the ideal instrument for high-throughput applications.

More Capacity for higher throughput

- > Swing-bucket rotors accommodate tubes and bottles from 0.2 mL to 1,000 mL
- > Fixed-angle rotors for high-speed molecular biology applications in tubes from 0.2 mL to 50 mL
- > Plate rotor options for centrifugation of all types of MTP, PCR or DWP

Rotor S-4x1000 for 1 liter bottles

- > Round buckets accommodate standard 1 liter Nalgene® bottles setting a new standard in the table top centrifuge segment
- > 4 liter capacity to process a higher volume in fewer runs
- > Range of adapters for tubes and plates available
- > Maximum rcf at 3,413 × g



> More information:
www.eppendorf.com/centrifuge-5920R



Overview of Swing-Buckets Rotors



Model	Rotor S-4xUniversal-Large	Rotor S-4x1000 high-capacity buckets	Rotor S-4x1000 plate/tube buckets	Rotor S-4x1000 round buckets
Positioning	Extra high capacity	Extra high capacity	High capacity	Medium capacity, compatible with 1 Liter bottle
5910 R				
5920 R	■	■	■	■
Universal bucket	yes	no	no	no
Aerosol-tightness	yes	no	yes	yes
Max. capacity	4 × 750 mL	8 × 250 mL	40 × 50 mL	4 × 1,000 mL
Max. RCF	4,402 × <i>g</i>	3,153 × <i>g</i>	3,076 × <i>g</i>	3,413 × <i>g</i>
Max. speed	4,250 rpm	3,700 rpm	3,700 rpm	3,700 rpm
1.5/2.0 mL micro tube	368			200
Eppendorf Tubes® 5.0 mL and 15 mL conical	96	108	88	56
50 mL conical	40	52	40	28
13 mm blood tube	196	196	140	92
16 mm blood tube	148	144	132	80
750 mL bottle	4			4
1,000 mL bottle				4
MTP/DWP	20/8	24/8	28/8	28/8

Advanced Rotor Design – Swing-Bucket Rotors



Rotor buckets for tubes and plates (selected rotors only)

Advantages:

- > Time saving: No need to exchange buckets
- > Cost saving: No need for separate plate buckets
- > Space saving: No need to store different buckets

The illustrated Rotor S-4xUniversal (Centrifuge 5910 R) additionally comes with »universal adapters« that support multiple plate and tube formats. Your benefit: Even more savings!



Rotor S-4xUniversal	Rotor S-4x750	Rotor S-4x500	Rotor S-4x400
High capacity and versatility	Medium capacity, high speed	Medium capacity	Medium capacity, high speed
■	■	■	■
yes	no	no	no
yes	yes	yes	yes
4 x 750 mL	4 x 750 mL	4 x 500 mL	4 x 250 mL
4,347 x g	4,800 x g	3,220 x g	5,263 x g
4,500 rpm	4,700 rpm	4,000 rpm	5,100 rpm
68	200	96	104
36	56	48	28
120	28	20	16
104	92	100	60
4	80	64	44
20/4	4		
	16/4	16/4	



Aerosol-tight Eppendorf QuickLock® caps

- > Significantly improved handling, easy operation with one or two hands
- > Handle allows the closed bucket to be carried to the biosafety cabinet where it can be opened in a safe environment
- > Aerosol-tightness has been tested and verified by Public Health England, Porton Down, UK

Overview of Fixed-Angle Rotors



Model	Rotor FA-6x250*1	Rotor FA-6x50	Rotor FA-20x5
Positioning	Processing of cells in higher volumes at high speed	Molecular applications in tubes up to 50 mL conical	Applications in Eppendorf Tubes 5.0 mL
5910 R	■	■	■
5920 R	■	■	■
Aerosol-tightness	yes	yes	yes
Max. capacity	6 × 250 mL	6 × 50 mL	20 × 5 mL
Max. RCF		20,130 × <i>g</i>	20,913 × <i>g</i>
Max. speed		12,100 rpm	13,100 rpm
1.5/2.0 mL micro tube		6	20
Eppendorf Tubes 5.0 mL and 15 mL conical		6	20/0
50 mL conical		6	
250 mL	6		

*1 from Q4/2018.

Advanced Rotor Design – Fixed-Angle Rotors



Low rotor weight

The fixed-angle rotors of Eppendorf are among the lightest in the industry to improve handling and operational safety. Light-weight rotors cause less wear and tear on the motor and allow for faster acceleration and braking times.

Cross section of Rotor FA-6x50 (6 × 50 mL conical) showing the light-weight design. All metal not needed for safety or performance is hollowed out to reduce weight and improve handling.



Rotor FA-48x2	Rotor FA-30x2	Rotor F-48x15
High-throughput applications in Eppendorf Tubes 1.5/2.0 mL	High-throughput applications in Eppendorf Tubes 1.5/2.0 mL	High-capacity fixed-angle rotor for 15 mL conical and glass tubes
■	■	■
■	-	-
yes	yes	
48 × 2 mL	30 × 2 mL	40 × 15 mL
21,194 × <i>g</i> (5920 R)/22,132 × <i>g</i> (5910 R)	20,984 × <i>g</i>	5,005 × <i>g</i>
13,700 rpm (5920 R)/14,000 rpm (5910 R) rpm	13,700 rpm	5,500 rpm
48	30	
		0/40

Eppendorf QuickLock® lids for ergonomic lid locking

Our aerosol-tight QuickLock rotors close with only ¼ of a turn. This not only saves you time during every day use, it also takes repetitive stress off your wrist.

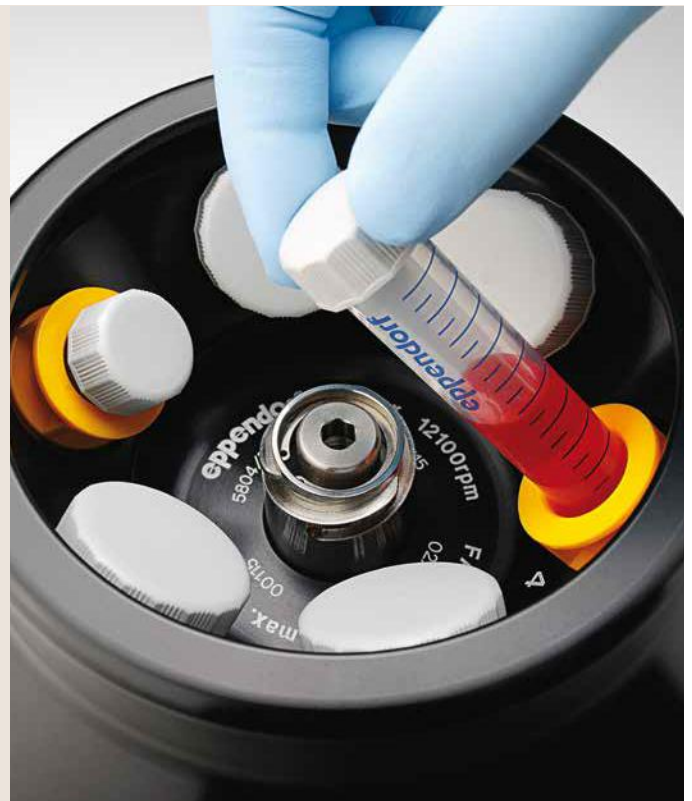
Superior temperature control

Aluminum, with its high heat conductivity, allows fast pre-cooling and accurate temperature control in refrigerated centrifuges.

Perfect fit with Eppendorf Conical Tubes 15 mL and 50 mL

The Eppendorf Conical Tubes are characterized by an outstanding centrifugation stability of up to 19,500 × *g**2. This makes them suited for a broad range of applications.

*2 Test conditions: Rotor FA-45-6-30 in Eppendorf Centrifuge 5810 R (using a suitable centrifuge adapter for 15 mL tube), sample: Saline solution (density: 1.0 g/mL), controlled centrifugation temp.: 25 °C, centrifugation time: 90 min



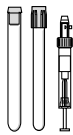
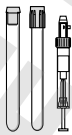

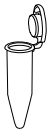


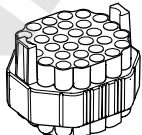
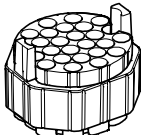
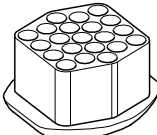
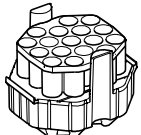
Rotors for Centrifuge 5910 R



Rotor S-4xUniversal

- > High capacity swing-bucket rotor with max. speed $4,347 \times g$ (4,500 rpm)
- > Broad range of adapters enables high versatility for tubes and flasks from 4 mL to 750 mL and plates
- > Universal bucket design accommodates both plates and tubes
- > Universal adapters accommodate selective plate formats and conical tubes
- > Aerosol-tight QuickLock caps for safe centrifugation of hazardous samples optionally available*¹
- > Buckets, caps and adapters are autoclavable

*¹ Aerosol-tightness tested by Public Health England, Porton Down, UK.

Adapters for Rotor S-4xUniversal						
Tube Volume	4–8 mL	7.5–12 mL	9 mL	Eppendorf Tubes® 5.0 mL	15 mL conical	MTP, DWP
Max. tube diameter	13 mm	16 mm	17.5 mm	17 mm	17 mm	
Max. vessel height	119 mm	120 mm	120 mm	124 mm	124 mm	64 mm
Max. vessel height for use with cap/lid*¹	117 mm	118 mm	118 mm	122 mm	122 mm	* ²
Adapter						
Number of vessels per adapter/rotor	30/120	26/104	21/84	17/68	17/68	1/4
Bottom shape	round	round	round	conical		flat
Centrifugation radius	190 mm	195 mm	188 mm	191 mm		143 mm
Max. RCF	$4,302 \times g$	$4,415 \times g$	$4,256 \times g$	$4,324 \times g$		$3,237 \times g$
Packing	set of 2 pcs.	set of 2 pcs.	set of 2 pcs.	set of 2 pcs.		
Order no.	5910 755.007	5910 754.000	5910 762.003		5910 752.008	

*¹ Please perform a manual test to determine the actual loading capacity.

*² Aerosol-tight caps compatible with MTP, DWP 96 500 µl, DWP 384 200 µl. Aerosol-tight caps not compatible with DWP 96 1,000 µl and 2,000 µl.

*³ When used with aerosol-tight caps the max. capacity is reduced to 20 x 50 mL (5 x 50 mL per adapter).



Rotor S-4xUniversal brings outstanding versatility to those customers who need to spin both tubes and plates. Three new innovative »universal adapters« can spin selective conical tube and plate formats:

> Eppendorf Tubes 5.0 mL/15 mL conical/DWP

> 50 mL conical/MTP

> 50 mL conical/250 mL flat/MTP

For customers who need either stacking capability, higher speed or aerosol-tight centrifugation of certain plate formats, a separate plate carrier is available.

Ordering information

Description

Rotor S-4xUniversal, incl. universal buckets

Aerosol-tight caps, for Rotor S-4xUniversal, set of 2 pcs.


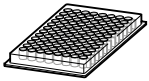

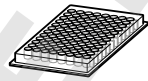
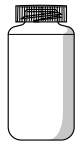



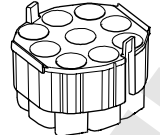

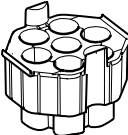


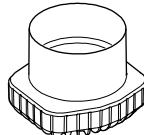
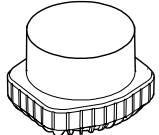

Wide-neck bottle, 750 mL, set of 2 pcs.

Order no.

5895 200.001

5910 750.005

5820 708.000

							
50 mL conical	Microplate 96/384 wells	50 mL conical	Microplate 96/384 wells	250 mL flat, 175–225 mL conical	500 mL Corning®	750 mL	MTP, DWP, PCR plates
29 mm		62 mm		62 mm	96 mm	102 mm	
116*3 mm	16 mm	124 mm	16 mm	146 mm	148 mm	139 mm	88 mm
116*3 mm		121 mm		139 mm		135 mm	60 mm
							
9/36	1/4	7/28	1/4	1/4	1/4	1/4	5/20
conical	flat	conical	flat	flat	conical	flat	flat
192 mm	115 mm	191 mm	115 mm	187 mm	187 mm	188 mm	170 mm
4,347 × g	2,604 × g	4,324 × g	2,604 × g	4,234 × g	4,234 × g	4,256 × g	3,849 × g
set of 2 pcs.	set of 2 pcs.	set of 2 pcs.			set of 2 pcs.	set of 2 pcs.	set of 2 pcs.
5910 769.008		5910 751.001			5910 760.000	5910 757.000	5910 753.004

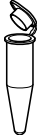
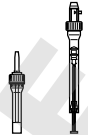
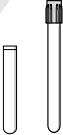
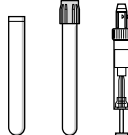
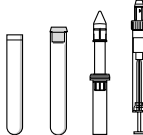
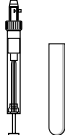

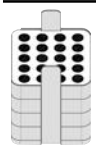
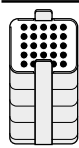
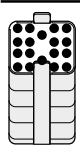
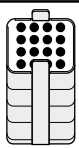
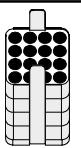
Rotors for Centrifuge 5910 R



Rotor S-4x500

- > Medium capacity swing-bucket rotor with max. speed $3,220 \times g$ (4,000 rpm)
- > Rotor S-4x500 accommodates tubes and bottles from 0.2 mL to 500 mL as well as plates
- > Aerosol-tight caps for safe centrifugation of hazardous samples optionally available*¹
- > Mixed loading with 2 plate buckets and 2 rectangular buckets allows for increased versatility
- > Buckets, caps and adapters are autoclavable

*¹ Aerosol-tightness tested by Public Health England, Porton Down, UK.

						
Adapters for Rotor S-4x500						
Tube Volume	1.5/2.0 mL	1.2–5 mL	2.6–5 mL	2.6–7 mL	3–15 mL	7–17 mL
Max. tube diameter	11 mm	11 mm	13 mm	13 mm	16 mm	17.5 mm
Max. vessel height	43 mm	118 mm	118 mm	118 mm	118 mm	118 mm
Max. vessel height for use with cap/lid*¹	43 mm	108 mm	107 mm	108 mm	108 mm	118 mm
Adapter						
Number of vessels per adapter/rotor	20/80	20/80	25/100	18/72	16/64	16/64
Bottom shape	flat	flat	flat with rubber mat	flat with rubber mat	flat with rubber mat	flat with rubber mat
Centrifugation radius	165 mm	168 mm	168 mm	168 mm	168 mm	168 mm
Max. RCF	$2,950 \times g$	$3,000 \times g$	$3,000 \times g$	$3,000 \times g$	$3,000 \times g$	$3,000 \times g$
Packing	set of 2 pcs.	set of 2 pcs.	set of 2 pcs.	set of 2 pcs.	set of 2 pcs.	set of 2 pcs.
Order no.	5810 745.004	5810 746.000	5810 720.001	5810 747.007	5810 748.003	5810 721.008

*¹ Please perform a manual test to determine the actual loading capacity.



Ordering information

Description

Order no.

Rotor S-4x500, for 500 mL rectangular buckets or MTP/Flex buckets

incl. 4 x 500 mL rectangular buckets

5895 170.005

without buckets

5895 171.001

Cap for 500 mL rectangular buckets, aerosol-tight, for Rotor A-4-81, set of 2 pcs.

5810 724.007

Eppendorf Tubes® 5.0 mL and 15 mL conical tubes	50 mL conical	30–50 mL and 50 mL conical tubes, skirted	180–250 mL flat/ 175–225 mL conical	400 mL	500 mL	MTP, DWP, PCR plates
17.5 mm	31 mm	31/29 mm	62 mm	81 mm	83 mm	
121 mm	122 mm	121 mm	133 mm		135 mm	60 mm
119 mm	116 mm				135 mm	
12/48	5/20	5/20	1/4	1/4	–/4	4/16 (MTP) 1/4 (DWP)
conical	conical	flat with rubber mat	flat with rubber mat	flat, rubber	flat	flat with rubber mat
173 mm	173 mm	173 mm	173 mm	180 mm	180 mm	163 mm
3,100 × g	3,100 × g	3,100 × g	3,100 × g	3,220 × g	3,220 × g	2,900 × g
set of 2 pcs.	set of 2 pcs.	set of 2 pcs.	set of 2 pcs.	set of 2 pcs.		set of 2 pcs.
5810 722.004	5810 723.000	5810 739.004	5825 722.000	5810 728.002	–	5810 742.005

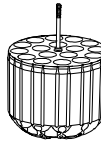

Rotors for Centrifuge 5910 R



Rotor S-4x400

- > High-speed medium capacity swing-bucket rotor with max. speed $5,234 \times g$ (5,100 rpm)
- > Broad range of adapters enables high versatility for tubes and bottles from 0.2 mL to 250 mL
- > Aerosol-tight QuickLock caps for safe centrifugation of hazardous samples optionally available*¹
- > Buckets, caps and adapters are autoclavable

*¹ Aerosol-tightness tested by Public Health England, Porton Down, UK.

				
Adapters for Rotor S-4x400				
Tube Volume	1.5 mL/2.0 mL	12 mm x 75 mm	4–8 mL	7.5–1 mL
Max. tube diameter	11 mm	12 mm	13 mm	16 mm
Max. vessel height	39 mm	188 mm	119 mm	122 mm
Max. vessel height for use with cap/lid*¹		112 mm	105 mm	115 mm
Adapter				
Number of vessels per adapter/rotor	26/104	17/68	15/60	11/44
Bottom shape	open	round	round	round
Centrifugation radius	177 mm	172 mm	171 mm	173 mm
Max. RCF	$5,147 \times g$	$5,002 \times g$	$4,818 \times g$	$4,874 \times g$
Packing	set of 2 pcs.	set of 2 pcs.	set of 2 pcs.	set of 2 pcs.
Order no.	5910 708.009	5910 711.000	5910 703.007	5910 704.003

*¹ Please perform a manual test to determine the actual loading capacity.



Ordering information

Description

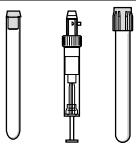
Rotor S-4x400, incl. 400 mL round bucket

Aerosol-tight caps, for Rotor S-4x400, set of 2 pcs.

Order no.

5895 180.000

5910 700.008

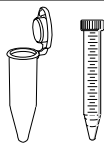


9 mL

17.5 mm

122 mm

115 mm



Eppendorf Tubes® 5.0 mL
and 15 mL conical

17 mm

133 mm

126 mm



50 mL conical, skirted

29 mm

122 mm

120.5 mm

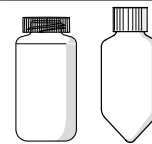


50 mL conical

29 mm

125 mm

117 mm



175–225 mL conical

62 mm

143 mm

137 mm

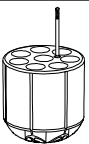


175–250 mL

62 mm

138 mm

129 mm



8/32

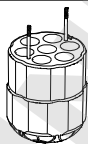
round

173 mm

4,874 × g

set of 2 pcs.

5910 709.005



7/28

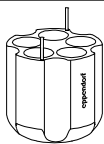
conical

180 mm

5,071 × g

set of 2 pcs.

5910 702.000



3/12

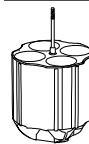
conical

170 mm

4,943 × g

set of 2 pcs.

5910 712.006



4/16

conical

179 mm

5,043 × g

set of 2 pcs.

5910 701.004



1/4

flat

181 mm

5,263 × g

set of 2 pcs.

5910 714.009



1/4

flat

174 mm

5,060 × g

set of 2 pcs.

5910 705.000



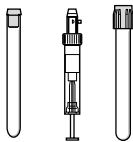
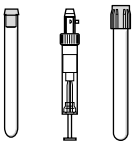
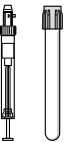

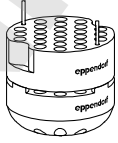
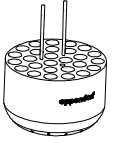
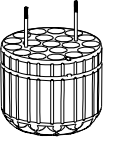

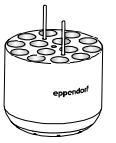
Rotors for Centrifuge 5910 R and Centrifuge 5920 R



Rotor S-4x750

- > Medium capacity swing-bucket rotor with max. speed $4,800 \times g$ (4,700 rpm)
- > Broad range of adapters enables high versatility for tubes and flasks from 0.2 mL to 750 mL and plates
- > Mixed loading with 2 plate buckets and 2 round buckets allows for increased versatility
- > Aerosol-tight QuickLock caps for safe centrifugation of hazardous samples optionally available*¹
- > Buckets, caps and adapters are autoclavable

*¹ Aerosol-tightness tested by Public Health England, Porton Down, UK.

						
Adapters for Rotor S-4x750						
Tube Volume	1.5/2.0 mL	12 x 75 mm, 5 mL FACS	2.6–8 mL	5.5–12 mL	9 mL	14 mL
Max. tube diameter	11 mm	12 mm	13 mm	16 mm	17.5 mm	17.5 mm
Max. vessel height	39 mm	120 mm	121 mm	125 mm	117 mm	106 mm
Max. vessel height for use with cap/lid*¹	39 mm	113 mm	113 mm	120 mm	112 mm	106 mm
Adapter						
Number of vessels per adapter/rotor	50/200	27/108	23/92	20/80	20/80	14/56
Bottom shape	flat	round	round	round	round	round
Centrifugation radius	194 mm	186 mm	185 mm	186 mm	185 mm	185 mm
Max. RCF	$4,800 \times g$	$4,593 \times g$	$4,569 \times g$	$4,594 \times g$	$4,569 \times g$	$4,569 \times g$
Packing	set of 2 pcs.	set of 2 pcs.	set of 2 pcs.	set of 2 pcs.	set of 2 pcs.	set of 2 pcs.
Order no.	5825 740.009	5825 747.003	5825 738.004	5825 736.001	5825 743.008	5825 748.000

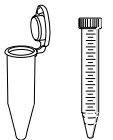

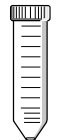



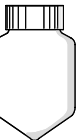

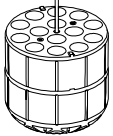
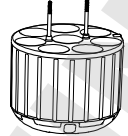
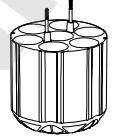
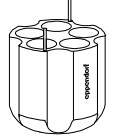
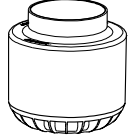
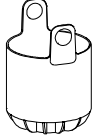


*¹ Exceeding the maximum tube length may reduce the loading capacity of the rotor. Please perform a manual swing-out test before starting the centrifuge run to make sure the tubes do not hit the rotor yoke.

*² Please note that these conical bottles need to be used together with a conical form insert provided by the manufacturer.

*³ 225 mL conical for S-4-104 and S-4x750, 250 mL conical for S-4x1000 with round bucket.

Ordering information

Description	Order no.
Rotor S-4x750	
Rotor S-4x750, aerosol-tight, without buckets	5895 121.004
Rotor S-4x750, aerosol-tight, incl. 4 × 750 mL round buckets	5895 120.008
Buckets for Rotor S-4x750	
Round buckets for Rotor S-4x750, set of 2 pcs.	5895 123.007
Round buckets for Rotor S-4x750, set of 4 pcs.	5895 122.000
Plate bucket (aerosol-tight capable), incl. plate carrier, set of 4 pcs.	5895 124.003
Plate bucket (aerosol-tight capable), incl. plate carrier, set of 2 pcs.	5895 125.000
Accessories	
Aerosol-tight caps for plate buckets (aerosol-tight capable) , aerosol-tight, for Rotor S-4-104 and Rotor S-4x750, set of 2 pcs.	5820 748.001
Aerosol-tight caps for 750 mL round buckets , aerosol-tight, for Rotor S-4-104, Rotor S-4x750 and Rotor S-4x1000, set of 2 pcs.	5820 747.005
Wide-neck bottle , 750 mL, set of 2 pcs.	5820 708.000

							
Eppendorf Tubes® 5.0 mL and 15 mL conical	30 mL	50 mL conical	50 mL conical, skirted	250 mL flat, 17–225/250 mL conical* ^{2,3}	500 mL Corning®	750 mL	MTP, DWP, PCR plates
17 mm	25 mm	31 mm	31 mm	62 mm	98 mm	104 mm	
125 mm	117 mm	122 mm	122 mm	145 mm	150 mm	133 mm	60 mm
120 mm	112 mm	116 mm	116 mm	125 mm		133 mm	45 mm
							
14/56	8/32	7/28	5/20	1/4	1/4	1/4	4/16 (MTP) 1/4 (DWP)
conical	flat	conical	conical	flat	conical	flat	
188 mm	180 mm	187 mm	177 mm	183 mm	186 mm	185 mm	161 mm
4,643 × g	4,445 × g	4,618 × g	4,371 × g	4,519 × g	4,594 × g	4,569 × g	3,976 × g
set of 2 pcs.	set of 2 pcs.	set of 2 pcs.	set of 2 pcs.	set of 2 pcs.	set of 2 pcs.	set of 2 pcs.	set of 2 pcs.
5825 734.009	5825 755.006	5825 733.002	5825 732.006	5825 741.005	5825 745.000	5825 744.004	5895 125.000



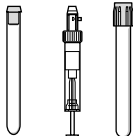
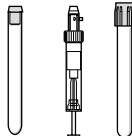
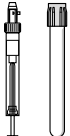
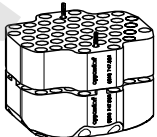
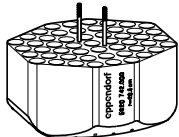
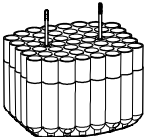
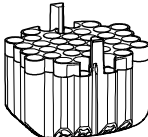
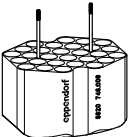
Rotors for Centrifuge 5920 R



Rotor S-4xUniversal-Large

- > Extra high capacity swing-bucket rotor with max. speed $4,402 \times g$ (4,250 rpm)
- > Broad range of adapters enables high versatility for tubes and flasks from 0.2 mL to 750 mL and plates
- > Universal bucket design accommodates both plates and tubes
- > Aerosol-tight Eppendorf QuickLock caps for safe centrifugation of hazardous samples optionally available*¹
- > Buckets, caps and adapters are autoclavable

*¹ Aerosol-tightness tested by Public Health England, Porton Down, UK.

					
Adapters for Rotor S-4xUniversal-Large					
Tube Volume	1.5/2.0 mL	5 mL FACS	2.6–8 mL	5.5–12 mL	9 mL
Max. tube diameter	11 mm	12 mm	13 mm	16 mm	17.5 mm
Max. vessel height	39 mm	113 mm	110 mm	110 mm	136 mm
Max. vessel height for use with cap/lid	39 mm	82 mm	107 mm	106 mm	130 mm
Adapter					
Number of vessels per adapter/rotor	92/368	51/204	49/196	37/148	28/112
Bottom shape	flat	round	round	round	round
Centrifugation radius	205 mm	205 mm	205 mm	204 mm	209 mm
Max. RCF	$4,139 \times g$	$4,140 \times g$	$4,140 \times g$	$4,120 \times g$	$4,200 \times g$
Packing	set of 2 pcs.	set of 2 pcs.	set of 2 pcs.	set of 2 pcs.	set of 2 pcs.
Order no.	5920 747.002	5920 742.000	5920 739.000	5920 738.003	5920 746.006



Ordering information

Description

Rotor S-4xUniversal-Large, incl. buckets

Aerosol-tight caps, for Rotor S-4xUniversal-Large, set of 2 pcs.

Wide-neck bottle, 750 mL, set of 2 pcs.

Order no.

5895 190.006

5920 752.006

5820 708.000



14 mL

17.5 mm

123 mm

120 mm



Eppendorf Tubes®
5.0 mL and 15 mL conical

17 mm

131 mm

123 mm



30 mL

25 mm

117 mm

108 mm



50 mL conical

31 mm

131 mm

125 mm



50 mL conical,
skirted

31 mm

141 mm

121 mm

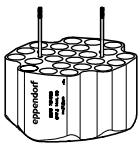


50 mL Nalgene®
Oak Ridge

29 mm

132 mm

121 mm



24/96

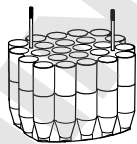
round

210 mm

4,240 × g

set of 2 pcs.

5920 751.000



24/96

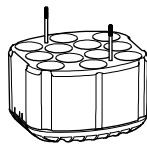
conical

218 mm

4,402 × g

set of 2 pcs.

5920 736.000



12/48

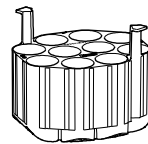
flat

194 mm

3,918 × g

set of 2 pcs.

5920 743.007



10/40

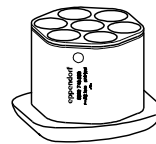
conical

213 mm

4,301 × g

set of 2 pcs.

5920 735.004



7/28

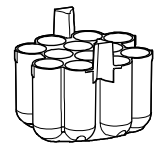
conical

197 mm

3,978 × g

set of 2 pcs.

5920 748.009



12/48

round

206 mm















4,160 × g

set of 2 pcs.

5920 753.002

Rotors for Centrifuge 5920 R



							
Adapters for Rotor S-4xUniversal-Large							
Tube Volume	250 mL flat, 175–225 mL conical	250 mL conical (Corning®, Nunc®)	500 mL Corning®	500 mL Nalgene®	750 mL	Micro Fluidic Cards	MTP, DWP, PCR plates
Max. tube diameter	62 mm	62 mm	98 mm	70 mm	104 mm	–	–
Max. vessel height	133 mm	171 mm	160 mm	168 mm	166 mm	153 mm	116 mm
Max. vessel height for use with cap/lid	126 mm		148 mm	145 mm	143 mm		110 mm
Adapter							
Number of vessels per adapter/rotor	2/8	1/4	1/4	1/4	1/4	3/12	5/20 (MTP) 2/8 (DWP)
Bottom shape	flat	flat	conical	flat	flat	flat	flat
Centrifugation radius	203 mm	208 mm	208 mm	206 mm	202 mm	200 mm	196 mm
Max. RCF	4,099 × g	4,200 × g	4,200 × g	4,160 × g	4,079 × g	4,039 × g	3,938 × g
Packing	set of 2 pcs.	set of 2 pcs.	set of 2 pcs.	set of 2 pcs.	set of 2 pcs.	set of 2 pcs.	set of 2 pcs.
Order no.	5920 740.008	5920 750.003	5920 744.003	5920 745.000	5920 741.004	5920 749.005	5920 737.007



Eppendorf Handling Solutions

Liquid Handling
Cell Handling
Sample Handling

To make your job in the lab easier and more efficient – with this goal in mind we are developing products and solutions in the areas of Liquid Handling, Cell Handling, and Sample Handling. Visit the Eppendorf Handling Solutions online sphere and dive into the area of your choice, learn new things, and have fun as well: www.eppendorf.com/handling-solutions



Cell Handling



Discover our comprehensive range of instruments and consumables for the manipulation, cultivation and analysis of cells. For handling cells, in addition to manipulators and injectors, incubators and consumables for cultivation as well as complete bioreactor systems for cell culture applications are also available. Corresponding detection systems are offered as required for subsequent photometric or fluorescence-based analysis.



■ Eppendorf Cell Culture Consumables

Experience a new dimension in cell culture with products that meet your needs.

- > Advanced contamination protection
- > Outstanding optical performance
- > Prevention of edge effect



■ Eppendorf Cell Imaging Consumables

Designed for sophisticated imaging and microscopy applications on expert level.

- > TC treated glass and film surfaces
- > Excellent signal-to-noise ratio
- > Extraordinary planarity



■ Eppendorf μCuvette® G1.0

Perfect tool for measuring high nucleic acid and protein concentrations in small volumes.

- > 1.5 – 10 μL sample volumes
- > Simple cleaning
- > Low self-absorption



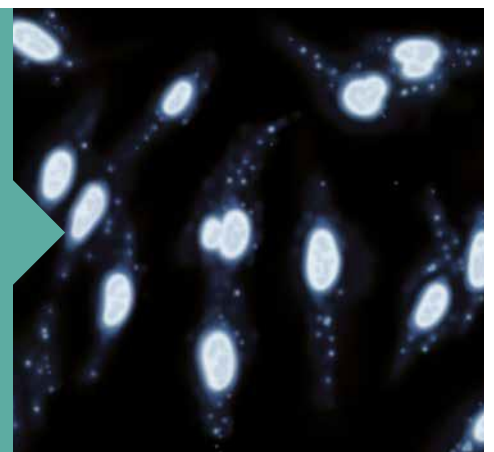
■ Eppendorf BioSpectrometer®

Compact spectrophotometers for measurements in the UV/ Vis and fluorescence range.

- > UV/Vis from 200 to 830 nm
- > Freely selectable wavelengths
- > Temperature controlled

Mycoplasma Detection Methods

Find out challenging tips on
www.eppendorf.com/cellexperts


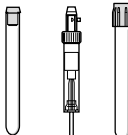
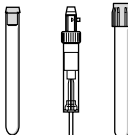
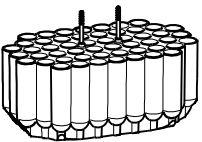
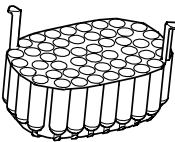
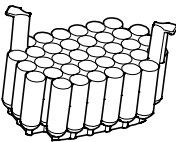


Rotors for Centrifuge 5920 R



Rotor S-4x1000 with high-capacity buckets





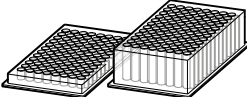
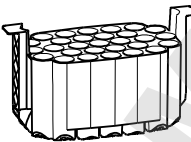
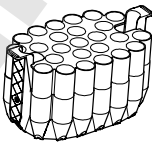
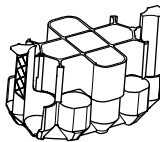
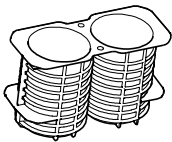

- > Extra high capacity swing-bucket rotor with max. speed $3,153 \times g$ (3,700 rpm)
- > Bucket accommodates both plates and tubes
- > Buckets, caps and adapters are autoclavable

			
Adapters for Rotor S-4x1000 high-capacity buckets			
Tube Volume	5 mL FACS	2.6–8 mL	5.5–12 mL
Max. tube diameter	12 mm	13 mm	16 mm
Max. vessel height	106 mm	112 mm	113 mm
Adapter			
Number of vessels per adapter/rotor	52/204	49/196	36/144
Bottom shape	round	round	round
Centrifugation radius	204 mm	204 mm	199 mm
Max. RCF	$3,122 \times g$	$3,122 \times g$	$3,046 \times g$
Packing	set of 2 pcs.	set of 2 pcs.	set of 2 pcs.
Order no.	5920 724.002	5920 718.002	5920 720.007



Ordering information

Description	Order no.
Rotor S-4x1000	
Rotor S-4x1000, incl. high-capacity buckets	5895 118.003
Rotor S-4x1000, without buckets	5895 101.003
Buckets for Rotor S-4x1000	
High-capacity bucket for Rotor S-4x1000, set of 2 pcs.	5895 107.001
High-capacity bucket for Rotor S-4x1000, set of 4 pcs.	5895 106.005
Accessories	
Plate carrier for high-capacity bucket, set of 2 pcs.	5920 729.004

				
9 mL	Eppendorf Tubes® 5.0 mL and 15 mL conical	50 mL conical	250 mL flat, 175–225 mL conical and Nunc® 250 mL conical	MTP, DWP, PCR plates
17.5 mm	17 mm	31 mm	62 mm	
129 mm	120 mm	120 mm	145 mm	88 mm
				
29/116	27/108	13/52	2/8	6/24 (MTP) 2/8 (DWP)
round	conical	conical	flat	flat
204 mm	205 mm	206 mm	200 mm	185 mm
3,122 × g	3,138 × g	3,163 × g	3,061 × g	2,832 × g
set of 2 pcs.	set of 2 pcs.	set of 2 pcs.	set of 2 pcs.	set of 2 pcs.
5920 722.000	5920 716.000	5920 715.003	5920 717.006	5920 729.004


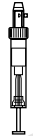


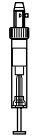
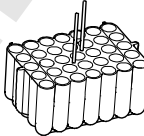
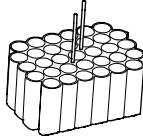
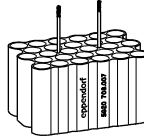
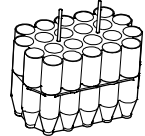
Rotors for Centrifuge 5920 R



Rotor S-4x1000 with plate/tube bucket

- > High capacity swing-bucket rotor with max. speed $3,076 \times g$ (3,700 rpm)
- > Bucket accommodates both plates and tubes
- > Aerosol-tight QuickLock caps for safe centrifugation of hazardous samples optionally available*¹
- > Buckets, caps and adapters are autoclavable

*¹ Aerosol-tightness tested by Public Health England, Porton Down, UK.

					
Adapters for Rotor S-4x1000 plate/tube buckets					
Tube Volume	2.6–8 mL	5.5–12 mL	9 mL		Eppendorf Tubes® 5.0 mL and 15 mL conical
Max. tube diameter	13 mm	16 mm	17.5 mm		17 mm
Max. vessel height	109 mm	109 mm	109 mm		121 mm
Max. vessel height for use with cap/lid*¹	108* ² mm	108* ³ mm	109* ⁴ mm		
Adapter					
Number of vessels per adapter/rotor	35/140	33/132	28/112		22/88
Bottom shape	round	round	round		conical
Centrifugation radius	201 mm	200 mm	200 mm		201 mm
Max. RCF	$3,076 \times g$	$3,061 \times g$	$3,061 \times g$		$3,076 \times g$
Packing	set of 2 pcs.	set of 2 pcs.	set of 2 pcs.		set of 2 pcs.
Order no.	5920 706.004	5920 707.000	5920 708.007		5920 710.001

*¹ Please perform a manual test to determine the actual loading capacity.
*² in 25 center pos.

*³ in 23 center pos.
*⁴ in 22 center pos.

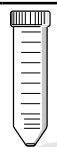


Ordering information

Description	Order no.
Rotor S-4x1000	
Rotor S-4x1000, incl. plate/tube buckets	5895 117.007
Rotor S-4x1000, without buckets	5895 101.003
Buckets for Rotor S-4x1000	
Plate/tube bucket for Rotor S-4x1000, set of 2 pcs.	5895 105.009
Plate/tube bucket for Rotor S-4x1000, set of 4 pcs.	5895 104.002
Accessories	
Aerosol-tight caps , for S-4x1000 plate/tube bucket and S-4x750 plate bucket, set of 2 pcs.	5895 111.009
Plate carrier for plate/tube bucket, for Rotor S-4x1000 with plate/tube buckets, Rotor S-4x1000, set of 2 pcs.	5920 705.008



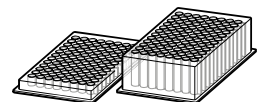
Eppendorf Tubes® 5.0 mL and 15 mL conical
17 mm
121 mm
121 mm



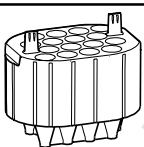
50 mL conical
31 mm
122 mm



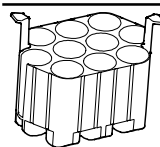
50 mL conical
31 mm
121 mm
121 mm



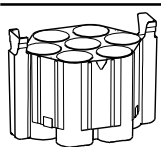
MTP, DWP, PCR plates
104 mm
91 mm



16/64
conical
201 mm
3,076 x g
set of 2 pcs.
5920 712.004



10/40
conical
201 mm
3,076 x g
set of 2 pcs.
5920 709.003



7/28
conical
201 mm
3,076 x g
set of 2 pcs.
5920 711.008



7/28(MTP)
2/8(DWP)
flat
198 mm
3,030 x g
set of 2 pcs.
5920 705.008








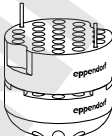
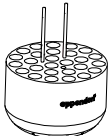
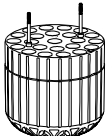
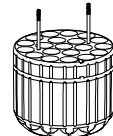
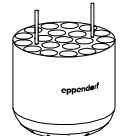
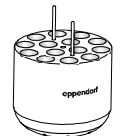
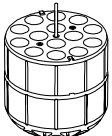
Rotors for Centrifuge 5920 R



Rotor S-4x1000 with round bucket

- > Medium capacity swing-bucket rotor with max. speed $3,413 \times g$ (3,700 rpm)
- > Broad range of adapters enables high versatility for tubes and flasks from 0.2 mL to 1,000 mL and plates
- > Mixed loading with 2 plate buckets and 2 round buckets allows for increased versatility
- > Aerosol-tight QuickLock caps for safe centrifugation of hazardous samples optionally available*¹
- > Buckets, caps and adapters are autoclavable

*¹ Aerosol-tightness tested by Public Health England, Porton Down, UK.

							
Adapters for Rotor S-4x1000 round buckets							
Tube Volume	1.5/2.0 mL	12 x 75 mm, 5 mL FACS	2.6–8 mL	5.5–12 mL	9 mL	14 mL	Eppendorf Tubes® 5.0 mL and 15 mL conical
Max. tube diameter	11 mm	12 mm	13 mm	16 mm	17.5 mm	17.5 mm	17 mm
Max. vessel height	39 mm	115 mm	121 mm	140 mm	117 mm	117 mm	161 mm
Max. vessel height for use with cap/lid*¹	39 mm	108 mm	113 mm	140 mm	112 mm	112 mm	150 mm
Adapter							
Number of vessels per adapter/rotor	50/200	27/108	23/92	20/80	20/80	14/56	14/56
Bottom shape	flat	round	round	round	round	round	conical
Centrifugation radius	219 mm	211 mm	210 mm	211 mm	210 mm	210 mm	224 mm
Max. RCF	$3,352 \times g$	$3,229 \times g$	$3,214 \times g$	$3,229 \times g$	$3,214 \times g$	$3,214 \times g$	$3,428 \times g$
Packing	set of 2 pcs.	set of 2 pcs.	set of 2 pcs.	set of 2 pcs.	set of 2 pcs.	set of 2 pcs.	set of 2 pcs.
Order no.	5825 740.009	5825 747.003	5825 738.004	5825 736.001	5825 743.008	5825 748.000	5825 734.009





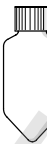






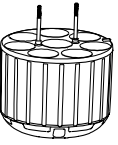
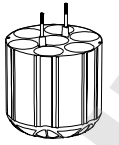
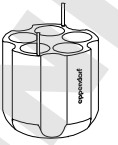

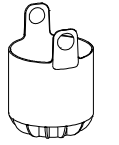



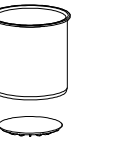
*¹ Exceeding the maximum tube length may reduce the loading capacity of the rotor. Please perform a manual swing-out test before starting the centrifuge run to make sure the tubes do not hit the rotor yoke.

*² Please note that these conical bottles need to be used together with a conical form insert provided by the manufacturer.

*³ 225 mL conical for S-4-104 and S-4x750, 250 mL conical for S-4x1000 with round bucket.

Ordering information

Description	Order no.
Rotor S-4x1000	
Rotor S-4x1000 round buckets, aerosol-tight, incl. 4 × 1,000 mL round buckets	5895 100.007
Rotor S-4x1000, aerosol-tight, without buckets	5895 101.003
Buckets for Rotor S-4x1000	
Round bucket for Rotor S-4x1000, set of 2 pcs.	5895 103.006
Round bucket for Rotor S-4x1000, set of 4 pcs.	5895 102.000
Plate/tube bucket for Rotor S-4x1000, set of 2 pcs.	5895 105.009
Plate/tube bucket for Rotor S-4x1000, set of 4 pcs.	5895 104.002
Accessories	
Aerosol-tight caps for 750 mL round buckets , aerosol-tight, for Rotor S-4-104, Rotor S-4x750 and Rotor S-4x1000, set of 2 pcs.	5820 747.005
Aerosol-tight caps , for S-4x1000 plate/tube bucket and S-4x750 plate bucket, set of 2 pcs.	5895 111.009
Plate carrier for plate/tube bucket , for Rotor S-4x1000 with plate/tube buckets, Rotor S-4x1000, set of 2 pcs.	5920 705.008

									
30 mL	50 mL conical	50 mL conical, skirted	250 mL flat, 175–225/250 mL conical*2,3	500 mL Corning® Nunc®	500 mL Nalgene®	600 mL TPP	750 mL	1 Liter Nalgene®	MTP, DWP, PCR plates
25 mm	31 mm	31 mm	62 mm	98 mm		98 mm	104 mm	98 mm	
145 mm	156 mm	151 mm	176 mm	167 mm	180 mm	181 mm	150 mm	185 mm	104 mm
138 mm	150 mm	147 mm	156 mm						91 mm
									
8/32	7/28	5/20	1/4	1/4	1/4	1/4	1/4	1/4	7/28 (MTP) 2/8 (DWP)
flat	conical	conical	flat	conical	flat	conical	flat	flat	flat
210 mm	223 mm	209 mm	214 mm	218 mm	221 mm	224 mm	216 mm	218 mm	198 mm
3,222 × g	3,413 × g	3,199 × g	3,275 × g	3,336 × g	3,382 × g	3,428 × g	3,306 × g	3,336 × g	3,030 × g
set of 2 pcs.	set of 2 pcs.	set of 2 pcs.	set of 2 pcs.	set of 2 pcs.	set of 2 pcs.	set of 2 pcs.	set of 2 pcs.	set of 2 pcs.	set of 2 pcs.
5825 755.006	5825 733.002	5825 732.006	5825 741.005	5825 745.000	5920 703.005	5920 701.002	5825 744.004	5920 700.006	5895 105.009

Rotors for Centrifuge 5910 R



Rotor F-48x15

- > High-capacity fixed-angle rotor for 15 mL conical and glass tubes
- > Maximum speed: 5,005 × g (5,500 rpm)
- > Form inserts for 15 mL conical tubes



Rotor FA-30x2

- > 30 places for 1.5/2.0 mL tubes
- > Max. speed: 20,984 × g (max. 13,700 rpm)
- > Eppendorf QuickLock rotor lid for fast lid locking
- > Aerosol-tight for safe centrifugation of hazardous samples*¹
- > Anodized aluminum for high chemical resistance
- > Rotor and lid are autoclavable (121 °C, 20 min)

*¹ Aerosol-tightness tested by Public Health England, Porton Down, UK.

Ordering information

Description	Order no.
Rotor F-48x15 , for 40 x 15 mL conical tubes, incl. 48 steel sleeves and adapters	5895 160.000
Rotor FA-30x2 , incl. aerosol-tight Eppendorf QuickLock® rotor lid	5895 155.006
Adapter , for 1 tube 0.5 mL, max. Ø 8 mm or microtainer 0.6 mL, max. Ø 8 mm, for all 1.5/2.0 mL rotors, set of 6 pcs.	5425 716.001
Adapter , for 1 tube 0.4 mL, max. Ø 6 mm, for all 1.5/2.0 mL rotors, set of 6 pcs.	5425 717.008
Adapter , for 1 PCR tube 0.2 mL, max. Ø 6 mm, for all 1.5/2.0 mL rotors, set of 6 pcs.	5425 715.005



Centrifuge Performance Plans

An annual inspection and maintenance of centrifuges and rotors by an Eppendorf certified service technician is highly recommended to ensure a safe working environment.

■ ESSENTIAL CHECK

- > Check of all fundamental functions of the product

■ ADVANCED MAINTENANCE

- > Preventive maintenance service to meet manufacturer specifications

■ PREMIUM SERVICE

- > Complete maintenance and repair service agreement solution for your peace of mind

Rotors for Centrifuge 5910 R and Centrifuge 5920 R



Rotor FA-20x5

- > 20 places for Eppendorf Tubes 5.0 mL*²
- > Max. speed: 20,913 × *g* (13,100 rpm)
- > Aerosol-tight*³ Eppendorf QuickLock rotor lid
- > Rotor, lid and adapters are autoclavable (121 °C, 20 min)
- > Anodized aluminum for high chemical resistance

^{*2} For Eppendorf Tubes 5.0 mL with screw cap the capacity is limited to 10 tubes.

^{*3} Aerosol-tightness tested by Public Health England, Porton Down, UK.



Rotor FA-48x2

- > 48 places for 1.5/2.0 mL tubes
- > Max. speed: 21,194 × *g*/13,700 rpm (5920 R)/
22,132 × *g*/14,000 rpm (5910 R)
- > Eppendorf QuickLock rotor lid for fast lid locking
- > Aerosol-tight*³ for safe centrifugation of hazardous samples
- > Anodized aluminum for high chemical resistance
- > Rotor and lid are autoclavable (121 °C, 20 min)

Ordering information

Description	Order no.
Rotor FA-20x5 , for 20 Eppendorf Tubes® 5.0 mL, incl. aerosol-tight Eppendorf QuickLock® rotor lid	5895 130.003
Adapter , for 1 vessel 1.5 – 2.0 mL, for Rotors FA-45-12-17, FA-45-16-17 and FA-45-20-17, set of 4 pcs.	5820 768.002
Adapter , for 1 cryo tube, for Rotors FA-45-12-17, FA-45-16-17 and FA-45-20-17, set of 4 pcs.	5820 769.009
Adapter , for 1 HPLC tube, for Rotors FA-45-12-17, FA-45-16-17 and FA-45-20-17, set of 4 pcs.	5820 770.007
Rotor FA-48x2 , incl. aerosol-tight Eppendorf QuickLock® rotor lid	5895 135.005

Certification Services

Installation Qualification (IQ) and Operational Qualification (OQ) services make sure that temperature accuracy, rotational speed verification and operating time meet manufacturer's specifications.

Over the years, all rotor structures will eventually suffer from fatigue due to stress of high numbers of cycles. If not maintained correctly, surface scratches can lead to microscopic and then to critical cracks. Qualified inspection will detect damages early in order to prevent further equipment failure. Our service includes cleaning, instructions for proper care and visual examination of rotors and adapters

determining if the rotor is safe for further operation or needs to be replaced.

The Performance Plans feature

- > Manufacturer-specific test procedures
- > GLP supporting documentation

Value of service

- > Highest degree of security in your lab
- > Longer service life of the system

> Further information and local offers in your country:
www.eppendorf.com/epServices



Rotors for Centrifuge 5910 R and Centrifuge 5920 R



Rotor FA-6x50

- > High-speed rotor for applications in tubes from 5–50 mL
- > Max. speed 20,130 × *g* (12,100 rpm)
- > Eppendorf QuickLock rotor lid for fast lid locking
- > Aerosol-tight*¹ for safe centrifugation of hazardous samples
- > Low rotor weight (3.2 kg) for easy handling
- > Anodized aluminum for high chemical resistance
- > 45° borehole angle minimizes pellets smear
- > Rotor, lid and adapters are autoclavable

*¹ Aerosol-tightness tested by Public Health England, Porton Down, UK.

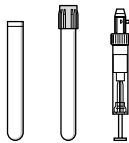
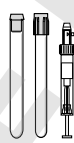
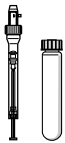
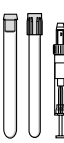

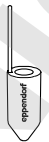




Ordering information

Description

Rotor FA-6x50, aerosol-tight, incl. rotor lid

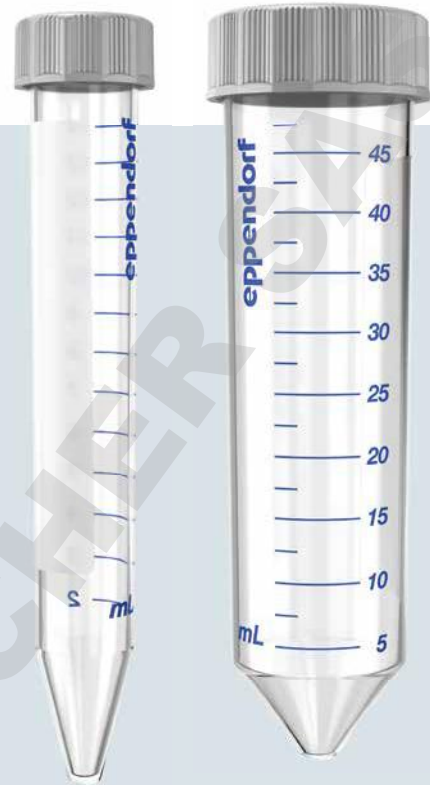
Order no.

5895 150.004

					
Adapters for Rotor FA-6x50					
Tube Volume	2.6–5 mL	4–8 mL	5.5–10 mL	7.5–12 mL	Eppendorf Tubes® 5.0 mL
Max. tube diameter	13 mm	13 mm	16 mm	16 mm	17 mm
Max. vessel height for use with cap/lid	119 mm	119 mm	119 mm	119 mm	121 mm
Adapter					
Number of vessels per adapter/rotor	1/6	1/6	1/6	1/6	1/6* ¹
Bottom shape	round	round	round	round	conical
Centrifugation radius	120 mm	120 mm	120 mm	120 mm	121 mm
Max. RCF	19,642 × <i>g</i>	19,642 × <i>g</i>	19,642 × <i>g</i>	19,642 × <i>g</i>	19,806 × <i>g</i>
Packing	set of 2 pcs.	set of 2 pcs.	set of 2 pcs.	set of 2 pcs.	set of 2 pcs.
Order no.	5820 726.008	5820 725.001	5820 728.000	5820 727.004	5820 730.005

*¹ Eppendorf Tubes® 5.0 mL with screw cap will not fit in this adapter.

Eppendorf Conical Tubes



Whether centrifugation, mixing, or other applications – the Eppendorf Conical Tubes 15 mL and 50 mL will perfectly fit into your workflows. They represent the next step in Eppendorf’s comprehensive system solutions in liquid, sample and cell handling.

7–17 mL	15 mL	15–18 mL	20–30 mL	35 mL	50 mL conical
17.5 mm	17 mm	18 mm	26 mm	29 mm	31 mm
122 mm	125 mm	125 mm	125 mm	125 mm	121 mm
1/6	1/6	1/6	1/6	1/6	–/6
round	conical	round	round	conical	conical
120 mm	120 mm	120 mm	105 mm	112 mm	123 mm
19,642 × g	19,642 × g	19,642 × g	17,187 × g	18,333 × g	20,130 × g
set of 2 pcs.	set of 2 pcs.	set of 2 pcs.	set of 2 pcs.	set of 2 pcs.	–
5820 729.007	5820 717.009	5820 720.000	5820 721.006	5820 722.002	–

> More information: www.eppendorf.com/conicals



Eppendorf Consumables



Eppendorf Conical Tubes 15 mL, 50 mL, and Eppendorf Tubes® 5.0 mL

No Compromise! Eppendorf Tubes meet the highest demands of diverse laboratory applications. The outstanding quality and specifications make them ideally suited for cell biology applications as well as for sample preparation protocols in microbiology and molecular biology laboratories.

- > The newly designed screw cap ensures both an outstanding tight sealing and a user-friendly handling
- > The high g-safe® centrifugation stability enables reliable, safe, and fast centrifugation steps
- > Highest sample integrity due to avoidance of any slip agents, plasticizers, and biocides during manufacturing

Eppendorf Plates® 96 and 384

High-performance plates for manual and automated applications.

- > OptiTrack® high-contrast alphanumeric labeling: up to 30% faster sample identification and fewer pipetting errors
- > RecoverMax® well design: Optimized well geometry for maximum sample recovery and excellent mixing properties
- > g-Safe: exceptional centrifugation stability for faster protocols and improved sample quality



> For more information:
www.eppendorf.com/tubes



> For more information:
www.eppendorf.com/dwp

Packages Centrifuge 5910 R and Centrifuge 5920 R

Description

Eppendorf provides a range of different centrifuge packages for Centrifuge 5910 R and Centrifuge 5920 R.

Ordering information

Description	Max. capacity of conical tubes per rotor	Order no.
Centrifuge 5910 R , refrigerated, with Rotor S-4xUniversal, 230 V/50–60 Hz, incl. universal buckets and adapters for 5 mL/15 mL/50 mL conical tubes and plates* ¹	68 x 15 mL/36 x 50 mL	5942 000.315
Centrifuge 5910 R , refrigerated, with Rotor S-4xUniversal, 230 V/50–60 Hz, incl. universal buckets and adapters for 5 mL/15 mL/50 mL conical tubes, 175 mL–250 mL bottles and plates	68 x 15 mL/28 x 50 mL	5942 000.215
Centrifuge 5910 R , refrigerated, with Rotor S-4xUniversal, 230 V/50–60 Hz, incl. universal buckets and adapters for round-bottom tubes with diameter 13/16 mm	120 x 13 mm/104 x 16 mm	5942 000.410
Centrifuge 5910 R , refrigerated, with Rotor S-4x750, 230 V/50–60 Hz, incl. round buckets and adapters for 5 mL/15 mL/50 mL conical tubes	56 x 15 mL/28 x 50 mL	5942 000.515
Centrifuge 5910 R , refrigerated, with Rotor S-4x500, 230 V/50–60 Hz, incl. rectangular buckets and adapters for 15 mL/50 mL conical tubes	48 x 15 mL/20 x 50 mL	5942 000.615
Centrifuge 5910 R , refrigerated, with Rotor S-4x400, 230 V/50–60 Hz, incl. round buckets and adapters for 5 mL/15 mL/50 mL conical tubes	28 x 15 mL/16 x 50 mL	5942 000.710
Centrifuge 5920 R , refrigerated, with Rotor S-4xUniversal-Large, 230 V/50–60 Hz, incl. universal buckets and adapters for 15 mL/50 mL conical tubes	96 x 15 mL/40 x 50 mL	5948 000.910
Centrifuge 5920 R , refrigerated, with Rotor S-4xUniversal-Large, 230 V/50–60 Hz, incl. universal buckets and adapters for round-bottom tubes with diameter 13/16 mm	196 x 13 mm/148 x 16 mm	5948 000.810
Centrifuge 5920 R , refrigerated, with Rotor S-4x1000, 230 V/50–60 Hz, incl. high-capacity buckets and adapters for 15 mL/50 mL conical tubes	108 x 15 mL/52 x 50 mL	5948 000.210
Centrifuge 5920 R , refrigerated, with Rotor S-4x1000, 230 V/50–60 Hz, incl. round buckets and adapters for 15 mL/50 mL conical tubes	56 x 15 mL / 28 x 50 mL	5948 000.315
Centrifuge 5920 R , refrigerated, with Rotor S-4x1000, 230 V/50–60 Hz, incl. plate/tube buckets and adapters for 15 mL/50 mL conical tubes* ²	88 x 15 mL/40 x 50 mL	5948 000.410
Centrifuge 5920 R , refrigerated, with Rotor S-4x1000, 230 V/50–60 Hz, incl. plate/tube buckets and adapters for round-bottom tubes with diameter 13/16 mm* ³	140 x 13 mm/132 x 16 mm	5948 000.615

*¹ When used with aerosol-tight caps the max. capacity is reduced to 20 x 50 mL (5 x 50 mL per bucket)

*² These 15/50 mL adapters are not compatible with aerosol-tight caps. Please refer to page 22/23 for dedicated 15/50 mL adapters for aerosol-tight use.

*³ Aerosol-tight caps reduce capacity to 100 x 13 mm/92 x 16 mm per rotor.

Eppendorf Centrifuge 5910 R and Centrifuge 5920 R

Technical specifications

Model	Centrifuge 5910 R	Centrifuge 5920 R
Max. RCF		
> with fixed-angle rotor	22,132 × g	21,194 × g
> with swing-bucket rotor	5,234 × g	4,800 × g
Speed	100–14,000 rpm (10 rpm steps)	100–13,700 rpm (10 rpm steps)
Max. capacity	4 × 750 mL/4 × 5 MTP	4 × 1,000 mL/4 × 7 MTP
Acceleration/braking ramps	10/10	10/10
Number of programs	99 (5 program keys)	99 (5 program keys)
Timer	10 s to 99 h 59 min, with continuous run function, short-spin	10 s to 99 h 59 min, with continuous run function, short-spin
Cooling	refrigerated	refrigerated
Temperature control range	–11 °C to 40 °C	–11 °C to 40 °C
Noise level		
Rotor FA-6x50	<59 dB(A)	<60 dB(A)
Rotor S-4x750	<57 dB(A)	–
Rotor S-4xUniversal	<53 dB(A)	–
Rotor S-4xUniversal-Large	–	<55 dB(A)
Power supply	230 V, 50–60 Hz	230 V, 50–60 Hz
Max. power consumption	1,650 W	1,650 W
Dimensions (W × D × H)	72 × 66 × 37 cm	74 × 71 × 40 cm
Footprint (dimensions w/o front panel, WxD)	72 × 62 cm	74 × 67 cm
Height (with open lid)	85 cm	94 cm
Weight w/o accessories	109 kg	139 kg

Technical specifications are subject to change. Errors and omissions excepted.

Ordering information

Description	Order no.
Centrifuge 5910 R , refrigerated, 230 V/50–60 Hz	5942 000.010
Centrifuge 5920 R , refrigerated, 230 V/50–60 Hz	5948 000.010

Your local distributor: www.eppendorf.com/contact
 Eppendorf AG · Barkhausenweg 1 · 22339 Hamburg · Germany
eppendorf@eppendorf.com · www.eppendorf.com

www.eppendorf.com/centrifugation