

ARCTIKO INT ULUF 125

true cooling specialists



ULTRA LOW TEMPERATURE UNDERCOUNTER I

The ULUF 125 will add a new dimension to your laboratory. The compact space-saving design and low noise level makes it a perfect storage solution for your laboratory.

► COOLING TECHNOLOGY

The small size is achieved by utilizing Arctico's special single compressor technology.

The single compressor technology is specially designed to reduce the number of mechanical components that generates unnecessary heat and noise.

It comes with the same advantages as regular sized -86°C from Arctiko and is best in class in cooling performance.

► FILTERLESS CONSTRUCTION

Our filter less construction makes cleaning unnecessary. The evaporator coils are spaced so far apart that dust will not be trapped and obstruct the airflow.

With our unique construction, the dust intake is minimal, which eliminates the need for filters entirely, saving you maintenance time and cost.

► CUSTOMIZED SOLUTIONS

Even in this size Arctiko can provide a wide range of accessories for customization of the unit, though it is not required to function.

With an optional CO₂ back-up system will keep your samples cold as long as there is CO₂ available in the system – eliminating the dangers of an unstable power grid or simply bad weather.



ULUF 125*



SINGLE COMPRESSOR SYSTEM



DIRECT COOLING



FILTERLESS CONSTRUCTION



The user friendly G214 controller standard for the ULUF 125. It includes different alarms as; visual, acoustic, open door and more.



Insulated inner door for better recovery time after door openings and optimal temperature stability.

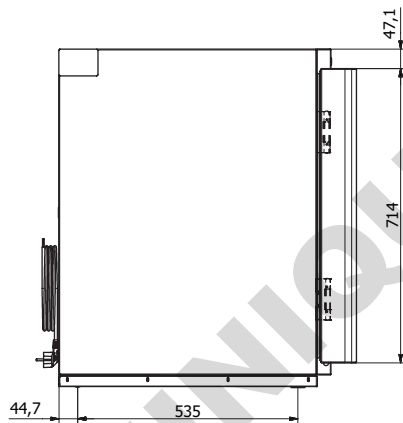
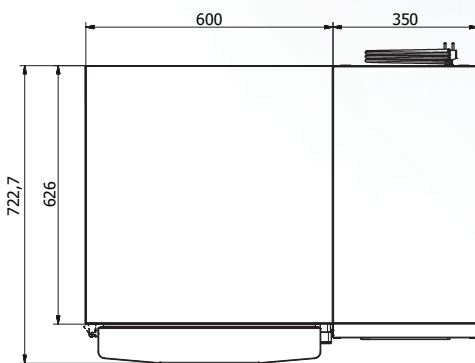
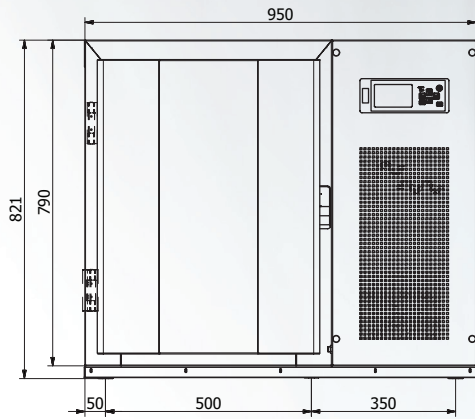


Key lock is a standard feature in our ULUF 125. Placed on side of door for optimal security for your samples.

ARCTIKO INT ULUF 125

true cooling specialists

MAIN DIMENSIONS



The ARCTIKO ULUF 125 model supports following optional features:

- Modbus adaptor for G214 controller
- Temperature chart recorder
- CO₂ back-up system
- GSM alarm module
- Voltage converter
- Voltage stabilizer
- Boxes
- Cryo gloves

OPTIONAL FEATURES

CERTIFICATES



MODEL	ULUF 125
Item code	US-DA1 1417
Temperature range (°C)	-40 / -86
Temperature range (°F)	-40 / -123
Max. ambient temperature (°C)	25
Max. ambient temperature (°F)	77
Capacity (L)	94
Capacity (cu. ft.)	3.3
Exterior dimensions WxDxH (mm)	950x725x821
Exterior dimensions WxDxH (inches)	37.40x28.54x32.32
Interior dimensions WxDxH (mm)	360x493x530
Interior dimensions WxDxH (inches)	14.17x19.41x20.87
Weight (kg)	111
Weight (lbs)	245
Insulation (mm)	120
Insulation (inches)	4,7
Cooling technology	single system / static
Controller model / probe type	G214 / PT1000
Power	
Power supply (V)	110
Frequency (Hz)	60
Power consumption (kWh/24h)	8,9
AMP (A)	3,3
Power (Watt)	515
Horse power (HP)	5/8
Alarm functions	
Alarm display as text - not codes	yes
Visual / acoustic alarm	yes / yes
Power failure alarm	yes
Adjustable high / low temperature alarm	yes / yes
Open door alarm	yes
Probe failure alarm	yes
Low battery alarm	yes
Compressor failure alarm	no
Battery backup for alarms (approx. hrs.)	72
Data logging & external connection	
Voltage free contact for remote alarm (e.g. GSM alarm module)	yes
Electronic data logger	yes
RS 485 port	yes
USB port for software update & data download	yes
Temperature chart recorder	optional
Display features	
Display type	4,3" with touch buttons
Number of optional reference probes	2
Password protection for turning unit on / off	yes
Temperature graph on display	yes
Other features	
Automatic defrost	no
Vacuum release port	no
Access port for external probe etc. (int. diameter mm)	no
Access port for external probe etc. (int. diameter inches)	no
Light	no
Lock with key	yes
Castors (total pcs) / castors with brake (pcs)	2 rollers / 0
Fixed feet (pcs) / levelling feet (pcs)	0 / 2
Sub lids / inner doors (pcs)	2
Reversible door(s)	no
Fixed shelves (pcs) / adjustable shelves (pcs)	1 / 0
Max. load per shelf (kg)	25
Max. load per shelf (lbs)	55
Total capacity of 50 mm / 2 inch boxes (pcs)	48
Total capacity of 75 mm / 3 inch boxes (pcs)	36
Total capacity of 96 mm / 3,8 inch boxes (pcs)	32
Refrigeration & cabinet	
Number of compressors	1
Refrigerant	EP88
Interior cabinet material	stainless steel
Exterior cabinet material	electrogalvanized steel
Colour (exterior cabinet)	white
Foam type	polyurethane
VIP vacuum insulated panels	no
Shipping	
Shipping weight (kg)	142
Shipping weight (lbs)	313
Shipping dimensions WxDxH (cm)	103x81x103
Shipping dimensions WxDxH (inches)	40,6x31,9x40,6
Shipping volume (m ³)	0,86
Shipping volume (cu. ft.)	30,37