

Technical data sheet

## Scrubber K-415

The Scrubber<sup>ECO</sup> models protect the environment not just by neutralizing the poisonous fumes but also by using just as much tap water as necessary by means of the automatic cooling water control. Each Scrubber is modularly extendable to a QuadScrub<sup>ECO</sup> model.



## Scope of delivery



### NOTE

The scope of delivery depends on the configuration of the purchase order.

Accessories are delivered as per the purchase order, order confirmation, and delivery note.

The Scrubber models are delivered ready to use.

Components	OneScrub	DuoScrub	TripleScrub	TripleScrub <sup>ECO</sup>	QuadScrub <sup>ECO</sup>
Condensation step			•	•	•
Neutralization step	•	•	•	•	•
Adsorption step	•	•	•	•	•
Reaction step					•
Pump suction capacity	21 L/min	32 L/min	32 L/min	32 L/min	32 L/min
Max. number of sample tubes in digester	12 (only Speed-Digester)	20	20	20	20
Cooling water control				•	•
Tray for adsorption storage			1	1	1
Silicone hose for cooling water			3 m	3 m	3 m
Hose for water control				2 m	2 m
Adapter with sieve for tap				1	1
Multi-tool				1	1
Connection cable to digester				1	1

## Order code

Choose the configuration according to your needs:

1 1 4 1 5

Supply voltage

- 10 100 V  $\pm$ 10 % 50/60 Hz
- 12 120 V  $\pm$ 10 % 50/60 Hz
- 23 230 V  $\pm$ 10 % 50/60 Hz

Scrubber K-415 model

- 20 DuoScrub (neutralization & adsorption)
- 30 TripleScrub (condensation, neutralization & adsorption)
- 31 TripleScrubECO (condensation, neutralization & adsorption with cooling water control)
- 41 QuadScrubECO (condensation, neutralization, adsorption & reaction with cooling water control)

1 1 4 1 5 0 0 1 0

OneScrub

100–230 V, 50/60 Hz

Simple version of DuoScrub (neutralization & adsorption)

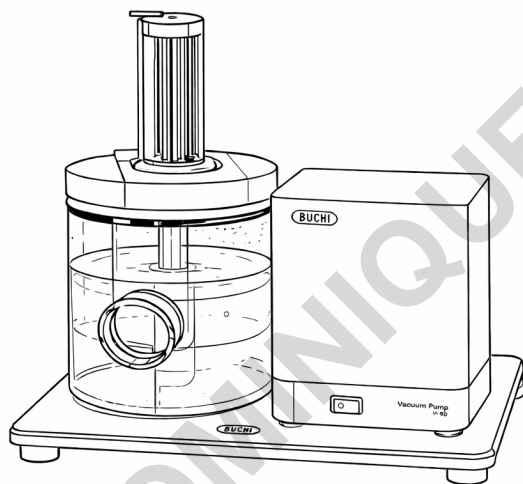


Fig. 1: OneScrub

## Technical data

### Scrubber K-415

	OneScrub	DuoScrub	TripleScrub	TripleScrub <sup>ECO</sup>	QuadScrub <sup>ECO</sup>
Dimensions (W x H x D)	248 x 417 x 526 mm	248 x 412 x 526 mm	347 x 417 x 526 mm	347 x 417 x 543 mm	347 x 450 x 543 mm
Weight	8.9 kg	10.1 kg	11.2 kg	12.3 kg	12.9 kg
Connection voltage	100–230 VAC ± 10%	100–230 VAC ± 10%	100–230 VAC ± 10%	100–230 VAC ± 10%	100–230 VAC ± 10%
Power consumption	180 W	140 W	140 W	140 W	140 W
Frequency	50/60 Hz	50/60 Hz	50/60 Hz	50/60 Hz	50/60 Hz
Current consumption	1–2 A	1–2 A	1–2 A	1–2 A	1–2 A
Overvoltage category	II	II	II	II	II
Pollution degree	2	2	2	2	2
System suction capacity (adjustable)	15 mbar	50–400 mbar	50–400 mbar	50–400 mbar	50–400 mbar

### Spare parts and accessories

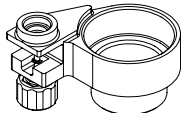
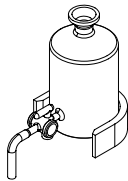
Use only genuine BUCHI consumables and spare parts in order to ensure correct, safe and reliable operation of the system.



#### NOTE

Any modifications of spare parts or assemblies are only allowed with the prior written permission of BUCHI.

### Accessories

Description	Order no.	Image
Condensation step (for DuoScrub)	11058460	
Reaction step (for DuoScrub & TripleScrub)	11058461	
Cooling water valve (for 230 V models)	11058462	
Cooling water valve (for 100 or 120 V models)	11058673	
Tray for adsorption storage (for DuoScrub)	11057332	
TKN Set Easy collection and drain of condensate	11057333	

Description	Order no.	Image
TKN Set Throughput For high volume condensate collection and draining in 5 L reservoir bottle	11085543	
Condensate bottle (secondary)	025100	
Multi-Tool For K-415 ECO models	11058474	
Connection cable to digester The Scrubber is controlled by the digester by the cable connection (already incl. at Scrubber ECO models)	030973	

### **IQ/OQ kits**

	Order no.
IQ/OQ set (EN)	11058568
Repeating OQ (EN)	11058569

### **Maintenance kits**

	Order no.
Kit Customer K-415 Frequently used wear and spare parts for self-servicing your device, conveniently gathered in one kit	11062614

## Description of function

The aggressive acid or alkali fumes are sucked off by means of the powerful pump into the first stage for precondensation to avoid dilution of the second stage. The output from the condensation stage is neutralized in the neutralization vessel. The third stage then collects particles of organic and inorganic substances. The fourth stage is for specific reactions such as reduction or oxidation (e.g. for aqua regia digestion).

### A Condensation step

- ① Fumes in
- ② Condenser
- ③ Condensate vessel
- ④ Cooling water inlet
- ⑤ Cooling water outlet

### B Neutralization step

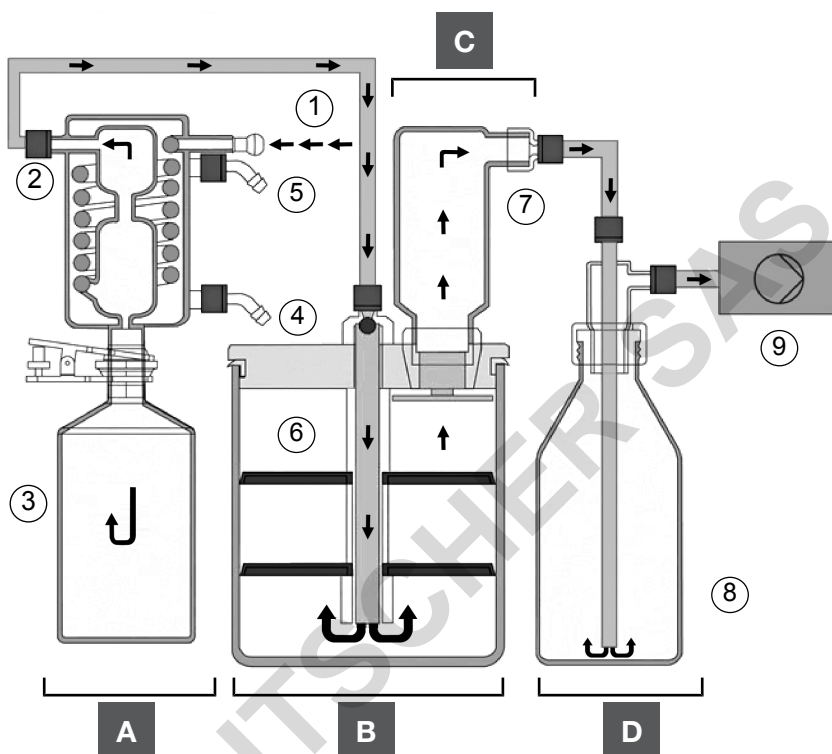
- ⑥ Neutralization vessel

### C Adsorption step

- ⑦ Adsorption vessel

### D Reaction step

- ⑧ Reaction vessel
- ⑨ Pump



DOMINIQUE DUTSCHER SAS



11594153G en Scrubber K-415 03.2026  
Technical data are subject to change without notice  
Quality Systems ISO 9001

---

We are represented by more than 100 distribution partners worldwide.  
Find your local representative at:

[www.buchi.com](http://www.buchi.com)

Quality in your hands

---