

Product Datasheet model uvex ultravision 9301 714



**UVEX ARBEITSSCHUTZ GMBH, Würzburger Str. 181-189,
D-90766 Fürth**

1. Product Characteristics

- classic safety goggle suitable for a wide range of applications
- flexible face seal naturally moulds to any facial shape
- generous internal volume accommodating prescription spectacles and frame recesses to locate the side arms ensuring a comfortable fit
- indirect ventilation system increases air circulation
- length-adjustable textile headband for a secure fit and individual adaptability
- cellulose acetate lens featuring anti-fog performance on the inside and UV380 protection
- a sustainable benefit: lenses can be replaced when required
- metal-free


2. Technical Details Body

Frame

Material	PVC
Version	indirect ventilation
Colour	transparent grey

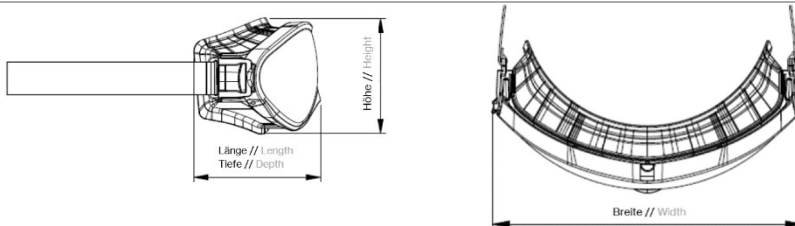
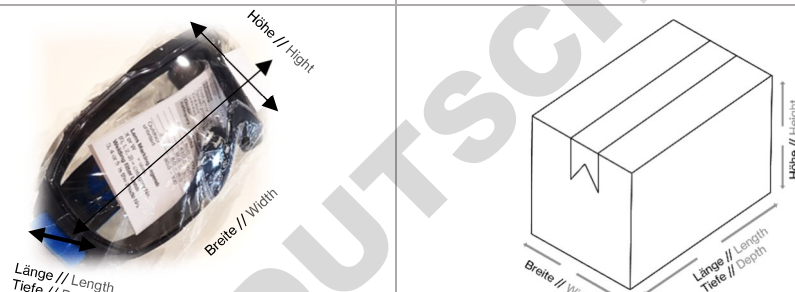
Headband	
Material	synthetic
Features	individually adjustable
Colour	anthracite, lime
Headband Hooks	
Material	PC
Colour	lime
Marking	
Manufacturer 's ID code	W
Applicable EN norm	166
Field of use	3 (drops and splashes of liquid) 4 (large dust particles)
Impact resistance	F (45 m/s)
Conformity symbol	CE

3. Technical Details Lens

Material	CA
Thickness	1.2 mm at PD
Coating	anti-fog on the inside
Colour	clear
UV protection	UV380
Replacement lens	9300517
Marking	
Filter	2C-1.2 (EN 170)
Manufacturer 's ID code	W
Optical class	1
Impact resistance	F (45 m/s)
Antifog	N
Conformity symbol	CE
Factory symbol	

4. Logistical Information

Product

Weight	116g	
Dimensions (L x W x B) in approx. mm		
	95 x 196 x 91 <small>picture only for reference</small>	
	Packing unit 1	Packing unit 2
EAN Code	4031101068008	4031101711034
Quantity in pcs.	1	80
Dimensions (L x W x H) in approx. mm		
	100 x 200 x 91 <small>picture only for reference</small>	600 x 400 x 400
Net weight in approx. g	116	9,280
Gross weight in approx. g	134	11,670
Country of Origin	Czech Republic	

5. Miscellaneous

Standards	EN 166 + EN 170
PPE Category	Category II