

Technical Data Sheet

Eppendorf twin.tec® PCR Plate 96, semi-skirted, 250 µL
English (EN)

1 Dimensions

General dimensions for plates with and without a barcode

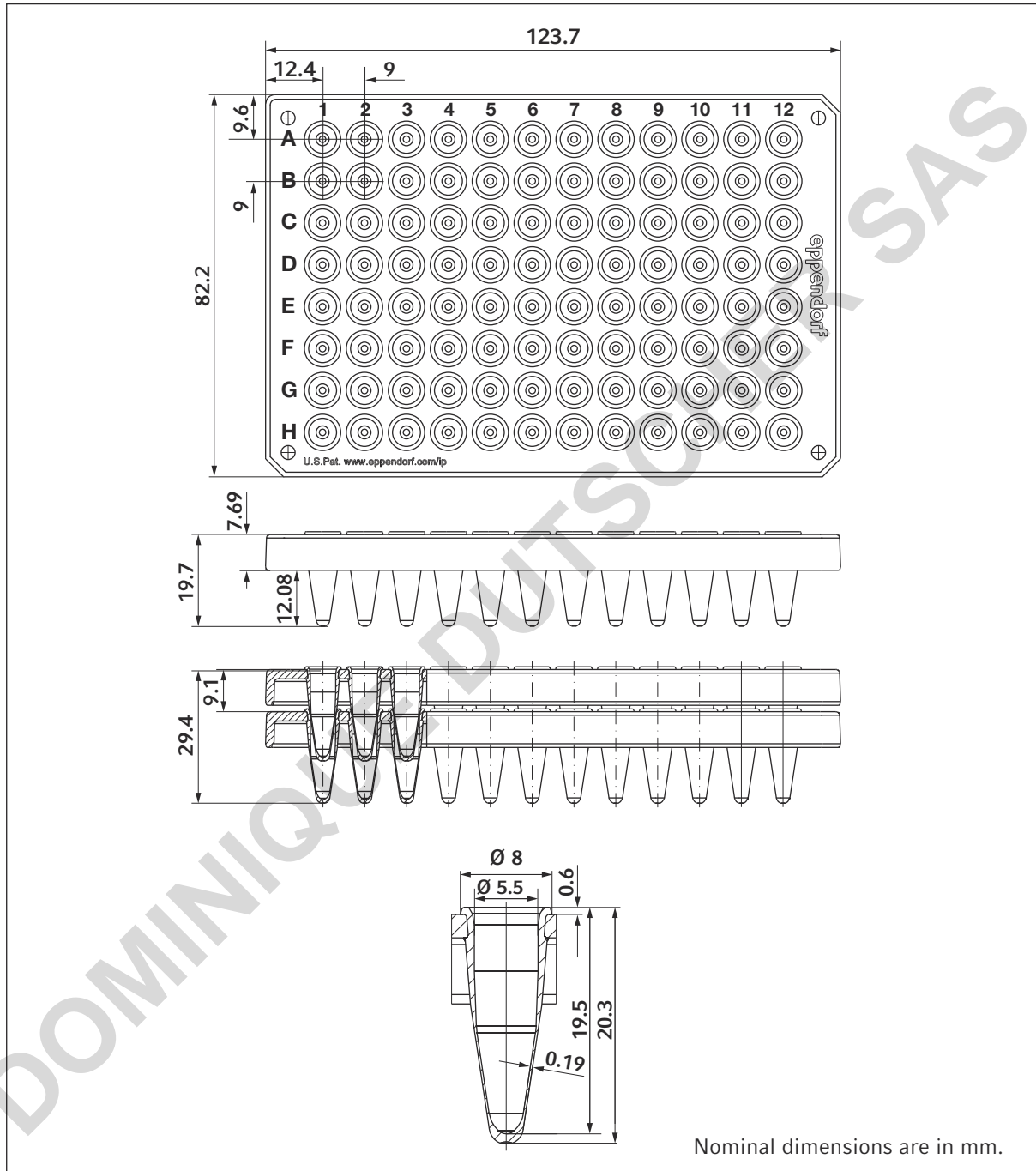


Fig. 1-1: Top view and detail view

Technical Data Sheet

Eppendorf twin.tec® PCR Plate 96, semi-skirted, 250 µL
English (EN)

Dimensions and position of customized barcodes

The number of sides and the content of barcodes are defined by the customer.

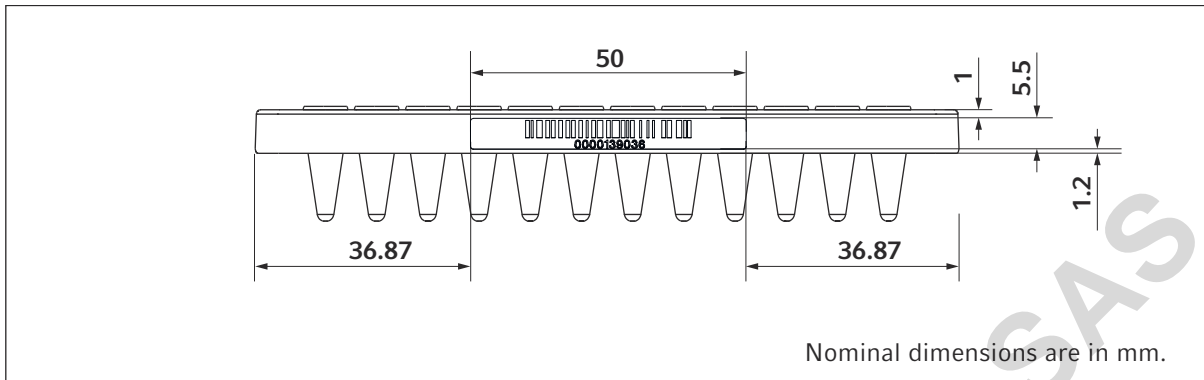


Fig. 1-2: Front view and rear view

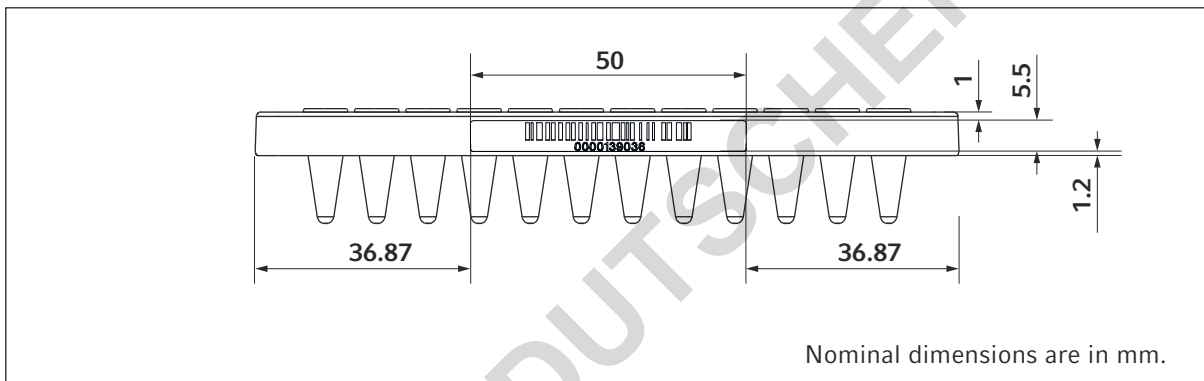


Fig. 1-3: Left and right side view

Labeling and optical grid of bio-based plates

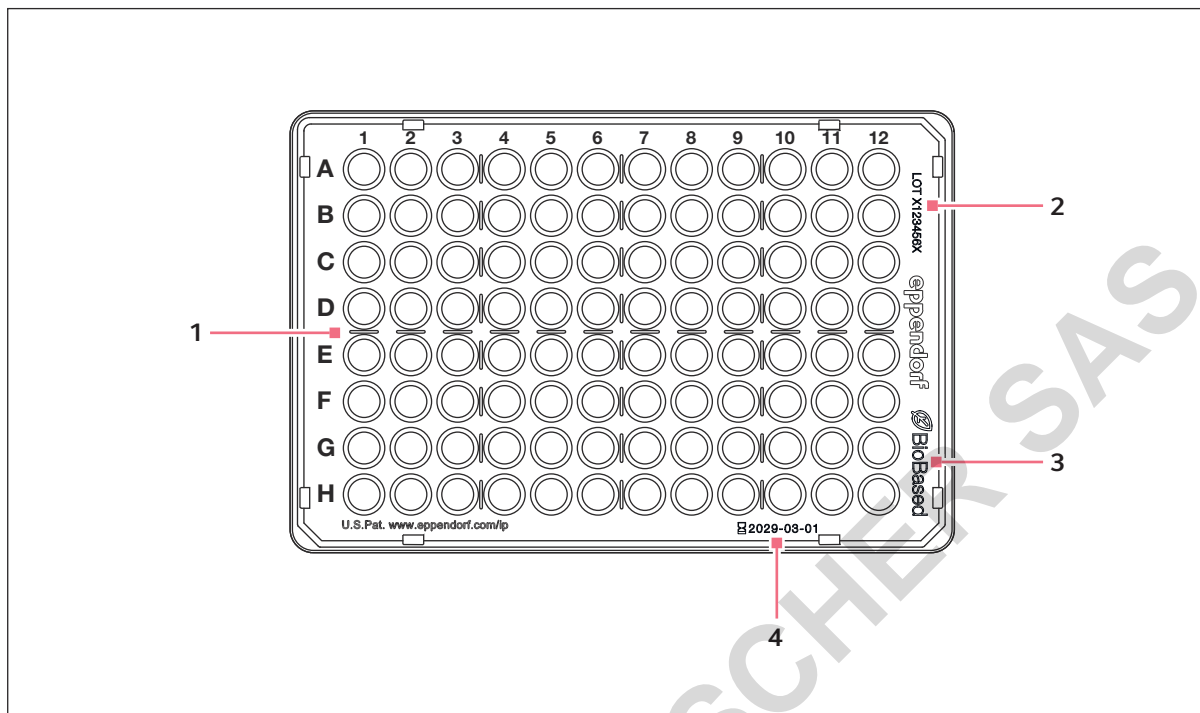


Fig. 1-4: Top view

- | | | | |
|---|--------------|---|---------------|
| 1 | Optical grid | 3 | BioBased logo |
| 2 | LOT number | 4 | Use-by date |

Your local distributor: www.eppendorf.com/contact

Eppendorf SE · Barkhausenweg 1 · 22339 Hamburg · Germany
eppendorf@eppendorf.com · www.eppendorf.com