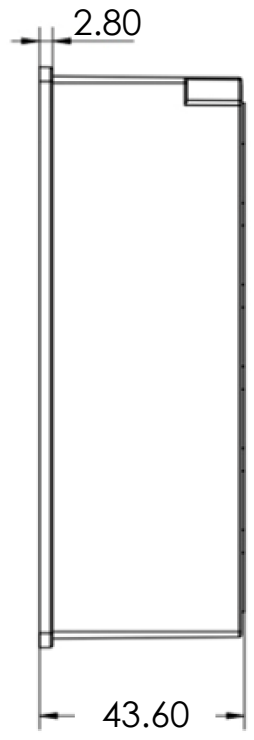
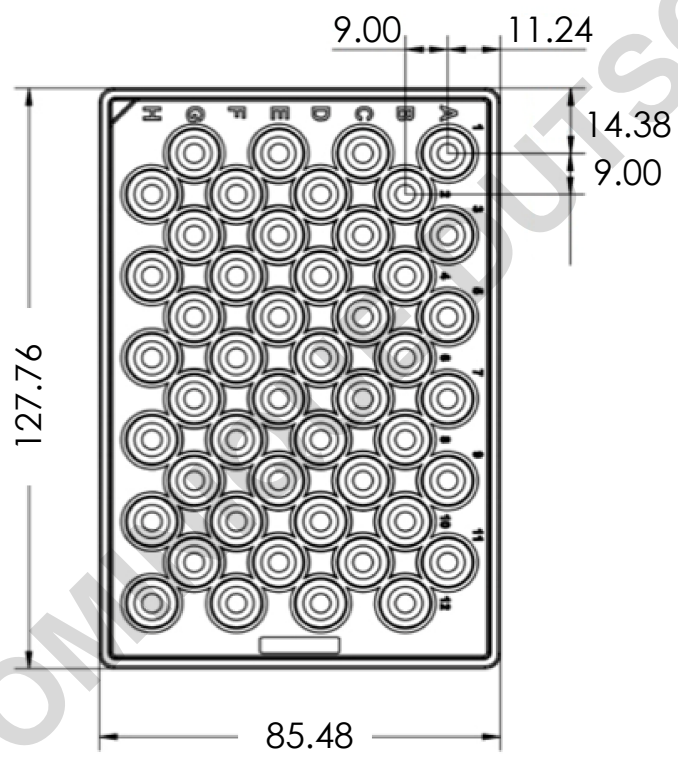
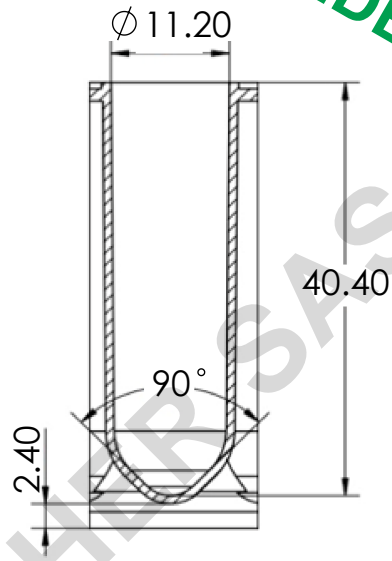
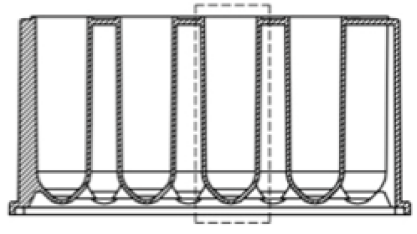
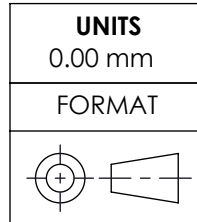


CONFIDENTIAL



PROPRIETARY AND CONFIDENTIAL:

THE INFORMATION CONTAINED IN THIS DRAWING IS THE SOLE PROPERTY OF SIMPORT Ltd. ANY REPRODUCTION IN PART OR AS A WHOLE WITHOUT THE WRITTEN PERMISSION OF SIMPORT Ltd IS PROHIBITED.



0	09/	FOR APPROVAL	INI
	DATE	DESCRIPTION	BY
TITLE: DEEP WELL PLATE, 48 ROUND WELLS, 3.5 ml			

Simport

MATERIAL: POLYPROPYLENE	
BY: A. PLANTE	SCALE: N.T.S.
APP.:	DATE: 2022-01-31
DRAWING: DC T110-18	PAGE: 1 / 1 REV.: 0