

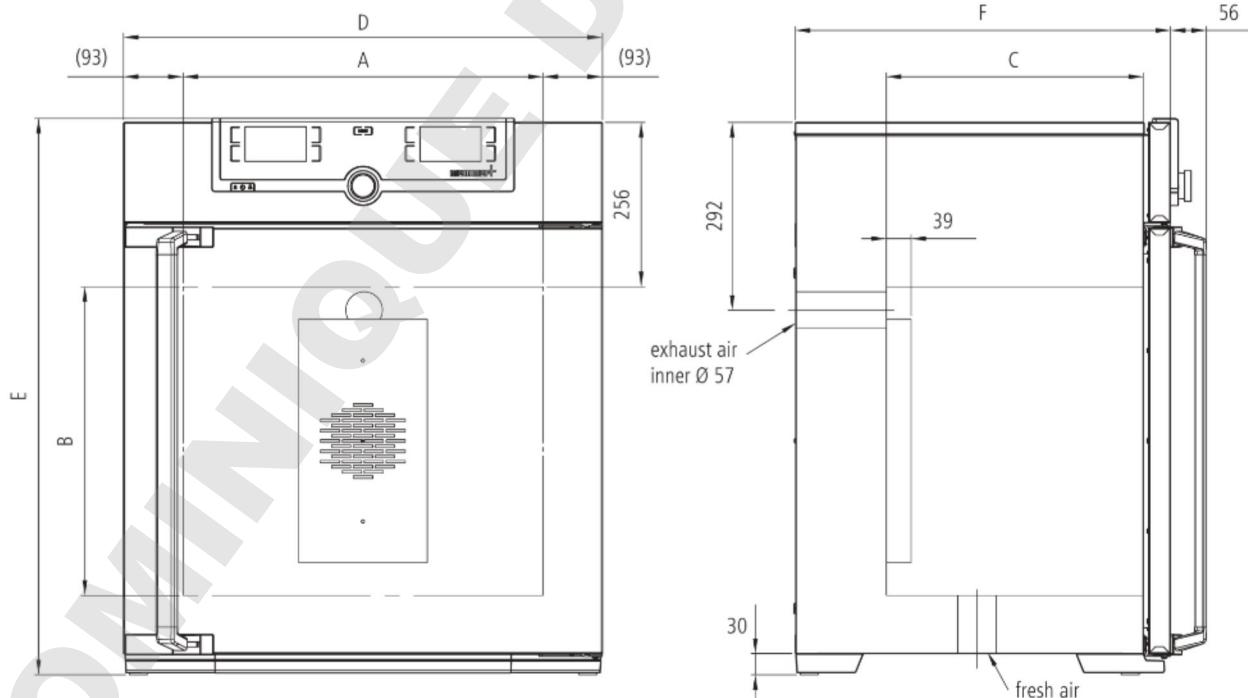


## Universal Oven Um UN55m

The heating oven Um is a Class I medical device in accordance with the EU directive 93/42/EEC.



This universal oven made of high-quality hygienic, easy to clean stainless steel leaves nothing to be desired in terms of ventilation technology, control technology, overtemperature protection and perfectly tuned heating technology.



## Temperature

**Set temperature range in °C** min. 5°C above ambient up to +300°C

**Temperature** 1 Pt100 sensor DIN class A in 4-wire-circuit

## Control technology

**Language setting** German, English, Spanish, French, Polish, Czech, Hungarian

**Control/COCKPIT** SingleDISPLAY. Adaptive multifunctional digital PID-microprocessor controller with high-definition TFT-colour display

**Timer** Digital backwards counter with target time setting, adjustable from 1 minute to 99 days

**Function Setpoint/WAIT** the process time does not start until the set temperature is reached

**Calibration** three freely selectable temperature values

**adjustable parameters** temperature (Celsius or Fahrenheit), air flap position, programme time, time zones, summertime/wintertime

## Ventilation

**Convection** natural convection

**Fresh air admixture** adjustment of pre-heated fresh air admixture by air flap control in 10 % steps

**Vent** vent connection with restrictor flap

## Communication

**Documentation** programme stored in case of power failure

**Programming** AtmoCONTROL software for reading out, managing and organising the data logger via Ethernet interface (temporary trial version can be downloaded). USB stick with AtmoCONTROL software available as accessory (on demand).

## Safety

**Temperature control** adjustable electronic overtemperature monitor and mechanical temperature limiter TB, protection class 1 according to DIN 12880 to switch off the heating approx. 20°C above nominal temperature

**Autodiagnostic system** for fault analysis

## Standard equipment

**Internals** 1 stainless steel grid(s), electropolished

**Works calibration certificate** Calibration at +160°C

**Door** fully insulated stainless steel door with 2-point locking (compression door lock)

### Stainless steel interior

**Interior** easy-to-clean interior, made of stainless steel, reinforced by deep drawn ribbing with integrated and protected large-area heating on four sides

**Volume** 0 l

**Dimensions W x H x D in mm**  $w_{(A)} \times h_{(B)} \times d_{(C)}$ : 400 x 400 x 330 mm

**Max. number of internals** 4

**Max. loading of chamber** 80 kg

**Max. loading per internal** 20 kg

### Textured stainless steel casing

**Dimensions**  $w_{(D)} \times h_{(E)} \times d_{(F)}$ : 585 x 784 x 514 mm

**Housing** rear zinc-plated steel

### Electrical data

**Voltage** 230 V, 50/60 Hz

**Electrical load** approx. 2000 W

**Voltage** 115 V, 50/60 Hz

**Electrical load** approx. 1700 W

### Packing/shipping data/Setting Up

**Set Up** The distance between the wall and the rear of the appliance must be at least 15 cm. The clearance from the ceiling must not be less than 20 cm and the side clearance from walls or nearby appliances must not be less than 5 cm.

**Transport information** The appliances must be transported upright

**Customs tariff number** 8419 8998

**Country of origin** Federal Republic of Germany

**WEEE-Reg.-No.** DE 66812464

**Dimensions approx incl. carton** B x H x T: 730 x 950 x 670 mm

**Net weight** approx. 57 kg

**Gross weight carton** approx. 76 kg

Standard units are safety-approved and bear the test marks

