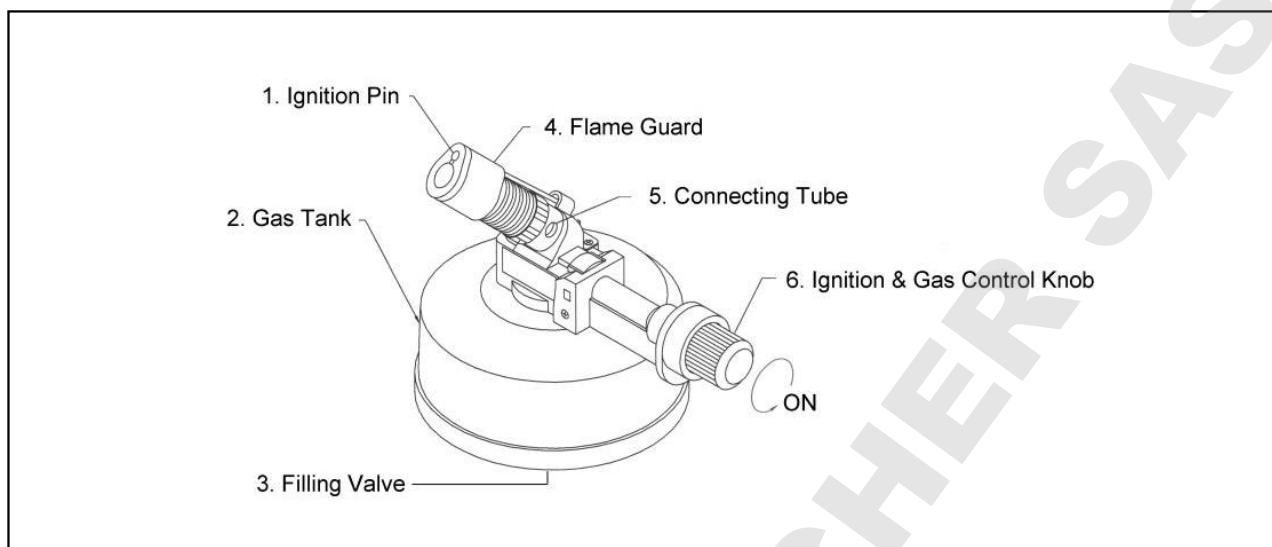


Dragon 220 TILT HEAD LAB BURNER



ATTENTION: This unit does not contain any butane gas when purchased. Please follow below to make it operational.

1. FUEL FILLING AND REFILLING

- Make sure the gas burner is switched off before filling.
- Reverse the unit upside down,
- Insert the container's nozzle vertically in a downward motion into the FILLING VALVE ③ on the bottom of the unit.
- When the fuel begins to overflow, remove the nozzle from the filling valve to stop the filling operation. It means the unit is full of gas.
- Allow a few minutes for the fuel to stabilize in the fuel tank.

2. IGNITION

- Please adjust the position of Air Control Sleeve to align the small hole on the sleeve with the hole on the CONNECTING TUBE. ⑤
- Turn the IGNITION BUTTON ⑥ to the left (counterclockwise) about 90 degree.
- Press the IGNITION BUTTON ⑥ to light the flame.

3. SHUT-OFF

Turn the IGNITION BUTTON ⑥ to right (clockwise) to decrease until the end to shut off the flame.

4. FLAME LENGTH ADJUSTMENT

After the ignition, adjust the CONNECTING TUBE ⑤ to adjust the flame shape.

5. WARNING

- Do not touch FLAME GUARD ④ when hot.
- Keep out of reach of children.
- Do not drop. Do not operate or store in temperature exceeding 50°C.
- Do not try to disassemble the unit.