

# XDS35i DRY SCROLL PUMPS

edwardsvacuum.com

## XDS35i and XDS35i Enhanced Family

The XDS35i family of scroll pumps offer proven dry, clean vacuum solutions for a wide range of applications, with smart drive technology to look after the pump and provide world wide performance.

Now, a combination of the patented double start scroll form technology and by-pass valves have enabled Edwards to offer the XDS35i Enhanced range of pumps to complement our original family.

Take another step.

With reduced peak power requirements at roughing pressures and continuous higher roughing speeds these enhanced pumps enable the user to take another step in terms of the performance envelope to address those special applications where roughing performance or the ability to evacuate a large volume is important.

XDS35i and XDS35i Enhanced pumps are available as standard pumps with gas ballast, versions of the pump with no Gas Ballast (well suited for rare gas recirculation and gas recovery applications) and the C versions of the pumps featuring Chemraz® internal valves and stainless steel fittings for extra protection from the pumped media.



## Features and benefits

### Bearing shield

ensures separation between process gases and bearing lubrication to ensure clean vacuum and no possibility of contamination to lubrication from process gases, which prolongs bearing life.

### Smart motor drive

means consistent performance globally, pump overload protection and remote start/stop capability.

### High flow gas ballast feature

allows pumping of vapours including water vapour at up to 240 gh<sup>-1</sup>.

### Simple single sided scroll design

allows maintenance to be done in minutes for low cost of ownership and maximum up-time.

### Take another step

the Enhanced versions offer up to 20% lower peak power requirements during initial pump down which means it has the ability to pump down large volume chambers with no loss of performance and has up to 25% more pumping speed at these roughing pressures which helps on higher frequency cycling applications as well.

Technical data

	Units	XDS35i	XDS35i Enhanced
Peak pumping speed	m <sup>3</sup> h <sup>-1</sup> (cfm)	35 (21)	
Ultimate vacuum <sup>(1)</sup>	mbar (Torr)	0.01 (0.008)	0.03 (0.02)
Ultimate vacuum with gas ballast 1	mbar (Torr)	0.02 (0.015)	0.04 (0.03)
Ultimate vacuum with gas ballast 2	mbar (Torr)	< 10 (7.5)	
Max inlet pressure for water vapour	mbar (Torr)	35 (23)	
Water vapour handling capacity GBII	gh <sup>-1</sup>	240	
Maximum continuous inlet pressure	mbar a (Torr a)	40 (30) <sup>(2)</sup>	1000 (760) *
Maximum gas ballast/purge pressure	bar gauge (psig)	0.5 (7)	
<b>Motor data</b>			
Supply voltage	V	100-120/200-240 (+/- 10%)	
Supply frequency	Hz	50/60	
Nominal rotation speed	rpm	1750	
Power at ultimate	W	440	
Motor power	W	520	
Power connector		IEC EN60320 C19	
Recommended fuse, 230 V (115 V)	A	16 <sup>(3)</sup> (15)	
<b>Physical data</b>			
Weight	kg (lb)	48 (105)	
Inlet connection		NW40	
Exhaust connection		NW25	
Noise level at ultimate	dB(A)	57	
Vibration at inlet flange	mms <sup>-1</sup> (rms)	< 4.5	
Leak tightness (static)	mbar ls <sup>-1</sup>	< 1 x 10 <sup>-6</sup>	
Operating temperature range	°C (°F)	5 to 40 (41 to 104)	

\* Use at higher inlet pressure speeds up tip seal wear

(1) measured as total pressure

(2) These pumps are designed to pump down from atmospheric pressure, but prolonged operation at inlet pressures higher than specified may reduce bearing life.

(3) for UK 240 V use 13 A fuse



## Ordering information

### Pumps:

	Order number
XDS35i 100-120/200-230V 1PH 50/60Hz	A73001983
XDS35i NGB 100-120/200-230V 50/60Hz	A73005983
XDS35iC 100-120/200-230V 1PH 50/60Hz	A73006983
XDS35iE 100-120/200-230V 1PH 50/60Hz Enhanced	A73003983
XDS35iE NGB 100-120/200-230V 50/60Hz Enhanced	A73007983
XDS35iCE 100-120/200-230V 1PH 50/60Hz Enhanced	A73008983

### Extended warranty:

Product	2 year	3 year
XDS35i & E	EW2AA5005	EW3AA5005

### Accessories and spares:

	Product description	Order number
Accessories	Exhaust silencer XDS35i	A50597001
	Gas ballast adaptor with 0.25 mm restrictor	A50626801
	Gas ballast adaptor with no restrictor	A50502000
	Vibration isolator (pack of 4)	A24801408
	Inlet/exhaust filter NW25	A50597805
	Inlet/exhaust filter NW40	A50597806
	XDS acoustic enclosure 110-120 V	NRYS0C0000
	XDS acoustic enclosure 200-240 V	NRD797000
Spares	Silencer spares kit	A50597801
	XDS filter 5 micron element kit	A50597802
	XDS filter 1 micron element kit	A50597803
Cord sets	UK, three pin plug	A50505003
	North European plug	A50506003
	North America/Japan plug	A50507003
	No plug	A50508003

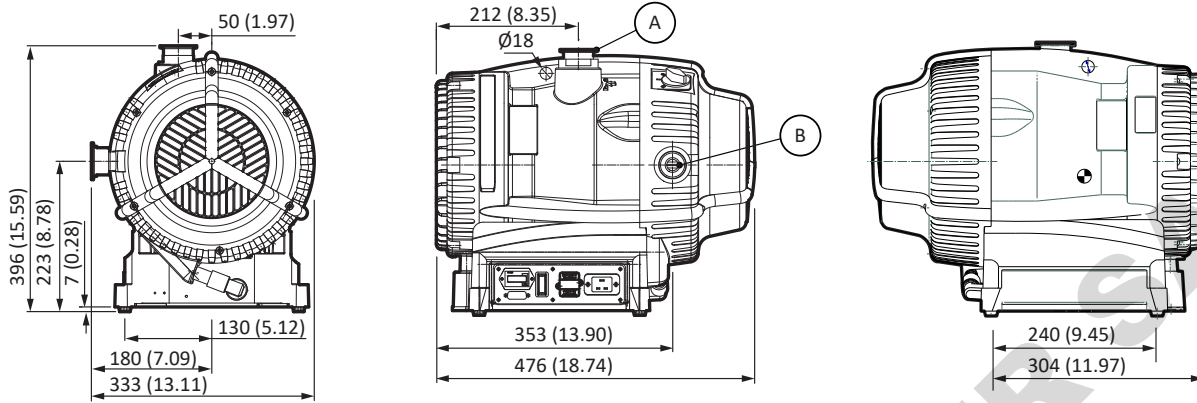
### XDS35i Family Pump spares kits:

Product	Part number	XDS 35i	XDS 35iC	XDS 35i NGB	XDS 35iE	XDS 35iCE	XDS 35iE NGB
Tip seal & exhaust service kit XDS35i	A73001801	X	X	X	X	X	X
Exhaust valve kit (Chemraz®)	A73001814	-	X	-	-	X	-
Gas ballast kit XDS35i	A73001803	X	-	-	X	-	-
Gas ballast kit (Chemraz®)	A73001815	-	X	-	-	X	-
By-pass valve Kit 35iE	A73003804	-	-	-	X	-	X
By-pass valve Kit 35iEC (Chemraz®)	A73008804	-	-	-	-	X	-

Please remember to order appropriate valve and gas ballast kits as required



Dimensions

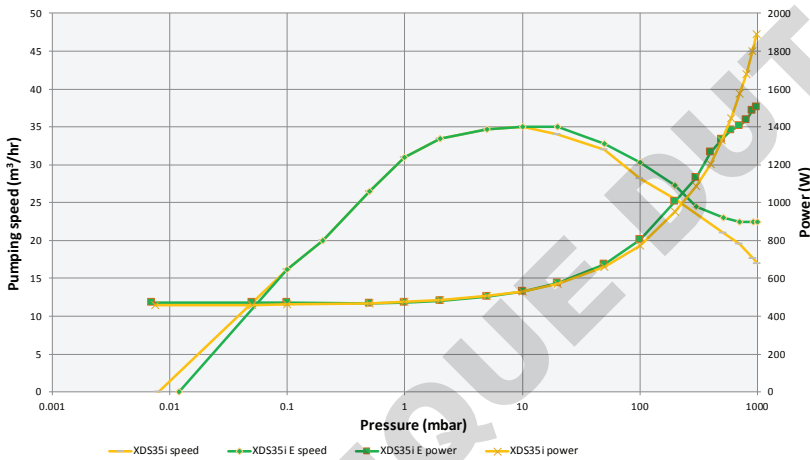


A. NW40  
B. NW25

Performance

XDS35i

PUMPING SPEED AND POWER



The graph shows typical pump performance  
Note that peak power for XDS35i is supplied for a short period of time before the intelligent drive reduces the power and speed  
XDS35i Enhanced, with its bypass valves, is not limited and will pump down continuously at full speed

GLOBAL CONTACTS

Publication Number: 3601 0458 01

© Edwards Limited 2018. All rights reserved Edwards and the Edwards logo are trademarks of Edwards Limited.

Whilst we make every effort to ensure that we accurately describe our products and services, we give no guarantee as to the accuracy or completeness of any information provided in this datasheet.

Edwards Ltd, registered in England and Wales  
No. 6124750, registered office: Innovation Drive,  
Burgess Hill, West Sussex, RH15 9TW, UK.

EMEA

UK	+44 1444 253 000 (local rate) 08459 212223
Belgium	+32 2 300 0730
France	+33 1 4121 1256
Germany	0800 000 1456
Italy	+ 39 02 48 4471
Israel	+ 972 8 681 0633

ASIA PACIFIC

China	+86 400 111 9618
India	+91 20 4075 2222
Japan	+81 47 458 8836
Korea	+82 31 716 7070
Singapore	+65 6546 8408
Taiwan	+886 3758 1000

AMERICAS

USA	+1 800 848 9800
Brazil	+55 11 3952 5000

