

# Citadel™

Deep Well Plates & Cluster Tubes



Secure Vessels for Storage & Reaction

**SSIbio** 

# Citadel™ Deep-Well Plates

**Ideal for sample collection, preparation, and long-term storage.**

- HTS-friendly—compatible with most liquid-handling robots.
- Centrifugation to 4,000 x G RCF.
- Manufactured from virgin polypropylene to ensure purity and sample integrity, chemical resistance, and compatibility with long-term storage needs.
- Alphanumeric indexing molded in on A-H and 1-12 axes.
- Optimum sample mixing and recovery with highly-polished wells and radiused corners.
- Raised rims on each well facilitate secure sealing with films and sealing mats.
- Bar coded plates available—contact SSIBio for details.
- Autoclavable.
- Certified free of detectable DNase, RNase, DNA, and PCR inhibitors. Sterile plates are also pyrogen-free.



7631-00



775B-00



7651-00



7753-00



7832-00



76M1-00



77M1-00



7A5A-00

## Deep Well Plates

Item #	Description	Number of Wells	Packaging
7631-00	1.1 mL Deep-Well Plate, Round Bottom	96 Round Wells	5/unit, 10 units/case
7631-S0	1.1 mL Deep-Well Plate, Round Bottom, Sterile	96 Round Wells	
775B-00	1.1 mL Deep-Well Plate, Square, V-Bottom	96 Square Wells	
7651-00	2 mL Deep-Well Plate, Round Bottom	96 Round Wells	
7651-S0	2 mL Deep-Well Plate, Round Bottom, Sterile	96 Round Wells	
7753-00	2 mL Deep-Well Plate, Square, V-Bottom	96 Square Wells	
7753-S0	2 mL Deep-Well Plate, Square, V-Bottom, Sterile	96 Square Wells	
7832-00	240 µL Deep-Well Plate, V-Bottom	384 Square Wells	
7832-S0	240 µL Deep-Well Plate, V-Bottom, Sterile	384 Square Wells	

## Sealing Mats

- Designed to precisely fit Citadel Deep-Well Plates to ensure optimal sealing across a wide range of temperatures.
- Piercable
- Reusable

Item #	Description	Well Fit	Packaging
76M1-00	Sealing Mat for Deep-Well Plate	96 Round Wells	10/unit, 5 units/case
76M1-S0	Sealing Mat for Deep-Well Plate, Sterile	96 Round Wells	
77M1-00	Sealing Mat for Deep-Well Plate	96 Square Wells	10/unit, 5 units/case
77M1-S0	Sealing Mat for Deep-Well Plate, Sterile	96 Square Wells	

## Reservoir

Item #	Description	Volume	Max Volume	Number of Channels	Packaging
7A5A-00	12-Channel Reservoir	20 mL	22 mL	12 Channels	5/unit, 4 units/case



# Citadel™ Deep Well Plates

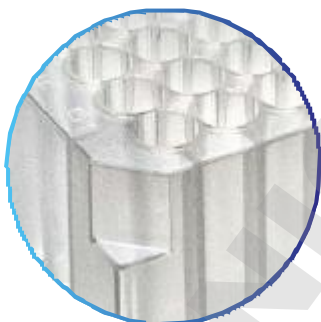
SBS footprint meets ANSI/SLAS 1-2004.

Flatness tested for reliable automation performance.

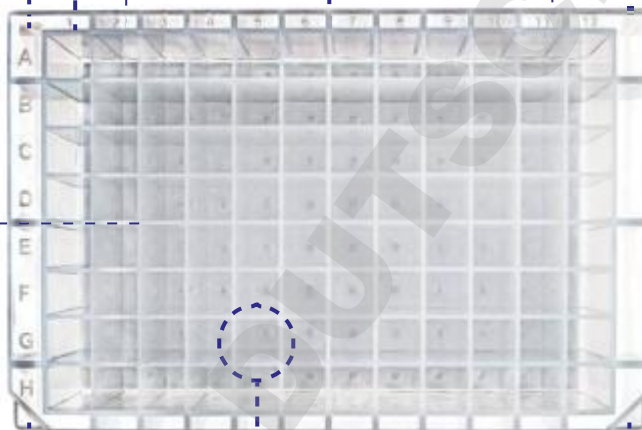
High-Contrast Alphanumeric Indexing molded in on A-H and 1-12 axes.



Raised rims on each well facilitate secure sealing with films or sealing mats.



Corner notches at H1 and H12 for easy orientation.



7753-00



Stackable.



Ultra-clear for easy visualization of samples.

Purity Assured

Products are certified free of RNase, DNase, DNA, and PCR inhibitors, also endotoxin-free.



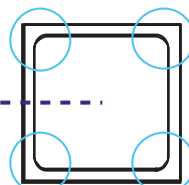
Autoclavable

Products may be sterilized at 121°C and 15psi for 15 minutes.

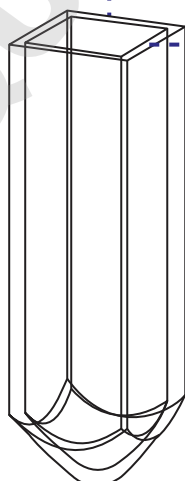


Recyclable

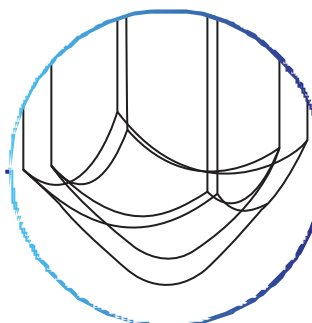
All tubes and plates are manufactured from virgin polypropylene and fully compliant with recycling standards.



Radiused corners.



Radiused corners and highly-polished wells with smooth transitions prevent capillary wicking and facilitate thorough sample mixing and recovery.



Smooth transitions.

# Citadel™

## Secure Vessels for Storage & Reaction

Citadel Deep-Well Plates and Cluster Tube Systems are ideal for high-throughput screening processes and long-term storage. It all begins with medical-grade, virgin polypropylene, combined with proprietary injection molding techniques to produce high-clarity vessels that are exceptionally robust, chemically-resistant, and pure.

- Deep-well plates are ideal for sample collection, prep, and long-term storage.
- Cluster tubes are ideal for storage, dilution, mixing, harvesting, culture assays, and screening.
- Deep-well plates and tube racks have SBS footprint for use in automation.

### Cluster Tubes & Rack Systems

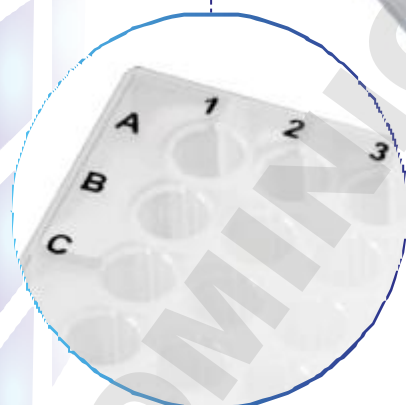
Rack system is suitable as a reaction vessel in your robotic workstation or as a long-term storage vessel in your sample library.



A clear lid is a standard part of the rack system.



Available with individual tubes, strips of 8 tubes, or strips of 12 tubes.



Bold, black alphanumeric indexing



Tubes and racks are made from virgin polypropylene; strip caps are polyethylene.

## Cluster Tubes & Rack Systems

Ideal for storage, dilution, mixing, harvesting, culture assays, and screening.

- SBS footprint; 8 × 12 format.
- Ideal for automation / HTS.
- Available in individual tubes, strips of 8 tubes, and strips of 12 tubes.
- Tubes and racks are made from virgin polypropylene; strip caps are polyethylene.
- Rack systems are suitable as a reaction vessel in your robotic workstation or as a long-term storage vessel in your sample library.
- A clear lid is a standard part of rack system.
- Bold, black alphanumeric indexing.
- Autoclavable.
- Certified free of detectable DNase, RNase, DNA, and PCR inhibitors. Sterile tubes and plates are also pyrogen-free.

### Non-Racked Tubes

Item #	Sterile Item #	Volume	Description	Packaging
703A-00	n/a	1.2 mL	Individual Tubes	1000/unit, 10 units/case
703B-00	n/a		Strips of 8 Tubes	125/unit, 10 units/case
703C-00	n/a		Strips of 12 Tubes	80/unit, 10 units/case



703A-00



703B-00



703C-00

### Cap Strips

Item #	Sterile Item #	Description	Packaging
7032-00	7032-S0	Strips of 8 Caps	125/unit, 10 units/case
7033-00	7033-S0	Strips of 12 Caps	80/unit, 10 units/case



7032-00



7033-00

### Racked Tubes with Lid

- Rack system is suitable as a reaction vessel in your robotic workstation or as a long-term storage vessel in your sample library.

Item #	Sterile Item #	Tube Volume	Description	Packaging
713A-00	713A-S0	1.2 mL	Individual Tubes, Racked	10/unit, 10 units/case
713B-00	713B-S0		Strips of 8 Tubes, Racked	10/unit, 10 units/case
713C-00	713C-S0		Strips of 12 Tubes, Racked	10/unit, 10 units/case



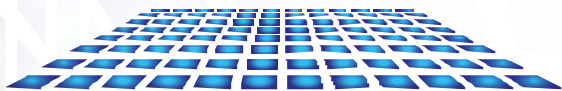
713A-00  
713B-00  
713C-00



Made in USA

# Citadel™

Deep Well Plates & Cluster Tubes



## Innovations for Life Science

For more than 25 years, Scientific Specialties, Inc. has focused on bringing innovative, high-quality plasticware to life science. From the initial concept of a product to its finished form, all aspects of the design, production, and final inspection are controlled by processes that are ISO-certified.

Citadel vessels are produced in a fully-automated, climate-controlled clean environment unparalleled in our industry. This ensures that product is uniform, pure, and worthy of your trust—every time.



**Secure Vessels for Storage & Reaction**

## SSIBio

Scientific Specialties, Inc.  
1310 Thurman Street, Lodi, CA USA 95240  
Phone: + 1 (209) 333-2120  
[www.SSIBio.com](http://www.SSIBio.com)



Made in USA