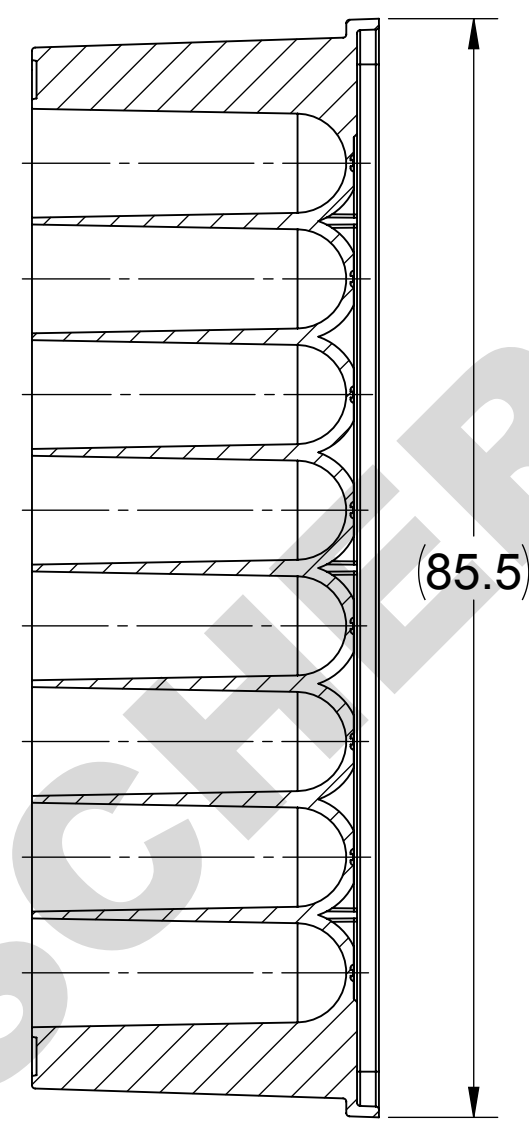
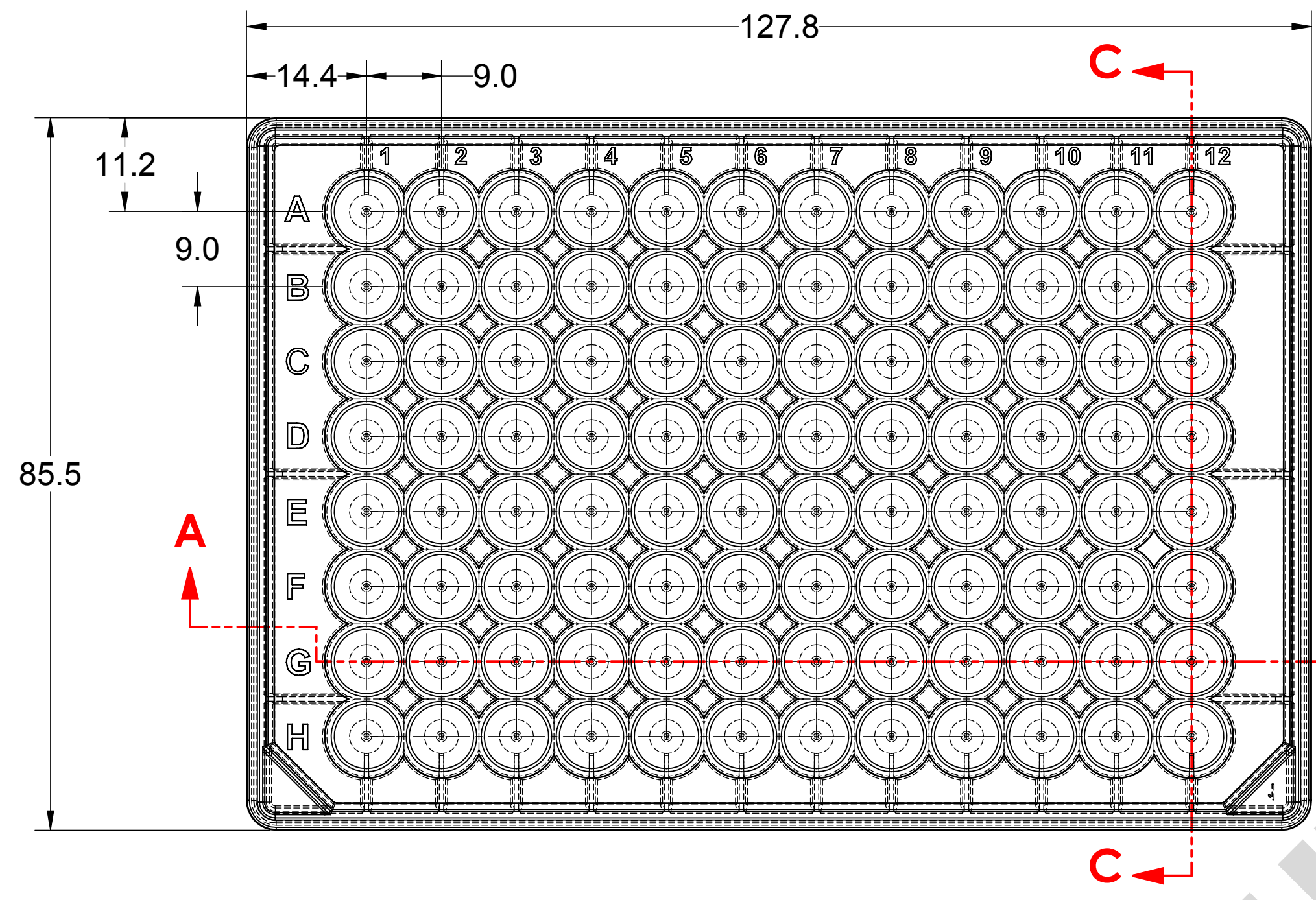
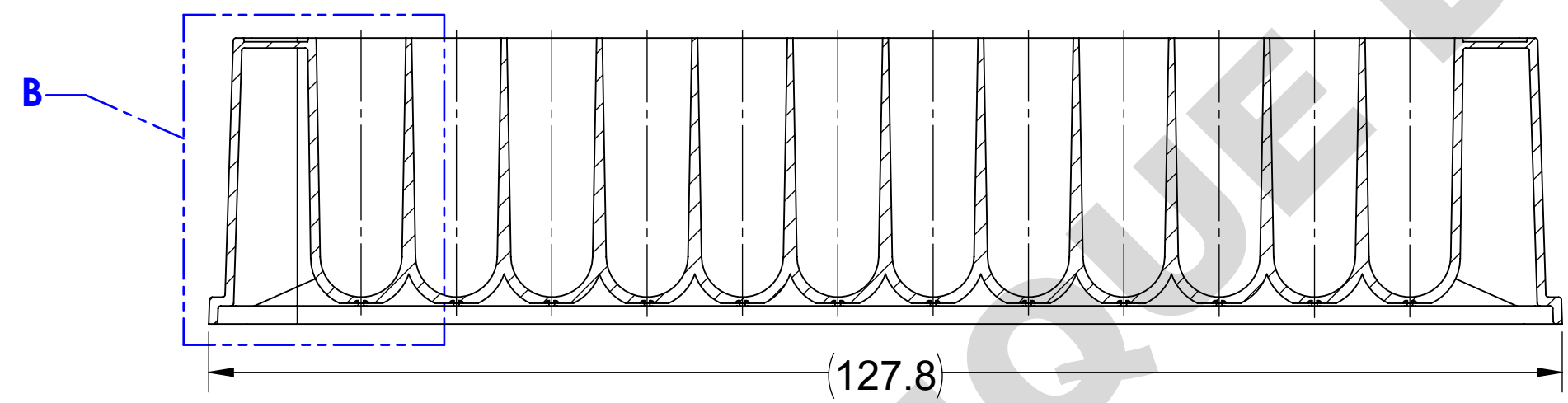
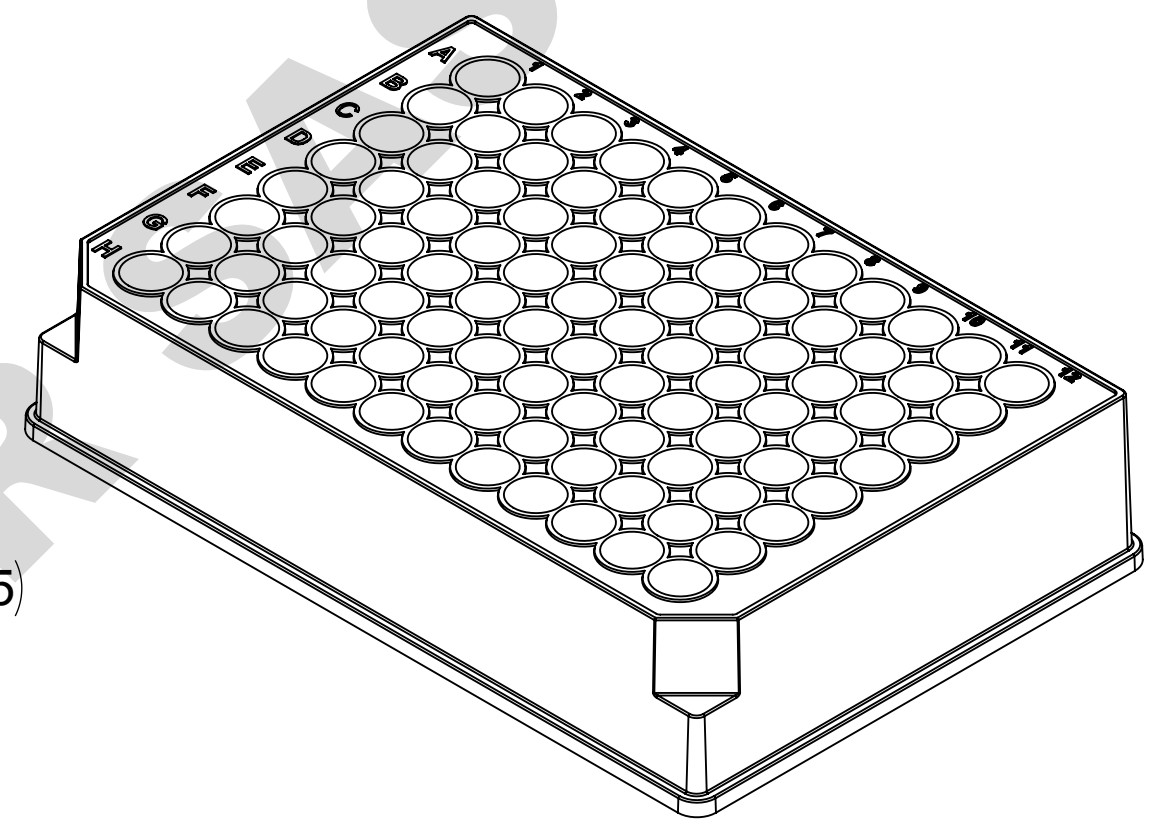


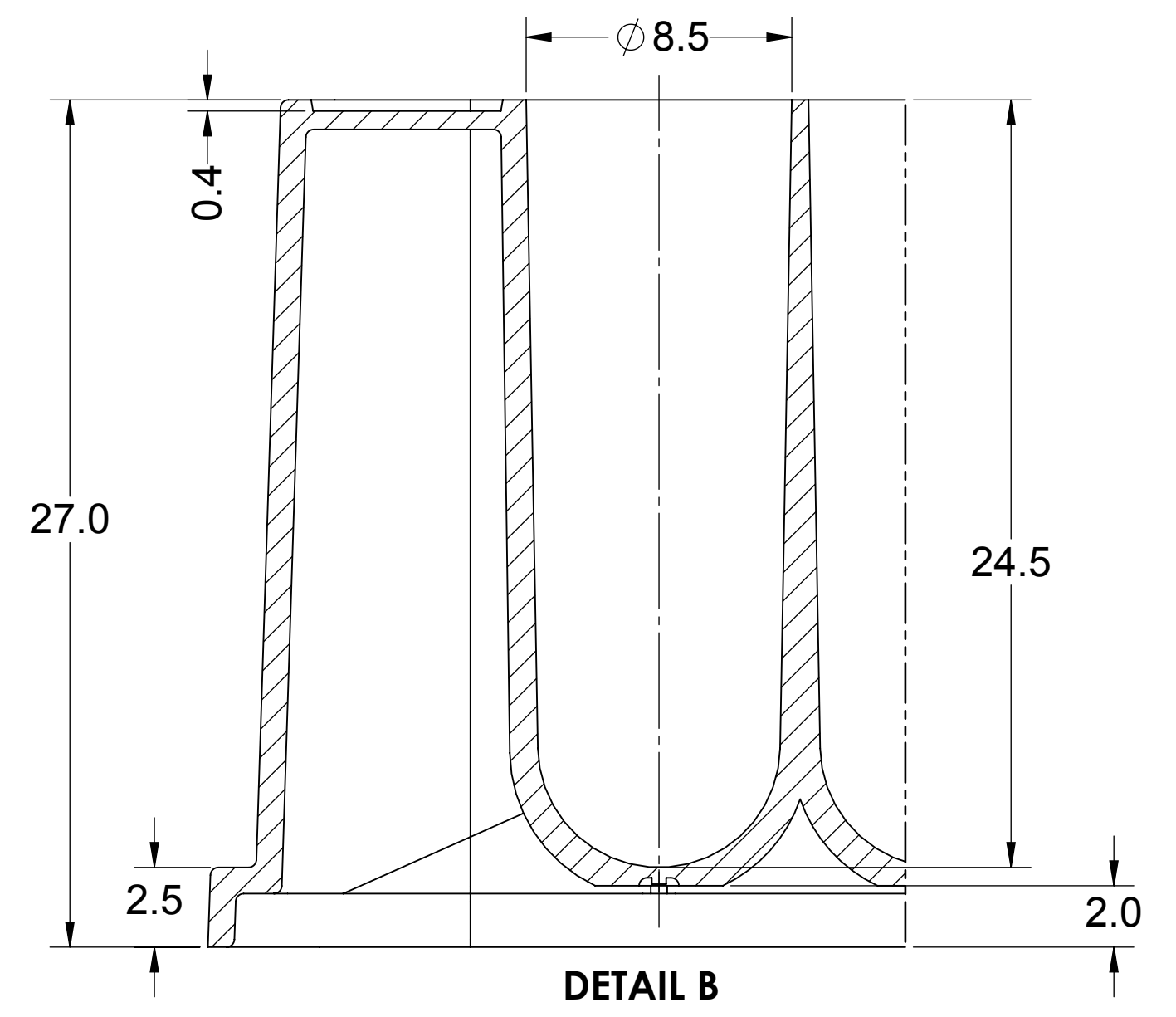
**Copyright Scientific Specialties, Inc.**  
 This drawing and/or any technical information relating to it is issued in strict confidence and may not be reproduced or used for manufacture without written permission. Upon receipt of which it is the user's responsibility to seek confirmation of any dimensions and production tolerances.



SECTION C-C



SECTION A-A



DETAIL B



52.3  
STACKED

TITLE: 96 WELL ROUND LOW PROFILE HTS RACK		
ITEM: 7631-XX	REV.: REL	DATE: 10/13/2017