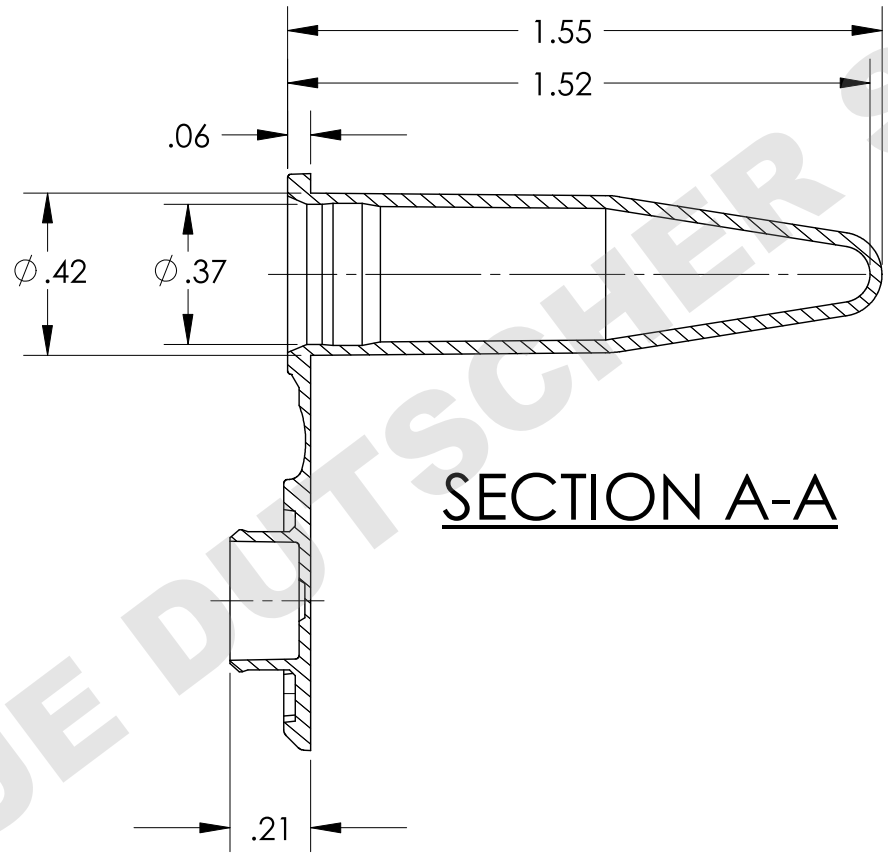
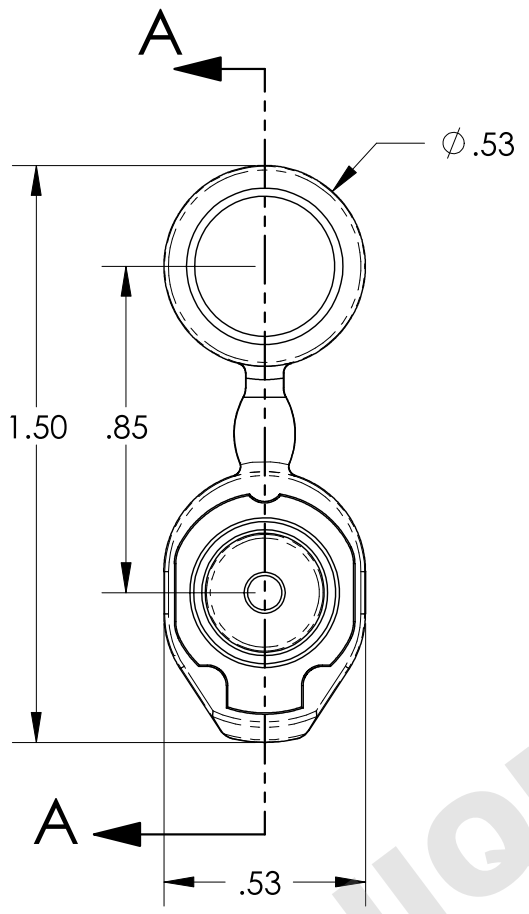
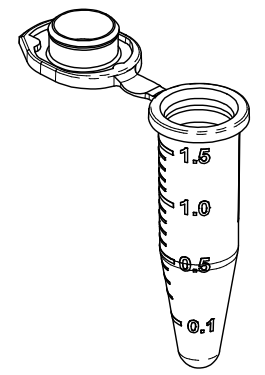


REVISIONS			
REV.	DESCRIPTION	DATE	APPROVED



**SECTION A-A**



UNLESS OTHERWISE SPECIFIED  
DIMENSIONS ARE IN INCHES  
TOLERANCES ARE:  
FRACTIONS DECIMALS ANGLES  
+1/64 .XX ± .01 + 1  
.XXX ± .001  
.XXXX ± .0005

MATERIAL --

FINISH --

DO NOT SCALE DRAWING

CAD GENERATED DRAWING,  
DO NOT MANUALLY UPDATE

APPROVALS	DATE
DRAWN S. KRAMER	12/7/2004
CHECKED	
RESP ENG	
MFG ENG	
QUAL ENG	



1310 Thurman Street  
Lodi CA, 95240  
Ph: (209) 333-2120  
Fx: (209) 333-8623  
tooling@scientificspecialties.com

**1260-00**  
TUBE, 1.5mL, MICROCENTRIFUGE,  
EASYOPEN

SIZE A	SHRINK RATE	REV. --
SCALE 2:1	JOB NO.	SHEET 1 OF 1

PRINTED 12/7/2004