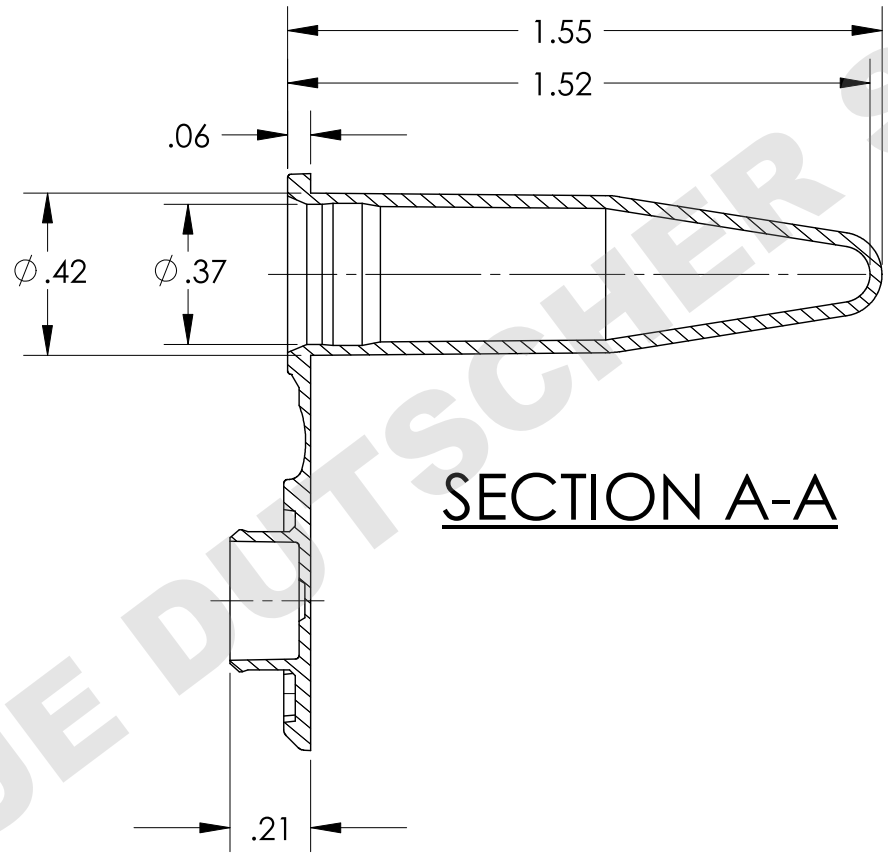
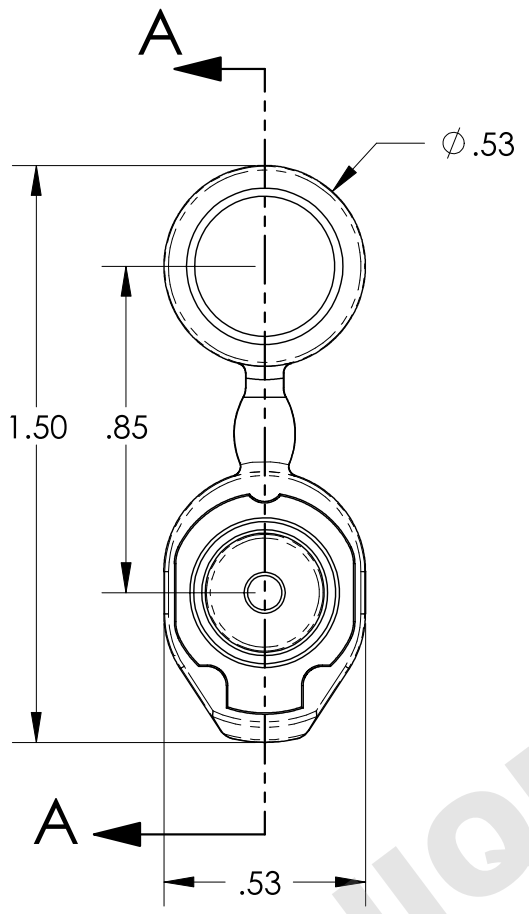
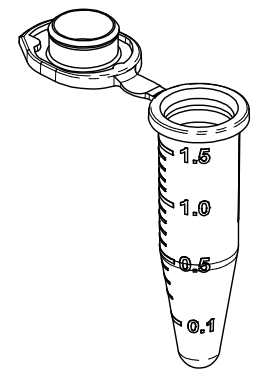


| REVISIONS | | | |
|-----------|-------------|------|----------|
| REV. | DESCRIPTION | DATE | APPROVED |
| | | | |
| | | | |
| | | | |



SECTION A-A



UNLESS OTHERWISE SPECIFIED DIMENSIONS ARE IN INCHES TOLERANCES ARE:

| FRACTIONS | DECIMALS | ANGLES |
|-----------|---------------|--------|
| +1/64 | .XX ± .01 | + 1 |
| | .XXX ± .001 | |
| | .XXXX ± .0005 | |

| | |
|----------------------|----|
| MATERIAL | -- |
| FINISH | -- |
| DO NOT SCALE DRAWING | |

CAD GENERATED DRAWING, DO NOT MANUALLY UPDATE

| | |
|--------------------|-----------|
| APPROVALS | DATE |
| DRAWN S. KRAMER | 12/7/2004 |
| CHECKED | |
| RESP ENG | |
| MFG ENG | |
| QUAL ENG | |



1310 Thurman Street
Lodi CA, 95240
Ph: (209) 333-2120
Fx: (209) 333-8623
tooling@scientificspecialties.com

1260-00
TUBE, 1.5mL, MICROCENTRIFUGE,
EASYOPEN

| | | |
|------------------|-------------|--------------|
| SIZE A | SHRINK RATE | REV. -- |
| SCALE 2:1 | JOB NO. | SHEET 1 OF 1 |

PRINTED 12/7/2004