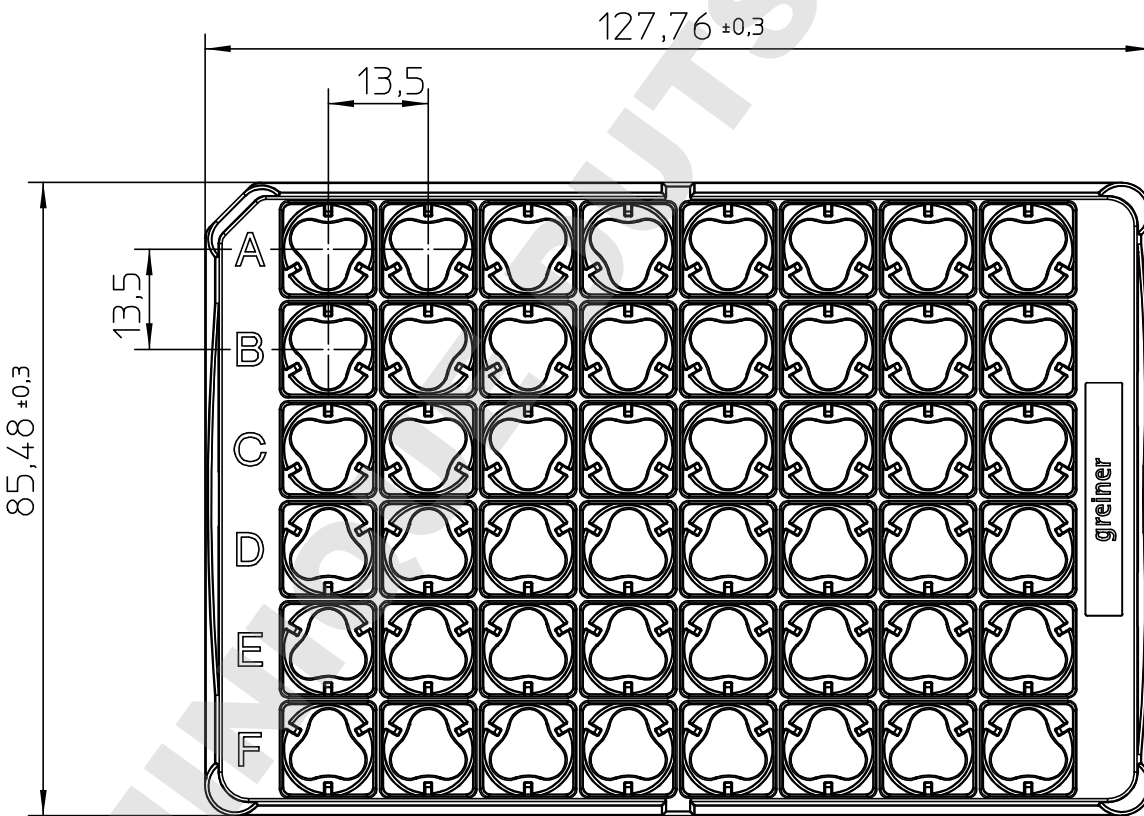
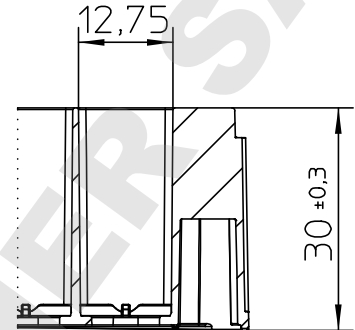
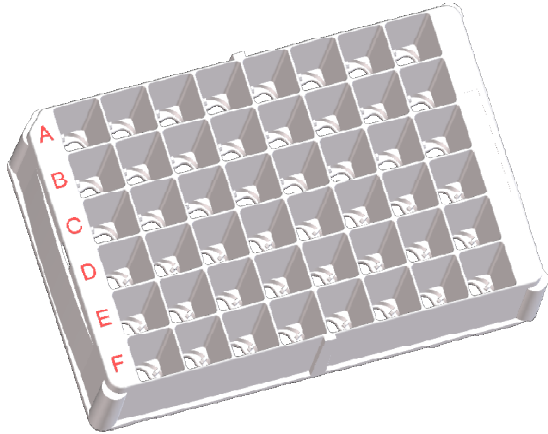


Valid for Item-No.: 803277, 803202, 803270



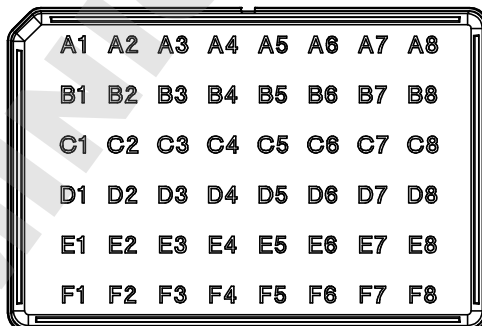
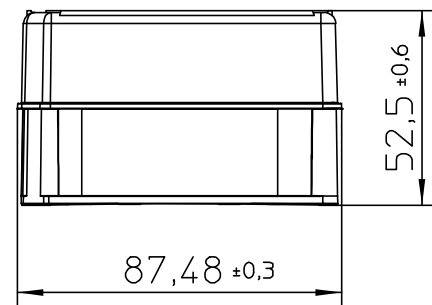
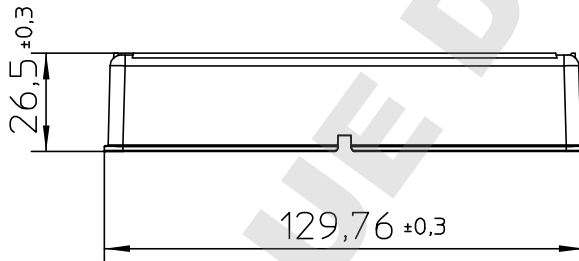
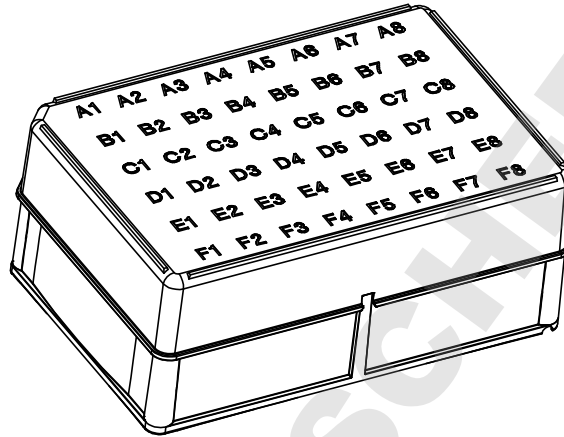
"All dimensions in mm"

Customer drawing subject to change without notice!

Uncontrolled Copy

Prior Issue	Drawn	Approved	Released	CONFIDENTIAL: Information contained in this document or drawing is confidential and proprietary to Greiner Bio-One GmbH. This document may not be reproduced for any reason without written permission from Greiner Bio-One GmbH. All rights of design, invention, and copyright are reserved.
Revision 1	Date 2011/09/07	Date 2014/10/13	Date 2014/10/13	
Date 2011/09/08	Name falter	Name falter	Name sonntag	

Valid for Item-No.: 803277, 803202, 803270



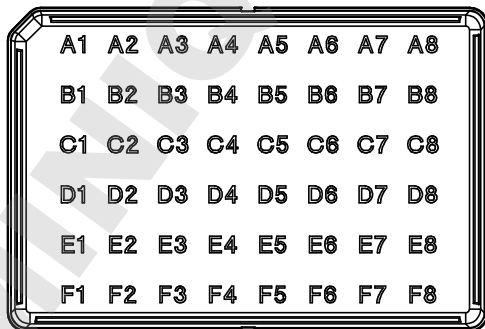
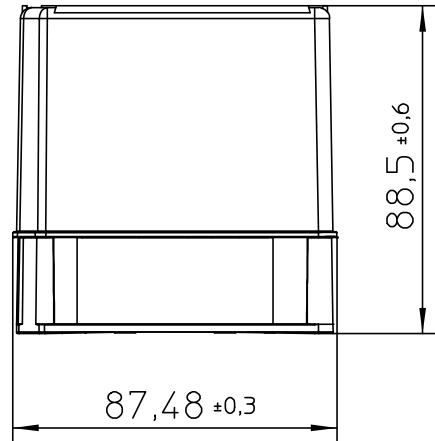
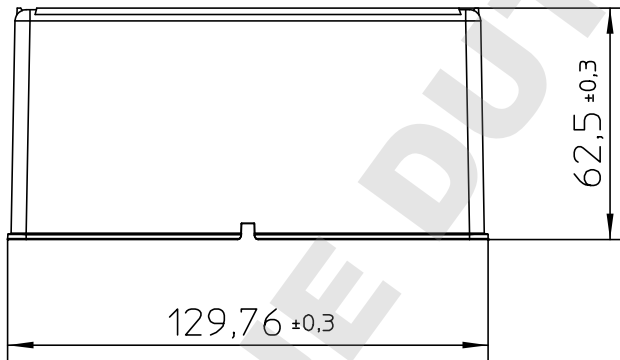
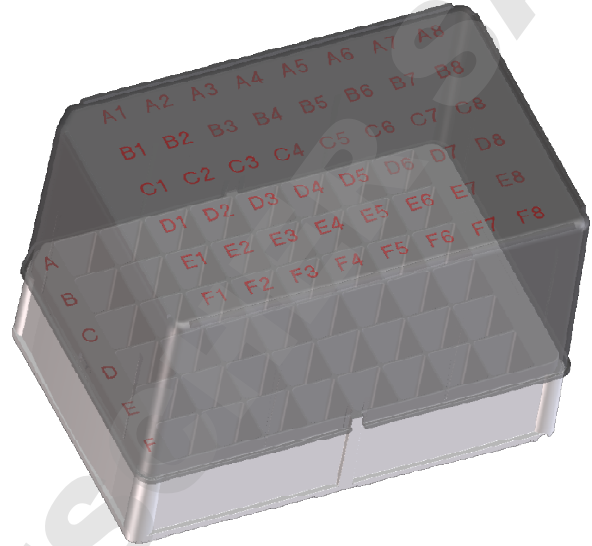
"All dimensions in mm"

Customer drawing subject to change without notice!

Uncontrolled Copy

Prior Issue	Drawn	Approved	Released	CONFIDENTIAL: Information contained in this document or drawing is confidential and proprietary to Greiner Bio-One GmbH. This document may not be reproduced for any reason without written permission from Greiner Bio-One GmbH. All rights of design, invention, and copyright are reserved.
Revision 1	Date 2011/09/07	Date 2014/10/13	Date 2014/10/13	
Date 2011/09/08	Name falter	Name falter	Name sonntag	

Valid for Item-No.: 803277, 803202, 803270



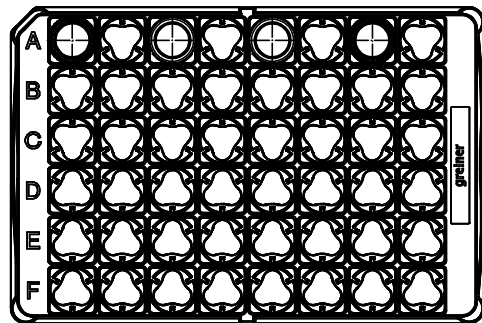
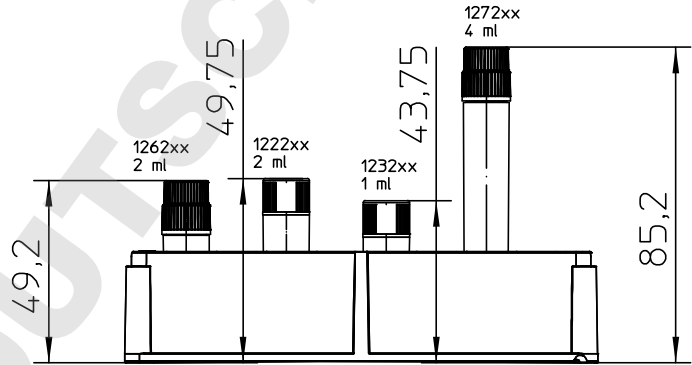
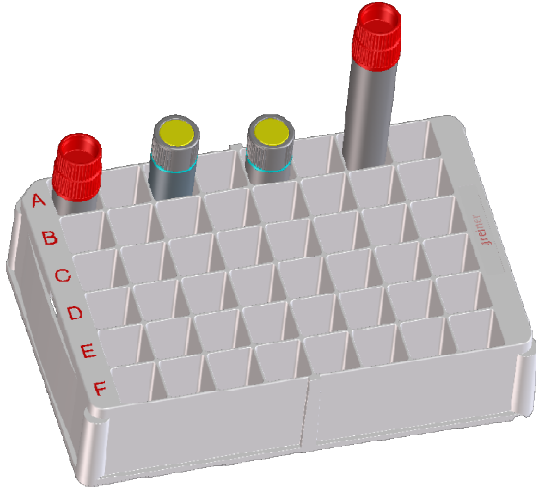
"All dimensions in mm"

Customer drawing subject to change without notice!

Uncontrolled Copy

Prior Issue	Drawn	Approved	Released	CONFIDENTIAL: Information contained in this document or drawing is confidential and proprietary to Greiner Bio-One GmbH. This document may not be reproduced for any reason without written permission from Greiner Bio-One GmbH. All rights of design, invention, and copyright are reserved.
Revision 1	Date 2011/09/07	Date 2014/10/13	Date 2014/10/13	
Date 2011/09/08	Name falter	Name falter	Name sonntag	

Valid for Item-No.: 803277, 803202, 803270



"All dimensions in mm"

Customer drawing subject to change without notice!

Uncontrolled Copy

Prior Issue	Drawn	Approved	Released	CONFIDENTIAL: Information contained in this document or drawing is confidential and proprietary to Greiner Bio-One GmbH. This document may not be reproduced for any reason without written permission from Greiner Bio-One GmbH. All rights of design, invention, and copyright are reserved.
Revision 1	Date 2011/09/07	Date 2014/10/13	Date 2014/10/13	
Date 2011/09/08	Name falter	Name falter	Name sonntag	