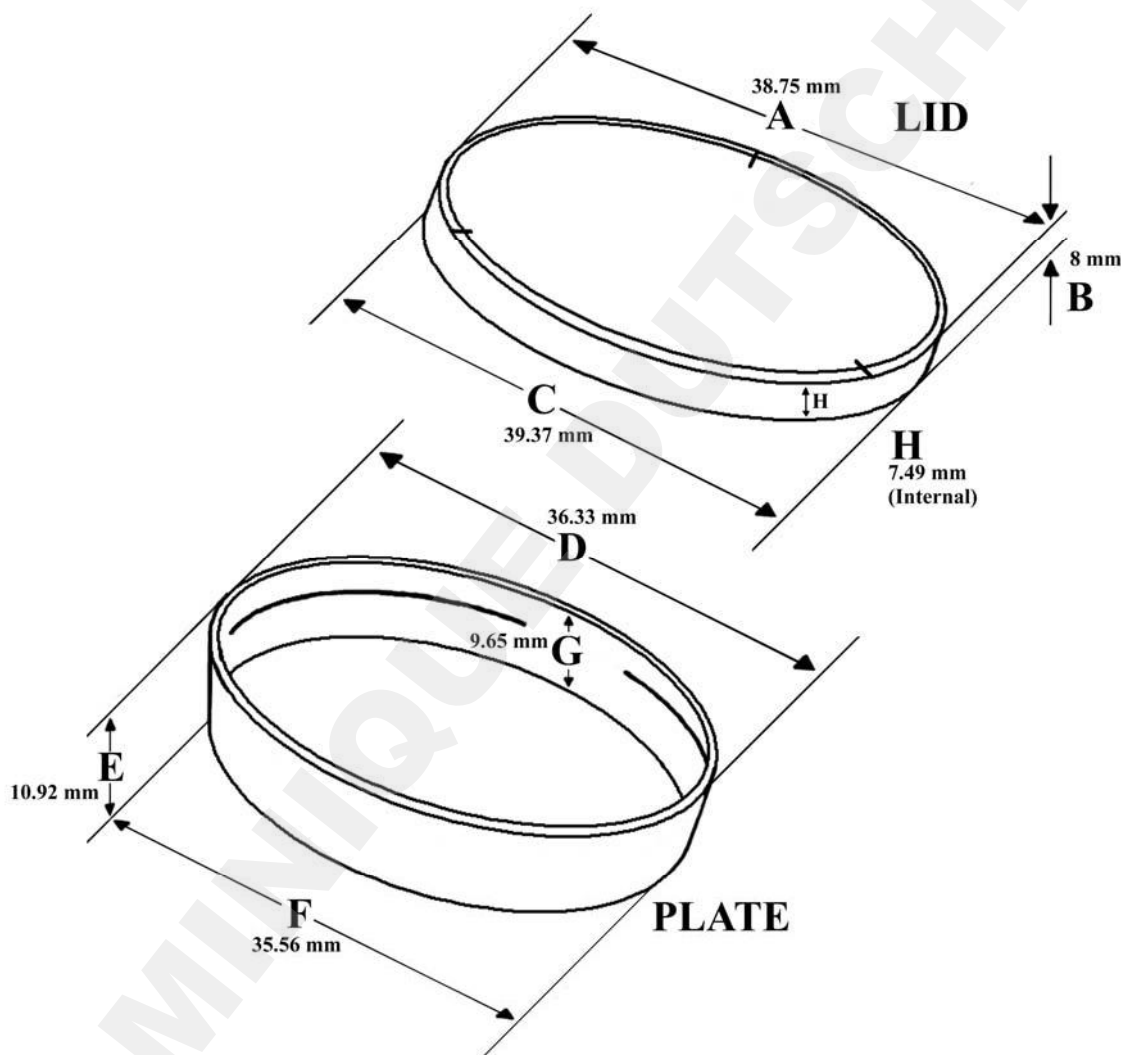


# MatTek Corporation

## Glass Bottom Petri Dish Dimensions

**Part numbers:** All part #s beginning with P35G-  
(note: glass bottom not shown)



Note: ID (growth surface): 33.9 mm. Nunc dimensions: OD (bottom): 35.0 mm, ID (bottom 33.5 mm)

P:\documents\6-Microwells Literature\35 mm dish dimensions.doc

200 Homer Avenue  
Ashland MA 01721

Web Site: [www.mattek.com](http://www.mattek.com) Email: [information@mattek.com](mailto:information@mattek.com)

(508) 881-6771  
Fax (508) 879-1532