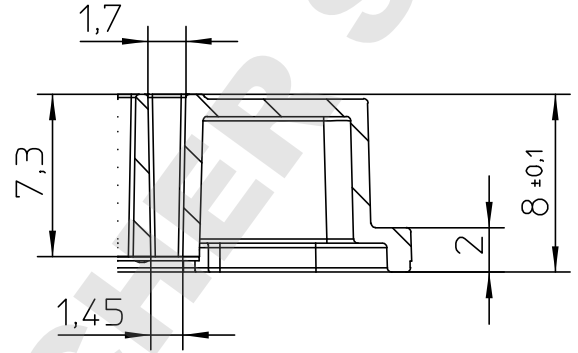
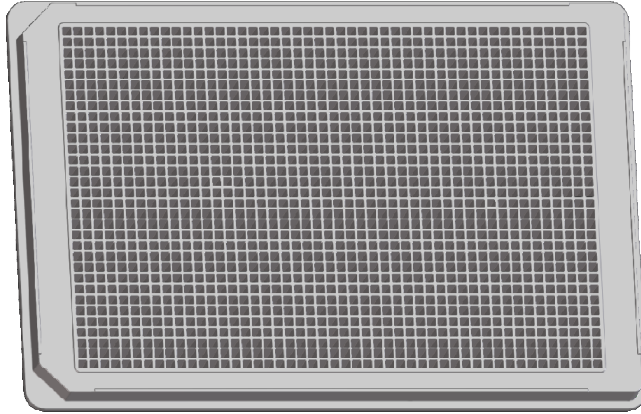
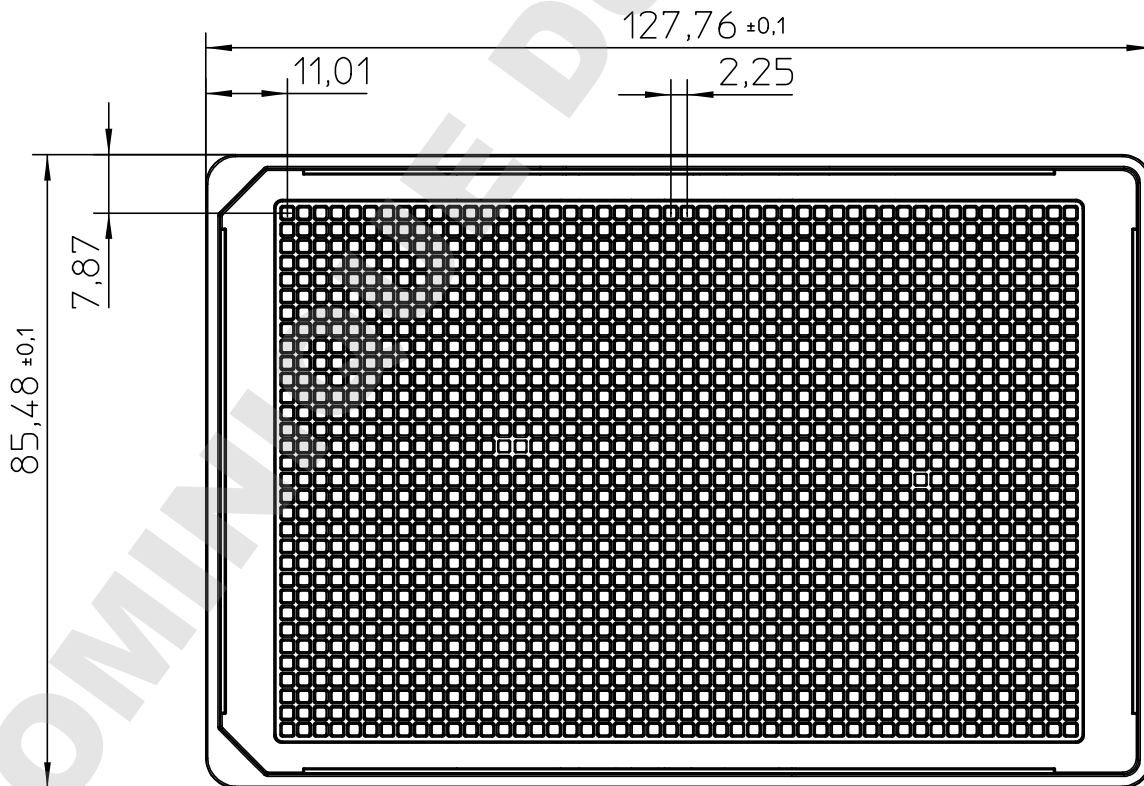


Valid for Item-No.: 789866, 789899



Curvature max.0,15



"All dimensions in mm"

Customer drawing subject to change without notice!

Uncontrolled Copy

Prior Issue	Drawn	Approved	Released	CONFIDENTIAL: Information contained in this document or drawing is confidential and proprietary to Greiner Bio-One GmbH. This document may not be reproduced for any reason without written permission from Greiner Bio-One GmbH. All rights of design, invention, and copyright are reserved.
Revision	Date	Date	Date	
2	2011/04/15	2015/03/09	2015/03/09	
Date	Name	Name	Name	
2011/12/09	forb	schwarzj	sonntag	