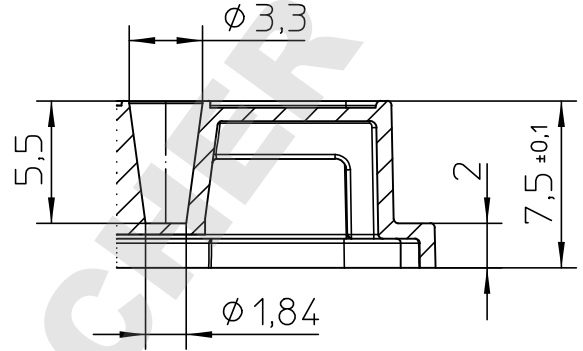
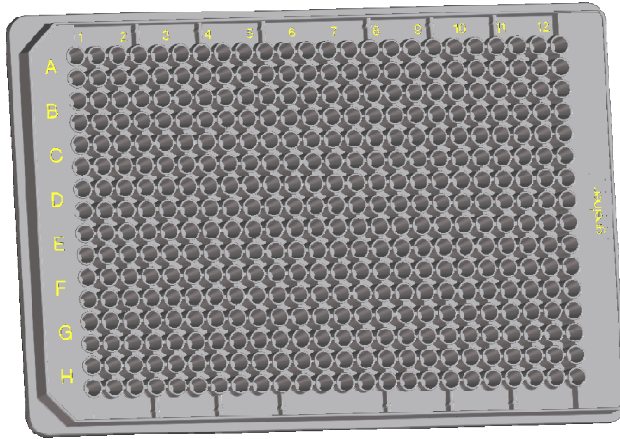


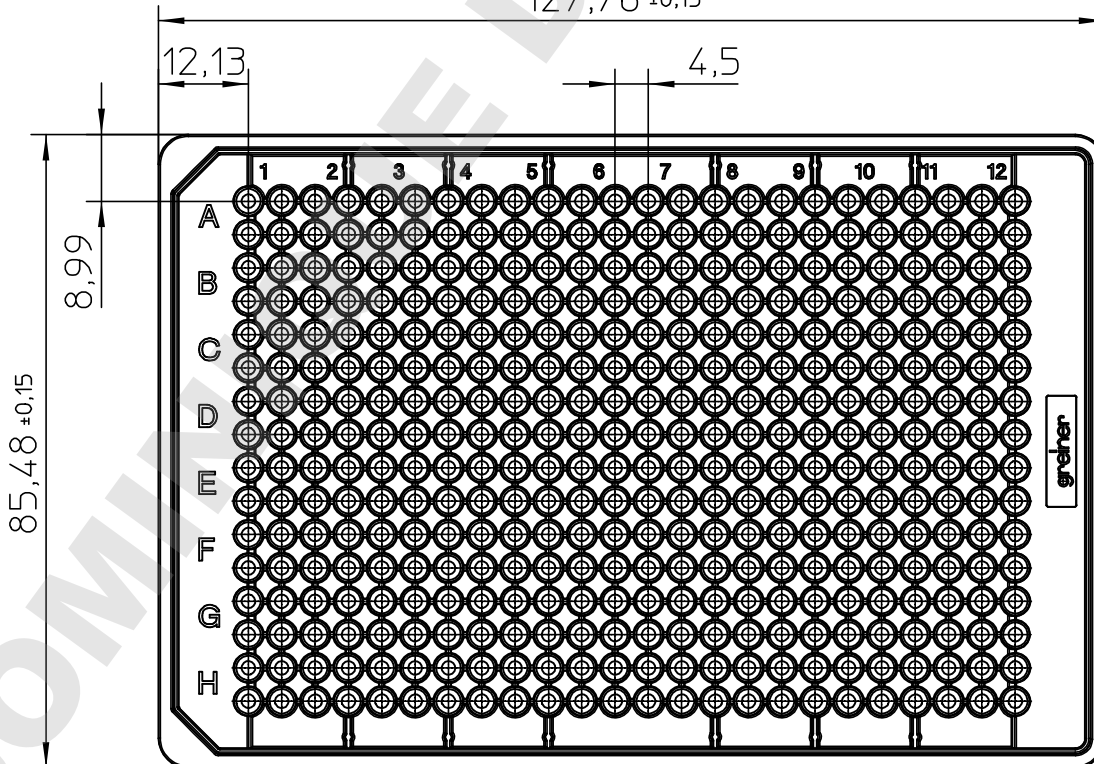
Valid for Item-No.: 788101, 788161



Curvature max.0,15



127,76 ± 0,15



"All dimensions in mm"

Customer drawing subject to change without notice!

Uncontrolled Copy

| Prior Issue | Drawn | Approved | Released | CONFIDENTIAL: Information contained in this document or drawing is confidential and proprietary to Greiner Bio-One GmbH. This document may not be reproduced for any reason without written permission from Greiner Bio-One GmbH. All rights of design, invention, and copyright are reserved. |
|--------------------|--------------------|--------------------|--------------------|--|
| Revision 2 | Date 2011/03/23 | Date 2015/02/19 | Date 2015/02/19 | |
| Date 2014/04/29 | Name forb | Name schwarzj | Name sonntag | |