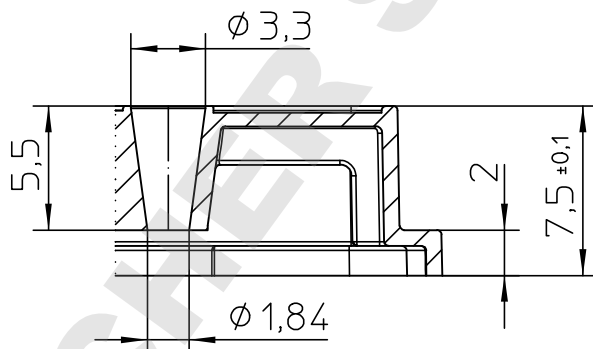
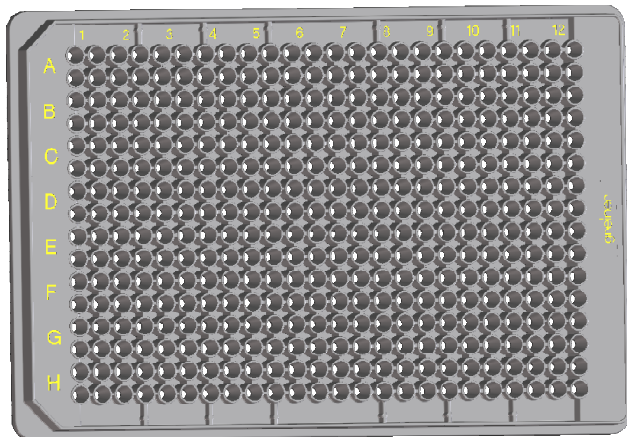
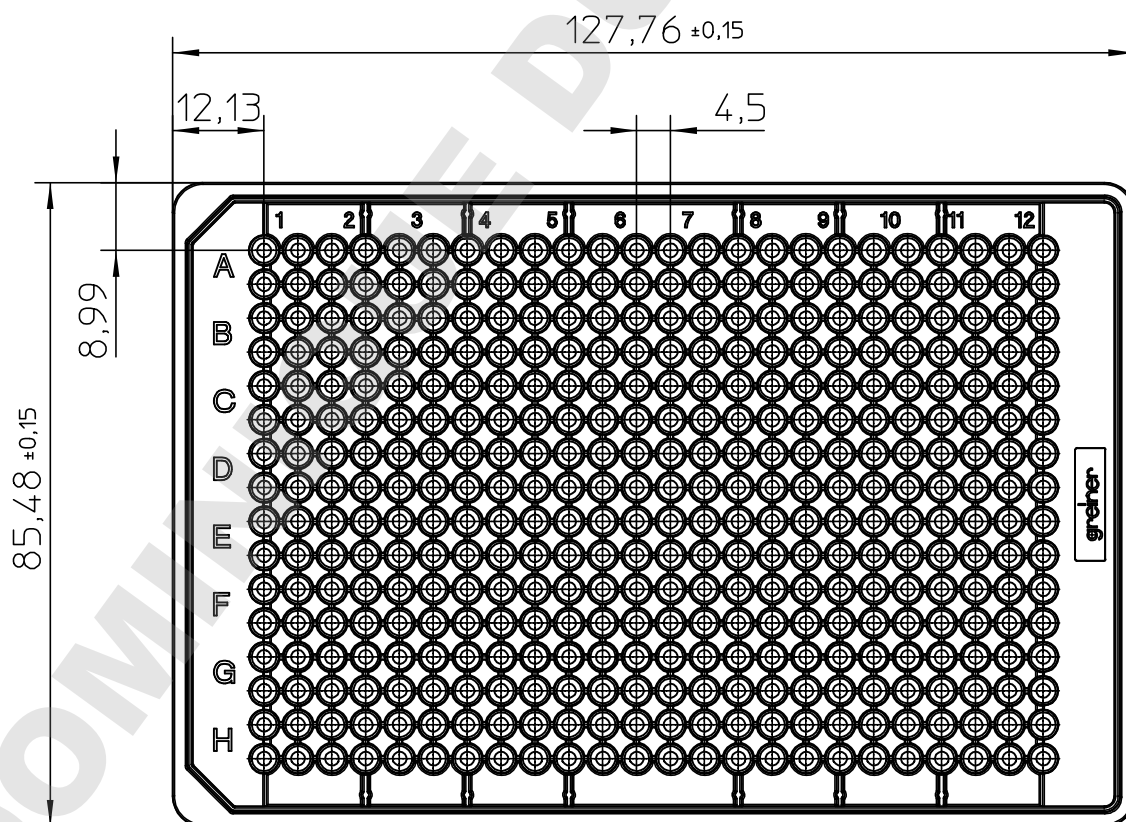


Valid for Item-No.: 788073, 788075, 788076, 788086, 788092, 788093, 788095, 788096



Curvature max.0,15



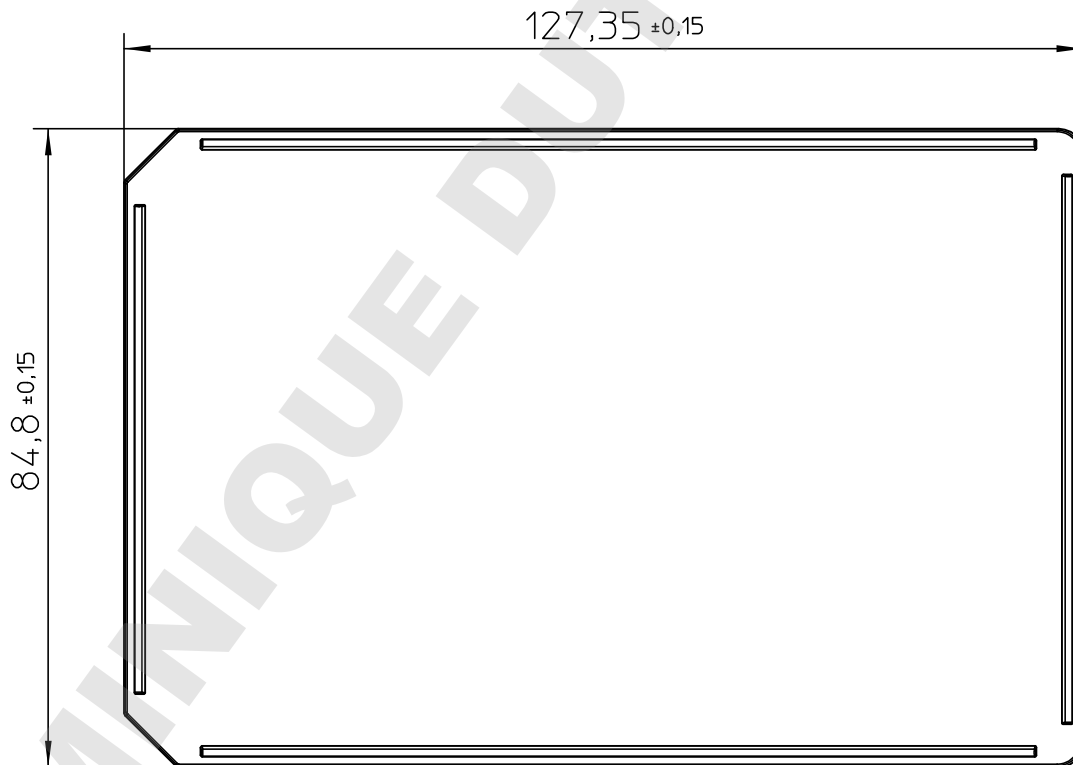
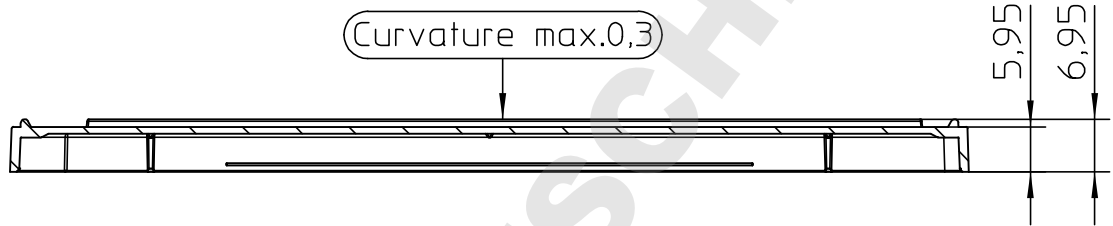
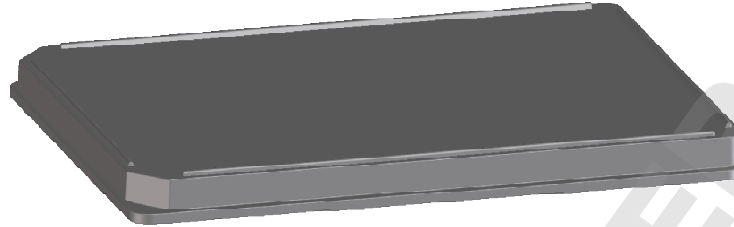
"All dimensions in mm"

Customer drawing subject to change without notice!

Uncontrolled Copy

Prior Issue	Drawn	Approved	Released	CONFIDENTIAL: Information contained in this document or drawing is confidential and proprietary to Greiner Bio-One GmbH. This document may not be reproduced for any reason without written permission from Greiner Bio-One GmbH. All rights of design, invention, and copyright are reserved.
Revision 3	Date 2011/03/22	Date 2015/02/19	Date 2015/02/19	
Date 2014/04/29	Name forb	Name schwarzj	Name sonntag	

Valid for Item-No.: 788073, 788075, 788076, 788086, 788092, 788093, 788095, 788096



Only Part-No. 788086 with lid

"All dimensions in mm"

Customer drawing subject to change without notice!

Uncontrolled Copy

Prior Issue	Drawn	Approved	Released	CONFIDENTIAL: Information contained in this document or drawing is confidential and proprietary to Greiner Bio-One GmbH. This document may not be reproduced for any reason without written permission from Greiner Bio-One GmbH. All rights of design, invention, and copyright are reserved.
Revision 3	Date 2011/03/22	Date 2015/02/19	Date 2015/02/19	
Date 2014/04/29	Name forb	Name schwarzj	Name sonntag	