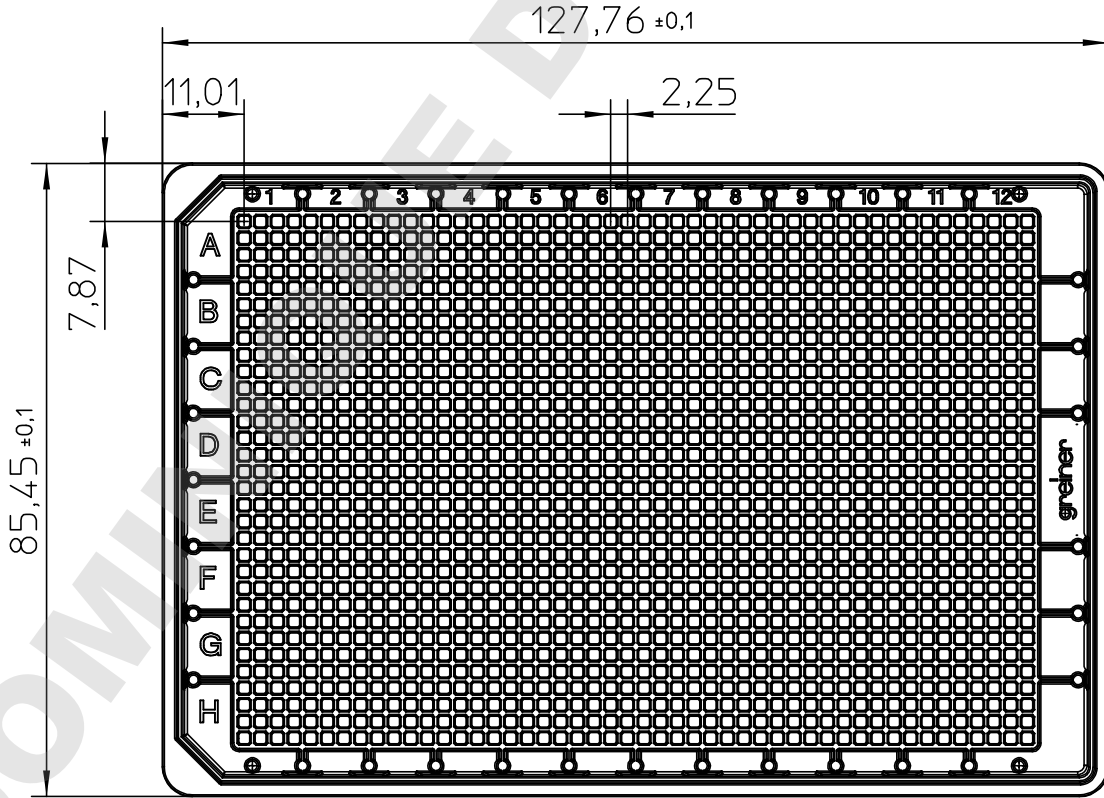


Curvature max.0,1



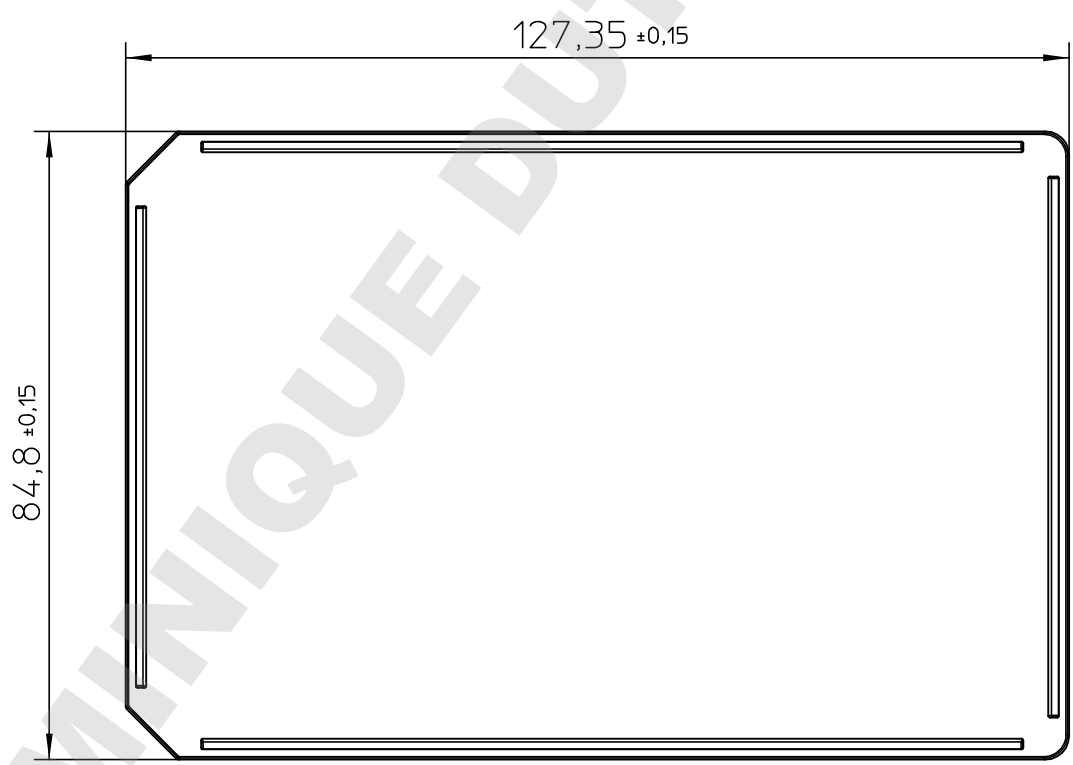
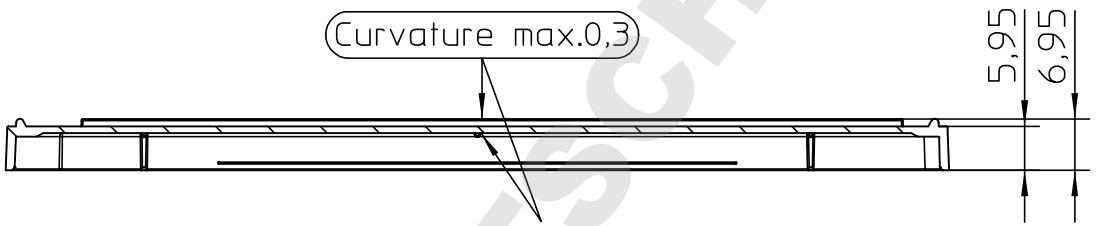
"All dimensions in mm"
Customer drawing subject to change without notice!

Uncontrolled Copy

Prior Issue	Drawn	Approved	Released	<small>CONFIDENTIAL: Information contained in this document or drawing is confidential and proprietary to Greiner Bio-One GmbH. This document may not be reproduced for any reason without written permission from Greiner Bio-One GmbH. All rights of design, invention, and copyright are reserved.</small>
Revision 2	Date 2011/09/01	Date 2015/03/10	Date 2015/03/10	
Date 2014/04/29	Name forb	Name schwarzj	Name sonntag	



Curvature max.0,3



Only Item-No. 783892 with lid

"All dimensions in mm"

Customer drawing subject to change without notice!

Uncontrolled Copy

Prior Issue	Drawn	Approved	Released	CONFIDENTIAL: Information contained in this document or drawing is confidential and proprietary to Greiner Bio-One GmbH. This document may not be reproduced for any reason without written permission from Greiner Bio-One GmbH. All rights of design, invention, and copyright are reserved.
Revision 2	Date 2011/09/01	Date 2015/03/10	Date 2015/03/10	
Date 2014/04/29	Name forb	Name schwarzj	Name sonntag	