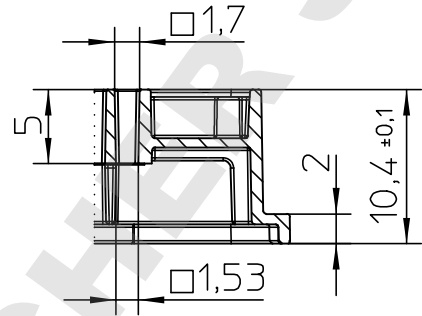
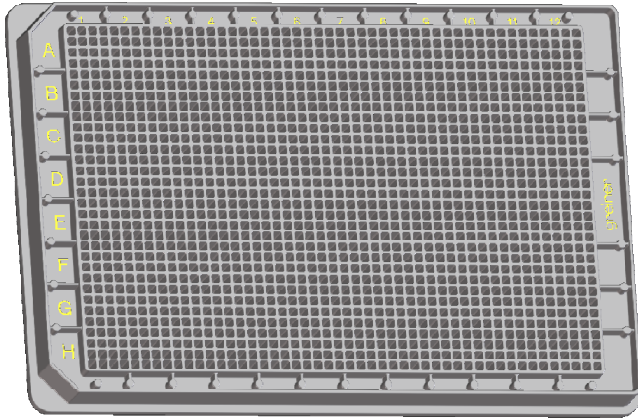
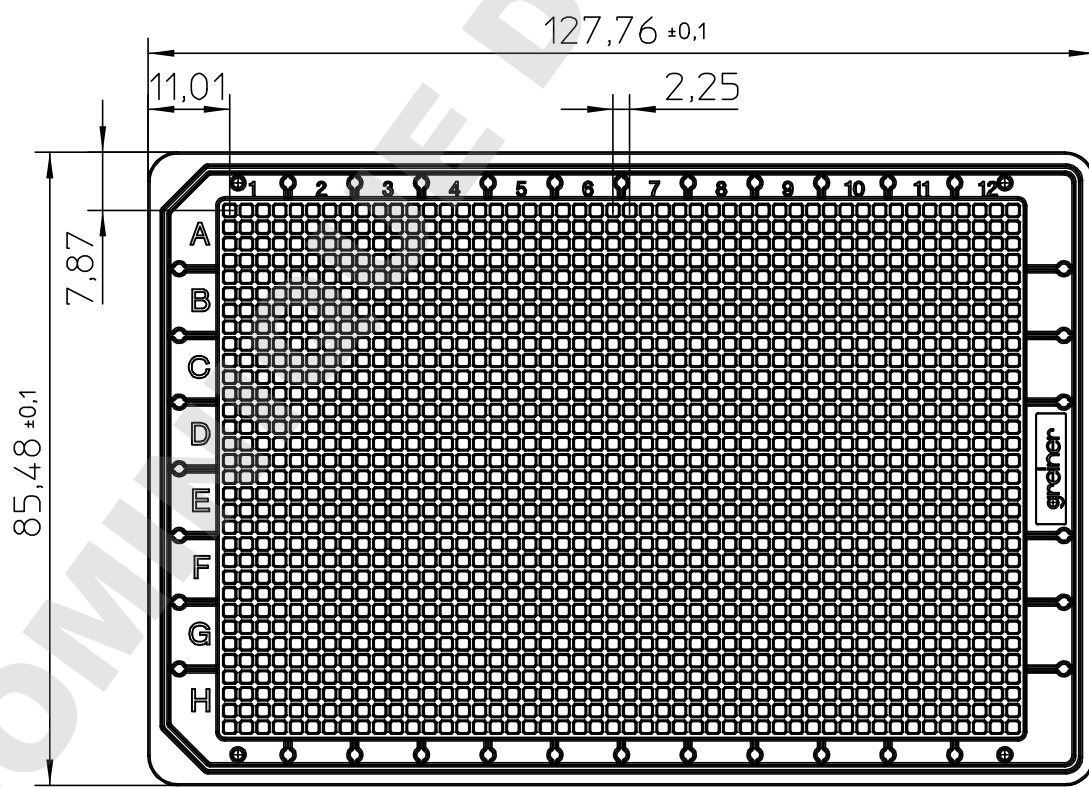


Valid for Item-No.: 782092, 782093, 782094, 782095, 782096, 782097



Curvature +0,05  
-0,05



"All dimensions in mm"  
Customer drawing subject to change without notice!

Uncontrolled Copy

Prior Issue	Drawn	Approved	Released	CONFIDENTIAL: Information contained in this document or drawing is confidential and proprietary to Greiner Bio-One GmbH. This document may not be reproduced for any reason without written permission from Greiner Bio-One GmbH. All rights of design, invention, and copyright are reserved.
Revision	Date 2011/03/23	Date 2015/03/09	Date 2015/03/09	
Date	Name forb	Name schwarzj	Name sonntag	