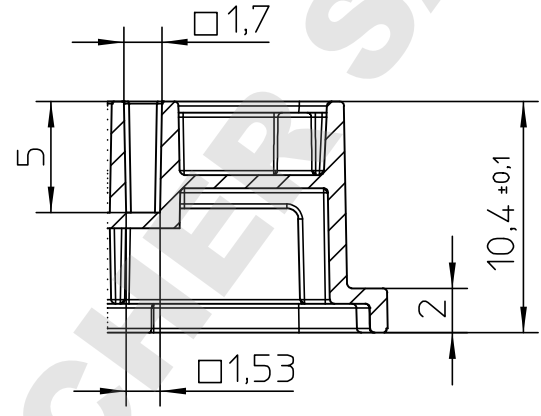
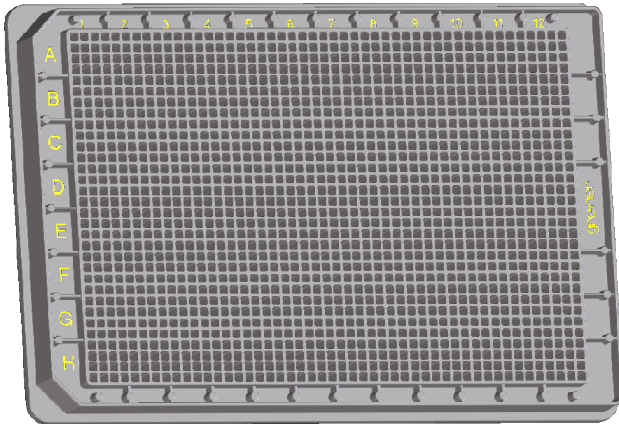
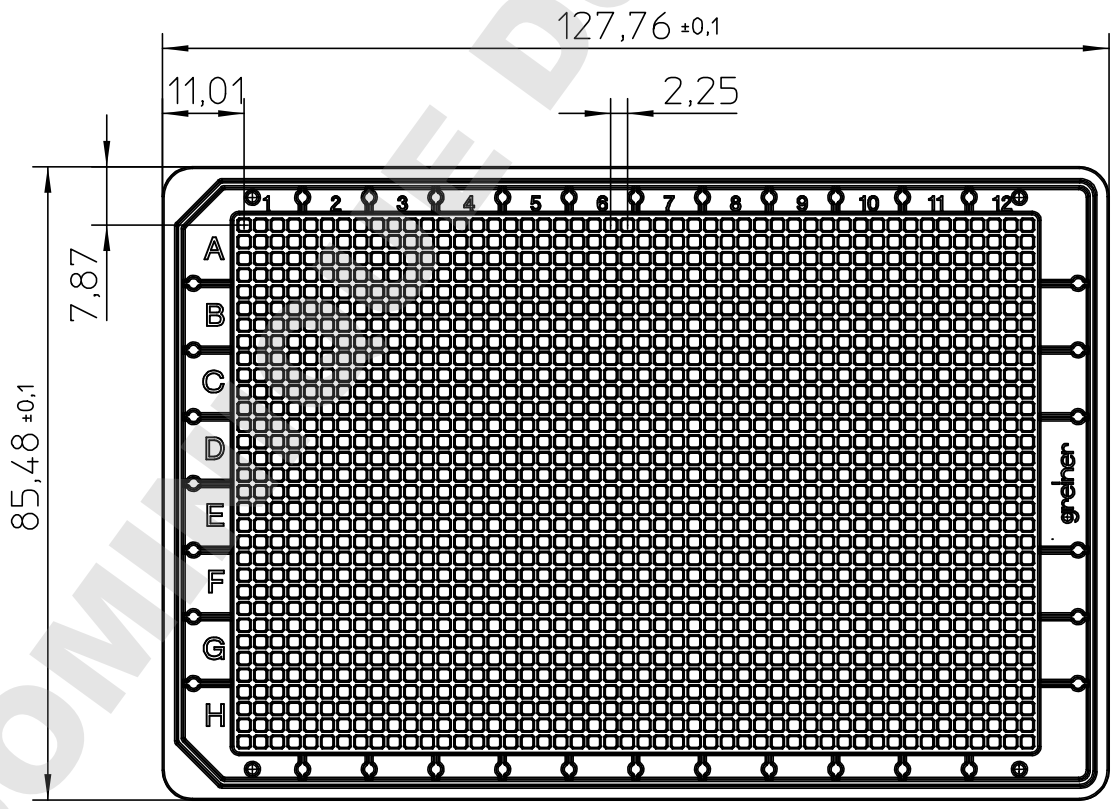


Valid for Item-No.: 782061, 782073, 782074, 782075, 782076, 782077, 782078, 782101



Curvature +0,1  
-0,1



"All dimensions in mm"

Customer drawing subject to change without notice!

Uncontrolled Copy

Prior Issue	Drawn	Approved	Released	CONFIDENTIAL: Information contained in this document or drawing is confidential and proprietary to Greiner Bio-One GmbH. This document may not be reproduced for any reason without written permission from Greiner Bio-One GmbH. All rights of design, invention, and copyright are reserved.
Revision 2	Date 2011/08/31	Date 2015/03/06	Date 2015/03/06	
Date 2014/05/09	Name forb	Name schwarzj	Name sonntag	