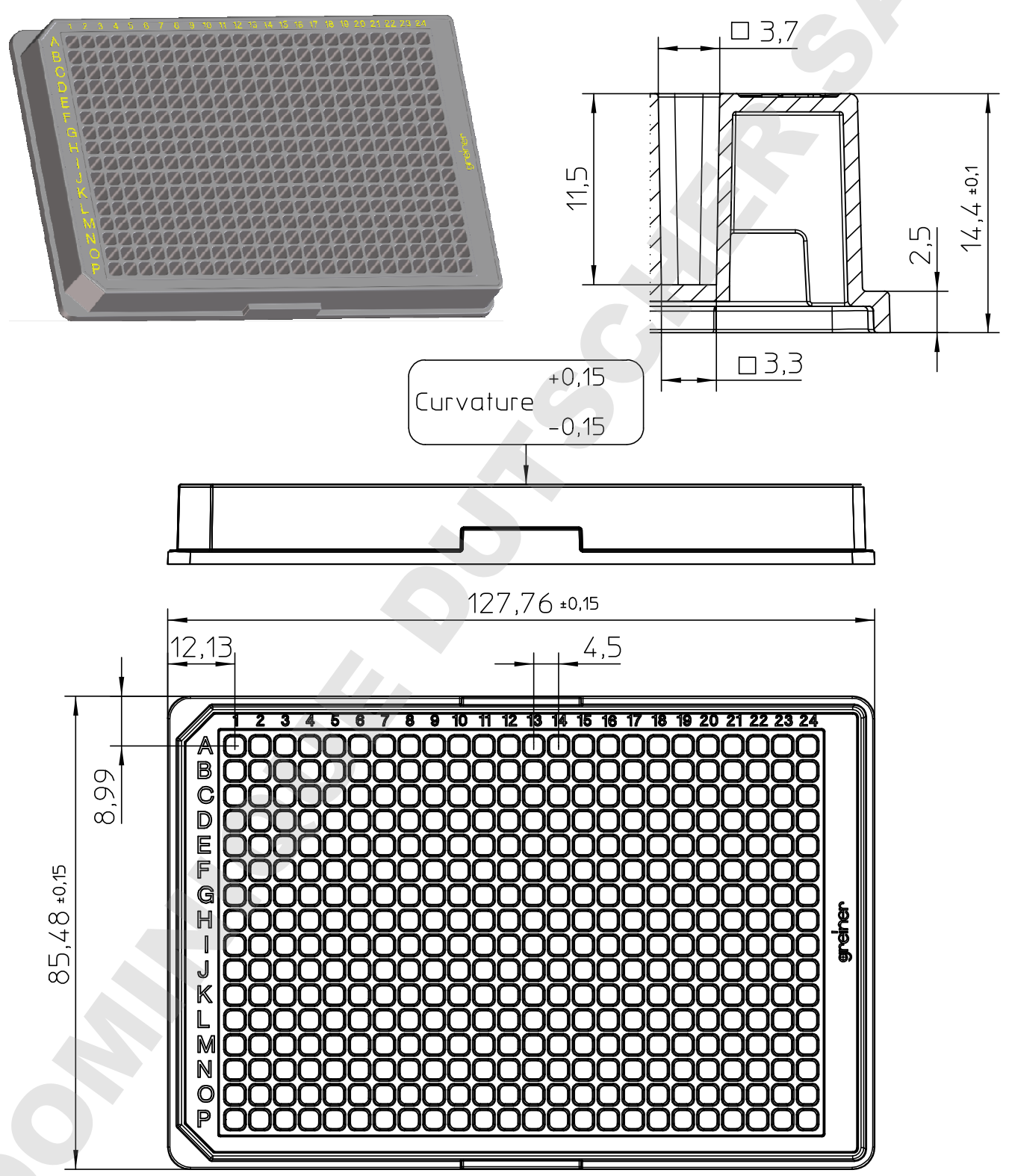


Valid for Item-No.: 781930, 781940, 781945, 781950



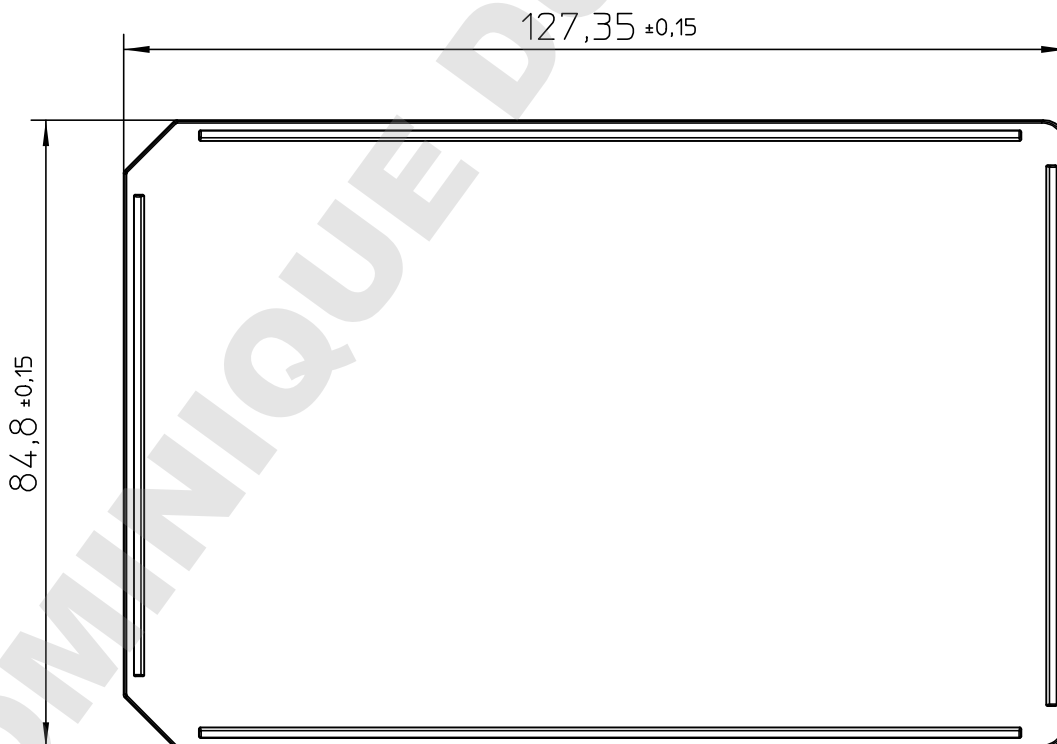
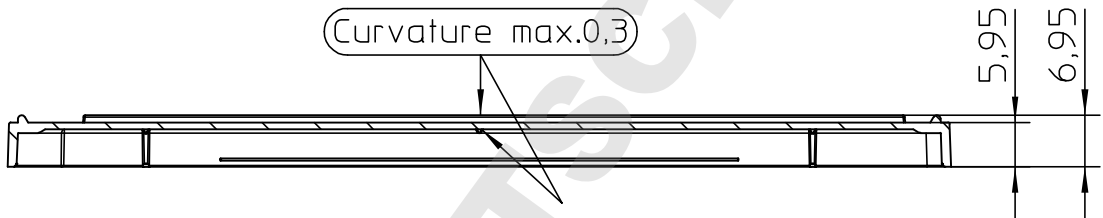
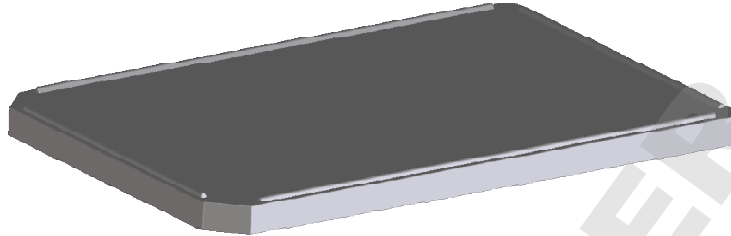
"All dimensions in mm"

Customer drawing subject to change without notice!

Uncontrolled Copy

<b>Prior Issue</b>	<b>Drawn</b>	<b>Approved</b>	<b>Released</b>	CONFIDENTIAL: Information contained in this document or drawing is confidential and proprietary to Greiner Bio-One GmbH. This document may not be reproduced for any reason without written permission from Greiner Bio-One GmbH. All rights of design, invention, and copyright are reserved.
Revision 2	Date 2011/08/31	Date 2015/01/23	Date 2015/01/23	
Date 2014/04/29	Name forb	Name schwarzj	Name sonntag	

Valid for Item-No.: 781930, 781940, 781945, 781950



"All dimensions in mm"

Customer drawing subject to change without notice!

Uncontrolled Copy

<b>Prior Issue</b>	<b>Drawn</b>	<b>Approved</b>	<b>Released</b>	CONFIDENTIAL: Information contained in this document or drawing is confidential and proprietary to Greiner Bio-One GmbH. This document may not be reproduced for any reason without written permission from Greiner Bio-One GmbH. All rights of design, invention, and copyright are reserved.
Revision 2	Date 2011/08/31	Date 2015/01/23	Date 2015/01/23	
Date 2014/04/29	Name forb	Name schwarzj	Name sonntag	