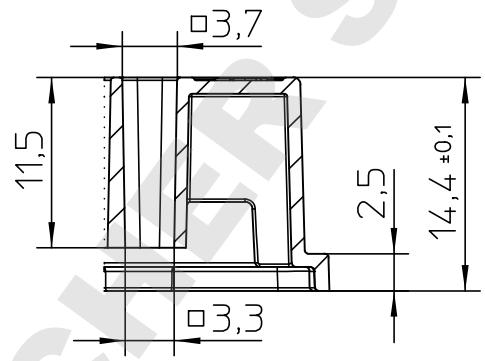
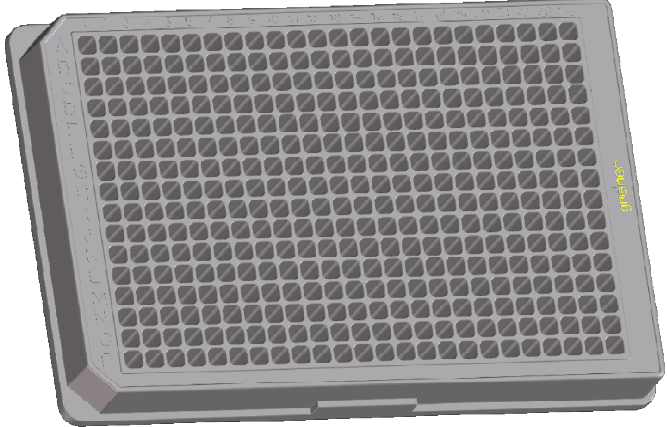
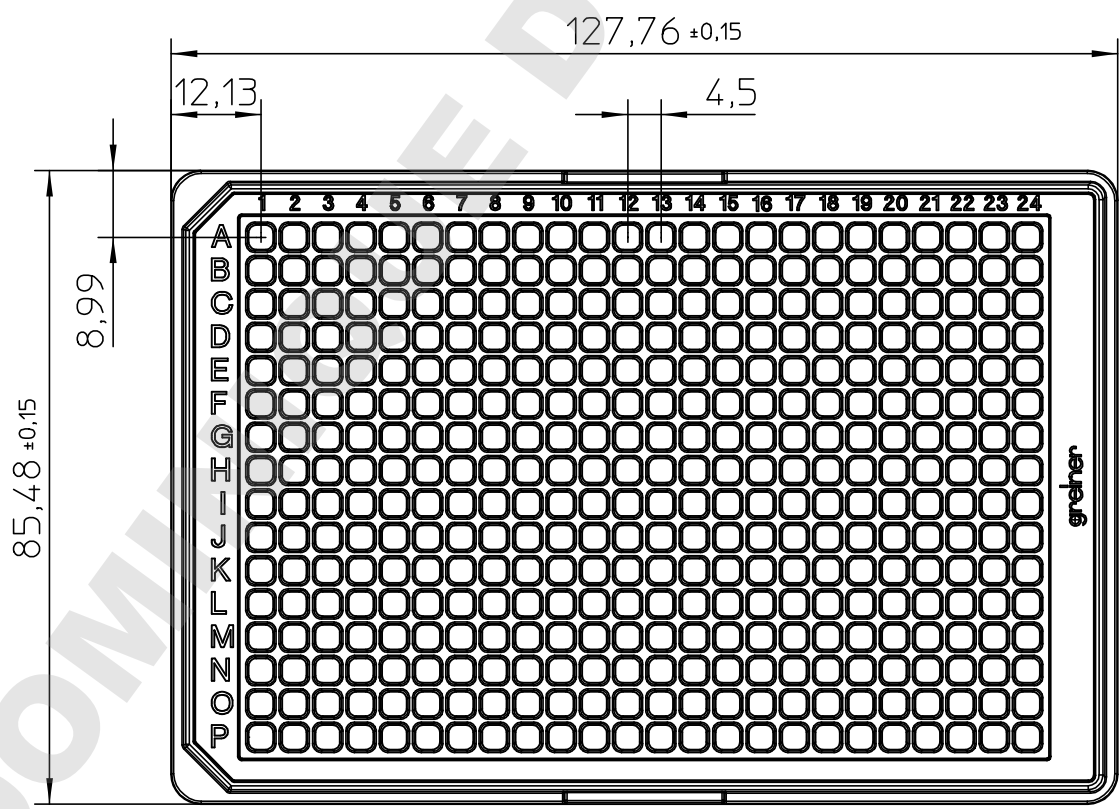
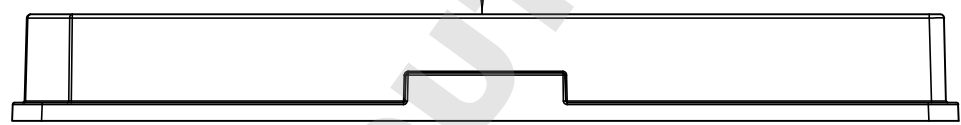


Valid for Item-No.: 781936, 781944, 781946, 781948, 781956



Curvature $+0,15$
 $-0,15$

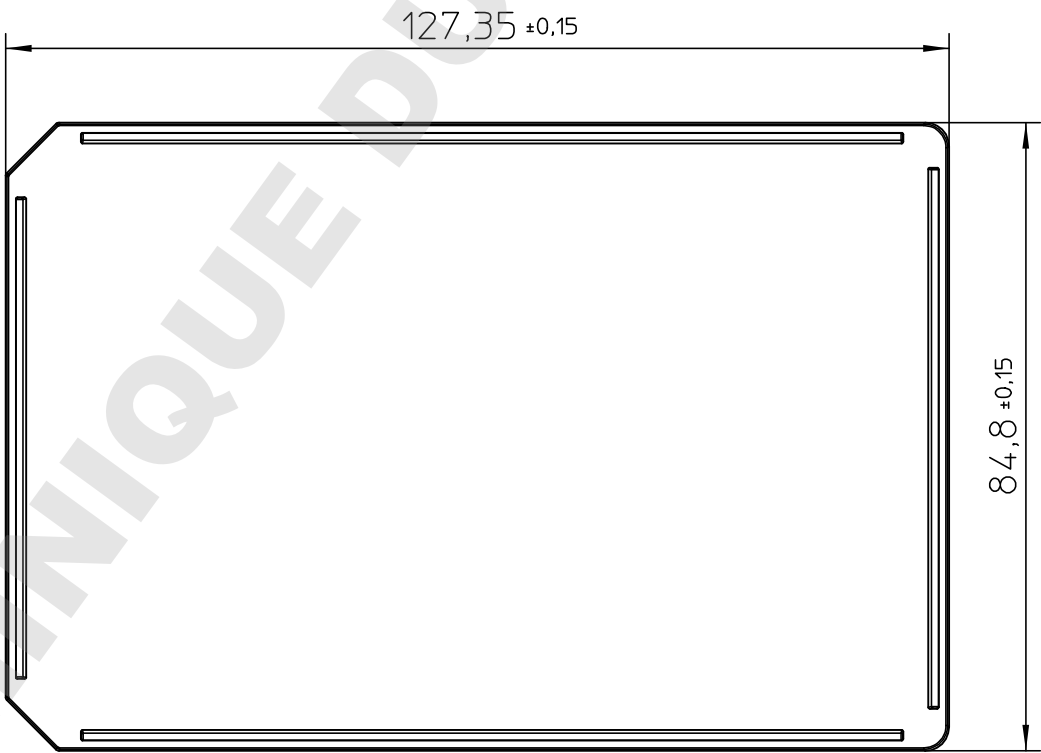
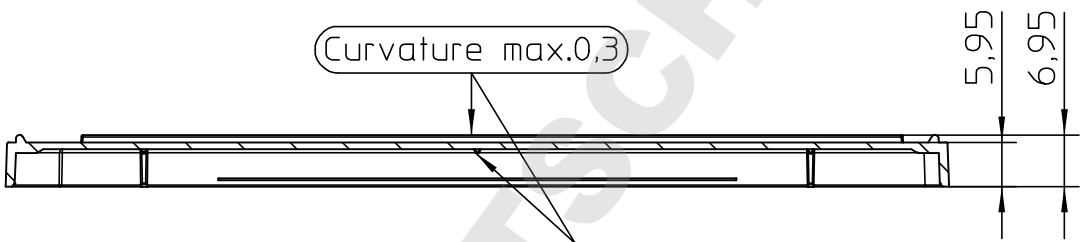
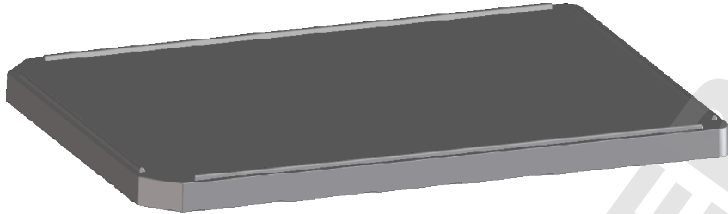


"All dimensions in mm"

Customer drawing subject to change without notice!

Uncontrolled Copy

Prior Issue	Drawn	Approved	Released	CONFIDENTIAL: Information contained in this document or drawing is confidential and proprietary to Greiner Bio-One GmbH. This document may not be reproduced for any reason without written permission from Greiner Bio-One GmbH. All rights of design, invention, and copyright are reserved.
Revision 2	Date 2011/08/31	Date 2015/03/06	Date 2015/03/06	
Date 2014/04/29	Name forb	Name schwarzj	Name sonntag	



"All dimensions in mm"

Customer drawing subject to change without notice!

Uncontrolled Copy

Prior Issue	Drawn	Approved	Released	CONFIDENTIAL: Information contained in this document or drawing is confidential and proprietary to Greiner Bio-One GmbH. This document may not be reproduced for any reason without written permission from Greiner Bio-One GmbH. All rights of design, invention, and copyright are reserved.
Revision 2	Date 2011/08/31	Date 2015/03/06	Date 2015/03/06	
Date 2014/04/29	Name forb	Name schwarzj	Name sonntag	