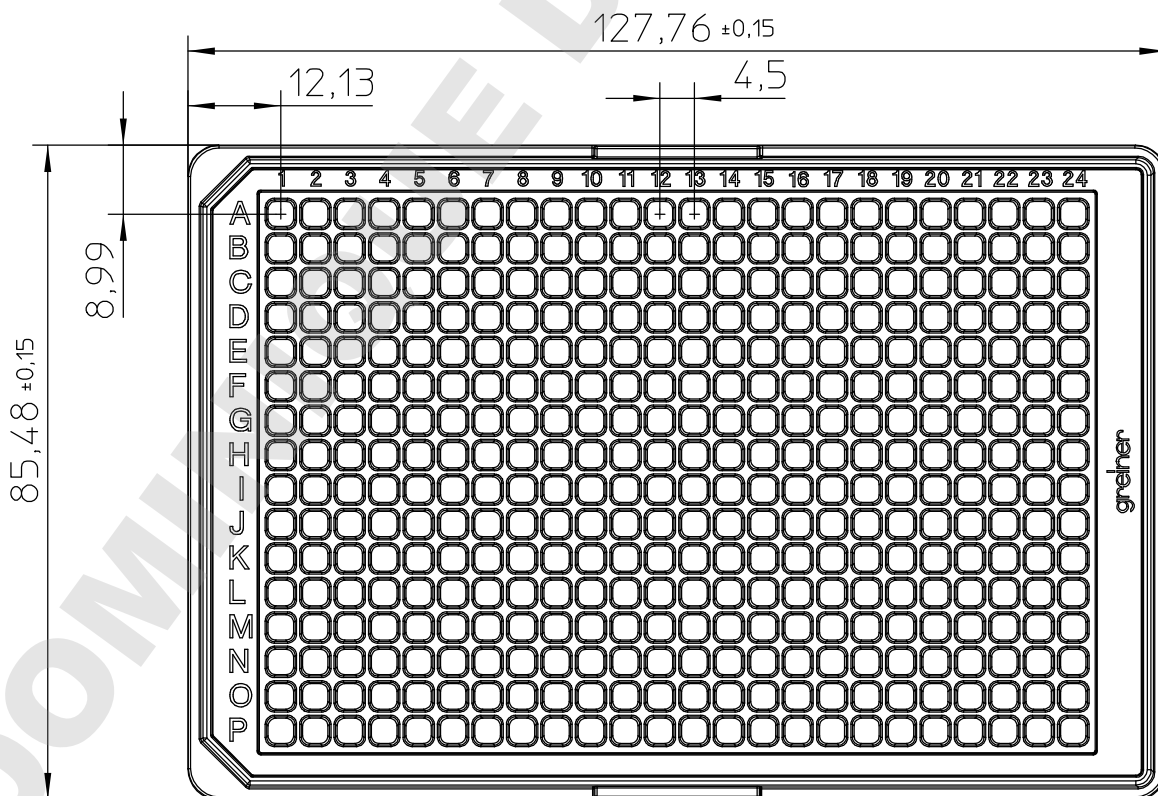
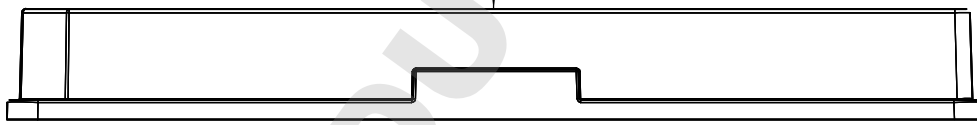


Curvature +0,15
-0,15



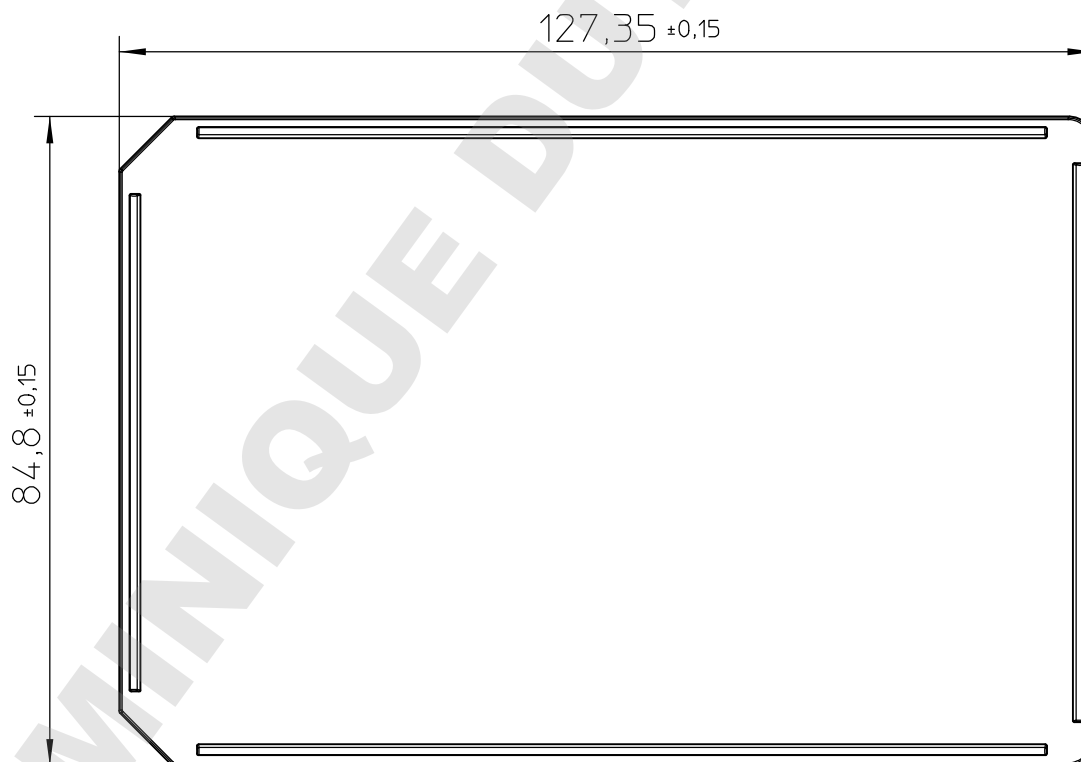
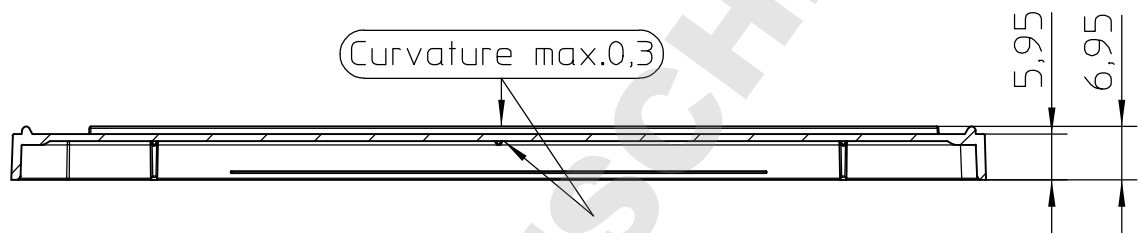
"All dimensions in mm"

Customer drawing subject to change without notice!

Uncontrolled Copy

Prior Issue	Drawn	Approved	Released	CONFIDENTIAL: Information contained in this document or drawing is confidential and proprietary to Greiner Bio-One GmbH. This document may not be reproduced for any reason without written permission from Greiner Bio-One GmbH. All rights of design, invention, and copyright are reserved.
Revision	Date	Date	Date	
2	2011/05/31	2015/01/23	2015/01/23	
Date	Name	Name	Name	
2014/04/29	forb	schwarzj	sonntag	

Valid for Item-No.: 781892, 781896



Only Item-No. 781892 with lid

"All dimensions in mm"

Customer drawing subject to change without notice!

Uncontrolled Copy

Prior Issue	Drawn	Approved	Released	CONFIDENTIAL: Information contained in this document or drawing is confidential and proprietary to Greiner Bio-One GmbH. This document may not be reproduced for any reason without written permission from Greiner Bio-One GmbH. All rights of design, invention, and copyright are reserved.
Revision	Date	Date	Date	
2	2011/05/31	2015/01/23	2015/01/23	
Date	Name	Name	Name	
2014/04/29	forb	schwarzj	sonntag	