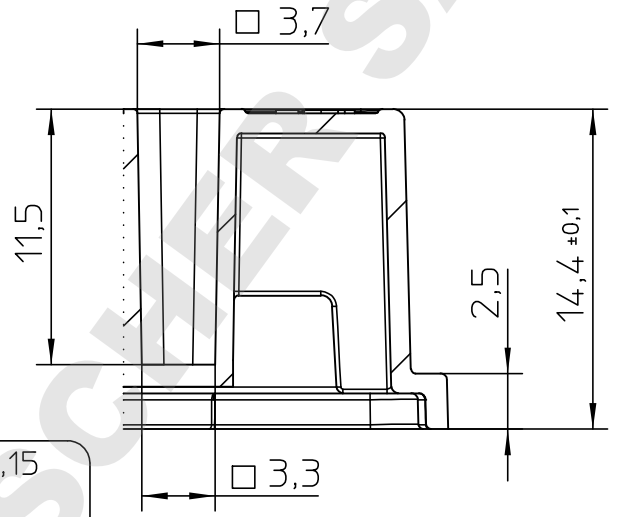
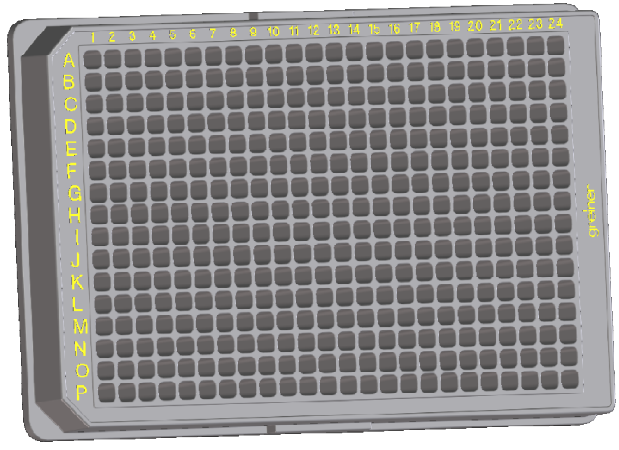
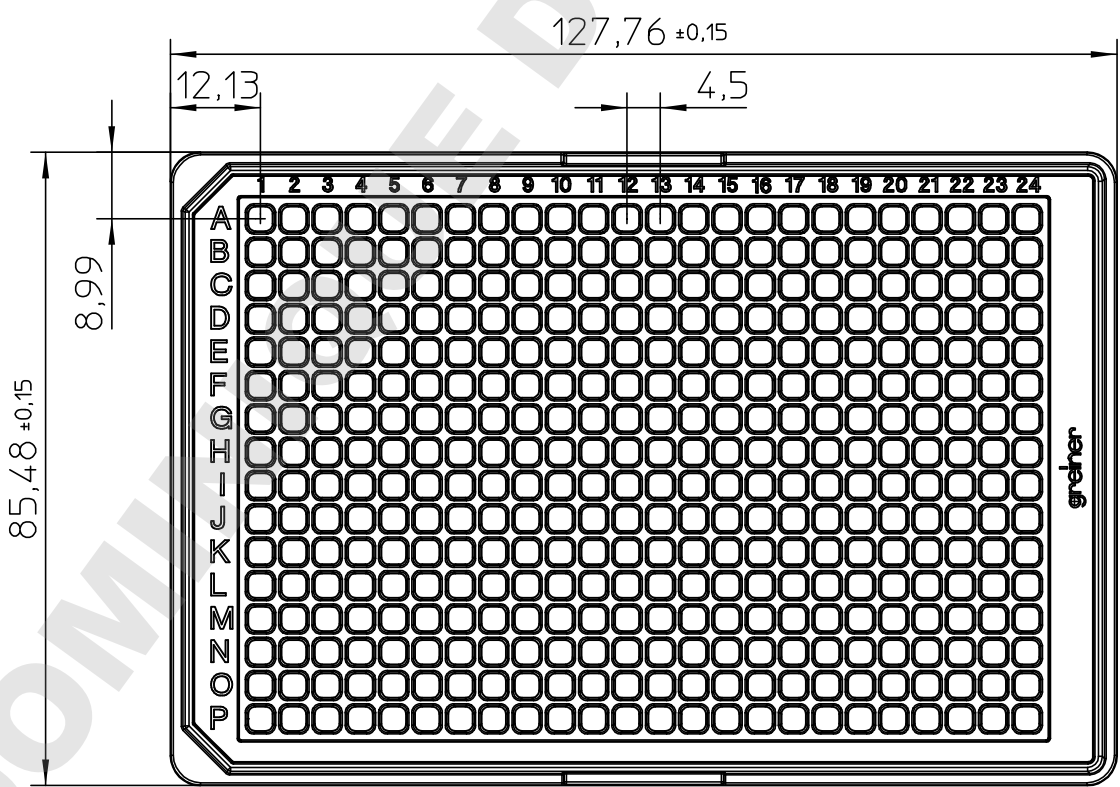
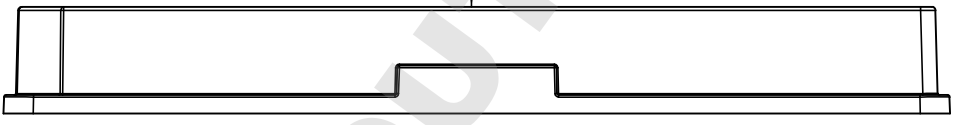


Valid for Item-No.: 781061, 781101, 781162, 781165, 781182, 781185, 781186



Curvature  $+0,15$   
 $-0,15$

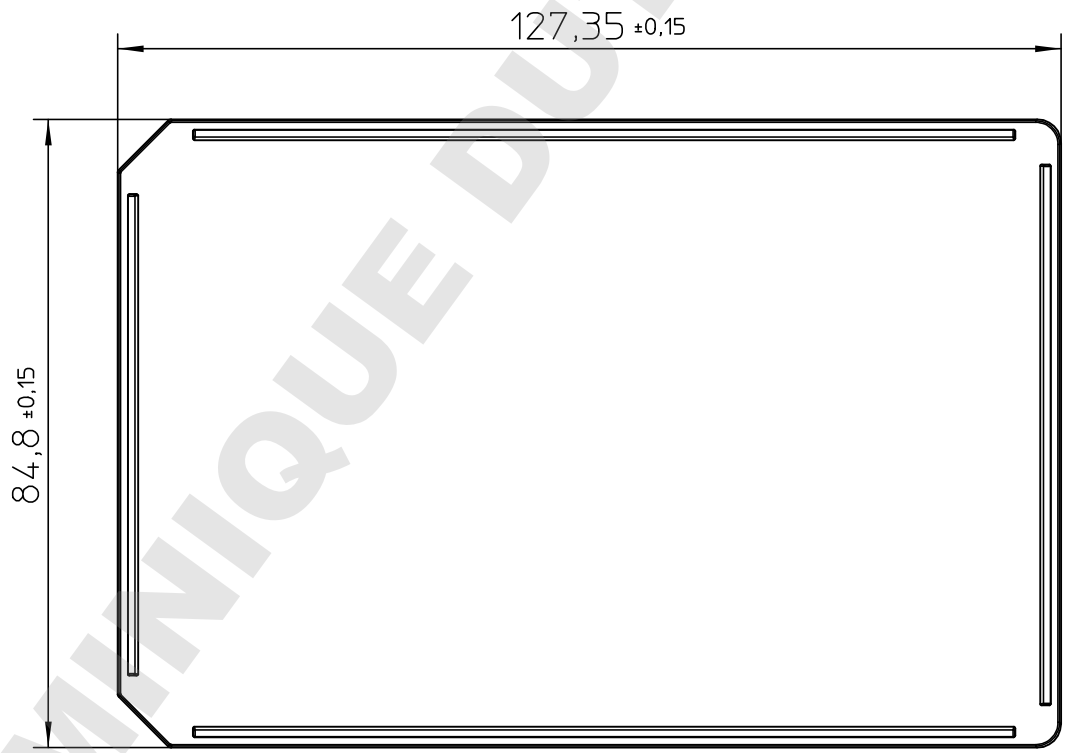
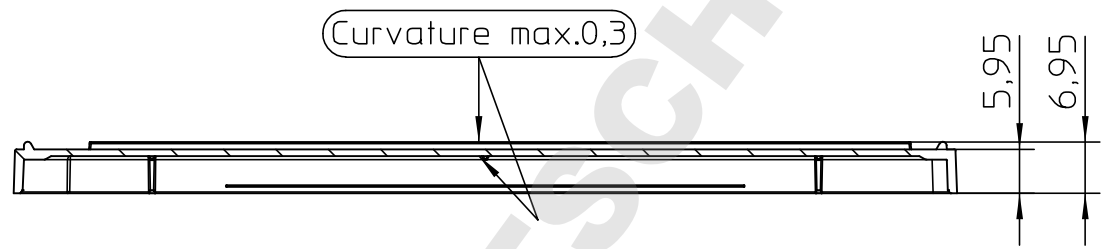
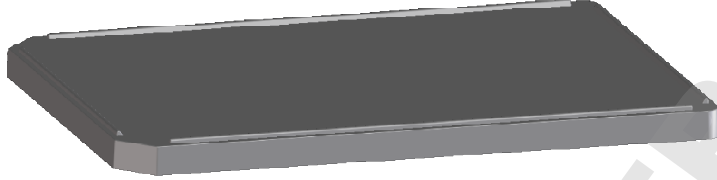


"All dimensions in mm"

Customer drawing subject to change without notice!

**Uncontrolled Copy**

Prior Issue	Drawn	Approved	Released	CONFIDENTIAL: Information contained in this document or drawing is confidential and proprietary to Greiner Bio-One GmbH. This document may not be reproduced for any reason without written permission from Greiner Bio-One GmbH. All rights of design, invention, and copyright are reserved.
Revision 1	Date 2014/04/29	Date 2015/01/23	Date 2015/01/23	
Date 2014/04/29	Name schwarzj	Name schwarzj	Name sonntag	



Only Item-No. 781182, 781185, 781186 with lid

"All dimensions in mm"  
Customer drawing subject to change without notice!

**Uncontrolled Copy**

<b>Prior Issue</b>	<b>Drawn</b>	<b>Approved</b>	<b>Released</b>	CONFIDENTIAL: Information contained in this document or drawing is confidential and proprietary to Greiner Bio-One GmbH. This document may not be reproduced for any reason without written permission from Greiner Bio-One GmbH. All rights of design, invention, and copyright are reserved.
Revision 1	Date 2014/04/29	Date 2015/01/23	Date 2015/01/23	
Date 2014/04/29	Name schwarzj	Name schwarzj	Name sonntag	