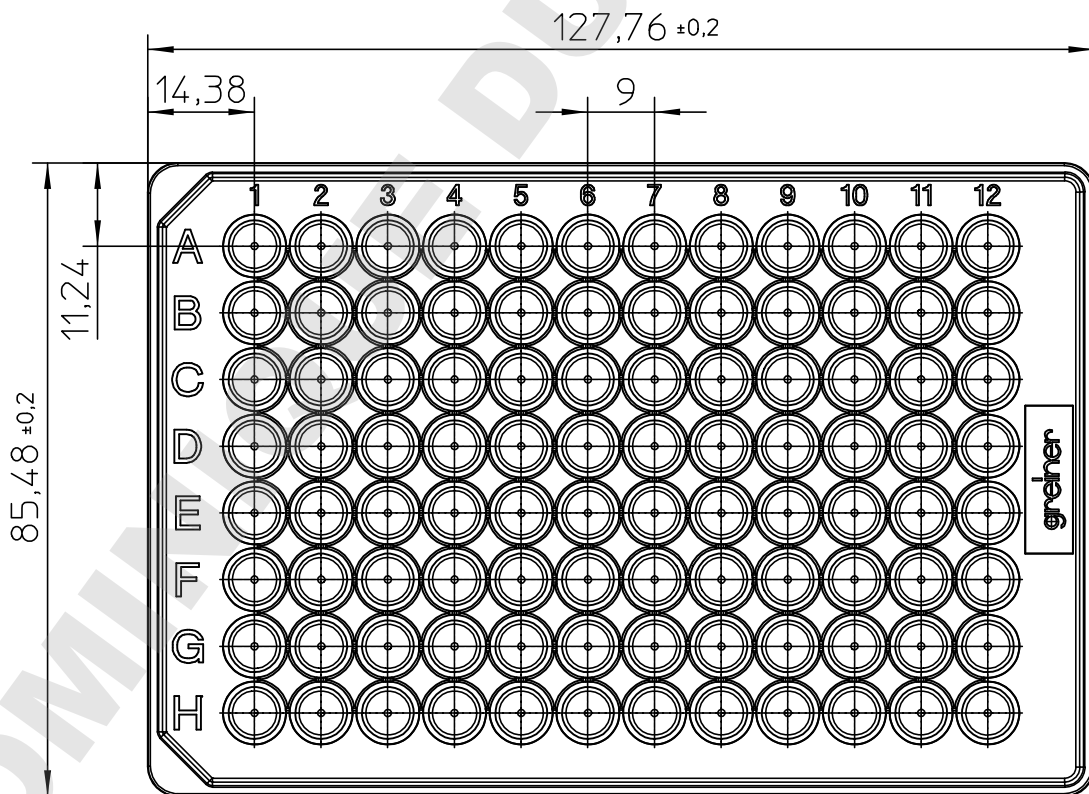
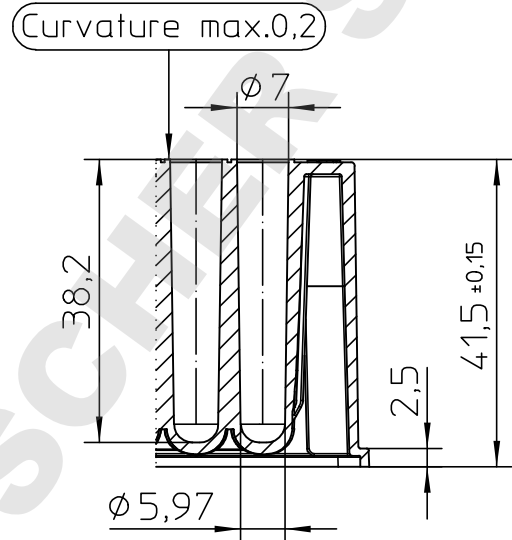
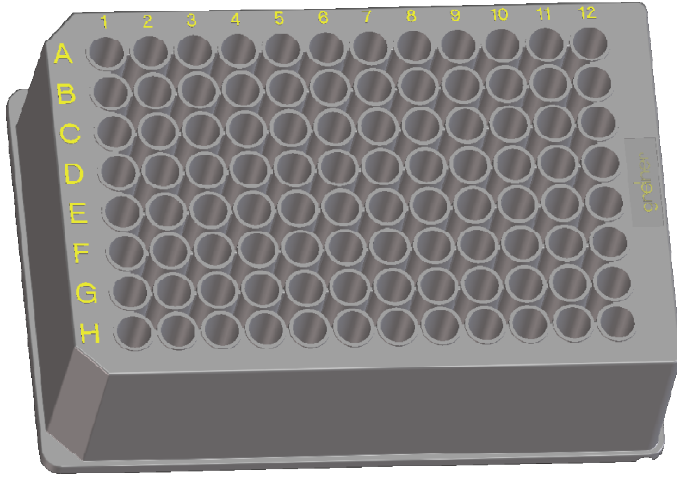


Valid for Item-No.: 780201, 780215, 780203, 780204, 780205, 780206, 780261, 780263, 780264, 780265, 780266



"All dimensions in mm"

Customer drawing subject to change without notice!

Uncontrolled Copy

Prior Issue	Drawn	Approved	Released	<small>CONFIDENTIAL: Information contained in this document or drawing is confidential and proprietary to Greiner Bio-One GmbH. This document may not be reproduced for any reason without written permission from Greiner Bio-One GmbH. All rights of design, invention, and copyright are reserved.</small>
Revision 1	Date 2010/12/17	Date 2015/01/23	Date 2015/01/23	
Date 2011/02/01	Name forb	Name schwarzj	Name sonntag	