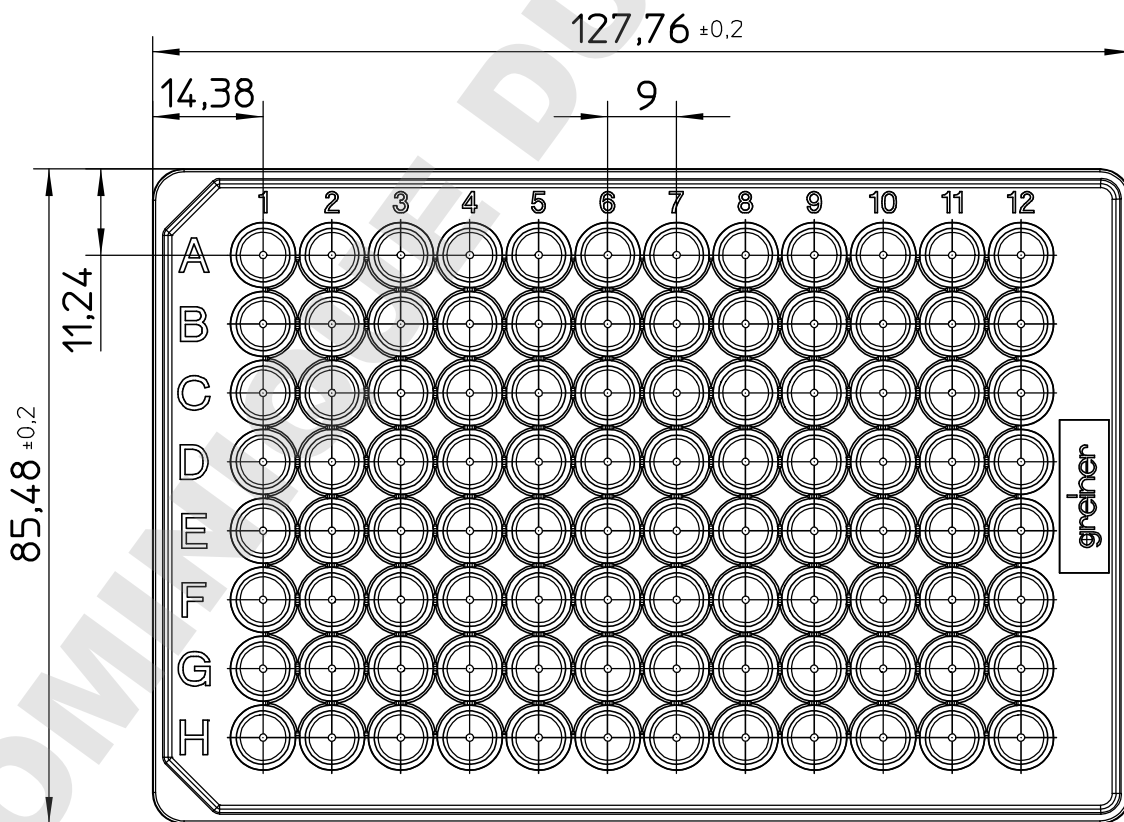
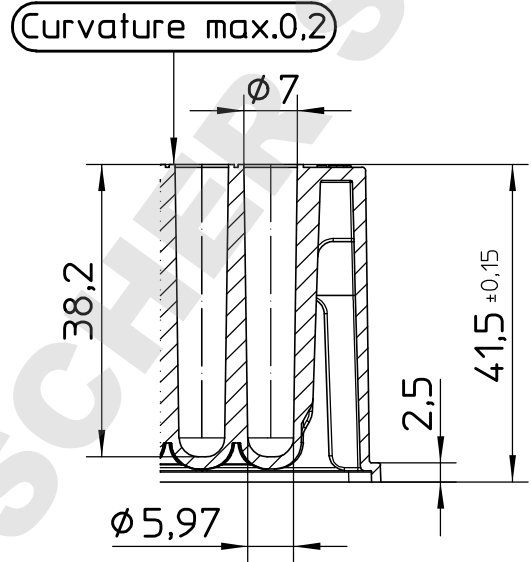
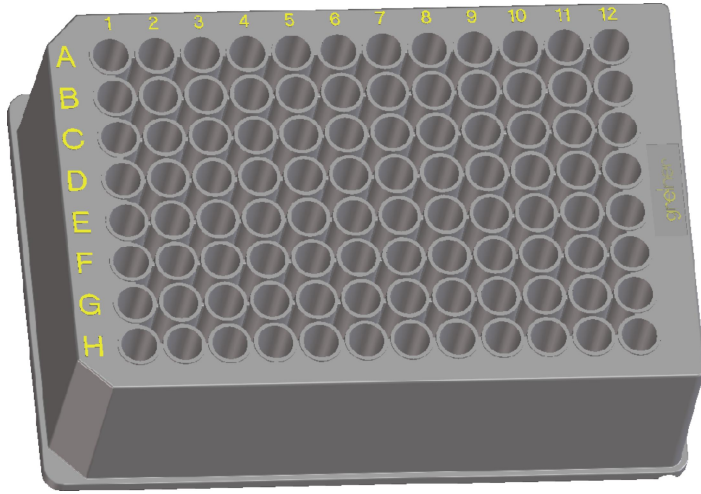


Valid for Item-No.: 780201, 780210, 780215, 780261



"All dimensions in mm"

Customer drawing subject to change without notice!

Uncontrolled Copy

Prior Issue	Drawn	Approved	Released	CONFIDENTIAL: Information contained in this document or drawing is confidential and proprietary to Greiner Bio-One GmbH. This document may not be reproduced for any reason without written permission from Greiner Bio-One GmbH. All rights of design, invention, and copyright are reserved.
Revision	Date	Date	Date	
5	2010/12/17	2017/05/15	2017/05/15	
Date	Name	Name	Name	
2016/09/15	forb	schwarzj	sonntag	