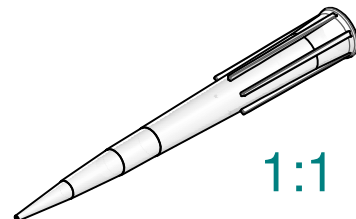
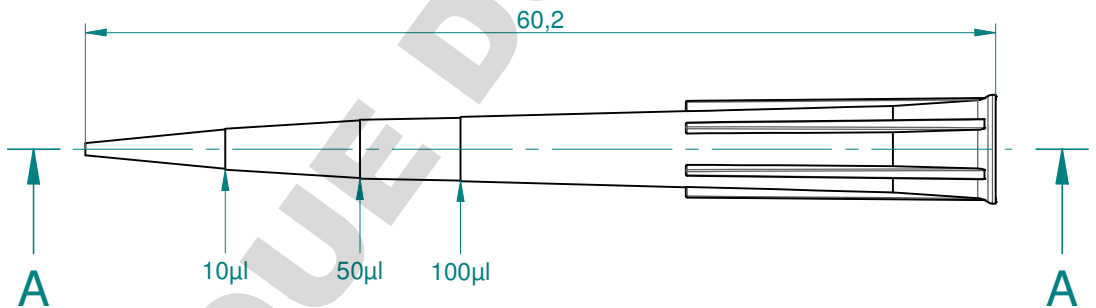
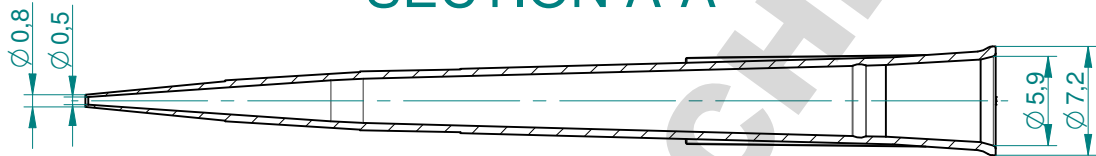


Valid for Item-No.: 776350, 776351, 776352, 776354, 776355

Related box: 770330 (green insert)

CONFIDENTIAL

SECTION A-A



"All dimensions in mm"

Customer drawing subject to change without notice!

Uncontrolled Copy

Prior Issue	Drawn	Approved	Released	CONFIDENTIAL: Information contained in this document or drawing is confidential and proprietary to Greiner Bio-One GmbH. This document may not be reproduced for any reason without written permission from Greiner Bio-One GmbH. All rights of design, invention, and copyright are reserved.
Revision -	Date 24.07.2019	Date Jul. 2019	Date Jul. 2019	
Date -	Name N. Schöfecker	Name M. Mizelli	Name R. Heller	