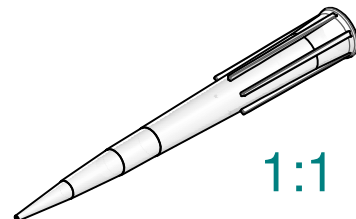
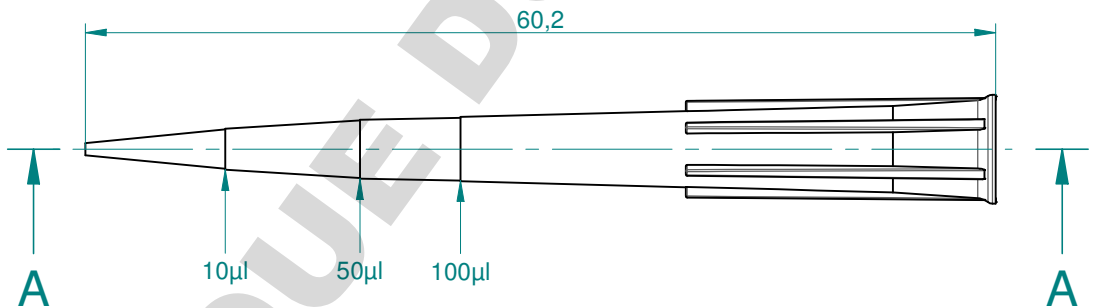
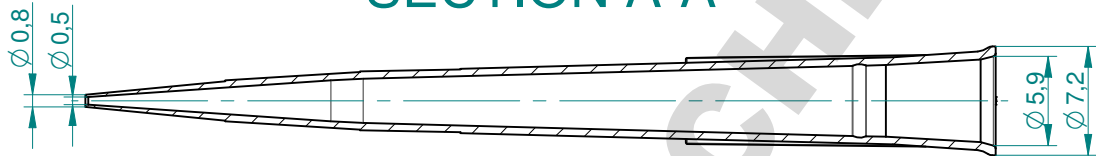


Valid for Item-No.: 776350, 776351, 776352, 776354, 776355

Related box: 770330 (green insert)

CONFIDENTIAL

SECTION A-A



"All dimensions in mm"

Customer drawing subject to change without notice!

Uncontrolled Copy

| Prior Issue | Drawn         | Approved   | Released  | CONFIDENTIAL:<br>Information contained in this document or drawing is confidential and proprietary to Greiner Bio-One GmbH. This document may not be reproduced for any reason without written permission from Greiner Bio-One GmbH. All rights of design, invention, and copyright are reserved. |
|-------------|---------------|------------|-----------|---|
| Revision    | Date          | Date       | Date      |   |
| -           | 24.07.2019    | Jul. 2019  | Jul. 2019 |   |
| Date        | Name          | Name       | Name      |   |
| -           | N. Schöfecker | M. Mizelli | R. Heller |   |