



DOC022.98.80629

HQ1110, HQ1130, HQ1140, HQ2100, HQ2200, HQ4100, HQ4200, HQ4300

09/2022, Edition 4



Basic User Manual
Allgemeines Benutzerhandbuch
Manuale di base per l'utente
Manuel d'utilisation simplifié
Manual básico del usuario
Manual básico do utilizador
Základní uživatelská příručka
Grundlæggende brugervejledning
Basishandleiding voor gebruikers
Podstawowy podręcznik użytkownika
Allmän användarhandbok
Peruskäyttöohje
Basic User Manual
Основно ръководство на потребителя
Alapvető felhasználói kézikönyv
Manual de utilizare de bază
Pagrindinis naudotojo vadovas
Базовое руководство пользователя
Temel Kullanıcı Kılavuzu
Základná používateľská príručka
Osnovni uporabniški priročnik
Osnovni korisnički priručnik
Βασικό εγχειρίδιο χρήστη
Kasutusjuhend
دليل المستخدم الأساسي

Table of Contents

English.....	3
Deutsch.....	22
Italiano.....	41
Français.....	60
Español.....	79
Português.....	98
Čeština.....	117
Dansk.....	136
Nederlands.....	155
Polski.....	174
Svenska.....	193
Suomi.....	212
Norsk.....	231
български.....	250
Magyar.....	269
Română.....	288
lietuvių kalba.....	307
Русский.....	326
Türkçe.....	345
Slovenský jazyk.....	364
Slovenski.....	383
Hrvatski.....	402
Ελληνικά.....	421
eesti keel.....	440
العربية.....	459

Table of Contents

1 Online user manual on page 3	8 Operation on page 16
2 Product overview on page 3	9 Meter settings on page 18
3 Specifications on page 4	10 Probe settings on page 19
4 General information on page 5	11 Data management on page 19
5 Installation on page 7	12 Maintenance on page 20
6 Startup on page 12	13 Troubleshooting on page 20
7 User interface and navigation on page 13	14 Replacement parts on page 20

Section 1 Online user manual

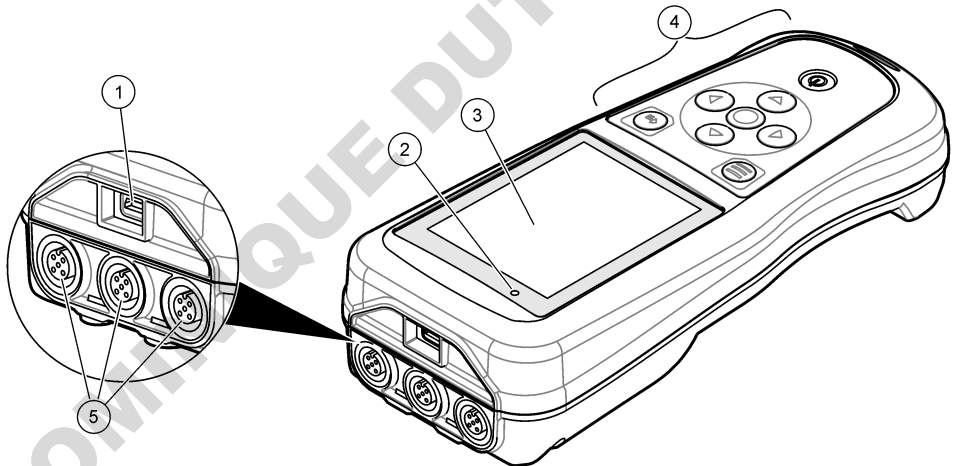
This Basic User Manual contains less information than the User Manual, which is available on the manufacturer's website.

Section 2 Product overview

The HQ Series portable meters are used with digital Intellical probes to measure one or more water quality parameters. Refer to [Figure 1](#). The meter automatically recognizes the type of probe that is connected. The meter can connect to a PC or USB storage device to transfer data that is saved in the meter. The optional Hach Communication Dongle (HCD) connects the meter to Claros.

The HQ Series portable meters are available in eight models. [Table 1](#) shows the types of probes that can connect to each model.

Figure 1 Product overview



1 Micro-USB connector	4 Keypad
2 LED indicator	5 Intellical probe ports (three probe-port option shown)
3 Display	

Table 1 HQ Series meter models

Meter model	Probe connectors	pH/mV/ORP ¹ probes	LDO/LBOD ² probes	Conductivity ³ probes	ISE ⁴ probes
HQ1110	1	✓			
HQ1130	1		✓		
HQ1140	1			✓	
HQ2100	1	✓	✓	✓	
HQ2200	2	✓	✓	✓	
HQ4100	1	✓	✓	✓	✓
HQ4200	2	✓	✓	✓	✓
HQ4300	3	✓	✓	✓	✓

Section 3 Specifications

Specifications are subject to change without notice.

Specification	Details
Dimensions (L x W x H)	22 x 9.7 x 6.3 cm (8.7 x 3.8 x 2.5 in.)
Weight	HQ1110, HQ1130, HQ1140 and HQ2100: 519 g (18.3 oz); HQ2200: 541 g (19.1 oz); HQ4100: 530 g (18.7 oz); HQ4200: 550 g (19.4 oz); HQ4300: 570 g (20.1 oz)
Enclosure rating	IP67 with battery compartment installed
Power requirements (internal)	Rechargeable lithium-ion battery 18650 (18-mm diameter x 65-mm length, cylindrical), 3.7 VDC, 3200 mAh; Battery Life: > 1 week with typical use (10 readings/day, 5 days/week in Continuous or Push to read mode, or > 24 hours in Interval mode with 5 minute intervals and shutdown timer ≤ 15 minutes)
Power requirements (external)	Class II, USB power adapter: 100–240 VAC, 50/60 Hz input; 5 VDC at 2 A USB power adapter output
Meter protection class	IEC Class III (SELV (Separated/Safety Extra-Low Voltage) powered); USB power adapter is IEC Class II (double-insulated)
Operating temperature	0 to 60 °C (32 to 140 °F)
Charging temperature	10 to 40 °C (50 to 104 °F)
Operating humidity	90% (non-condensing)
Storage temperature	–20 to 60 °C (–4 to 140 °F) maximum 90% relative humidity (non-condensing)
Probe connector	5-pin M12 connector for Intellical probes
Micro-USB connector	The micro-USB connector enables USB cable and USB power adapter connectivity.
Data log (internal)	HQ1000 Series: 5000 data points; HQ2000 Series: 10,000 data points; HQ4000 Series: 100,000 data points

¹ pH/mV/ORP probes include temperature

² LDO/LBOD probes include temperature

³ Conductivity probes include salinity, TDS (total dissolved solids), resistivity, temperature

⁴ Ion-selective probes such as ammonia, nitrate, chloride, fluoride, sodium

Specification	Details
Data storage	Automatic storage in Push to read and Interval modes. Manual storage in Continuous mode.
Data export	USB connection to PC or USB storage device (limited to the storage device capacity)
Temperature correction	Off, automatic and manual (parameter-specific)
Certifications	CE, UKCA, FCC, ISED, RCM, KC, ETL Verified: US DOE/ NRCAN Energy Efficiency, RoHS
Warranty	HQ1000 and HQ2000 series: 1 year (US), 2 years (EU); HQ4000 series: 3 years (US), 3 years (EU)

Section 4 General information

In no event will the manufacturer be liable for damages resulting from any improper use of product or failure to comply with the instructions in the manual. The manufacturer reserves the right to make changes in this manual and the products it describes at any time, without notice or obligation. Revised editions are found on the manufacturer's website.

4.1 Safety information

The manufacturer is not responsible for any damages due to misapplication or misuse of this product including, without limitation, direct, incidental and consequential damages, and disclaims such damages to the full extent permitted under applicable law. The user is solely responsible to identify critical application risks and install appropriate mechanisms to protect processes during a possible equipment malfunction.

Please read this entire manual before unpacking, setting up or operating this equipment. Pay attention to all danger and caution statements. Failure to do so could result in serious injury to the operator or damage to the equipment.

Make sure that the protection provided by this equipment is not impaired. Do not use or install this equipment in any manner other than that specified in this manual.

4.2 Use of hazard information

▲ DANGER

Indicates a potentially or imminently hazardous situation which, if not avoided, will result in death or serious injury.

▲ WARNING

Indicates a potentially or imminently hazardous situation which, if not avoided, could result in death or serious injury.

▲ CAUTION

Indicates a potentially hazardous situation that may result in minor or moderate injury.

NOTICE

Indicates a situation which, if not avoided, may cause damage to the instrument. Information that requires special emphasis.

4.3 Precautionary labels

Read all labels and tags attached to the instrument. Personal injury or damage to the instrument could occur if not observed. A symbol on the instrument is referenced in the manual with a precautionary statement.

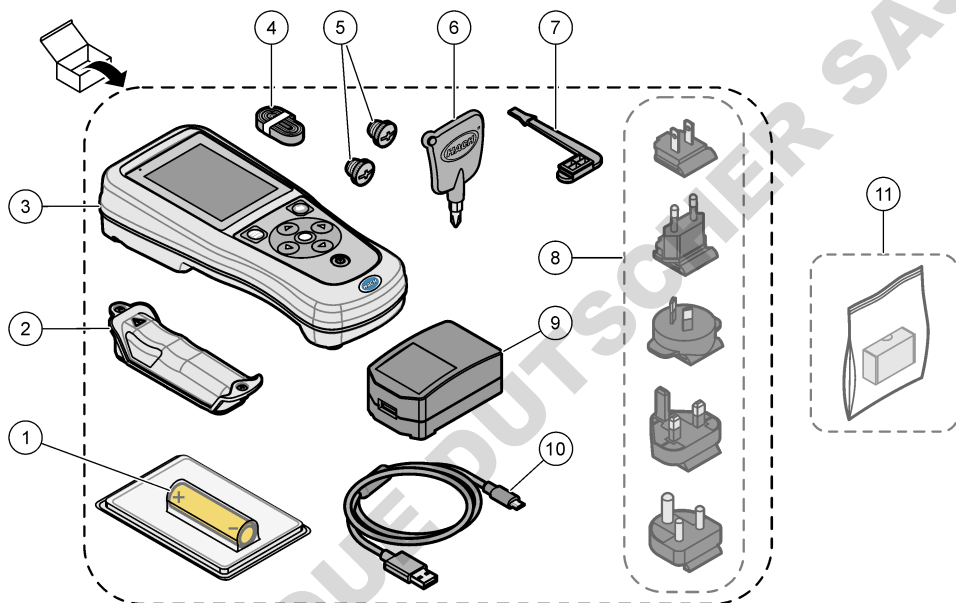


Electrical equipment marked with this symbol may not be disposed of in European domestic or public disposal systems. Return old or end-of-life equipment to the manufacturer for disposal at no charge to the user.

4.4 Product components

Make sure that all components have been received. Refer to [Figure 2](#). If any items are missing or damaged, contact the manufacturer or a sales representative immediately.

Figure 2 Product components



1 Rechargeable lithium-ion battery	7 USB port plug
2 Battery compartment	8 Optional power plugs
3 Meter	9 USB power adapter
4 Hand lanyard	10 USB cable, Type A to micro, 1 m (3.3 ft)
5 Probe connector plugs	11 Optional Hach Communication Dongle (HCD)
6 Screwdriver (#1 Phillips)	

4.5 Certification

Canadian Radio Interference-Causing Equipment Regulation, ICES-003, Class B:

Supporting test records reside with the manufacturer.

This Class B digital apparatus meets all requirements of the Canadian Interference-Causing Equipment Regulations.

Cet appareil numérique de classe B répond à toutes les exigences de la réglementation canadienne sur les équipements provoquant des interférences.

FCC Part 15, Class "B" Limits

Supporting test records reside with the manufacturer. The device complies with Part 15 of the FCC Rules. Operation is subject to the following conditions:

1. The equipment may not cause harmful interference.
2. The equipment must accept any interference received, including interference that may cause undesired operation.

Changes or modifications to this equipment not expressly approved by the party responsible for compliance could void the user's authority to operate the equipment. This equipment has been tested and found to comply with the limits for a Class B digital device, pursuant to Part 15 of the FCC rules. These limits are designed to provide reasonable protection against harmful interference when the equipment is operated in a commercial environment. This equipment generates, uses and can radiate radio frequency energy and, if not installed and used in accordance with the instruction manual, may cause harmful interference to radio communications. Operation of this equipment in a residential area is likely to cause harmful interference, in which case the user will be required to correct the interference at their expense. The following techniques can be used to reduce interference problems:

1. Move the equipment away from the device receiving the interference.
2. Reposition the receiving antenna for the device receiving the interference.
3. Try combinations of the above.

4.6 Hach Communication Dongle (optional)

The optional Hach Communication Dongle (HCD) uses Bluetooth^{®5} Low Energy to communicate with Claros. Follow all manufacturer guidance and warnings to install and operate the device. Refer to the documentation that is supplied with the HCD.

4.7 Intended use



▲ CAUTION	
	Chemical exposure hazard. Obey laboratory safety procedures and wear all of the personal protective equipment appropriate to the chemicals that are handled. Refer to the current safety data sheets (MSDS/SDS) for safety protocols.

The HQ Series portable meters are intended for use by individuals who measure water quality parameters in the laboratory or in the field. The HQ Series meters do not treat or alter water.

Section 5 Installation

▲ DANGER	
	Multiple hazards. Only qualified personnel must conduct the tasks described in this section of the document.

5.1 Lithium battery safety




▲ WARNING	
 	Fire and explosion hazard. Lithium batteries may get hot, explode or ignite and cause serious injury if exposed to abuse conditions.

- Do not use the battery if there is visible damage.

⁵ The Bluetooth[®] word mark and logos are registered trademarks owned by the Bluetooth SIG, Inc. and any use of such marks by HACH is under license.

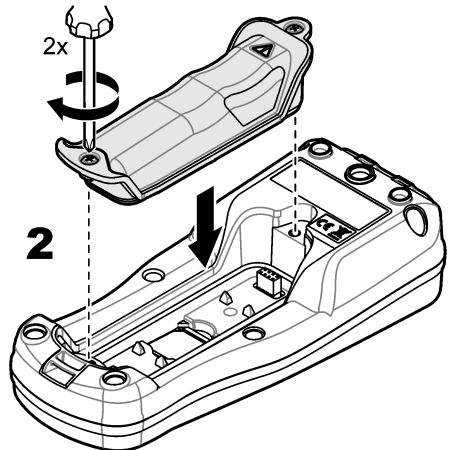
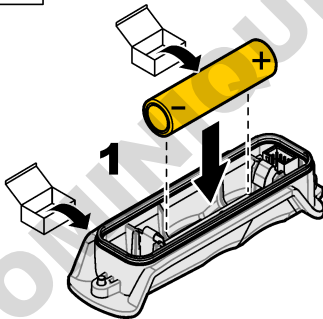
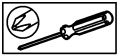
- Do not use the battery after strong shock or vibration occurs.
- Do not expose the battery to fire or ignition.
- Keep the battery at temperatures less than 70 °C (158 °F).
- Keep the battery dry and away from water.
- Prevent contact between the positive and negative battery terminals.
- Do not let unauthorized persons touch the battery.
- Discard the battery in accordance with local, regional and national regulations.
- Do not use or store the instrument in direct sunlight, near a heat source or in high temperature environments such as a closed vehicle in direct sunlight.

5.2 Install the battery

⚠ WARNING	
 	<p>Fire and explosion hazard. This equipment contains a high energy lithium battery which can ignite and cause fire or explosion, even without power. To maintain the safety provided by the instrument enclosure, the instrument enclosure covers must be installed and secured with the supplied hardware.</p>
⚠ WARNING	
	<p>Explosion and fire hazard. Battery substitution is not permitted. Use only batteries that are supplied by the instrument manufacturer.</p>

Only use the manufacturer-supplied lithium-ion rechargeable battery. Refer to [Figure 3](#) for battery installation or removal.

Figure 3 Battery installation and removal



5.3 Charge the battery

⚠ DANGER



Electrocution hazard. If this equipment is used outdoors or in potentially wet locations, a Ground Fault Circuit Interrupt (GFCI/GFI) device must be used for connecting the equipment to its main power source.

⚠ WARNING



Fire hazard. Use only the external power supply that is specified for this instrument.

⚠ WARNING



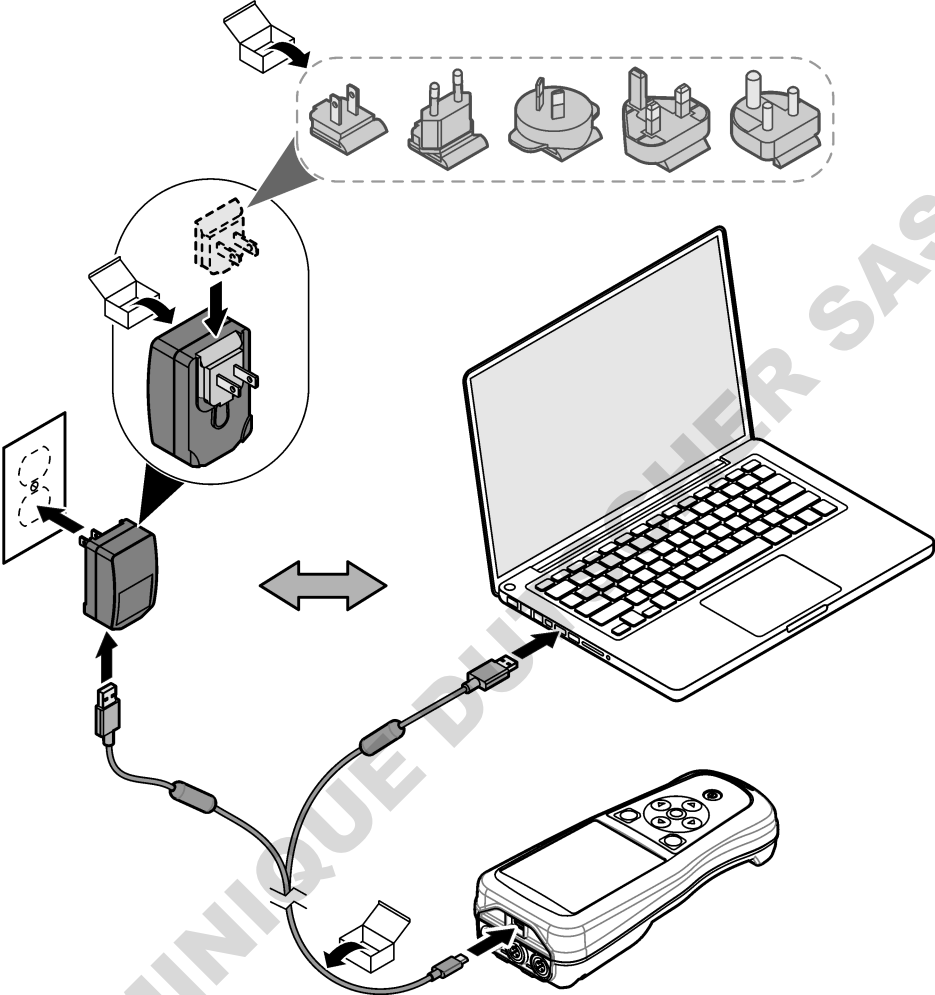
Electrical shock hazard. Externally connected equipment must have an applicable country safety standard assessment.

NOTICE

Always install the USB port plug when the port is not in use to keep the port clean and to prevent corrosion. Do not charge the battery if the USB port is wet, dirty or has corrosion. Refer to [Install the USB and probe port plugs](#) on page 11.

Use the supplied USB cable and USB power adapter or a PC to charge the battery. Refer to [Figure 4](#). When the instrument connects to power and the on/off key is pushed, the green LED indicator is on. The user can operate the instrument while the battery charges. A battery with no charge becomes fully charged after approximately 5 hours when the USB power adapter is used and the instrument power is off. Make sure to install the USB port plug when the USB port is not in use. Refer to [Install the USB and probe port plugs](#) on page 11.

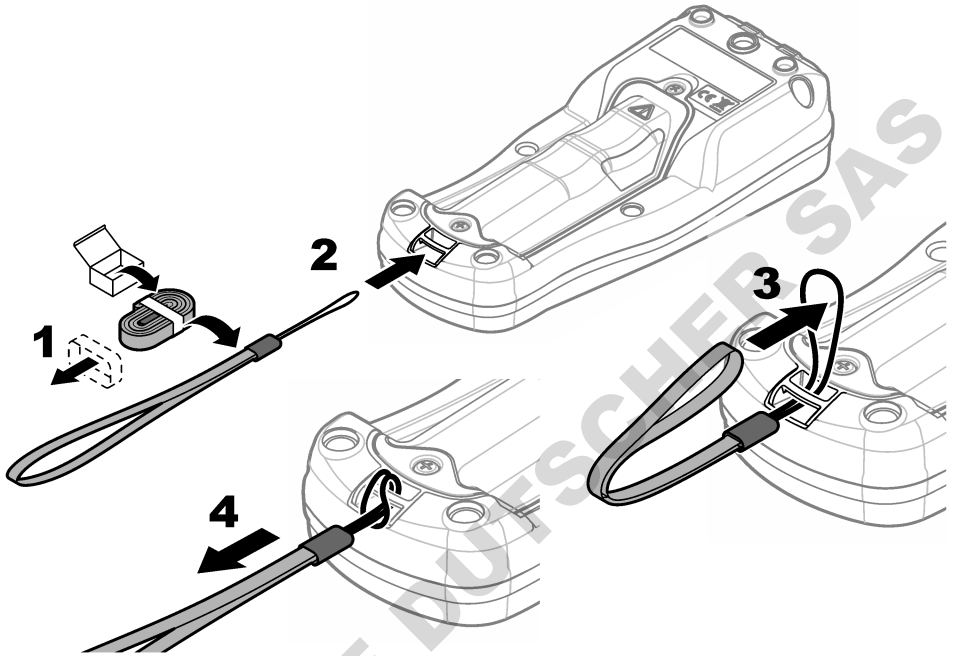
Figure 4 Connect to the USB power adapter or a PC



5.4 Install the lanyard

Install the lanyard to safely hold the meter. Refer to [Figure 5](#).

Figure 5 Lanyard installation



5.5 Install the USB and probe port plugs

Make sure to install the port plugs in the USB and probe port(s) when the ports are not in use to keep the ports clean and to prevent corrosion. The port plugs must be installed in the empty ports to keep the enclosure rating of the instrument. Refer to [Figure 6](#) and [Figure 7](#).

Note: [Figure 6](#) shows a meter with three probe ports. Some meter models have only one or two probe ports.

Figure 6 Port plug installation

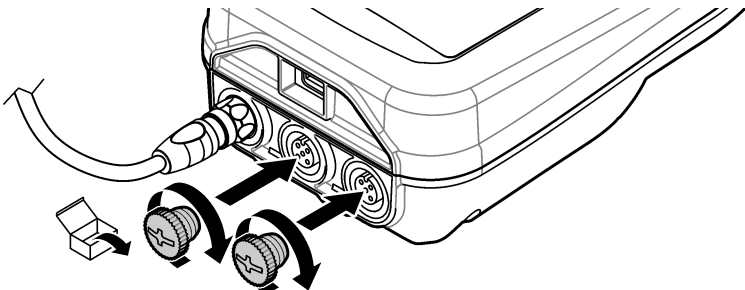
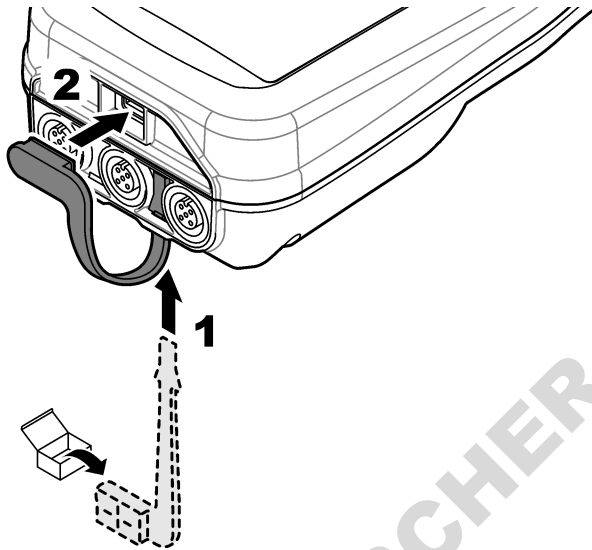



Figure 7 USB port plug installation



Section 6 Startup

6.1 Start the meter

Push  to start the meter. If the meter does not start, make sure that the battery is installed correctly or the meter is connected to a power source. Refer to [Charge the battery](#) on page 9.

6.2 Select the language

When the meter is powered on for the first time or when a new battery is installed, the display shows the language selection screen. Select the applicable language. The user can also change the language from the Settings menu.

6.3 Set the date and time

When the meter is powered on for the first time or when a new battery is installed, the display shows the Date-Time screen. Complete the steps that follow to set the date and time.

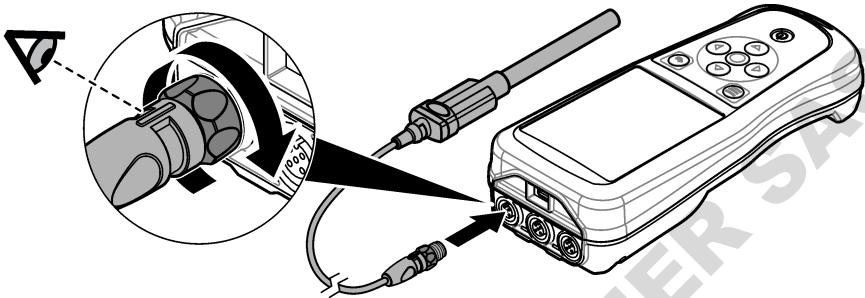
Note: *The user can also change the date and time from the Settings menu.*

1. Push the up and down arrow keys to select a date format.
2. Push the right arrow to go to the date and time.
3. Push the up and down arrow keys to change the date and time.
4. Push the right arrow to highlight Save.
5. Select Save to keep the settings.

6.4 Connect a probe

Make sure to set the time and date in the meter before a probe is connected. The time stamp for a probe is set when the probe is first connected to the meter. The time stamp automatically records the probe history and the time when measurements are made. Refer to [Figure 8](#) to connect a probe to the meter.

Figure 8 Connect a probe to the meter



Section 7 User interface and navigation

After startup, the display shows the home screen. Refer to [Home screen](#) on page 13. Use the keypad to select the available options and to change values. Refer to [Keypad](#) on page 15. Use the main menu to go to settings and other menus. Refer to [Main menu](#) on page 16.

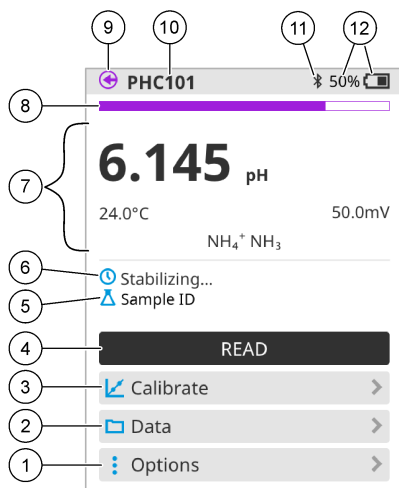
7.1 Home screen

The display shows the home screen when the meter is on and a probe is connected to the meter. Refer to [Figure 9](#). The HQ4100, HQ4200, HQ4300 models have a color display. For models with two or three probe ports, the screen shows all of the connected probes. Refer to [Figure 10](#).

The tasks that follow are available from the home screen:

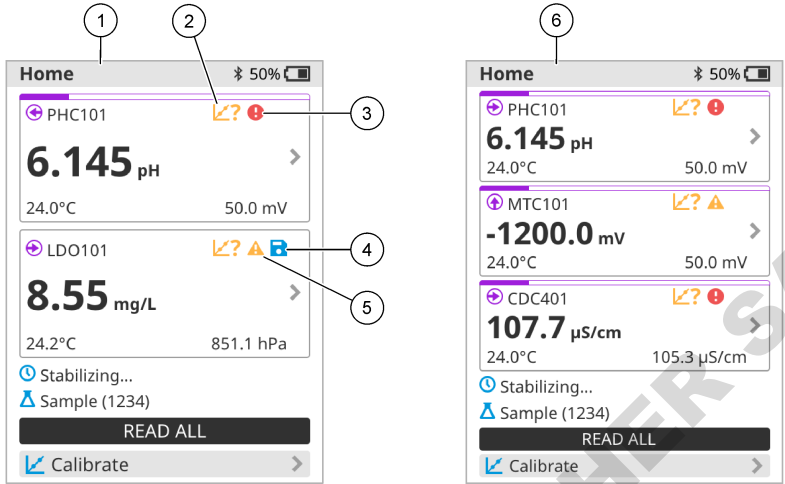
- Measure samples
- Calibrate a probe
- Verify a calibration
- Set sample ID's (identification)
- View and manage data
- Read step-by-step instructions

Figure 9 Home screen example—One probe



1 Options menu: gives access to instructions and other menus	7 Measurement value section: shows the measured value, temperature and units
2 Data menu: gives access to view and manage data	8 Measurement stability status indicator: shows the status of the measurement
3 Calibrate button: starts a calibration	9 Intellical probe port: shows the port location of the connected probe
4 Read button: reads the sample or standard solution value	10 Intellical probe name: shows the model name of the connected probe
5 Sample ID: shows the name of the sample that is measured	11 Bluetooth® icon (if Hach Communication Dongle is installed): shows when a bluetooth connection is active
6 Message area: shows the measurement status, sample ID, errors and warnings	12 Battery charge indicator: shows the percent of the battery charge

Figure 10 Home screen example—Two or three probes

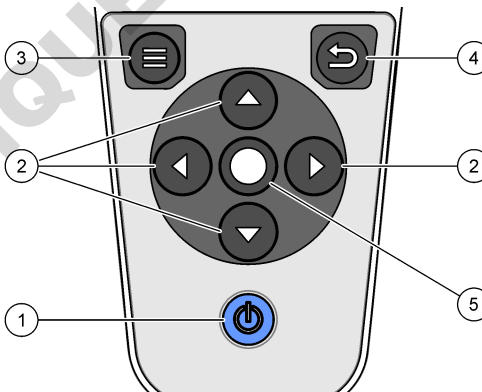


1 Home screen with two probes	4 Save icon: the measurement data is in the data log
2 Calibrations icon: indicates that the calibration was not accepted or has expired	5 Warning icon (refer to Troubleshooting on page 20)
3 Error icon (refer to Troubleshooting on page 20)	6 Home screen with three probes

7.2 Keypad

Refer to [Figure 11](#) for a description of the keypad.

Figure 11 Keypad description



1 On/off key	4 Back key
2 Navigation arrows	5 Select key
3 Menu key	

7.3 Main menu


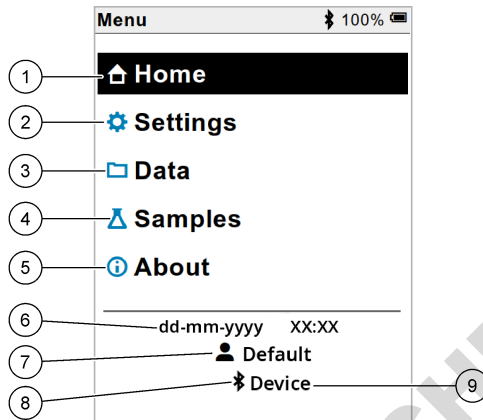
Push  to go to the main menu. Refer to [Figure 12](#).

Figure 12 Main menu description



1 Home screen	4 Sample ID menu	7 User ID
2 Settings menu	5 About meter screen	8 Bluetooth® icon (if HCD is installed)
3 Data menu	6 Date and time	9 Bluetooth® device ID (if HCD is installed)

Section 8 Operation

This section gives general operation instructions for the meter. For more complete instructions, refer to the on-screen instructions in the meter or in the user manual for the probe.

8.1 Measure samples


The steps that follow are general steps to measure samples with the meter.

1. Select the measurement mode. Refer to [Meter settings](#) on page 18.
2. Prepare the sample for measurement. Refer to the on-screen instructions in the meter or in the user manual for the probe.
3. Measure the sample as follows:
 - **Push to read mode:** Select Read (or Read all) to measure the sample value. The meter automatically saves the value.
 - **Interval mode:** Select Start (or Start all) to start the measurements. The meter automatically measures and saves the sample value at the specified time intervals. Select Stop (or Stop all) to stop the measurements.
 - **Continuous mode:** The meter measures the sample value continuously. Select Save (or Save all) to save the value that shows on the display screen.

After each measurement, the display shows the result. The save icon shows on the display if the result is saved in the data log.

8.2 Calibrate a probe


The steps that follow are general steps for probe calibration with the meter. To change the calibration settings, refer to [Probe settings](#) on page 19.

1. From the home screen, select  Calibrate. If more than one probe is connected, select the probe to calibrate. The display shows the solution(s) to use for the calibration.
2. Prepare the buffers or standard solutions for calibration. Use the on-screen instructions in the meter or in the user manual for the probe.
3. Select Read to start the calibration. The meter measures the value of the calibration solution. When the measurement is complete, the display shows the result.
4. Select Read to measure the value of the other buffers or standard solutions, if applicable. Select Save to save the calibration.

Note: If the calibration is not accepted, refer to the on-screen troubleshooting instructions in the meter or in the user manual for the probe.

8.3 Verify the calibration


The steps that follow are general steps to verify a probe calibration with the meter. To change the verification settings, refer to [Probe settings](#) on page 19.

1. From the home screen, select Options > Verify calibration. The display shows the buffer or standard solution to use for the verification.
Note: If more than one probe is connected, select the probe to verify.
2. Prepare the buffer or standard solution for verification. Use the on-screen instructions in the meter or in the user manual for the probe.
3. Select Read to start the verification. The meter measures the value of the verification solution. When the measurement is complete, the display shows the result.
4. If the verification is successful , select Save to save the result.

Note: If the verification is not accepted, refer to the on-screen troubleshooting instructions in the meter or in the user manual for the probe.

8.4 Include sample ID with measurement data


The instrument can save a sample name (ID) with the stored measurement data. Enter multiple sample names in the instrument, then select the applicable sample name before the samples are measured. The instrument adds numbers to samples with the same name, e.g., "Sample name (2)".

1. Push  and select Samples.
2. Select an option.

Option	Description
Sample	Selects the sample name to save with the sample measurements.
Create new sample	Opens a screen to add new sample names. Sample names can include letters and numbers.
Delete samples	Removes sample names.

8.5 Include user ID with stored data

The instrument can record a user name (ID) with the stored data. Enter multiple user names in the instrument, then select the applicable user name before calibrations or measurements are started.


1. Push  and select Settings. The list of settings shows.
2. Select Users.
3. Select an option.

Option	Description
User	Selects the user name. The selected user name shows on the main menu screen and is saved with the stored data.
Create new user	Opens a screen to add new user names. User names can include letters and numbers.
Delete users	Removes user names.

Section 9 Meter settings

Complete the steps that follow to change the general settings for the meter.

Note: Password protection may prevent access to some menus. Refer to the online user manual for information on access control.


1. Push  and select Settings. The list of settings shows.
2. Select an option.

Option	Description
[Probe name]	Changes the probe-specific settings for measurements, calibration and verification. Refer to Probe settings on page 19 to change the settings for the connected probe.
Measurement mode	Sets when measurements are started. Options: Push to read, Continuous or Interval. Push to read: The sample is measured only when Read is pushed. Data is saved in the data log automatically when the stability criteria are met. Interval: The sample is measured at regular intervals for a specified duration. Data is stored in the data log automatically. Continuous: The meter measures the sample value continuously. Data is only saved in the data log when the user selects Save.
Temperature	Sets the temperature units to °C or °F.
Display	Changes the settings for the display. Options: Brightness, Backlight and Shutdown. Brightness: Changes the intensity of the backlight. Options: 10 to 100% (default: 50%). Backlight: Sets the backlight to off when the meter is not used for a specified time. Options: 15 seconds, 30 seconds, 1 minute, 5 minutes or Never. Shutdown: Sets the meter to off when the meter is not used for a specified time. Options: 1 minute, 2 minutes, 5 minutes, 10 minutes, 30 minutes, 1 hour, 2 hours or Never.
Sound	Sets the meter to make a sound during key presses or notifications. Options: Key Press, Stability Alert, Reminder, Error/Warning Alert or (battery) Charge Complete.
Users	Selects a user, adds a new user or deletes a user.
Date-Time	Sets the date/time format, date and time in the meter.
Language	Sets the meter language.
Access	Sets a password to prevent access to the probe settings, some meter settings (measurement mode, temperature, language) and software updates. A user without the password cannot delete settings or data when the access control is on.
Diagnostics	Makes a diagnostic file for technical support or service if a technical problem occurs. The user must connect the meter to a PC to get the file.

Section 10 Probe settings

When a probe is connected to the meter, the user can change the probe settings for measurements, calibrations and verifications. Refer to the steps that follow to access the settings for the connected probe. For a complete description of the settings, refer to the online user manual for the meter.

Note: Password protection may prevent access to some menus. Refer to the online user manual for information on security settings.


1. Push  and select Settings. The list of settings shows.
2. Select the probe name.
3. Select the applicable option: Measurement, Calibration or Verification.

Section 11 Data management

The meter saves the data from sample measurements, calibrations and verifications as follows:

- Sample measurements—The meter automatically saves the measured sample data when the measurement mode is Push to read or Interval. When the measurement mode is Continuous, the user must select Save to save the measured sample data. The save icon shows on the Home screen when the measured sample data is in the data log.
- Calibration data—The user must select Save to save the calibration data. The calibration data is saved in the meter and in the Intellical probe.
- Verification data—The user must select Save to save the verification data.

Complete the steps that follow to view, export or delete data.

1. Push  and select Data, or select Data from the Home screen.
2. Select an option.

Option	Description
View data	<p>Shows the data in the data log. The most recent data shows first. Push the down arrow to see more data. The calibration icon shows when the data type is calibration data. The verification icon shows when the data type is verification data.</p> <p>To see more details for a data point, select a data row and push the right arrow. To apply a filter and show only the filtered data, push the left arrow and select a parameter, data type or date range.</p>
Export data	<p>Sends a copy of all of the data in the data log to a connected PC or a USB storage device. To connect the instrument to a PC, refer to Figure 4 on page 10. To connect the instrument to a standard USB storage device, use a micro USB to USB Type A adapter. Alternatively, use a USB storage device that has a micro USB connector.</p> <p>When the instrument connects to a PC, a File Explorer window opens to a drive with the name "HQ-Series". Expand the drive and look for a subfolder with the meter name and serial number. The data file shows as a .csv file with the date and time as the file name. Save the .csv file to a location on the PC.</p> <p>Note: If the File Explorer window does not open automatically, open a File Explorer window and look for a drive with the name "HQ-Series".</p>
Calibration history	<p>Shows the current and previous calibration data for a connected probe.</p>
Delete data	<p>Erases all of the data in the data log. Password protection may prevent access to the delete data option.</p>

Section 12 Maintenance

▲ CAUTION



Multiple hazards. Only qualified personnel must conduct the tasks described in this section of the document.

12.1 Clean the instrument

Clean the exterior of the instrument with a moist cloth and a mild soap solution and then wipe the instrument dry as necessary.

12.2 Replace the battery

Replace the battery when the battery does not charge or does not hold a charge. Use only the battery and the battery charger that are supplied by the manufacturer. Refer to [Install the battery](#) on page 8.



12.3 Prepare for shipping

The instrument contains a lithium-ion battery, which is regulated as a hazardous material and must comply with hazardous goods regulations for all types of transport. Use the procedures that follow to send the instrument for repair or maintenance:

- Disconnect the probes before shipping.
- Clean and decontaminate the instrument before shipping.
- For the best safety, remove the lithium-ion battery from the device and do not send the battery. If the battery must be sent, keep the battery installed in the battery enclosure but do not attach the battery enclosure to the instrument. Put the battery enclosure with the installed battery in separate packaging to prevent contact with electrically conductive materials (e.g., metals).
- Ship the instrument in the original packaging or ship the instrument in an alternative protective packaging.

Section 13 Troubleshooting

13.1 Use the on-screen troubleshooting instructions

The user interface has troubleshooting instructions to help correct problems that can occur during measurements, calibrations and verifications. When a problem occurs, the display shows the error  or warning  icon with a short description of the problem. Push the right arrow to see the recommended procedures to correct the problem.

Section 14 Replacement parts

▲ WARNING



Personal injury hazard. Use of non-approved parts may cause personal injury, damage to the instrument or equipment malfunction. The replacement parts in this section are approved by the manufacturer.

Note: Product and Article numbers may vary for some selling regions. Contact the appropriate distributor or refer to the company website for contact information.

Replacement parts

Description	Item no.
Battery, lithium ion, 18650, 3200 mAh, English language	LEZ015.99.00001
Battery, lithium ion, 18650, 3100 mAh, Chinese language	LEZ015.80.00001
Cable, USB 2.0 plug type A to micro plug type B, 0.91 m (3 ft)	LEZ015.99.00002
Field case for standard probes	LEZ015.99.A001A
Field case for rugged probes	LEZ015.99.A002A
Hand lanyard and dust plugs	LEZ015.99.A005A
Kickstand with hand strap	LEZ015.99.A003A
Protective glove	LEZ015.99.A004A
USB power adapter, 5 VDC, 2 A, 100–240 VAC, US	LEZ015.99.00006
USB power adapter, 5 VDC, 2 A, 100–240 VAC, EU + UK	LEZ015.99.00004
USB power adapter, 5 VDC, 2 A, 100–240 VAC, China	LEZ015.99.00005
USB power adapter, 5 VDC, 2 A, 100–240 VAC, ROW	LEZ015.99.00007

Inhaltsverzeichnis

- 1 [Online-Benutzerhandbuch](#) auf Seite 22
- 2 [Produktübersicht](#) auf Seite 22
- 3 [Technische Daten](#) auf Seite 23
- 4 [Allgemeine Informationen](#) auf Seite 24
- 5 [Installation](#) auf Seite 26
- 6 [Inbetriebnahme](#) auf Seite 31
- 7 [Benutzeroberfläche und Navigation](#) auf Seite 32
- 8 [Betrieb](#) auf Seite 35
- 9 [Messgeräteeinstellungen](#) auf Seite 37
- 10 [Sondeneinstellungen](#) auf Seite 38
- 11 [Datenmanagement](#) auf Seite 38
- 12 [Wartung](#) auf Seite 39
- 13 [Fehlerbehebung](#) auf Seite 40
- 14 [Ersatzteile](#) auf Seite 40

Kapitel 1 Online-Benutzerhandbuch

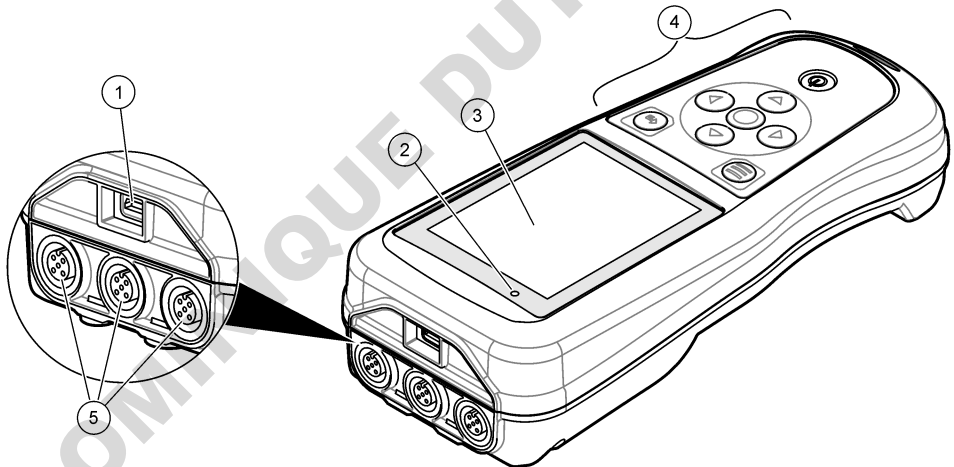
Dieses Basis-Benutzerhandbuch enthält weniger Informationen als das Benutzerhandbuch, das auf der Website des Herstellers verfügbar ist.

Kapitel 2 Produktübersicht

Die tragbaren Messgeräte der HQ-Serie werden mit digitalen Intellical Sonden zur Messung eines oder mehrerer Parameter für die Wasserqualität verwendet. Siehe [Abbildung 1](#). Das Messgerät erkennt automatisch die Art der angeschlossenen Sonde. Das Messgerät kann für die Übertragung der im Messgerät gespeicherten Daten an einen PC oder ein USB-Speichergerät angeschlossen werden. Der optionale Hoch-Kommunikationsdongle (HCD) verbindet das Messgerät mit Claros.

Die HQ-Serie tragbarer Messgeräte gibt es in acht Ausführungen. [Tabelle 1](#) zeigt die Sondentypen an, die an jedes Modell angeschlossen werden können.

Abbildung 1 Produktübersicht



1 Mikro-USB-Anschluss	4 Tastatur
2 LED-Anzeige	5 Intellical Sondenanschlüsse (Option mit drei Sondenanschlüssen abgebildet)
3 Display	

Tabelle 1 Messgerätmodelle der HQ-Serie

Messgerätmodell	Sondenstecker	pH/mV/ORP- ¹ Sonden	LDO/LBOD- ² Sonden	Leitfähigkeits- ³ Sonden	ISE- ⁴ Sonden
HQ1110	1	✓			
HQ1130	1		✓		
HQ1140	1			✓	
HQ2100	1	✓	✓	✓	
HQ2200	2	✓	✓	✓	
HQ4100	1	✓	✓	✓	✓
HQ4200	2	✓	✓	✓	✓
HQ4300	3	✓	✓	✓	✓

Kapitel 3 Technische Daten

Änderungen vorbehalten.

Technische Daten	Details
Abmessungen (L x B x H)	22 x 9,7 x 6,3 cm
Gewicht	HQ1110, HQ1130, HQ1140 und HQ2100: 519 g; HQ2200: 541 g; HQ4100: 530 g; HQ4200: 550 g; HQ4300: 570 g
Gehäuseschutzart	IP67 mit installiertem Akkufach/Batteriefach
Spannungsversorgung (intern)	Lithium-Ionen-Akku 18650 (18 mm Durchmesser x 65 mm Länge, zylindrisch), 3,7 VDC, 3200 mAh; Akkulaufzeit: > 1 Woche bei normaler Verwendung (10 Messungen/Tag, 5 Tage/Woche im Modus „Kontinuierlich“ oder „Messung auf Tastendruck“ bzw. > 24 Stunden im Modus „Intervall“ mit 5 Minuten Intervallen und Abschalt-Timer ≤ 15 Minuten)
Spannungsversorgung (extern)	USB-Netzadapter gemäß Klasse II: 100 - 240 VAC, 50/60 Hz Eingang; 5 VDC bei 2 A USB-Netzadapter-Ausgang
Schutzklasse des Messgerätes	IEC-Klasse III (SELV-betrieben, d.h. getrennt/sicher mit besonders niedriger Spannung); USB-Netzadapter hat IEC-Klasse II (doppelt isoliert)
Betriebstemperatur	0 bis 60 °C (32 bis 140 °F)
Ladetemperatur	10 bis 40 °C (50 bis 104 °F)
Luftfeuchtigkeit bei Betrieb	maximal 90% (nicht-kondensierend)
Lagertemperatur	-20 bis 60 °C, maximal 90 % relative Luftfeuchtigkeit (nicht-kondensierend)
Sondenstecker	5-poliger M12-Steckverbinder für Intellical Sonden
Mikro-USB-Anschluss	Der Micro-USB-Anschluss ermöglicht den Anschluss von USB-Kabeln und -Netzadaptern.
Datenprotokoll (intern)	HQ1000 Serie: 5000 Datenpunkte; HQ2000 Serie: 10.000 Datenpunkte; HQ4000 Serie: 100.000 Datenpunkte

¹ pH/mV/ORP-Sonden umfassen die Temperatur

² LDO/LBOD-Sonden umfassen die Temperatur

³ Leitfähigkeitssonden umfassen Salzgehalt, Gesamtgehalt an gelösten Feststoffen (TDS, Total Dissolved Solids), Widerstand, Temperatur

⁴ Ionenselektive Sonden wie Ammonium, Nitrat, Chlorid, Fluorid, Natrium

Technische Daten	Details
Datenspeicher	Automatische Speicherung im Modus „Messung auf Tastendruck“ und „Intervall“. Manuelle Speicherung im Modus „Kontinuierlich“.
Datenexport	USB-Anschluss zu PC oder USB-Speichergerät (beschränkt auf die Kapazität des Speichergerätes)
Temperaturkorrektur	Aus, automatisch und manuell (parameterspezifisch)
Zertifizierungen	Verifiziert gemäß CE, UKCA, FCC, ISED, RCM, KC, ETL: US DOE/NRCan Energieeffizienz, RoHS
Gewährleistung	Serie HQ1000 und HQ2000: 1 Jahr (USA), 2 Jahre (EU); Serie HQ4000: 3 Jahre (USA), 3 Jahre (EU)

Kapitel 4 Allgemeine Informationen

Der Hersteller haftet in keinem Fall für Schäden, die aus einer unsachgemäßen Verwendung des Produkts oder der Nichteinhaltung der Anweisungen in der Bedienungsanleitung resultieren. Der Hersteller behält sich jederzeit und ohne vorherige Ankündigung oder Verpflichtung das Recht auf Verbesserungen an diesem Handbuch und den hierin beschriebenen Produkten vor. Überarbeitete Ausgaben der Bedienungsanleitung sind auf der Hersteller-Webseite erhältlich.

4.1 Sicherheitshinweise

Der Hersteller ist nicht für Schäden verantwortlich, die durch Fehlanwendung oder Missbrauch dieses Produkts entstehen, einschließlich, aber ohne Beschränkung auf direkte, zufällige oder Folgeschäden, und lehnt jegliche Haftung im gesetzlich zulässigen Umfang ab. Der Benutzer ist selbst dafür verantwortlich, schwerwiegende Anwendungsrisiken zu erkennen und erforderliche Maßnahmen durchzuführen, um die Prozesse im Fall von möglichen Gerätefehlern zu schützen.

Bitte lesen Sie dieses Handbuch komplett durch, bevor Sie dieses Gerät auspacken, aufstellen oder bedienen. Beachten Sie alle Gefahren- und Warnhinweise. Nichtbeachtung kann zu schweren Verletzungen des Bedienpersonals oder Schäden am Gerät führen.

Stellen Sie sicher, dass die durch dieses Messgerät gebotene Sicherheit nicht beeinträchtigt wird. Verwenden bzw. installieren Sie das Messgerät nur wie in diesem Handbuch beschrieben.

4.2 Bedeutung von Gefahrenhinweisen

▲ GEFAHR

Kennzeichnet eine mögliche oder drohende Gefahrensituation, die, wenn sie nicht vermieden wird, zum Tod oder zu schweren Verletzungen führt.

▲ WARNUNG

Kennzeichnet eine mögliche oder drohende Gefahrensituation, die, wenn sie nicht vermieden wird, zum Tod oder zu schweren Verletzungen führen kann.

▲ VORSICHT

Kennzeichnet eine mögliche Gefahrensituation, die zu leichteren Verletzungen führen kann.

ACHTUNG

Kennzeichnet eine Situation, die, wenn sie nicht vermieden wird, das Gerät beschädigen kann. Informationen, die besonders beachtet werden müssen.

4.3 Warnhinweise

Lesen Sie alle am Gerät angebrachten Aufkleber und Hinweise. Nichtbeachtung kann Verletzungen oder Beschädigungen des Geräts zur Folge haben. Im Handbuch wird in Form von Warnhinweisen auf die am Gerät angebrachten Symbole verwiesen.

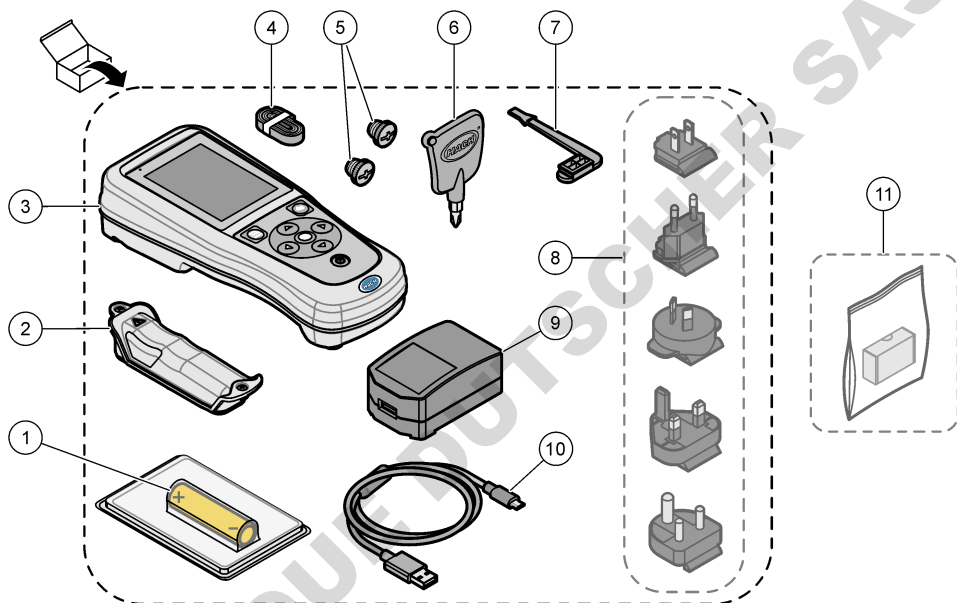


Elektrogeräte, die mit diesem Symbol gekennzeichnet sind, dürfen nicht im normalen öffentlichen Abfallsystem entsorgt werden. Senden Sie Altgeräte an den Hersteller zurück. Dieser entsorgt die Geräte ohne Kosten für den Benutzer.

4.4 Produktkomponenten

Stellen Sie sicher, dass Sie alle Teile erhalten haben. Siehe **Abbildung 2**. Wenn Komponenten fehlen oder beschädigt sind, kontaktieren Sie bitte umgehend den Hersteller oder Verkäufer.

Abbildung 2 Produktkomponenten



1	Lithium-Ionen-Akku	7	Kappe für USB-Anschluss
2	Akkufach/Batteriefach	8	Optionale Netzstecker
3	Messgerät	9	USB-Netzadapter
4	Handschlaufe	10	USB-Kabel, Typ A auf Micro, 1 m
5	Kappen für Sondenanschlüsse	11	Optionaler Hoch Kommunikationsdongle (HCD)
6	Kreuzschlitzschraubendreher (Nr.1 Phillips)		

4.5 Zertifizierung

Kanadische Vorschriften zu Interferenz verursachenden Einrichtungen, IECS-003, Klasse B:

Entsprechende Prüfnachweise hält der Hersteller bereit.

Dieses digitale Gerät der Klasse B erfüllt alle Vorgaben der kanadischen Normen für Interferenz verursachende Geräte.

Cet appareil numérique de classe B répond à toutes les exigences de la réglementation canadienne sur les équipements provoquant des interférences.

FCC Teil 15, Beschränkungen der Klasse „B“

Entsprechende Prüfnachweise hält der Hersteller bereit. Das Gerät entspricht Teil 15 der FCC-Vorschriften. Der Betrieb unterliegt den folgenden Bedingungen:

1. Das Gerät darf keine Störungen verursachen.
2. Das Gerät muss jegliche Störung, die es erhält, einschließlich jener Störungen, die zu unerwünschtem Betrieb führen, annehmen.


Änderungen oder Modifizierungen an diesem Gerät, die nicht ausdrücklich durch die für die Einhaltung der Standards verantwortliche Stelle bestätigt wurden, können zur Aufhebung der Nutzungsberechtigung für dieses Gerät führen. Dieses Gerät wurde getestet und erfüllt die Bestimmungen für digitale Geräte der Klasse B gemäß Teil 15 der FCC-Vorschriften. Diese Grenzwerte sollen einen angemessenen Schutz gegen gesundheitsschädliche Störungen gewährleisten, wenn dieses Gerät in einer gewerblichen Umgebung betrieben wird. Dieses Gerät erzeugt und nutzt hochfrequente Energie und kann diese auch abstrahlen, und es kann, wenn es nicht in Übereinstimmung mit der Bedienungsanleitung installiert und eingesetzt wird, schädliche Störungen der Funkkommunikation verursachen. Der Betrieb dieses Geräts in Wohngebieten kann schädliche Störungen verursachen. In diesem Fall muss der Benutzer die Störungen auf eigene Kosten beseitigen. Probleme mit Interferenzen lassen sich durch folgende Methoden mindern:

1. Vergrößern Sie den Abstand zwischen diesem Gerät und dem gestörten Gerät.
2. Ändern Sie die Position der Empfangsantenne des gestörten Geräts.
3. Versuchen Sie auch, die beschriebenen Maßnahmen miteinander zu kombinieren.

4.6 Hoch Kommunikationsdongle (optional)

Der optionale Hoch Kommunikationsdongle (HCD) verwendet Bluetooth^{®5} Low Energy zur Kommunikation mit Claros. Befolgen Sie bei der Installation und Bedienung des Geräts alle Anweisungen und Warnhinweise des Herstellers. Weitere Informationen entnehmen Sie der Dokumentation, die mit dem HCD geliefert wird.

4.7 Bestimmungsgemäßer Gebrauch

⚠ VORSICHT	
	Gefahr von Kontakt mit Chemikalien. Halten Sie sich an die Sicherheitsmaßnahmen im Labor, und tragen Sie Schutzkleidung entsprechend den Chemikalien, mit denen Sie arbeiten. Beachten Sie die Sicherheitsprotokolle in den aktuellen Materialsicherheitsdatenblättern (MSDS/SDB).



Die tragbaren Messgeräte der HQ-Serie sind für die Verwendung durch Personen vorgesehen, welche die Parameter zur Wasserqualität im Labor oder vor Ort messen. Das Wasser wird durch die Messgeräte der HQ-Serie nicht behandelt oder verändert.

Kapitel 5 Installation

⚠ GEFAHR	
	Mehrere Gefahren. Nur qualifiziertes Personal sollte die in diesem Kapitel des Dokuments beschriebenen Aufgaben durchführen.



⁵ Die Bluetooth[®]-Wortmarke und -Logos sind eingetragene Marken der Bluetooth SIG, Inc. Jegliche Nutzung dieser Marken durch HACH erfolgt unter Lizenz.


5.1 Lithium-Akku-Sicherheit

⚠️ WARNUNG	
 	Brand- und Explosionsgefahr. Lithiumakkus können heiß werden, explodieren oder sich entzünden und schwere Verletzungen verursachen, wenn sie unsachgemäß verwendet werden.

- Verwenden Sie den Akku nicht, wenn er sichtbare Schäden aufweist.
- Verwenden Sie den Akku nicht nach starken Stößen oder Vibrationen.
- Halten Sie den Akku von Feuer oder Zündquellen fern.
- Sorgen Sie dafür, dass die Temperatur des Akkus 70 °C nicht übersteigt.
- Setzen Sie den Akku keiner Feuchtigkeit aus.
- Vermeiden Sie Kontakt zwischen den positiven und negativen Akkuklemmen.
- Lassen Sie nicht zu, dass nicht autorisierte Personen den Akku berühren.
- Akkus müssen entsprechend den lokalen, regionalen und nationalen Vorschriften entsorgt werden.
- Verwenden und lagern Sie das Gerät nicht bei direkter Sonneneinstrahlung, in der Nähe einer Wärmequelle oder in Umgebungen mit hohen Temperaturen, etwa einem geschlossenen Fahrzeug bei direkter Sonneneinstrahlung.

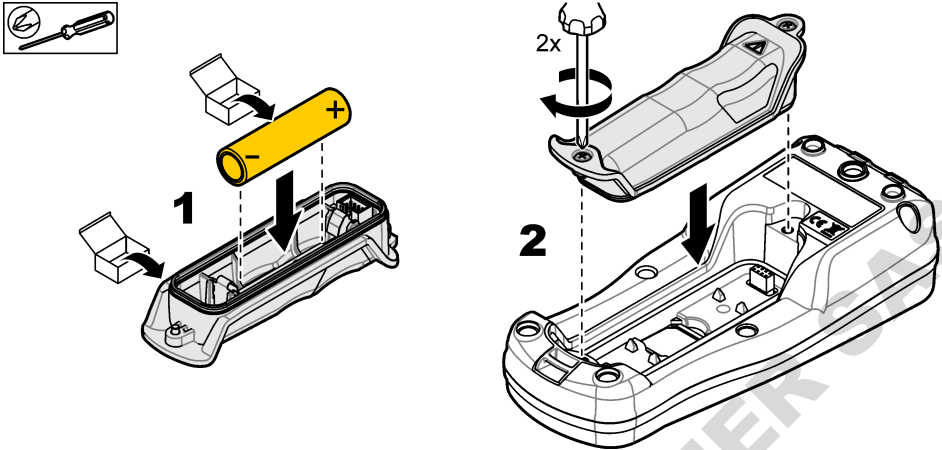
5.2 Einsetzen des Akkus

⚠️ WARNUNG	
 	Brand- und Explosionsgefahr. Diese Ausrüstung ist mit einer leistungsstarken Lithiumbatterie ausgestattet, die sich selbst im ausgeschalteten Zustand entzünden und einen Brand oder eine Explosion verursachen kann. Um die durch das Gerätegehäuse gewährleistete Sicherheit zu erhalten, müssen die Gehäusedeckel mit dem im Lieferumfang enthaltenen Werkzeug montiert und festgezogen werden.

⚠️ WARNUNG	
	Explosions- und Feuergefahr. Eine Substitution der Batterie ist unzulässig. Benutzen Sie nur Batterien, die vom Gerätehersteller geliefert werden.

Verwenden Sie nur den vom Hersteller mitgelieferten Lithium-Ionen-Akku. Anweisungen zum Einsetzen und Entfernen des Akkus finden Sie unter [Abbildung 3](#).

Abbildung 3 Einsetzen und Entfernen des Akkus



5.3 Aufladen des Akkus

▲ GEFAHR



Lebensgefahr durch Stromschlag. Wenn dieses Gerät im Freien oder an potenziell feuchten Standorten eingesetzt wird, muss eine Fehlerstrom-Schutzeinrichtung zum Anschluss an die Netzversorgung verwendet werden.

▲ WARNUNG



Brandgefahr. Die Eigenschaften des verwendeten Stromversorgungsnetzes müssen mit den Spezifikationen des Geräts übereinstimmen.

▲ WARNUNG



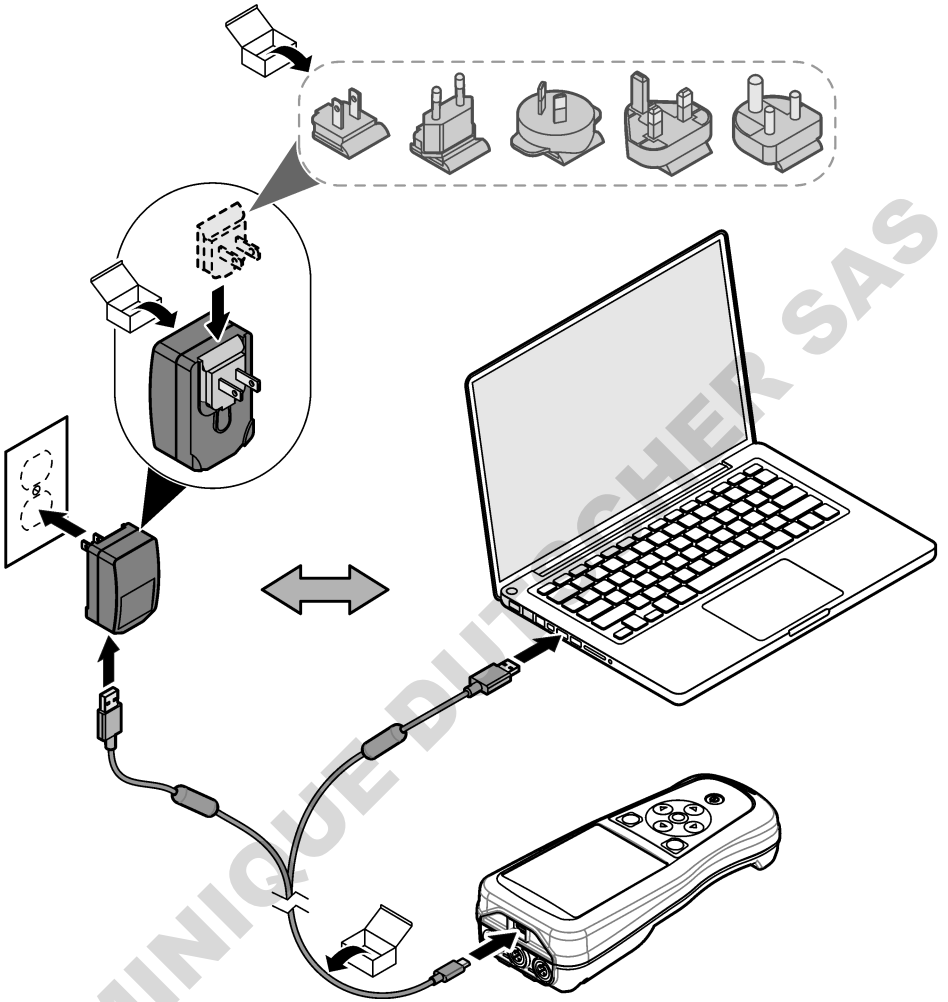
Stromschlaggefahr. Extern angeschlossene Geräte müssen über eine entsprechende Sicherheitsnormenbeurteilung des jeweiligen Landes verfügen.

ACHTUNG

Installieren Sie die Kappe für den USB-Anschluss nur, wenn der Anschluss nicht verwendet wird, um diesen sauber zu halten und Korrosion vorzubeugen. Laden Sie den Akku nicht, wenn der USB-Anschluss nass oder verschmutzt ist oder Korrosion entstanden ist. Siehe [Installieren der USB- und Sonden-Anschlusskappen](#) auf Seite 30.

Verwenden Sie das mitgelieferte USB-Kabel und den USB-Netzadapter oder einen PC, um den Akku aufzuladen. Siehe [Abbildung 4](#). Wenn das Gerät an die Stromversorgung angeschlossen und die Ein/Aus-Taste gedrückt wird, leuchtet die grüne LED-Anzeige. Der Benutzer kann das Gerät beim Aufladen des Akkus bedienen. Ein leerer Akku ist nach ca. 5 Stunden vollständig aufgeladen, wenn der USB-Netzadapter bei ausgeschaltetem Gerät verwendet wird. Stellen Sie sicher, dass Sie die Kappe für den USB-Anschluss nur installieren, wenn der USB-Anschluss nicht verwendet wird. Siehe [Installieren der USB- und Sonden-Anschlusskappen](#) auf Seite 30.

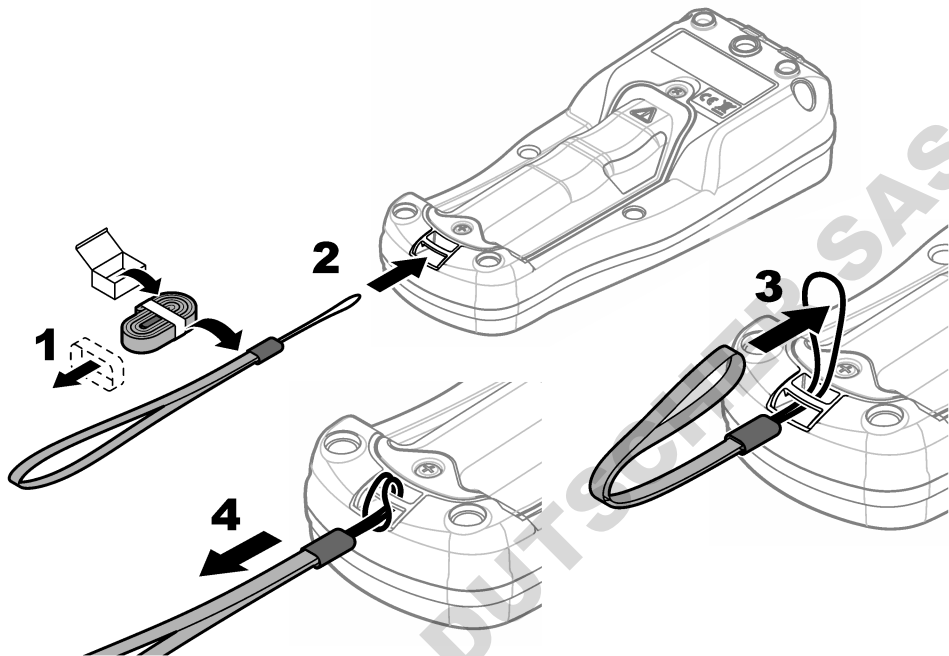
Abbildung 4 Anschließen an den USB-Netzadapter oder einen PC



5.4 Anbringen der Handschlaufe

Bringen Sie die Handschlaufe an, um das Messgerät sicher halten zu können. Siehe [Abbildung 5](#).

Abbildung 5 Anbringen der Handschlaufe



5.5 Installieren der USB- und Sonden-Anschlusskappen

Stellen Sie sicher, dass Sie die Anschlusskappen nur in den USB- bzw. Sondenanschluss einstecken, wenn die Anschlüsse nicht verwendet werden, um diese sauber zu halten und Korrosion vorzubeugen. Die Anschlusskappen müssen in die freien Anschlüsse gesteckt werden, um die Gehäuseschutzart des Geräts zu wahren. Siehe [Abbildung 6](#) und [Abbildung 7](#).

Hinweis: [Abbildung 6](#) zeigt ein Messgerät mit drei Sondenanschlüssen. Einige Messgerätemodelle verfügen nur über einen oder zwei Sondenanschlüsse.

Abbildung 6 Einstecken der Kappen für die Anschlüsse

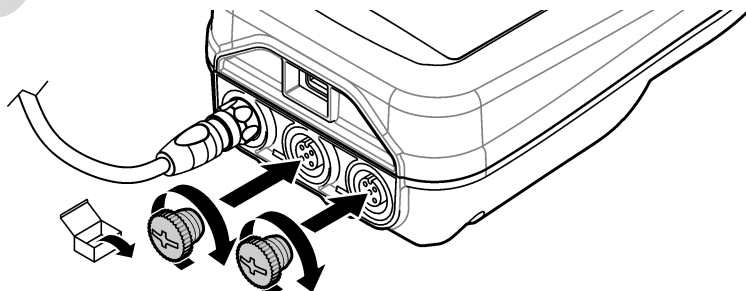
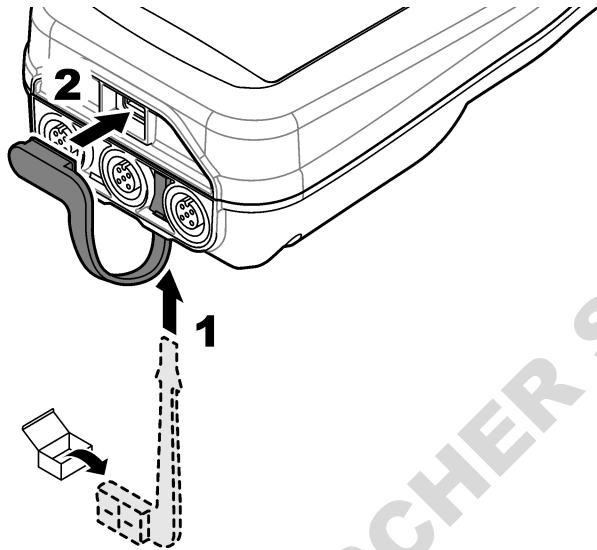



Abbildung 7 Einstecken der Kappe für den USB-Anschluss



Kapitel 6 Inbetriebnahme

6.1 Starten des Messgeräts

Drücken Sie auf , um das Messgerät zu starten. Falls das Messgerät nicht startet, stellen Sie sicher, dass der Akku richtig eingesetzt ist bzw. das Messgerät an eine Stromquelle angeschlossen ist. Siehe [Aufladen des Akkus](#) auf Seite 28.

6.2 Wählen der Sprache

Wenn das Messgerät zum ersten Mal eingeschaltet oder ein neuer Akku eingelegt wird, wird auf dem Display der Bildschirm für die Sprachauswahl angezeigt. Wählen Sie die gewünschte Sprache aus. Der Benutzer kann die Sprache auch über das Menü „Einstellungen“ ändern.

6.3 Einrichten von Datum und Uhrzeit

Wenn das Messgerät zum ersten Mal eingeschaltet oder ein neuer Akku eingelegt wird, wird auf dem Display der Bildschirm für die Auswahl von Datum und Uhrzeit angezeigt. Führen Sie die folgenden Schritte aus, um Datum und Uhrzeit festzulegen.

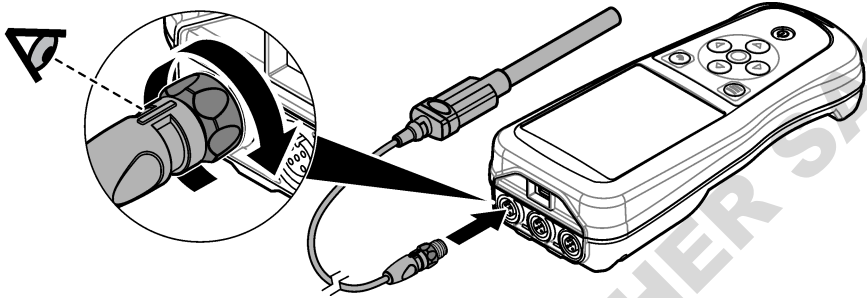
Hinweis: Der Benutzer kann das Datum und die Uhrzeit auch über das Menü „Einstellungen“ ändern.

1. Verwenden Sie die Aufwärts- und Abwärts-Pfeiltasten, um ein Datumsformat auszuwählen.
2. Drücken Sie den Rechtspfeil, um zu Datum und Uhrzeit zu wechseln.
3. Drücken Sie die Aufwärts- und Abwärts-Pfeiltasten, um Datum und Uhrzeit zu ändern.
4. Drücken Sie den Rechtspfeil, um Speichern zu markieren.
5. Wählen Sie Speichern aus, um die Einstellungen beizubehalten.

6.4 Anschließen einer Sonde

Stellen Sie die Uhrzeit und das Datum im Messgerät ein, bevor eine Sonde angeschlossen wird. Der Zeitstempel wird beim ersten Anschluss der Sonde an das Messgerät festgelegt. Der Zeitstempel ermöglicht die automatische Aufzeichnung einer Sondenhistorie und der Zeiten, zu denen Messungen erfolgt sind. Unter [Abbildung 8](#) finden Sie Informationen zum Anschließen einer Sonde an das Messgerät.

Abbildung 8 Anschließen einer Sonde an das Messgerät



Kapitel 7 Benutzeroberfläche und Navigation

Nach dem Starten wird der Startbildschirm angezeigt. Siehe [Startbildschirm](#) auf Seite 32. Über die Tastatur können Sie die verfügbaren Optionen auswählen und Werte ändern. Siehe [Tastatur](#) auf Seite 34. Über das Hauptmenü gelangen Sie zu den Einstellungen und anderen Menüs. Siehe [Hauptmenü](#) auf Seite 35.

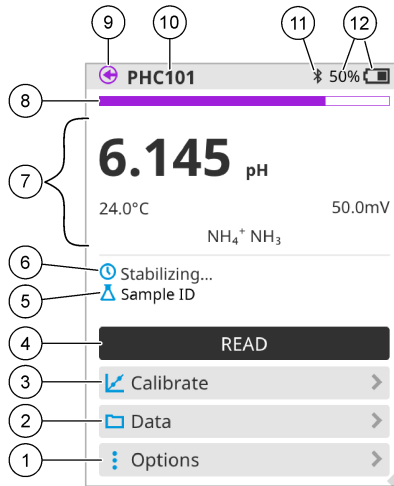
7.1 Startbildschirm

Das Display zeigt den Startbildschirm an, wenn das Messgerät eingeschaltet und eine Sonde an das Messgerät angeschlossen ist. Siehe [Abbildung 9](#). Die Modelle HQ4100, HQ4200 und HQ4300 verfügen über ein Farbdisplay. Bei Modellen mit zwei oder drei Sondenanschlüssen werden auf dem Bildschirm alle angeschlossenen Sonden angezeigt. Siehe [Abbildung 10](#).

Die folgenden Aufgaben sind auf dem Startbildschirm verfügbar:

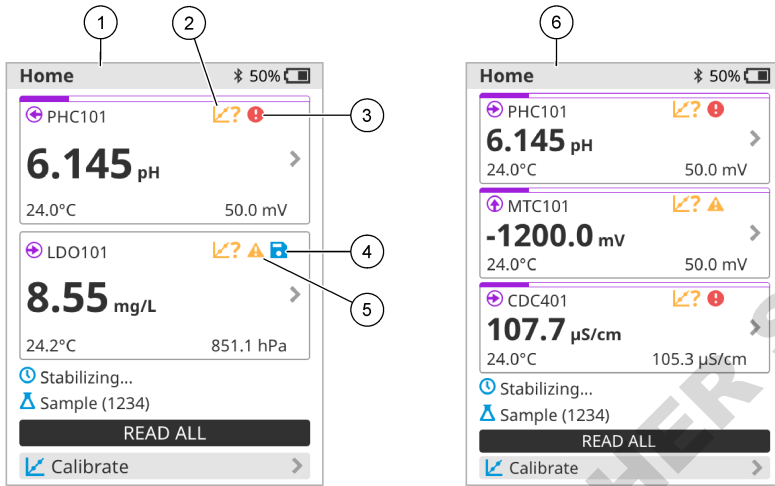
- Proben messen
- Sonde kalibrieren
- Kalibrierung prüfen
- Proben-IDs festlegen (Identifizierung)
- Daten anzeigen und verwalten
- Schritt-für-Schritt-Anweisungen anzeigen

Abbildung 9 Beispiel für den Startbildschirm: eine Sonde



1 Menü Optionen: Zugriff auf Anweisungen und weitere Menüs	7 Abschnitt für Messwerte: zeigt den Messwert, die Temperatur und die Einheiten an
2 Menü Daten: Zugriff auf Anzeige und Verwaltung von Daten	8 Statusanzeige für Messstabilität: zeigt den Status der Messung an
3 Schaltfläche Kalibrieren: startet eine Kalibrierung	9 Intellical Sondenanschluss: zeigt die Anschlussstelle der angeschlossenen Sonde an
4 Schaltfläche Ablesen: misst die Probe oder den Wert einer Standardlösung	10 Name der Intellical Sonde: zeigt den Modellnamen der angeschlossenen Sonde an
5 Proben-ID: zeigt den Namen der gemessenen Probe an	11 Bluetooth® Symbol (bei installiertem Hach Kommunikationsdongle): zeigt an, wenn eine Bluetooth-Verbindung aktiv ist
6 Bereich für Meldungen: zeigt den Messstatus, die Proben-ID, Fehler und Warnungen an	12 Akkuladeanzeige: zeigt den Prozentsatz der Akkuladung an

Abbildung 10 Beispiel für den Startbildschirm: zwei oder drei Sonden

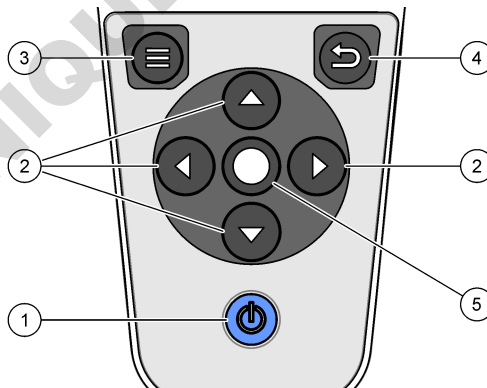


1 Startbildschirm mit zwei Sonden	4 Symbol „Speichern“: Das Datenprotokoll enthält Messdaten
2 Kalibriersymbol: zeigt an, dass die Kalibrierung nicht akzeptiert wurde oder abgelaufen ist	5 Warnsymbol (siehe Fehlerbehebung auf Seite 40)
3 Fehlersymbol (siehe Fehlerbehebung auf Seite 40)	6 Startbildschirm mit drei Sonden

7.2 Tastatur

Eine Beschreibung der Tastatur finden Sie unter [Abbildung 11](#).

Abbildung 11 Beschreibung der Tastatur



1 Ein-/Ausschalttaste	4 Zurück-Taste
2 Navigationspfeile	5 Auswahltaste
3 Menü-Taste	

7.3 Hauptmenü


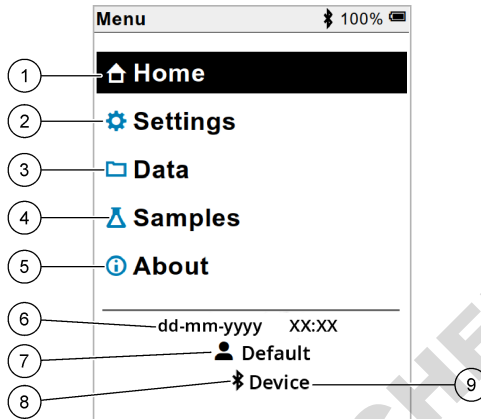
Drücken Sie , um zum Hauptmenü zurückzukehren. Siehe [Abbildung 12](#).

Abbildung 12 Beschreibung des Hauptmenüs



1 Startseite	4 Menü „Proben-ID“	7 Benutzer-ID
2 Menü Einstellungen	5 Bildschirm „Info zum Messgerät“	8 Bluetooth® Symbol (wenn HCD installiert ist)
3 Menü Daten	6 Datum und Uhrzeit	9 ID des Bluetooth® Geräts (wenn HCD installiert ist)

Kapitel 8 Betrieb

Dieser Abschnitt enthält allgemeine Bedienungsanweisungen für das Messgerät. Ausführlichere Anweisungen finden Sie in den Bildschirmanweisungen des Messgeräts oder im Benutzerhandbuch der Sonde.

8.1 Proben messen


Die folgenden Schritte sind allgemeine Schritte zum Messen von Proben mit dem Messgerät.

1. Wählen Sie den Messmodus aus. Siehe [Messgeräteeinstellungen](#) auf Seite 37.
2. Bereiten Sie die Probe für die Messung vor. Beachten Sie die Anweisungen auf dem Bildschirm des Messgeräts oder im Benutzerhandbuch der Sonde.
3. Messen Sie die Probe wie folgt:
 - Modus **Messung auf Tastendruck**: Wählen Sie Ablesen (oder Alles ablesen) aus, um den Probenwert zu messen. Das Messgerät speichert den Wert automatisch.
 - Modus **Intervall**: Wählen Sie „Start“ (oder „Alle starten“), um die Messungen zu starten. Das Messgerät misst und speichert den Probenwert automatisch in den festgelegten Zeitintervallen. Wählen Sie „Stopp“ (oder „Alle anhalten“), um die Messungen anzuhalten.
 - Modus **Kontinuierlich**: Das Messgerät misst den Probenwert kontinuierlich. Wählen Sie Speichern (oder „Alles speichern“), um den auf dem Bildschirm angezeigten Wert zu speichern.

Nach jeder Messung wird das Ergebnis auf dem Display angezeigt. Wenn das Ergebnis im Datenprotokoll gespeichert wird, wird das Speichersymbol auf dem Display angezeigt.

8.2 Sonde kalibrieren


Die folgenden Schritte sind allgemeine Schritte zur Sondenkalibrierung mit dem Messgerät. Informationen zum Ändern der Kalibriereinstellungen finden Sie unter [Sondeneinstellungen](#) auf Seite 38.

1. Wählen Sie auf dem Startbildschirm  Kalibrieren aus. Wenn mehr als eine Sonde angeschlossen ist, wählen Sie die zu kalibrierende Sonde aus. Das Display zeigt die Lösung(en) an, die für die Kalibrierung verwendet werden soll(en).
2. Bereiten Sie die Puffer oder Standardlösungen für die Kalibrierung vor. Befolgen Sie die Anweisungen auf dem Bildschirm des Messgeräts oder im Benutzerhandbuch der Sonde.
3. Wählen Sie Ablesen aus, um die Kalibrierung zu starten. Das Messgerät misst den Wert der Kalibrierlösung. Nach Abschluss der Messung werden die Ergebnisse auf dem Display angezeigt.
4. Wählen Sie Ablesen aus, um ggf. die Werte der anderen Puffer oder Standardlösungen zu messen. Wählen Sie Speichern, um die Kalibrierung zu speichern.

Hinweis: Wenn die Kalibrierung nicht akzeptiert wird, lesen Sie die Anweisungen zur Fehlerbehebung auf dem Bildschirm des Messgeräts oder im Benutzerhandbuch der Sonde.

8.3 Prüfen der Kalibrierung


Die folgenden Schritte sind allgemeine Schritte zur Prüfung einer Kalibrierung mit dem Messgerät. Informationen zum Ändern der Prüfeinstellungen finden Sie unter [Sondeneinstellungen](#) auf Seite 38.

1. Wählen Sie auf dem Startbildschirm Optionen > Kalibrierung verifizieren. Das Display zeigt den Puffer oder die Standardlösung an, der/die für die Prüfung verwendet werden soll.
2. Bereiten Sie den Puffer oder die Standardlösung für die Prüfung vor. Befolgen Sie die Anweisungen auf dem Bildschirm des Messgeräts oder im Benutzerhandbuch der Sonde.
3. Wählen Sie Ablesen aus, um die Prüfung zu starten. Das Messgerät misst den Wert der Prüflösung. Nach Abschluss der Messung werden die Ergebnisse auf dem Display angezeigt.
4. Wenn die Prüfung erfolgreich  ist, wählen Sie Speichern, um das Ergebnis zu speichern.

Hinweis: Wenn die Prüfung nicht akzeptiert wird, lesen Sie die Anweisungen zur Fehlerbehebung auf dem Bildschirm des Messgeräts oder im Benutzerhandbuch der Sonde.

8.4 Einbeziehen der Proben-ID in die Messdaten


Das Gerät kann einen Probennamen (ID) mit den gespeicherten Messdaten speichern. Geben Sie mehrere Probennamen in das Gerät ein, und wählen Sie anschließend vor der Probenmessung den gewünschten Probennamen aus. Das Gerät fügt Proben mit demselben Namen Nummern hinzu, z.B. „Probenname (2)“.

1. Drücken Sie , und wählen Sie Proben aus.
2. Wählen Sie eine Option aus.

Option	Beschreibung
Probe	Wählt den Probennamen aus, der mit den Probenmessungen gespeichert werden soll.
Neue Probe erstellen	Öffnet einen Bildschirm zum Hinzufügen neuer Probennamen. Probennamen können Buchstaben und Ziffern enthalten.
Proben löschen	Entfernt Probennamen.

8.5 Einbeziehen der Benutzer-ID in gespeicherte Daten

Das Gerät kann einen Benutzernamen (ID) mit den gespeicherten Daten aufzeichnen. Geben Sie mehrere Benutzernamen in das Gerät ein, und wählen Sie anschließend vor Beginn der Kalibrierung oder Messung den gewünschten Benutzernamen aus.


1. Drücken Sie , und wählen Sie Einstellungen aus. Die Liste der Einstellungen wird angezeigt.
2. Wählen Sie Benutzer aus.
3. Wählen Sie eine Option aus.

Option	Beschreibung
Anwender	Wählt den Benutzernamen aus. Der ausgewählte Benutzername wird im Hauptmenü angezeigt und wird mit den gespeicherten Daten gespeichert.
Neuen Benutzer erstellen	Öffnet einen Bildschirm zum Hinzufügen neuer Benutzernamen. Benutzernamen können Buchstaben und Ziffern enthalten.
Benutzer löschen	Entfernt Benutzernamen.

Kapitel 9 Messgeräteeinstellungen

Führen Sie die folgenden Schritte aus, um die allgemeinen Einstellungen für das Messgerät zu ändern.

Hinweis: Kennwortschutz kann den Zugriff auf einige Menüs verhindern. Informationen zur Zugriffskontrolle finden Sie im Online-Benutzerhandbuch.

1. Drücken Sie , und wählen Sie Einstellungen aus. Die Liste der Einstellungen wird angezeigt.
2. Wählen Sie eine Option aus.


Option	Beschreibung
[Sondename]	Ändert die sondenspezifischen Einstellungen für Messungen, Kalibrierung und Prüfung. Unter Sondeneinstellungen auf Seite 38 finden Sie Informationen zum Ändern der Einstellungen für die angeschlossene Sonde.
Messmodus	Legt fest, wann Messungen gestartet werden. Optionen: Zum Ablesen drücken, Kontinuierlich oder Intervall. Zum Ablesen drücken: Die Probe wird nur gemessen, wenn auf Ablesen gedrückt wird. Wenn die Stabilitätskriterien erfüllt sind, werden die Daten automatisch im Datenprotokoll gespeichert. Intervall: Die Probe wird über die angegebene Dauer regelmäßig gemessen. Daten werden automatisch im Datenspeicher gespeichert. Kontinuierlich: Das Messgerät misst den Probenwert kontinuierlich. Daten werden nur dann im Datenprotokoll gespeichert, wenn der Benutzer Speichern auswählt.
Temperatur	Legt die Temperatureinheit auf °C oder °F fest.
Anzeige	Ändert die Einstellungen für die Anzeige. Optionen: Helligkeit, Hintergrundbeleuchtung und Herunterfahren. Helligkeit: Ändert die Intensität der Hintergrundbeleuchtung. Optionen: 10 bis 100 % (Standardeinstellung: 50 %). Hintergrundbeleuchtung: Schaltet die Hintergrundbeleuchtung aus, wenn das Messgerät für eine bestimmte Zeit nicht verwendet wird. Optionen: 15 Sekunden, 30 Sekunden, 1 Minute, 5 Minuten oder Nie. Herunterfahren: Schaltet das Messgerät aus, wenn das Messgerät für eine bestimmte Zeit nicht verwendet wird. Optionen: 1 Minute, 2 Minuten, 5 Minuten, 10 Minuten, 30 Minuten, 1 Stunde, 2 Stunden oder Nie.
Ton	Stellt das Messgerät so ein, dass bei Tastendrücken oder Benachrichtigungen ein Ton ausgegeben wird. Optionen: Taste betätigt, Stabilitätswarnung, Erinnerung, Fehler/Warnhinweis oder (Akku) Vollständig aufgeladen.
Benutzer	Wählt einen Benutzer aus, fügt einen neuen Benutzer hinzu oder löscht einen Benutzer.

Option	Beschreibung
Datum-Uhrzeit	Legt das Datums-/Uhrzeitformat, das Datum und die Uhrzeit im Messgerät fest.
Sprache	Legt die Sprache des Messgeräts fest.
Zugriff	Legt ein Kennwort fest, um den Zugriff auf die Sondeneinstellungen, einige Messgeräteeinstellungen (Messmodus, Temperatur, Sprache) und Softwareupdates zu verhindern. Ein Benutzer ohne Kennwort kann Einstellungen oder Daten nicht löschen, wenn die Zugriffssteuerung aktiviert ist.
Diagnose	Erstellt eine Diagnosedatei für technischen Support oder Service, wenn ein technisches Problem auftritt. Der Benutzer muss das Messgerät an einen PC anschließen, um die Datei zu erhalten.

Kapitel 10 Sondeneinstellungen

Wenn eine Sonde an das Messgerät angeschlossen wird, kann der Benutzer die Einstellungen für Messungen, Kalibrierungen und Prüfungen ändern. Beachten Sie die folgenden Schritte, um auf die Einstellungen für die angeschlossene Sonde zuzugreifen. Eine ausführlichere Beschreibung der Einstellungen finden Sie im Online-Benutzerhandbuch des Messgeräts.

Hinweis: Kennwortschutz kann den Zugriff auf einige Menüs verhindern. Weitere Informationen zu den Sicherheitseinstellungen finden Sie im Online-Benutzerhandbuch.


1. Drücken Sie , und wählen Sie Einstellungen aus. Die Liste der Einstellungen wird angezeigt.
2. Wählen Sie den Sondennamen aus.
3. Wählen Sie die entsprechende Option aus: Messung, Kalibrierung oder Verifizierung.

Kapitel 11 Datenmanagement

Das Messgerät speichert die Daten aus Probenmessungen, Kalibrierungen und Prüfungen wie folgt:

- Probenmessungen: Wenn der Messmodus „Messung auf Tastendruck“ oder „Intervall“ eingestellt ist, speichert das Messgerät die gemessenen Proben Daten automatisch. Wenn der Messmodus „Kontinuierlich“ eingestellt ist, muss der Benutzer „Speichern“ wählen, um die gemessenen Proben Daten zu speichern. Das Speichersymbol wird auf dem Startbildschirm angezeigt, wenn die gemessenen Proben Daten im Datenprotokoll enthalten sind.
- Kalibrierdaten: Der Benutzer muss „Speichern“ auswählen, um die Kalibrierdaten zu speichern. Die Kalibrierdaten werden im Messgerät und in der Intellical Sonde gespeichert.
- Prüfungsdaten: Der Benutzer muss „Speichern“ auswählen, um die Prüfungsdaten zu speichern.


Führen Sie die folgenden Schritte aus, um Daten anzuzeigen, zu exportieren oder zu löschen.

1. Drücken Sie , und wählen Sie Daten aus, oder wählen Sie auf dem Startbildschirm Daten aus.
2. Wählen Sie eine Option aus.

Option	Beschreibung
Daten anzeigen	<p>Zeigt die Daten im Datenprotokoll an. Die aktuellen Daten werden zuerst angezeigt. Drücken Sie den Abwärtspfeil, um weitere Daten anzuzeigen. Das Kalibriersymbol wird beim Datentyp „Kalibrierdaten“ angezeigt. Das Prüfungssymbol wird beim Datentyp „Prüfungsdaten“ angezeigt.</p> <p>Um weitere Details für einen Datenpunkt anzuzeigen, wählen Sie eine Datenzeile aus, und drücken Sie den Rechtspfeil. Um einen Filter anzuwenden und nur die gefilterten Daten anzuzeigen, drücken Sie den Linkspfeil, und wählen Sie einen Parameter, Datentyp oder Datumbereich aus.</p>

Option	Beschreibung
Daten exportieren	<p>Sendet eine Kopie aller Daten im Datenprotokoll an einen angeschlossenen PC oder ein USB-Speichergerät. Informationen zum Anschließen des Geräts an einen PC finden Sie in Abbildung 4 auf Seite 29. Um das Gerät an ein Standard-USB-Speichergerät anzuschließen, verwenden Sie einen Micro-USB-auf-USB-Adapter vom Typ A. Alternativ können Sie auch ein USB-Speichergerät mit einem Micro-USB-Anschluss verwenden.</p> <p>Wenn das Gerät eine Verbindung zu einem PC herstellt, wird ein Datei-Explorer-Fenster zu einem Laufwerk mit dem Namen „HQ-Series“ geöffnet. Erweitern Sie das Laufwerk, und suchen Sie den Unterordner mit dem Namen und der Seriennummer des Messgeräts. Die Datei wird als .csv-Datei mit dem Datum und der Uhrzeit als Dateiname angezeigt. Speichern Sie die .csv-Datei am gewünschten Speicherort im PC.</p> <p>Hinweis: Wenn das Datei-Explorer-Fenster nicht automatisch geöffnet wird, öffnen Sie ein Datei-Explorer-Fenster, und suchen Sie nach einem Laufwerk mit dem Namen „HQ-Series“.</p>
Kalibrierverlauf	Zeigt die aktuellen und vorherigen Kalibrierdaten für eine angeschlossene Sonde an.
Daten löschen	Löscht alle Daten im Datenprotokoll. Kennwortschutz kann den Zugriff auf das Löschen von Daten verhindern.

Kapitel 12 Wartung

⚠ VORSICHT	
	Mehrere Gefahren. Nur qualifiziertes Personal sollte die in diesem Kapitel des Dokuments beschriebenen Aufgaben durchführen.

12.1 Reinigung des Geräts

Reinigen Sie das Gerät außen mit einem feuchten Tuch und wischen Sie das Gerät anschließend nach Bedarf trocken.

12.2 Auswechseln des Akkus

Tauschen Sie den Akku aus, wenn er sich nicht aufladen lässt oder sich zu schnell entlädt. Verwenden Sie nur den vom Hersteller gelieferten Akku und das entsprechende Ladegerät. Siehe [Einsetzen des Akkus](#) auf Seite 27.



12.3 Vorbereitung für den Versand

Das Gerät enthält einen Lithium-Ionen-Akku, der als Gefahrgut eingestuft wird und den Gefahrgutvorschriften für alle Transportarten entsprechen muss. Wenn Sie das Gerät zur Reparatur oder Wartung einsenden, gehen Sie folgendermaßen vor:

- Trennen Sie die Anschlüsse der Sonden vor dem Versand.
- Reinigen und desinfizieren Sie das Gerät vor dem Versand.
- Entfernen Sie aus Sicherheitsgründen den Lithium-Ionen-Akku aus dem Gerät, und versenden Sie ihn nicht mit. Wenn der Akku mitgesendet werden muss, lassen Sie ihn im Akkufach installiert, aber schließen Sie das Akkufach nicht am Gerät an. Legen Sie das Akkugehäuse mit installiertem Akku in eine separate Verpackung, um den Kontakt mit elektrisch leitfähigen Materialien (z.B. Metallen) zu verhindern.
- Verschicken Sie das Gerät in der Originalverpackung oder in einer anderen schützenden Verpackung.

Kapitel 13 Fehlerbehebung

13.1 Befolgen Sie die Anweisungen zur Fehlerbehebung auf dem Bildschirm

Auf der Benutzeroberfläche finden Sie Anweisungen zur Fehlerbehebung, um Probleme, die bei Messungen, Kalibrierungen und Prüfungen auftreten können, zu beheben. Wenn ein Problem auftritt, zeigt das Display das Fehlersymbol  oder das Warnsymbol  mit einer kurzen Beschreibung des Problems an. Drücken Sie den Rechtspfeil, um die empfohlenen Verfahren zur Behebung des Problems anzuzeigen.

Kapitel 14 Ersatzteile

WARNUNG



Verletzungsgefahr. Die Verwendung nicht zugelassener Teile kann zur Verletzung von Personen, zu Schäden am Messgerät oder zu Fehlfunktionen der Ausrüstung führen. Die Ersatzteile in diesem Abschnitt sind vom Hersteller zugelassen.

Hinweis: Produkt- und Artikelnummern können für einige Verkaufsgebiete abweichen. Wenden Sie sich an die zuständige Vertriebsgesellschaft oder an die auf der Webseite des Unternehmens aufgeführten Kontaktinformationen.

Ersatzteile

Beschreibung	Artikelnr.
Lithium-Ionen-Akku, 18650, 3200 mAh, Englisch	LEZ015.99.00001
Lithium-Ionen-Akku, 18650, 3100 mAh, Chinesisch	LEZ015.80.00001
Kabel, USB 2.0-Stecker Typ A auf Micro-Stecker Typ B, 0,91 m	LEZ015.99.00002
Feldkoffer für Standardsonden	LEZ015.99.A001A
Feldkoffer für robuste Sonden	LEZ015.99.A002A
Handschlaufe und Staubschutzkappen	LEZ015.99.A005A
Ständer mit Handschlaufe	LEZ015.99.A003A
Schutzhandschuh	LEZ015.99.A004A
USB-Netzadapter, 5 VDC, 2 A, 100 - 240 VAC, USA	LEZ015.99.00006
USB-Netzadapter, 5 VDC, 2 A, 100 - 240 VAC, EU + UK	LEZ015.99.00004
USB-Netzadapter, 5 VDC, 2 A, 100 - 240 VAC, China	LEZ015.99.00005
USB-Netzadapter, 5 VDC, 2 A, 100 - 240 VAC, übrige Welt	LEZ015.99.00007

Sommario

- | | |
|--|---|
| 1 Manuale dell'utente online a pagina 41 | 8 Funzionamento a pagina 54 |
| 2 Panoramica del prodotto a pagina 41 | 9 Impostazioni del misuratore a pagina 56 |
| 3 Specifiche tecniche a pagina 42 | 10 Impostazioni sonda a pagina 57 |
| 4 Informazioni generali a pagina 43 | 11 Gestione dei dati a pagina 57 |
| 5 Installazione a pagina 45 | 12 Manutenzione a pagina 58 |
| 6 Avviamento a pagina 50 | 13 Risoluzione dei problemi a pagina 58 |
| 7 Interfaccia utente e navigazione a pagina 51 | 14 Parti di ricambio a pagina 59 |

Sezione 1 Manuale dell'utente online

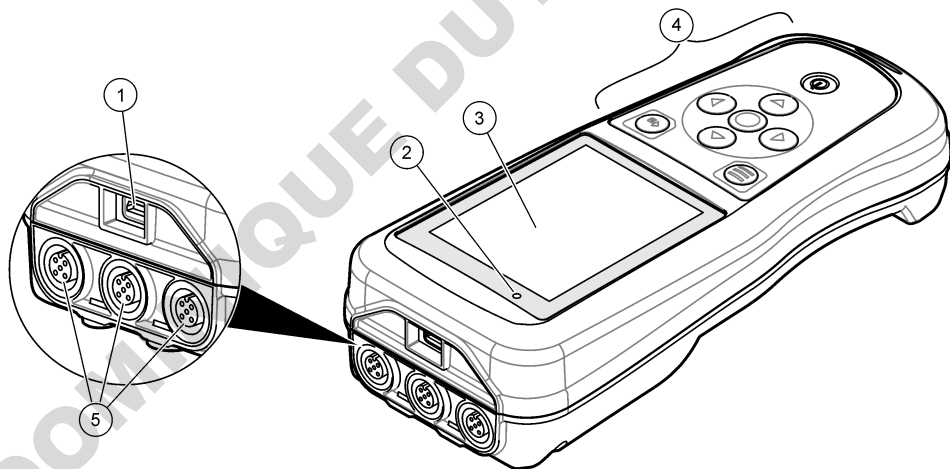
Il presente Manuale di base per l'utente contiene meno informazioni rispetto al Manuale dell'utente, disponibile sul sito Web del produttore.

Sezione 2 Panoramica del prodotto

I misuratori portatili serie HQ sono utilizzati con le sonde digitali Intellical per misurare uno o più parametri di qualità dell'acqua. Fare riferimento a [Figura 1](#). Il misuratore riconosce automaticamente il tipo di sonda collegata. Il misuratore può essere collegato a un PC o a un dispositivo di memoria USB per il trasferimento dei dati salvati nel misuratore. La chiavetta di comunicazione Hach (HCD) opzionale collega il misuratore a Claros.

I misuratori portatili serie HQ sono disponibili in otto modelli. La [Tabella 1](#) mostra i tipi di sonde che possono essere collegate a ciascun modello.

Figura 1 Panoramica del prodotto



1 Connettore Micro USB	4 Tastiera
2 Spia a LED	5 Porte per sonda Intellical: (in figura è illustrata l'opzione con tre porte per sonda)
3 Display	

Tabella 1 Modelli di misuratori serie HQ

Modello di misuratore	Connettori sonda	Sonde pH/mV/ORP ¹	Sonde LDO/LBOD ²	Sonde di conducibilità ³	Sonde ISE ⁴
HQ1110	1	✓			
HQ1130	1		✓		
HQ1140	1			✓	
HQ2100	1	✓	✓	✓	
HQ2200	2	✓	✓	✓	
HQ4100	1	✓	✓	✓	✓
HQ4200	2	✓	✓	✓	✓
HQ4300	3	✓	✓	✓	✓

Sezione 3 Specifiche tecniche

Le specifiche tecniche sono soggette a modifica senza preavviso.

Specifica tecnica	Dettagli
Dimensioni (L x P x A)	22 x 9,7 x 6,3 cm (8,7 x 3,8 x 2,5 pollici)
Peso	HQ1110, HQ1130, HQ1140 e HQ2100: 519 g (18,3 oz); HQ2200: 541 g (19,1 oz); HQ4100: 530 g (18,7 oz); HQ4200: 550 g (19,4 oz); HQ4300: 570 g (20,1 oz)
Classe involucro	IP67 con vano batteria installato
Requisiti di alimentazione (interna)	Batteria ricaricabile agli ioni di litio 18650 (18 mm di diametro x 65 mm di lunghezza, cilindrica), 3,7 VCC, 3200 mAh; durata della batteria: > 1 settimana con uso tipico (10 letture/giorno, 5 giorni/settimana in modalità Continua o Premi per leggere o > 24 ore in modalità Intervallo impostata su 5 minuti e timer di spegnimento ≤ 15 minuti)
Requisiti di alimentazione (esterna)	Adattatore di alimentazione USB Classe II: 100–240 VCA, ingresso 50/60 Hz; 5 VCC con uscita adattatore di alimentazione USB da 2 A
Classe di protezione del misuratore	IEC Classe III (con alimentazione separata/a bassissima tensione di sicurezza o SELV (Separated/Safety Extra-Low Voltage)); adattatore di alimentatore USB conforme a IEC Classe II (con doppio isolamento)
Temperatura di esercizio	Da 0 a 60 °C (da 32 a 140 °F)
Temperatura di ricarica	Da 10 a 40 °C (da 50 a 104 °F)
Umidità di esercizio	90% (senza condensa)
Temperatura di stoccaggio	Da -20 a 60 °C (da -4 a 140 °F), umidità relativa massimo 90% (senza condensa)
Connettore sonda	Connettore M12 a 5 pin per sonde Intellical
Connettore Micro USB	Il connettore Micro USB permette il collegamento al cavo USB e all'adattatore di alimentazione USB.
Registro dati (interno)	Serie HQ1000: 5000 punti dati; serie HQ2000: 10.000 punti dati; serie HQ4000: 100.000 punti dati

¹ Le sonde pH/mV/ORP includono la temperatura

² Le sonde LDO/LBOD includono la temperatura

³ Le sonde di conducibilità includono salinità, TDS (solidi disciolti totali), resistività, temperatura

⁴ Sonde ionoselettive come ammoniaca, nitrato, cloruro, fluoruro, sodio

Specifica tecnica	Dettagli
Archiviazione dati	Memorizzazione automatica nelle modalità Premi per leggere e Intervallo. Memorizzazione manuale in modalità Continua.
Esportazione dati	Collegamento USB a PC o dispositivo di memoria USB (limitato alla capacità del dispositivo di memoria)
Correzione temperatura	Disattivata, automatica e manuale (in base ai parametri)
Certificazioni	CE, UKCA, FCC, ISED, RCM, KC, ETL verificati: efficienza energetica US DOE/NRCan, RoHS
Garanzia	Serie HQ1000 e HQ2000: 1 anno (USA), 2 anni (UE); serie HQ4000: 3 anni (USA), 3 anni (UE)

Sezione 4 Informazioni generali

In nessun caso il produttore sarà responsabile per danni derivanti da un uso improprio del prodotto o dalla mancata osservanza delle istruzioni contenute nel manuale. Il produttore si riserva il diritto di apportare eventuali modifiche al presente manuale e ai prodotti ivi descritti in qualsiasi momento senza alcuna notifica o obbligo preventivi. Le edizioni riviste sono presenti nel sito Web del produttore.

4.1 Informazioni sulla sicurezza

Il produttore non sarà da ritenersi responsabile in caso di danni causati dall'applicazione errata o dall'uso errato di questo prodotto inclusi, a puro titolo esemplificativo e non limitativo, i danni diretti, incidentali e consequenziali; inoltre declina qualsiasi responsabilità per tali danni entro i limiti previsti dalle leggi vigenti. La responsabilità relativa all'identificazione dei rischi critici dell'applicazione e all'installazione di meccanismi appropriati per proteggere le attività in caso di eventuale malfunzionamento dell'apparecchiatura compete unicamente all'utilizzatore.

Prima di disimballare, installare o utilizzare l'apparecchio, si prega di leggere l'intero manuale. Si raccomanda di leggere con attenzione e rispettare le istruzioni riguardanti note di pericolosità. La non osservanza di tali indicazioni potrebbe comportare lesioni gravi all'operatore o danni all'apparecchio.

Assicurarsi che i dispositivi di sicurezza insiti nell'apparecchio siano efficaci all'atto della messa in servizio e durante l'utilizzo dello stesso. Non utilizzare o installare questa apparecchiatura in modo diverso da quanto specificato nel presente manuale.

4.2 Indicazioni e significato dei segnali di pericolo

▲ PERICOLO

Indica una situazione di pericolo potenziale o imminente che, se non evitata, causa lesioni gravi anche mortali.

▲ AVVERTENZA

Indica una situazione di pericolo potenziale o imminente che, se non evitata, potrebbe comportare lesioni gravi, anche mortali.

▲ ATTENZIONE

Indica una situazione di pericolo potenziale che potrebbe comportare lesioni lievi o moderate.

AVVISO

Indica una situazione che, se non evitata, può danneggiare lo strumento. Informazioni che richiedono particolare attenzione da parte dell'utente.

4.3 Etichette di avvertimento

Leggere tutte le etichette presenti sullo strumento. La mancata osservanza delle stesse può causare lesioni personali o danni allo strumento. Un simbolo sullo strumento è indicato nel manuale unitamente a una frase di avvertenza.

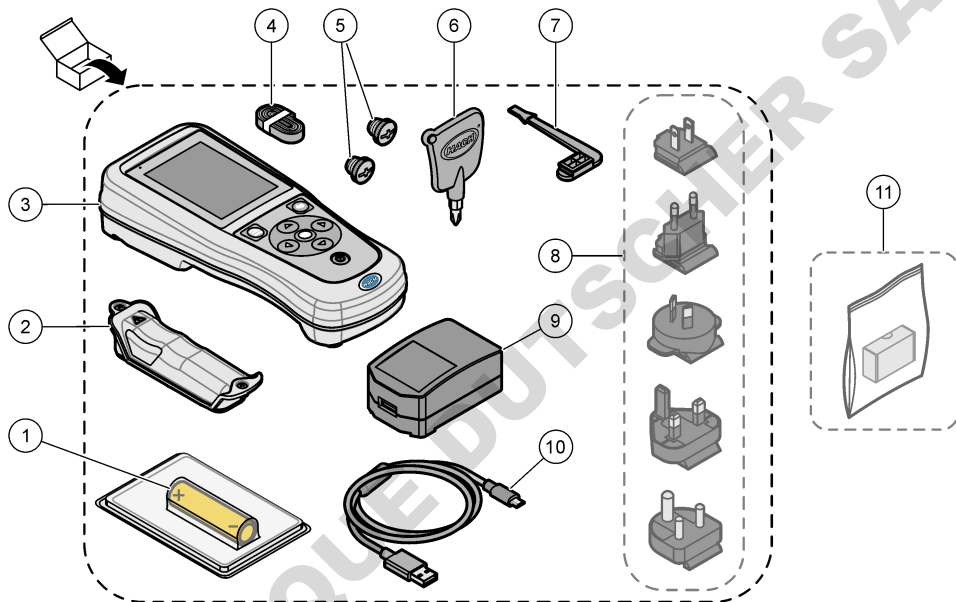


Le apparecchiature elettriche contrassegnate con questo simbolo non possono essere smaltite attraverso sistemi domestici o pubblici europei. Restituire le vecchie apparecchiature al produttore il quale si occuperà gratuitamente del loro smaltimento.

4.4 Componenti del prodotto

Accertarsi che tutte le parti oggetto della fornitura siano state ricevute. Fare riferimento a [Figura 2](#). In caso di componenti mancanti o danneggiati, contattare immediatamente il produttore o il rappresentante.

Figura 2 Componenti del prodotto



1	Batteria ricaricabile agli ioni di litio	7	Cappuccio per porte USB
2	Vano batteria	8	Adattatori di alimentazione opzionali
3	Misuratore	9	Adattatore di alimentazione USB
4	Cordoncino per trasporto	10	Cavo USB, tipo A/micro, 1 m (3,3 piedi)
5	Cappucci per connettori sonda	11	Chiavetta di comunicazione Hach (HCD) opzionale
6	Cacciavite a croce (Phillips n. 1)		

4.5 Certificazioni

Normativa canadese sulle apparecchiature che causano interferenze radio ICES-003, Classe B:

Le registrazioni dei test di supporto sono disponibili presso il produttore.

Questa apparecchiatura digitale di Classe B soddisfa tutti i requisiti di cui alla normativa canadese sulle apparecchiature che causano interferenze.

FCC Parte 15, Limiti Classe "B"

Le registrazioni dei test di supporto sono disponibili presso il produttore. Il presente dispositivo è conforme alla Parte 15 della normativa FCC. Il funzionamento è soggetto alle seguenti condizioni:

1. L'apparecchiatura potrebbe non causare interferenze dannose.
2. L'apparecchiatura deve tollerare tutte le interferenze subite, comprese quelle causate da funzionamenti inopportuni.

Modifiche o cambiamenti eseguiti su questa unità senza previa approvazione da parte dell'ente responsabile della conformità potrebbero annullare il diritto di utilizzare l'apparecchiatura. Questo apparecchio è stato testato ed è conforme ai limiti previsti per un dispositivo digitale di Classe B, secondo quanto indicato nella Parte 15 delle norme FCC. I suddetti limiti sono stati fissati in modo da garantire una protezione adeguata nei confronti di interferenze nocive se si utilizza l'apparecchiatura in ambiti commerciali. L'apparecchiatura produce, utilizza e può irradiare energia a radiofrequenza e, se non installata e utilizzata in accordo a quanto riportato nel manuale delle istruzioni, potrebbe causare interferenze dannose per le radiocomunicazioni. L'utilizzo di questa apparecchiatura in una zona residenziale potrebbe causare interferenze dannose. In questo caso, l'utente sarà tenuto a risolvere il problema a proprie spese. Per ridurre i problemi di interferenza, è possibile utilizzare le seguenti tecniche:

1. Allontanare l'apparecchiatura dal dispositivo che riceve l'interferenza.
2. Riposizionare l'antenna ricevente del dispositivo che riceve l'interferenza.
3. Provare una combinazione dei suggerimenti sopra riportati.

4.6 Chiavetta di comunicazione Hach (opzionale)

La chiavetta di comunicazione Hach (HCD) opzionale utilizza la tecnologia Bluetooth^{®5} Low Energy per comunicare con Claros. Seguire tutte le indicazioni e le avvertenze del produttore per installare e utilizzare il dispositivo. Consultare la documentazione fornita con l'HCD.

4.7 Destinazione d'uso

⚠ ATTENZIONE



Pericolo di esposizione ad agenti chimici. Rispettare le procedure di sicurezza del laboratorio e indossare tutte le apparecchiature protettive appropriate per le sostanze chimiche utilizzate. Fare riferimento alle attuali schede di sicurezza (MSDS/SDS) per i protocolli di sicurezza.

I misuratori portatili serie HQ sono progettati per la misurazione dei parametri di qualità dell'acqua da parte di tecnici di laboratorio o sul campo. I misuratori serie HQ non trattano né alterano l'acqua.

Sezione 5 Installazione

⚠ PERICOLO



Pericoli multipli. Gli interventi descritti in questa sezione del documento devono essere eseguiti solo da personale qualificato.

5.1 Informazioni di sicurezza sulle batterie al litio

⚠ AVVERTENZA



Pericolo di esplosione e di incendio. Se utilizzate in modo non appropriato le batterie al litio possono surriscaldarsi, esplodere o prendere fuoco e causare gravi lesioni.

⁵ Il marchio e i loghi Bluetooth[®] sono marchi registrati di proprietà di Bluetooth SIG, Inc. e il loro utilizzo è concesso in licenza ad HACH.

- Non utilizzare la batteria in caso di danni visibili.
- Non utilizzare la batteria se ha subito forti urti o in caso di vibrazioni.
- Non esporre la batteria a fiamme o fuoco.
- Mantenere la batteria a temperature inferiori a 70 °C (158 °F).
- Tenere la batteria asciutta e lontana dall'acqua.
- Evitare il contatto tra i terminali positivo e negativo.
- Non consentire al personale non autorizzato di toccare la batteria.
- Smaltire la batteria conformemente alle normative locali, regionali e nazionali.
- Non utilizzare o conservare lo strumento alla luce diretta del sole, vicino a una fonte di calore o in ambienti ad alta temperatura come ad esempio un veicolo chiuso ed esposto alla luce diretta del sole.

5.2 Installazione della batteria

▲ AVVERTENZA



Pericolo di esplosione e di incendio. Questa apparecchiatura contiene una batteria al litio ad alta potenza che potrebbe surriscaldarsi e causare incendi o esplosioni anche se non completamente carica. Per mantenere la sicurezza fornita dall'alloggiamento, i coperchi dell'alloggiamento dello strumento devono essere installati e fissati con la bulloneria in dotazione.

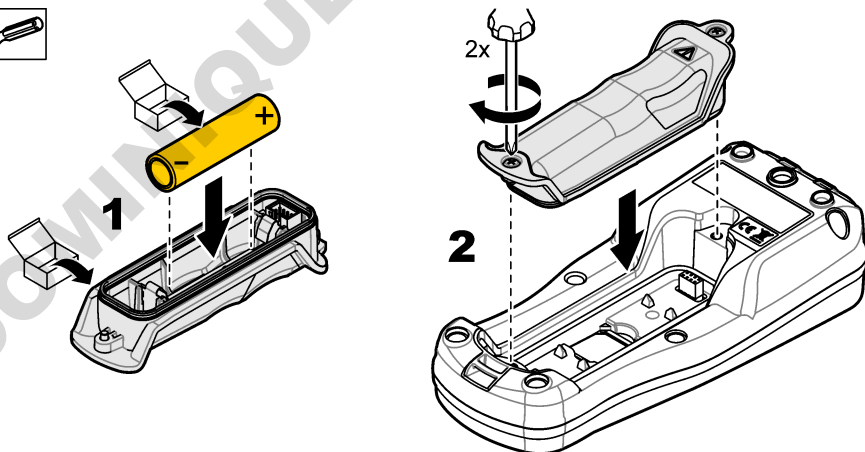
▲ AVVERTENZA



Rischio di incendio ed esplosione. È vietato utilizzare batterie non originali. Utilizzare solo batterie fornite dal produttore dello strumento.

Utilizzare esclusivamente la batteria ricaricabile agli ioni di litio fornita dal produttore. Fare riferimento a [Figura 3](#) per installare o rimuovere la batteria.

Figura 3 Installazione e rimozione della batteria



5.3 Ricarica della batteria

⚠ PERICOLO



Pericolo di folgorazione. Se questo apparecchio viene usato all'esterno o in posizioni potenzialmente umide, per collegarlo alla sorgente di alimentazione principale è necessario utilizzare un interruttore automatico differenziale.

⚠ AVVERTENZA



Pericolo di incendio. Utilizzare esclusivamente l'alimentatore esterno specificato per questo strumento.

⚠ AVVERTENZA



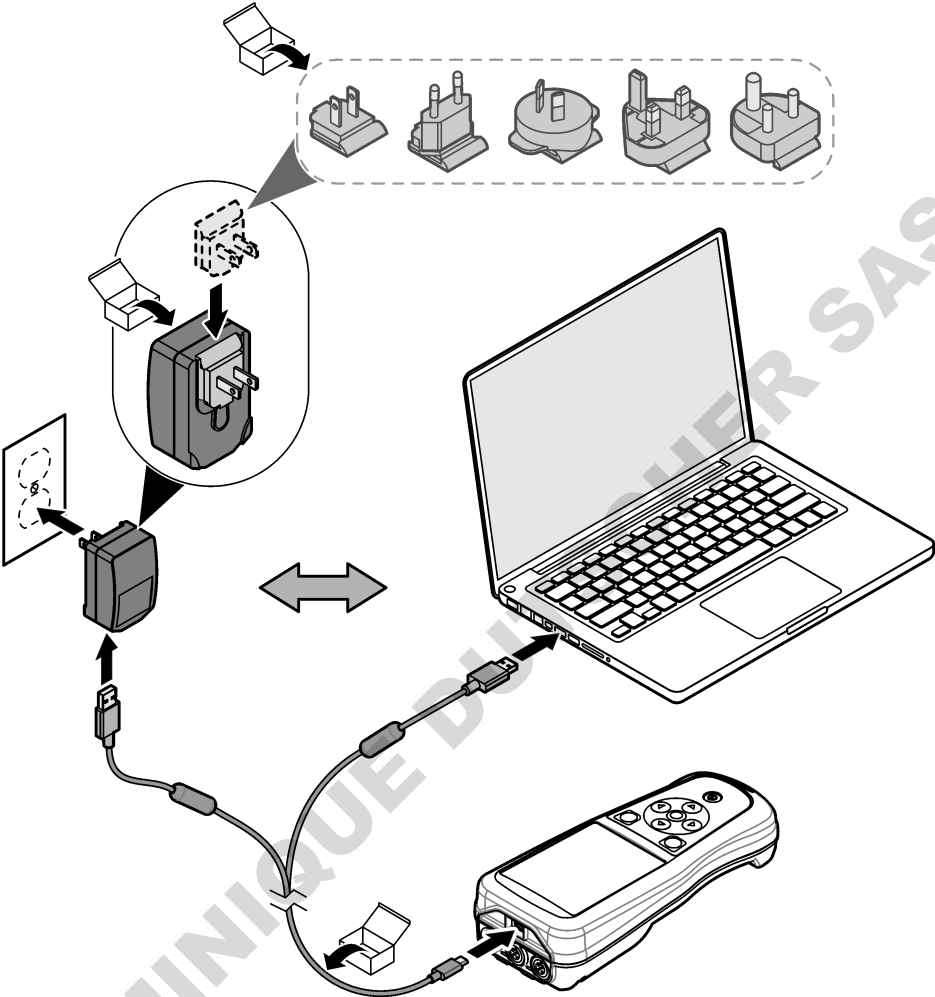
Pericolo di folgorazione. Gli apparecchi con collegamento esterno devono essere sottoposti a valutazione in base alle norme di sicurezza locali.

AVVISO

Installare sempre il cappuccio per porta USB quando la porta non è in uso per mantenere la porta pulita e prevenire la corrosione. Non caricare la batteria se la porta USB è bagnata, sporca o corrosa. Fare riferimento a [Montaggio dei cappucci sulle porte per sonde e USB](#) a pagina 49.

Per ricaricare la batteria, utilizzare il cavo USB e l'adattatore di alimentazione USB in dotazione o un PC. Fare riferimento a [Figura 4](#). Quando lo strumento è collegato alla rete elettrica e si preme il tasto di accensione/spegnimento, la spia LED verde si accende. È possibile usare lo strumento durante la ricarica della batteria. Una batteria scarica si ricarica completamente dopo circa 5 ore quando si utilizza l'adattatore di alimentazione USB e lo strumento è spento. Assicurarsi di applicare il cappuccio per porta USB quando la porta USB non è in uso. Fare riferimento a [Montaggio dei cappucci sulle porte per sonde e USB](#) a pagina 49.

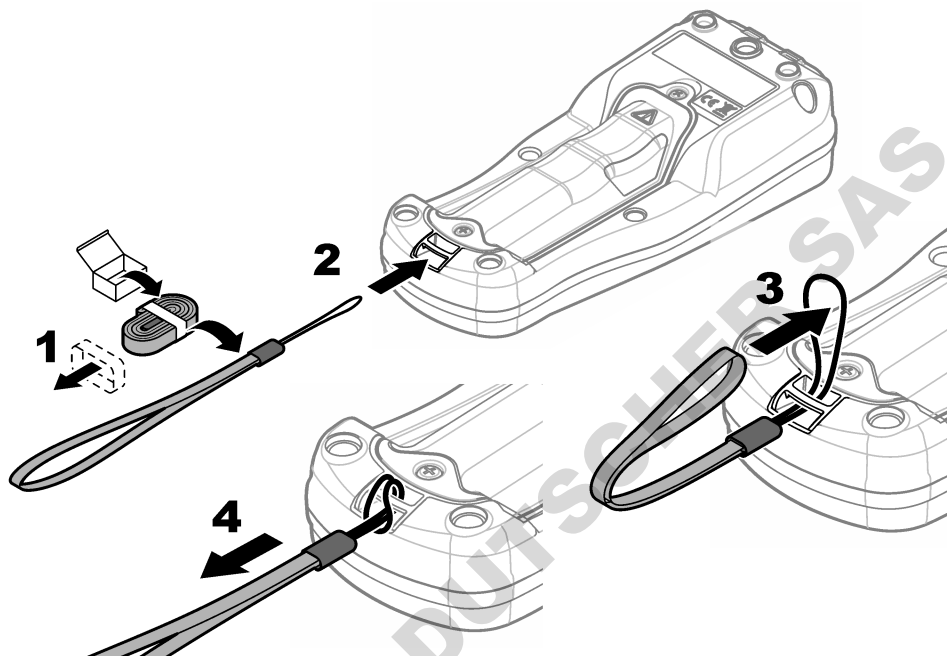
Figura 4 Collegamento all'adattatore di alimentazione USB o a un PC



5.4 Montaggio di un cordoncino

Montare il cordoncino per fissare saldamente il misuratore. Fare riferimento a [Figura 5](#).

Figura 5 Montaggio del cordoncino



5.5 Montaggio dei cappucci sulle porte per sonde e USB

Assicurarsi di installare i cappucci sulle porte della sonda e USB quando le porte non sono in uso per mantenerle pulite e prevenire la corrosione. I cappucci per porte devono essere installati nelle porte vuote per mantenere il grado di protezione dell'involucro dello strumento. Fare riferimento a [Figura 6](#) e [Figura 7](#).

Nota: [Figura 6](#) mostra un misuratore con tre porte per sonda. Alcuni modelli di misuratori sono dotati solo di una o due porte per sonda.

Figura 6 Montaggio del cappuccio per porta

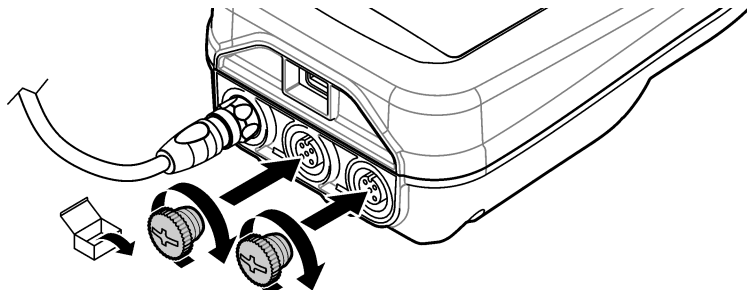
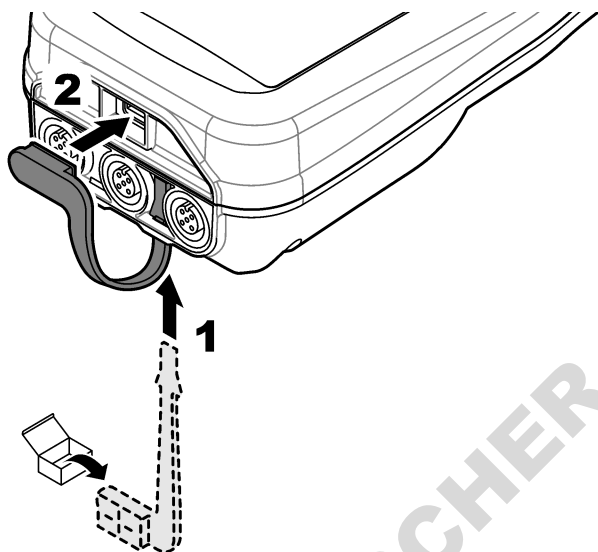



Figura 7 Montaggio del cappuccio per porta USB



Sezione 6 Avviamento

6.1 Avvio del misuratore

Premere  per avviare il misuratore. Se il misuratore non si accende, accertarsi che le batterie siano installate correttamente o che il misuratore sia collegato a una presa elettrica. Fare riferimento a [Ricarica della batteria](#) a pagina 47.

6.2 Selezione della lingua

Quando il misuratore viene acceso per la prima volta o quando viene installata una nuova batteria, sul display viene visualizzata la schermata di selezione della lingua. Selezionare la lingua applicabile. L'utente può modificare la lingua dal menu Configurazione.

6.3 Impostazione della data e dell'ora

Quando il misuratore viene acceso per la prima volta o quando viene installata una nuova batteria, sul display viene visualizzata la schermata di data e ora. Completare i passaggi riportati di seguito per impostare la data e l'ora.

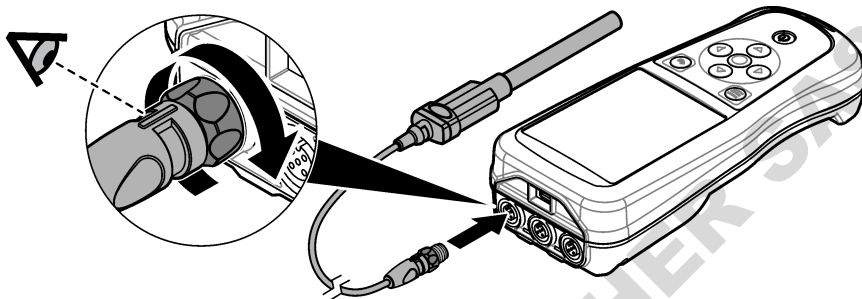
Nota: L'utente può modificare la data e l'ora dal menu Configurazione.

1. Premere i tasti freccia su e giù per selezionare un formato per la data.
2. Premere la freccia destra per passare alla data e all'ora.
3. Premere i tasti freccia su e giù per modificare la data e l'ora.
4. Premere la freccia destra per evidenziare Salva.
5. Selezionare Salva per salvare le impostazioni.

6.4 Collegamento di una sonda

Assicurarsi di avere impostato l'ora e la data nel misuratore prima di collegare una sonda. L'indicatore di data e ora di una sonda viene impostato nel momento in cui la sonda viene collegata per la prima volta allo strumento. L'indicatore di data e ora registra automaticamente la cronologia della sonda e l'ora in cui vengono effettuate le misurazioni. Fare riferimento a [Figura 8](#) per collegare una sonda al misuratore.

Figura 8 Collegare una sonda al misuratore



Sezione 7 Interfaccia utente e navigazione

Dopo l'avvio, il display visualizza la schermata Home. Fare riferimento a [Schermata Home](#) a pagina 51. Utilizzare la tastiera per selezionare le opzioni disponibili e modificare i valori. Fare riferimento a [Tastiera](#) a pagina 53. Utilizzare il menu principale per accedere alle impostazioni e ad altri menu. Fare riferimento a [Menu principale](#) a pagina 54.

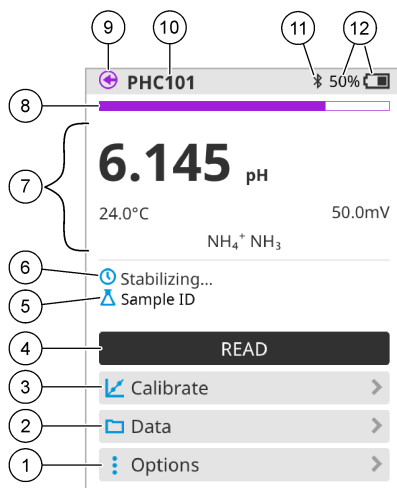
7.1 Schermata Home

Il display visualizza la schermata Home quando il misuratore è acceso e una sonda è collegata al misuratore. Fare riferimento a [Figura 9](#). I modelli HQ4100, HQ4200 e HQ4300 sono dotati di display a colori. Per i modelli con due o tre porte per sonda, la schermata mostra tutte le sonde collegate. Fare riferimento a [Figura 10](#).

Le attività che seguono sono disponibili sulla schermata Home:

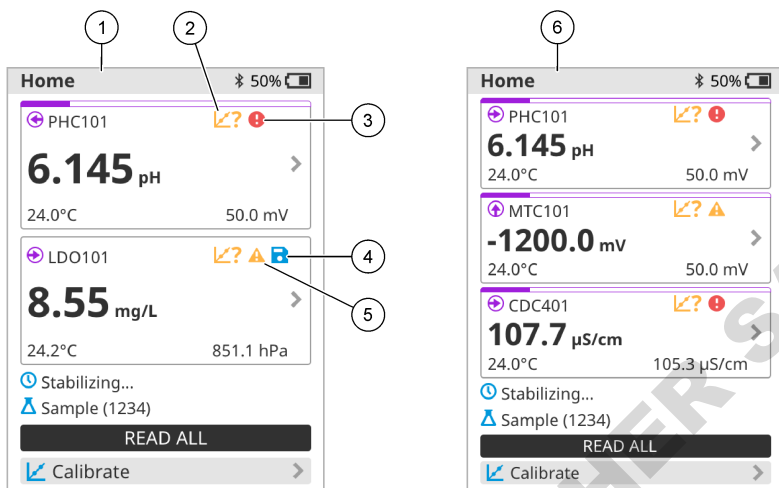
- Misurazione di campioni
- Taratura di una sonda
- Verifica di una taratura
- Impostazione di ID campione (identificazione)
- Visualizzazione e gestione dei dati
- Lettura delle istruzioni dettagliate

Figura 9 Esempio di schermata Home—Una sonda



1	Menu Opzioni: consente di accedere alle istruzioni e ad altri menu	7	Sezione valore di misurazione: mostra il valore misurato, la temperatura e le unità
2	Menu Dati: consente l'accesso per la visualizzazione e la gestione dei dati	8	Indicatore di stato di stabilità della misurazione: mostra lo stato della misurazione
3	Pulsante Tara: consente di avviare una taratura	9	Porta della sonda Intellical: mostra la posizione della porta della sonda collegata
4	Pulsante Leggi: consente di leggere il valore della soluzione standard o campione	10	Nome sonda Intellical: mostra il nome modello della sonda collegata
5	ID campione: mostra il nome del campione che viene misurato	11	Icona Bluetooth® (se la chiavetta di comunicazione Hach è installata): indica quando è attiva una connessione Bluetooth
6	Area messaggi: mostra lo stato della misurazione, l'ID campione, gli errori e le avvertenze	12	Indicatore di carica della batteria: indica la percentuale di carica della batteria

Figura 10 Esempio di schermata Home—Due o tre sonde

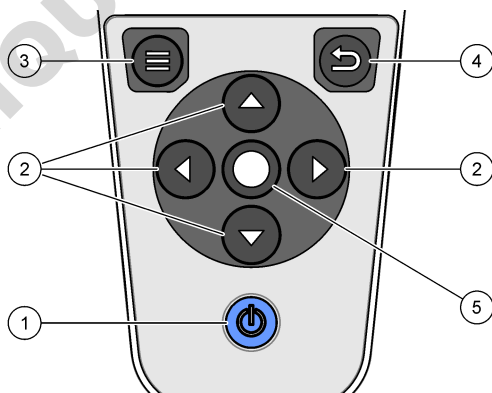


1 Schermata Home con due sonde	4 Icona di salvataggio: i dati di misurazione si trovano nel registro dati
2 Icona di taratura: indica che la taratura non è stata accettata o è scaduta	5 Icona di avviso (vedere Risoluzione dei problemi a pagina 58)
3 Icona di errore (vedere Risoluzione dei problemi a pagina 58)	6 Schermata Home con tre sonde

7.2 Tastiera

Fare riferimento a [Figura 11](#) per una descrizione della tastiera.

Figura 11 Descrizione della tastiera

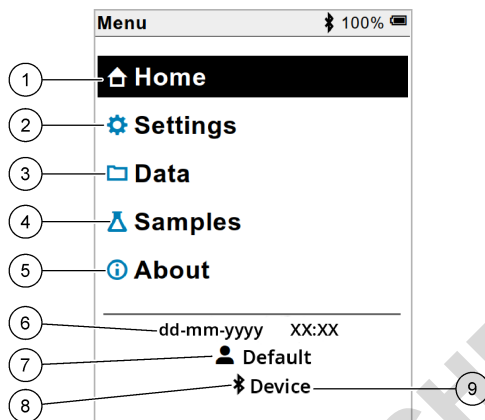


1 Tasto di accensione/spengimento	4 Tasto Indietro
2 Freccie di navigazione	5 Tasto Selezione
3 Tasto Menu	

7.3 Menu principale

Premere  per andare al menu principale. Fare riferimento a [Figura 12](#).

Figura 12 Descrizione del menu principale



1 Schermata Home	4 Menu ID campione	7 ID utente
2 Menu Configurazione	5 Informazioni sullo schermo del misuratore	8 Icona Bluetooth® (se l'HCD è installata)
3 Menu Dati	6 Data e ora	9 ID del dispositivo Bluetooth® (con HCD installata)

Sezione 8 Funzionamento

In questa sezione vengono fornite le istruzioni generali per il funzionamento del misuratore. Per istruzioni più dettagliate, fare riferimento alle istruzioni visualizzate sullo schermo del misuratore o al manuale dell'utente della sonda.

8.1 Misurazione di campioni


Di seguito sono riportati i passaggi generali per la misurazione di campioni con il misuratore.

1. Selezionare la modalità di misurazione. Fare riferimento a [Impostazioni del misuratore](#) a pagina 56.
2. Preparare il campione per la misurazione. Fare riferimento alle istruzioni visualizzate sullo schermo del misuratore o al manuale dell'utente della sonda.
3. Misurare il campione come indicato di seguito:
 - **Modalità Premi per leggere:** selezionare Leggi (o Leggi tutto) per misurare il valore del campione. Il misuratore salva automaticamente il valore.
 - **Modalità Intervallo:** selezionare Avvia (o Avvia tutto) per avviare le misurazioni. Il misuratore misura e salva automaticamente il valore del campione negli intervalli di tempo specificati. Selezionare Arresta (o Arresta tutto) per interrompere le misurazioni.
 - **Modalità continua:** il misuratore misura il valore del campione in continuo. Selezionare Salva (o Salva tutto) per salvare il valore visualizzato sullo schermo del display.

Dopo ogni misurazione, il risultato viene visualizzato sul display. Se il risultato viene salvato nel registro dati, sul display viene visualizzata l'icona di salvataggio.

8.2 Taratura di una sonda


Di seguito sono riportati i passaggi generali per la taratura della sonda con il misuratore. Per modificare le impostazioni di taratura, fare riferimento a [Impostazioni sonda](#) a pagina 57.

1. Nella schermata iniziale, selezionare  Tara. Se sono collegate più sonde, selezionare la sonda da tarare. Sul display vengono visualizzate le soluzioni da utilizzare per la taratura.
2. Preparare i tamponi o le soluzioni standard per la taratura. Fare riferimento alle istruzioni visualizzate sullo schermo del misuratore o al manuale dell'utente della sonda.
3. Selezionare Leggi per avviare la taratura. Il misuratore misura il valore della soluzione di taratura. Una volta completata la misurazione, sul display viene visualizzato il risultato.
4. Selezionare Leggi per rilevare il valore delle altre soluzioni tampone o standard, secondo quanto applicabile. Selezionare Salva per salvare la taratura.

Nota: se la taratura non viene accettata, fare riferimento alle istruzioni visualizzate sullo schermo del misuratore o contenute nel manuale dell'utente della sonda.

8.3 Verifica della taratura


Di seguito sono riportati i passaggi generali per verificare la taratura di una sonda con il misuratore. Per modificare le impostazioni di verifica, fare riferimento a [Impostazioni sonda](#) a pagina 57.

1. Nella schermata Home, selezionare Opzioni > Verifica taratura. Il display mostra la soluzione standard o tampone da utilizzare per la verifica.
2. Preparare la soluzione standard o tampone per la verifica. Fare riferimento alle istruzioni visualizzate sullo schermo del misuratore o al manuale dell'utente della sonda.
3. Selezionare Leggi per avviare la verifica. Il misuratore misura il valore della soluzione di verifica. Una volta completata la misurazione, sul display viene visualizzato il risultato.
4. Se la verifica ha esito positivo , selezionare Salva per salvare il risultato.

Nota: se la verifica non viene accettata, fare riferimento alle istruzioni visualizzate sullo schermo del misuratore o contenute nel manuale dell'utente della sonda.

8.4 Inclusione dell'ID campione con i dati di misurazione


Lo strumento può salvare un nome (ID) del campione con i dati di misurazione memorizzati. Immettere più nomi di campioni nello strumento, quindi selezionare il nome del campione applicabile prima che i campioni vengono misurati. Lo strumento aggiunge numeri ai campioni con lo stesso nome, ad esempio "Nome campione (2)".

1. Premere  e selezionare Campioni.
2. Selezionare un'opzione.

Opzione	Descrizione
Campione	Consente di selezionare il nome del campione da salvare insieme alle misurazioni del campione.
Crea nuovo campione	Apri una schermata per aggiungere nuovi nomi di campioni. I nomi di campioni possono includere lettere e numeri.
Elimina campioni	Rimuove i nomi dei campioni.

8.5 Inclusione dell'ID utente con i dati memorizzati

Lo strumento può registrare un nome utente (ID) con i dati memorizzati. Immettere più nomi utente nello strumento, quindi selezionare il nome utente applicabile prima di eseguire operazioni di taratura o misurazione.


1. Premere  e selezionare Configurazione. Viene visualizzato l'elenco delle impostazioni.
2. Selezionare Utenti.
3. Selezionare un'opzione.

Opzione	Descrizione
Utente	Seleziona il nome utente. Il nome utente selezionato viene visualizzato nella schermata del menu principale e viene salvato con i dati memorizzati.
Crea nuovo utente	Aprire una schermata per l'aggiunta di nuovi nomi utente. I nomi utente possono includere lettere e numeri.
Elimina utenti	Rimuove i nomi utente.

Sezione 9 Impostazioni del misuratore

Completare i passaggi riportati di seguito per modificare le impostazioni generali del misuratore.

Nota: la protezione tramite password può impedire l'accesso ad alcuni menu. Fare riferimento al manuale utente online per informazioni sul controllo degli accessi.

1. Premere  e selezionare Configurazione. Viene visualizzato l'elenco delle impostazioni.
2. Selezionare un'opzione.


Opzione	Descrizione
[Nome sonda]	Modifica le impostazioni specifiche della sonda per misurazioni, taratura e verifica. Fare riferimento a Impostazioni sonda a pagina 57 per modificare le impostazioni della sonda collegata.
Modalità di misura	Imposta l'avvio delle misurazioni. Opzioni: Premi per leggere, Continuo o Intervallo. Premi per leggere: il campione viene misurato solo quando si preme Leggi. I dati vengono salvati automaticamente nel registro dati quando sono soddisfatti i criteri di stabilità. Intervallo: il campione viene misurato a intervalli regolari per una durata specificata. I dati vengono memorizzati automaticamente nel registro dati. Continuo: il misuratore misura il valore del campione di continuo. I dati vengono salvati nel registro dati solo quando l'utente seleziona Salva.
Temperatura	Imposta le unità di temperatura in °C o °F.
Display	Modifica le impostazioni per il display. Opzioni: Luminosità, Retroilluminazione e Spegnimento. Luminosità: Cambia l'intensità della retroilluminazione. Opzioni: da 10 a 100% (valore predefinito: 50%). Retroilluminazione: Imposta la retroilluminazione su off quando lo strumento non viene utilizzato per un periodo di tempo specificato. Opzioni: 15 secondi, 30 secondi, 1 minuto, 5 minuti o Mai. Spegnimento: imposta lo strumento su off quando lo strumento non viene utilizzato per un periodo di tempo specificato. Opzioni: 1 minuto, 2 minuti, 5 minuti, 10 minuti, 30 minuti, 1 ora, 2 ore o Mai.
Seg. acustico	Imposta lo strumento per emettere un suono durante la pressione dei tasti o le notifiche. Opzioni: Tasto premuto, Avviso stabilità, Promemoria, Avviso di errore/avvertenza o Carica completata (batteria).
Utenti	Seleziona un utente, aggiunge un nuovo utente o elimina un utente.
Data e ora	Imposta il formato data/ora, la data e l'ora nel misuratore.

Opzione	Descrizione
Lingua	Imposta la lingua del misuratore.
Accedi	Imposta una password per impedire l'accesso alle impostazioni della sonda, ad alcune impostazioni del misuratore (modalità di misurazione, temperatura, lingua) e agli aggiornamenti del software. Un utente senza password non può eliminare impostazioni o dati quando il controllo di accesso è attivo.
Diagnostica	Crea un file diagnostico per supporto tecnico o assistenza in caso di problemi tecnici. L'utente deve collegare lo strumento a un PC per ottenere il file.

Sezione 10 Impostazioni sonda

Quando una sonda è collegata al misuratore, l'utente può modificare le impostazioni della sonda relative a misurazioni, tarature e verifiche. Per accedere alle impostazioni della sonda collegata, fare riferimento alla procedura riportata di seguito. Per una descrizione più completa delle impostazioni, fare riferimento al manuale dell'utente online del misuratore.

Nota: la protezione tramite password può impedire l'accesso ad alcuni menu. Per informazioni sulle impostazioni di sicurezza, fare riferimento al manuale dell'utente online.


1. Premere  e selezionare Configurazione. Viene visualizzato l'elenco delle impostazioni.
2. Selezionare il nome della sonda.
3. Selezionare l'opzione desiderata: Misura, Taratura o Verifica.

Sezione 11 Gestione dei dati

Il misuratore salva i dati delle misurazioni, delle tarature e delle verifiche dei campioni nel modo seguente:

- Misurazioni dei campioni: quando la modalità di misurazione è Premi per leggere o Intervallo, il misuratore salva automaticamente i dati misurati del campione. Quando la modalità di misurazione è Continua, l'utente deve selezionare Salva per salvare i dati misurati del campione. Quando i dati misurati del campione vengono salvati nel registro dati, nella schermata Home viene visualizzata l'icona di salvataggio.
- Dati di taratura: l'utente deve selezionare Salva per salvare i dati di taratura. I dati di taratura vengono salvati nel misuratore e nella sonda Intellical.
- Dati di verifica: l'utente deve selezionare Salva per salvare i dati di verifica.

Completare i seguenti passaggi per visualizzare, esportare o eliminare i dati.

1. Premere  e selezionare Dati oppure selezionare Dati dalla schermata Home.
2. Selezionare un'opzione.

Opzione	Descrizione
Visualizza dati	Consente di visualizzare i dati nel registro dati. I dati più recenti vengono visualizzati per primi. Premere la freccia giù per visualizzare ulteriori dati. L'icona di taratura viene visualizzata quando i dati sono di tipo dati di taratura. L'icona di verifica viene visualizzata quando i dati sono di tipo dati di verifica. Per visualizzare ulteriori dettagli su un punto dati, selezionare una riga di dati e premere la freccia destra. Per applicare un filtro e visualizzare solo i dati filtrati, premere la freccia sinistra e selezionare un parametro, un tipo di dati o un intervallo di date.

Opzione	Descrizione
Esporta dati	<p>Invia una copia di tutti i dati presenti nel registro dati a un PC o a un dispositivo di memoria USB collegato. Per collegare lo strumento a un PC, fare riferimento alla Figura 4 a pagina 48. Per collegare lo strumento a un dispositivo di memoria USB standard, utilizzare un adattatore da micro USB a USB tipo A. In alternativa, utilizzare un dispositivo di memoria USB dotato di un connettore micro USB.</p> <p>Quando lo strumento viene collegato a un PC, si apre una finestra Esplora file su un'unità denominata "HQ-Series". Espandere l'unità e cercare la sottocartella con il nome del misuratore e il numero di serie. Il file di dati viene visualizzato come file .csv con la data e l'ora come nome del file. Salvare il file .csv in locale sul PC.</p> <p>Nota: se la finestra Esplora file non si apre automaticamente, aprirla manualmente e individuare l'unità denominata "HQ-Series".</p>
Cronologia tarature	Mostra i dati di taratura correnti e precedenti di una sonda collegata.
Elimina dati	Cancella tutti i dati nel registro dati. La protezione tramite password può impedire l'accesso all'opzione di eliminazione dei dati.

Sezione 12 Manutenzione

⚠ ATTENZIONE



Pericoli multipli. Gli interventi descritti in questa sezione del documento devono essere eseguiti solo da personale qualificato.

12.1 Pulizia dello strumento

Pulire le superfici esterne dello strumento con un panno inumidito con una soluzione contenente sapone delicato; quindi asciugare lo strumento secondo necessità.

12.2 Sostituzione della batteria

Sostituire la batteria quando non si carica o non mantiene la carica. Utilizzare solo la batteria e il caricabatteria forniti dal produttore. Fare riferimento a [Installazione della batteria](#) a pagina 46.



12.3 Preparazione per la spedizione

Lo strumento contiene una batteria agli ioni di litio, che è considerata come materiale pericoloso e deve essere conforme alle normative sulle merci pericolose per tutti i tipi di trasporto. Utilizzare le procedure seguenti per spedire lo strumento per la riparazione o la manutenzione:

- Scollegare le sonde prima della spedizione.
- Pulire e decontaminare lo strumento prima della spedizione.
- Per la massima sicurezza, rimuovere la batteria agli ioni di litio dal dispositivo e non spedire la batteria. Se è necessario spedire la batteria, lasciarla installata nell'apposito involucro ma non collegare l'involucro allo strumento. Posizionare l'involucro con la batteria installata in una confezione separata per evitare il contatto con materiali a conducibilità elettrica (ad esempio, metalli).
- Spedire lo strumento nella confezione originale o in una confezione protettiva alternativa.

Sezione 13 Risoluzione dei problemi

13.1 Risoluzione dei problemi con le istruzioni visualizzate sullo schermo

L'interfaccia utente contiene istruzioni per la risoluzione dei problemi che possono verificarsi durante le misurazioni, le tarature e le verifiche. Quando si verifica un problema, sul display viene visualizzata l'icona di errore  o di avvertenza  con una breve descrizione del problema. Premere nuovamente la freccia destra per vedere le procedure consigliate per risolvere il problema.

Sezione 14 Parti di ricambio

⚠ AVVERTENZA



Pericolo di lesioni personali. L'uso di parti non approvate può causare lesioni personali, danni alla strumentazione o malfunzionamenti dell'apparecchiatura. La parti di ricambio riportate in questa sezione sono approvate dal produttore.

Nota: numeri di prodotti e articoli possono variare per alcune regioni di vendita. Contattare il distributore appropriato o fare riferimento al sito Web dell'azienda per dati di contatto.

Parti di ricambio

Descrizione	N. articolo
Batteria, agli ioni di litio, 18650, 3200 mAh, lingua inglese	LEZ015.99.00001
Batteria, agli ioni di litio, 18650, 3100 mAh, lingua cinese	LEZ015.80.00001
Cavo, connettore maschio USB 2.0/connettore maschio micro tipo B, 0,91 m (3 piedi)	LEZ015.99.00002
Custodia da campo per sonde standard	LEZ015.99.A001A
Custodia da campo per sonde rinforzate	LEZ015.99.A002A
Cordoncino per trasporto e tappi antipolvere	LEZ015.99.A005A
Supporto con fascetta da polso	LEZ015.99.A003A
Guanto di protezione	LEZ015.99.A004A
Adattatore di alimentazione USB, 5 VCC, 2 A, 100–240 VCA, Stati Uniti	LEZ015.99.00006
Adattatore di alimentazione USB, 5 VCC, 2 A, 100–240 VCA, UE + REGNO UNITO	LEZ015.99.00004
Adattatore di alimentazione USB, 5 VCC, 2 A, 100–240 VCA, Cina	LEZ015.99.00005
Adattatore di alimentazione USB, 5 VCC, 2 A, 100–240 VCA, resto del mondo	LEZ015.99.00007

Table des matières

- 1 Manuel de l'utilisateur en ligne à la page 60
- 2 Présentation générale du produit à la page 60
- 3 Caractéristiques techniques à la page 61
- 4 Généralités à la page 62
- 5 Installation à la page 64
- 6 Mise en marche à la page 69
- 7 Interface utilisateur et navigation à la page 70
- 8 Fonctionnement à la page 73
- 9 Paramètres de l'appareil de mesure à la page 75
- 10 Paramètres de la sonde à la page 76
- 11 Gestion des données à la page 76
- 12 Maintenance à la page 77
- 13 Dépannage à la page 78
- 14 Pièces de rechange à la page 78

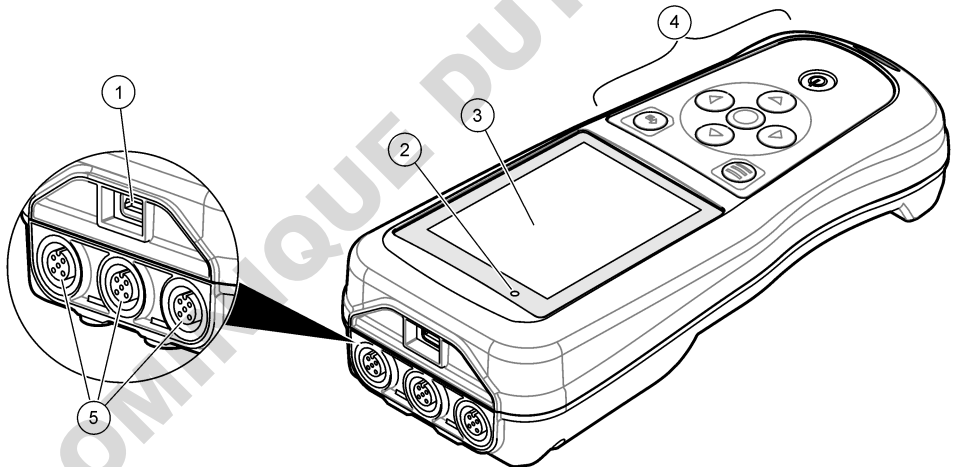
Section 1 Manuel de l'utilisateur en ligne

Ce manuel utilisateur simplifié contient moins d'informations que le manuel d'utilisation détaillé, disponible sur le site Web du fabricant.

Section 2 Présentation générale du produit

Les appareils de mesure portables de la série HQ sont utilisés avec les sondes numériques Intellical pour mesurer un ou plusieurs paramètres de qualité de l'eau. Reportez-vous à la [Figure 1](#). L'appareil de mesure reconnaît automatiquement le type de sonde auquel il est relié. L'appareil de mesure peut se connecter à un PC ou à un périphérique USB pour transférer les données enregistrées dans celui-ci. Le dongle de communication Hach (HCD) en option connecte l'appareil de mesure à Claros. Les appareils de mesure portables de la série HQ sont disponibles en huit modèles. Le [Tableau 1](#) présente les types de sondes qui peuvent se connecter à chaque modèle.

Figure 1 Présentation générale du produit



1	Connecteur micro-USB	4	Clavier
2	Indicateur LED	5	Ports pour sonde Intellical (l'illustration représente le modèle à trois entrées d'électrodes)
3	Ecran		

Tableau 1 Modèles d'appareils de mesure de la série HQ

Modèle d'appareil de mesure	Connecteurs (pour sondes)	PHC/MTC ¹ sondes	LDO/LBOD ² sondes	CDC ³ sondes	ISE ⁴ sondes
HQ1110	1	✓			
HQ1130	1		✓		
HQ1140	1			✓	
HQ2100	1	✓	✓	✓	
HQ2200	2	✓	✓	✓	
HQ4100	1	✓	✓	✓	✓
HQ4200	2	✓	✓	✓	✓
HQ4300	3	✓	✓	✓	✓

Section 3 Caractéristiques techniques

Ces caractéristiques sont susceptibles d'être modifiées sans avis préalable.

Caractéristiques	Détails
Dimensions (L x l x h)	22 x 9,7 x 6,3 cm
Poids	HQ1110, HQ1130, HQ1140 et HQ2100 : 519 g ; HQ2200 : 541 g ; HQ4100 : 530 g ; HQ4200 : 550 g ; HQ4300 : 570 g
Indice de protection du boîtier	IP67 avec boîtier de batterie installé
Alimentation (interne)	Batterie lithium-ion rechargeable 18650 (18 mm de diamètre x 65 mm de longueur, cylindrique), 3,7 Vcc, 3200 mAh ; autonomie de la batterie : > 1 semaine en utilisation normale (10 mesures/jour, 5 jours/semaine en mode Continu ou Appuyer pour lire, ou > 24 heures en mode intervalle avec des intervalles de 5 minutes et temporisateur d'arrêt ≤ 15 minutes)
Alimentation (externe)	Adaptateur d'alimentation USB de classe II : entrée 100–240 Vca, 50/60 Hz ; sortie USB 5 Vcc, 2 A
Classe de protection de l'instrument	Classe III CEI (alimentation TBTS, très basse tension de sécurité) ; adaptateur d'alimentation USB de classe II CEI (double isolation)
Température de fonctionnement	0 à 60 °C
Température de charge	10 à 40 °C
Taux d'humidité en fonctionnement	90 % max. (sans condensation)
Température de stockage	–20° à 60 °C maximum 90 %, d'humidité relative (sans condensation)
Connecteur de sonde	Connecteur M12 à 5 broches pour sondes Intellical
Connecteur micro-USB	Le connecteur micro-USB autorise les connexions des câbles vers un PC et des adaptateurs d'alimentation USB.
Capacité de stockage des données (interne)	Série HQ1000 : 5000 points de données ; série HQ2000 : 10 000 points de données ; série HQ4000 : 100 000 points de données

¹ Les sondes PHC/MTC incluent la température

² Les sondes LDO/LBOD incluent la température

³ Les sondes CDC incluent la salinité, les TDS (teneur totale en matières dissoutes), la résistivité et la température

⁴ Les Électrodes Sélectives d'Ions telles que l'ammoniac, le nitrate, le chlorure, le fluorure, le sodium

Caractéristiques	Détails
Stockage des données	Stockage automatique pour les modes Appuyer pour lire et Intervalle. Stockage manuel en mode Continu.
Exportation des données	Connexion USB vers un PC ou un périphérique de stockage USB (limitée par la capacité du périphérique de stockage)
Correction de température	Désactivé, automatique et manuel (selon les paramètres)
Certifications	CE, UKCA, FCC, ISED, RCM, KC et ETL vérifié : efficacité énergétique Département de l'Energie des Etats-Unis / Ressources naturelles Canada, RoHS
Garantie	Séries HQ1000 et HQ2000 : 2 ans (UE) ; série HQ4000 : 3 ans (UE)

Section 4 Généralités

En aucun cas le fabricant ne pourra être tenu responsable des dommages résultant d'une utilisation incorrecte du produit ou du non-respect des instructions du manuel. Le constructeur se réserve le droit d'apporter des modifications à ce manuel et aux produits décrits, à tout moment, sans avertissement ni obligation. Les éditions révisées se trouvent sur le site Internet du fabricant.

4.1 Consignes de sécurité

Le fabricant décline toute responsabilité quant aux dégâts liés à une application ou un usage inappropriés de ce produit, y compris, sans toutefois s'y limiter, des dommages directs ou indirects, ainsi que des dommages consécutifs, et rejette toute responsabilité quant à ces dommages dans la mesure où la loi applicable le permet. L'utilisateur est seul responsable de la vérification des risques d'application critiques et de la mise en place de mécanismes de protection des processus en cas de défaillance de l'équipement.

Veuillez lire l'ensemble du manuel avant le déballage, la configuration ou la mise en fonctionnement de cet appareil. Respectez toutes les déclarations de prudence et d'attention. Le non-respect de cette procédure peut conduire à des blessures graves de l'opérateur ou à des dégâts sur le matériel. Assurez-vous que la protection fournie avec cet appareil n'est pas défaillante. N'utilisez ni n'installez cet appareil d'une façon différente de celle décrite dans ce manuel.

4.2 Informations sur les risques d'utilisation

▲ DANGER

Indique une situation de danger potentiel ou imminent qui, si elle n'est pas évitée, entraîne des blessures graves, voire mortelles.

▲ AVERTISSEMENT

Indique une situation de danger potentiel ou imminent qui, si elle n'est pas évitée, peut entraîner des blessures graves, voire mortelles.

▲ ATTENTION

Indique une situation de danger potentiel qui peut entraîner des blessures mineures ou légères.

AVIS

Indique une situation qui, si elle n'est pas évitée, peut occasionner l'endommagement du matériel. Informations nécessitant une attention particulière.

4.3 Etiquettes de mise en garde

Lisez toutes les étiquettes et tous les repères apposés sur l'instrument. Des personnes peuvent se blesser et le matériel peut être endommagé si ces instructions ne sont pas respectées. Un symbole sur l'appareil renvoie à une instruction de mise en garde dans le manuel.

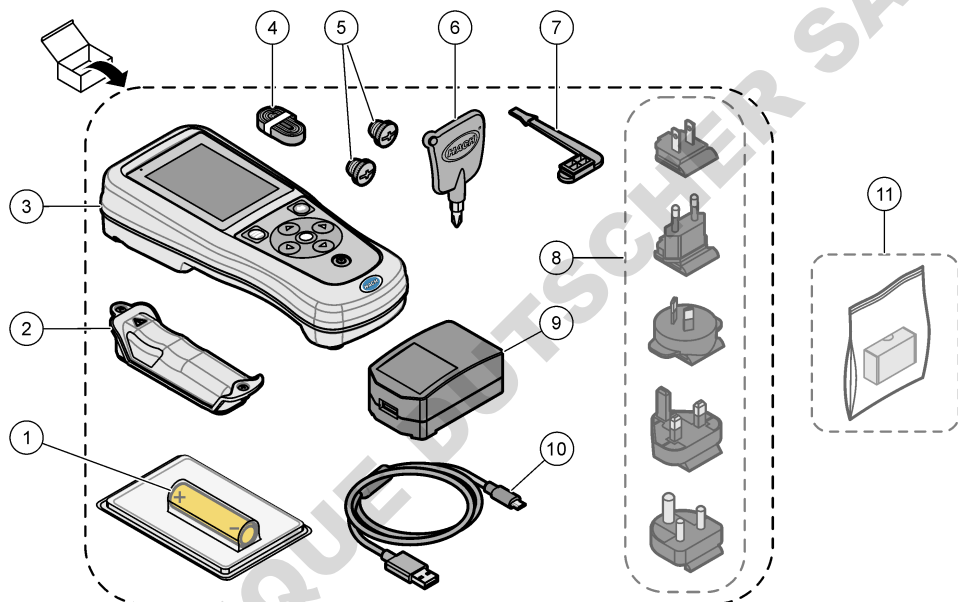


Le matériel électrique portant ce symbole ne doit pas être mis au rebut dans les réseaux domestiques ou publics européens. Retournez le matériel utilisé ou en fin de vie au fabricant pour une mise au rebut sans frais pour l'utilisateur.

4.4 Liste de colisage

Assurez-vous d'avoir bien reçu tous les composants. Reportez-vous à la [Figure 2](#). Si un élément est absent ou endommagé, contactez immédiatement le fabricant ou un représentant.

Figure 2 Composants du produit



1 Batterie lithium-ion rechargeable	7 Bouchon du port USB
2 Compartiment à pile	8 Prises secteur en option selon pays
3 Instrument	9 Adaptateur secteur USB
4 Dragonne	10 Câble USB, type A vers micro, 1 m
5 Bouchons pour connecteurs de sondes	11 Module de communication sans fil Hach (HCD) en option selon pays et configurations
6 Tournevis, (cruciforme N° 1)	

4.5 Certification

Réglementation canadienne sur les équipements radio provoquant des interférences, IECS-003, Classe B

Les données d'essai correspondantes sont conservées chez le constructeur.

This Class B digital apparatus meets all requirements of the Canadian Interference-Causing Equipment Regulations.

Cet appareil numérique de classe B répond à toutes les exigences de la réglementation canadienne sur les équipements provoquant des interférences.

FCC chapitre 15, limitations de classe B

Les données d'essai correspondantes sont conservées chez le constructeur. L'appareil est conforme à la partie 15 de la réglementation FCC. Le fonctionnement est soumis aux conditions suivantes :

1. Cet équipement ne peut pas causer d'interférence nuisible.
2. Cet équipement doit accepter toutes les interférences reçues, y compris celles qui pourraient entraîner un fonctionnement inattendu.

Les modifications de cet équipement qui n'ont pas été expressément approuvées par le responsable de la conformité aux limites pourraient annuler l'autorité dont l'utilisateur dispose pour utiliser cet équipement. Cet équipement a été testé et respecte les limitations d'un appareil numérique de classe B, conformément au chapitre 15 de la réglementation FCC. Ces limites ont pour but de fournir une protection raisonnable contre les interférences néfastes lorsque l'équipement fonctionne dans un environnement commercial. Cet équipement génère, utilise et peut irradier l'énergie des fréquences radio et, s'il n'est pas installé ou utilisé conformément au mode d'emploi, il peut entraîner des interférences dangereuses pour les communications radio. Le fonctionnement de cet équipement dans une zone résidentielle risque de causer des interférences nuisibles, dans ce cas l'utilisateur doit corriger les interférences à ses frais. Les techniques ci-dessous peuvent permettre de réduire les problèmes d'interférences :

1. Eloigner l'équipement du dispositif qui reçoit l'interférence.
2. Repositionner l'antenne de réception du périphérique qui reçoit les interférences.
3. Essayer plusieurs des techniques ci-dessus à la fois.

4.6 Dongle de communication Hach (en option selon pays et configurations)

Le module de communication sans fil Hach (HCD) en option utilise la technologie Bluetooth^{®5} Faible énergie pour communiquer avec Claros. Suivez toutes les instructions et tous les avertissements du fabricant pour installer et utiliser le dispositif. Reportez-vous à la documentation fournie avec le module HCD.

4.7 Usage prévu

▲ ATTENTION



Risque d'exposition chimique. Respectez les procédures de sécurité du laboratoire et portez tous les équipements de protection personnelle adaptés aux produits chimiques que vous manipulez. Consultez les fiches de données de sécurité (MSDS/SDS) à jour pour connaître les protocoles de sécurité applicables.

Les appareils de mesure de la série HQ sont destinés à être utilisés par des personnes qui mesurent les paramètres de qualité de l'eau en laboratoire ou sur le terrain. Les appareils de mesure de la série HQ ne traitent pas et n'altèrent pas l'eau.

Section 5 Installation

▲ DANGER



Dangers multiples. Seul le personnel qualifié doit effectuer les tâches détaillées dans cette section du document.

⁵ La marque et les logos Bluetooth[®] sont des marques déposées appartenant à Bluetooth SIG, Inc. et toute utilisation de ces marques par HACH est sous licence.

5.1 Sécurité des batteries au lithium

▲ AVERTISSEMENT



Risque d'incendie et d'explosion. Les batteries au lithium peuvent chauffer, exploser ou prendre feu et provoquer des blessures graves en cas d'exposition à des conditions abusives.

- N'utilisez pas la batterie si elle apparaît endommagée.
- N'utilisez pas la batterie après un choc fort ou des vibrations importantes.
- N'exposez pas la batterie à une flamme ou des sources d'étincelles.
- Conservez la batterie à des températures inférieures à 70 °C (158 °F).
- Conservez la batterie au sec et à l'abri de l'eau.
- Evitez que la borne positive et la borne négative de la batterie n'entrent en contact.
- Ne laissez pas les personnes non autorisées toucher la batterie.
- Jetez la batterie conformément à la réglementation locale, régionale et nationale.
- N'utilisez et ne stockez pas l'appareil sous la lumière directe du soleil, près d'une source de chaleur ou dans des environnements à haute température tel que dans un véhicule fermé en plein soleil.

5.2 Installation de la batterie

▲ AVERTISSEMENT



Risque d'incendie et d'explosion. Cet équipement contient une pile au lithium à haute énergie pouvant s'enflammer et provoquer un incendie ou une explosion, même en l'absence d'alimentation électrique. Pour maintenir le niveau de sécurité offert par le boîtier de l'instrument, les couvercles du boîtier de l'instrument doivent être installés et fermés à l'aide du matériel fourni.

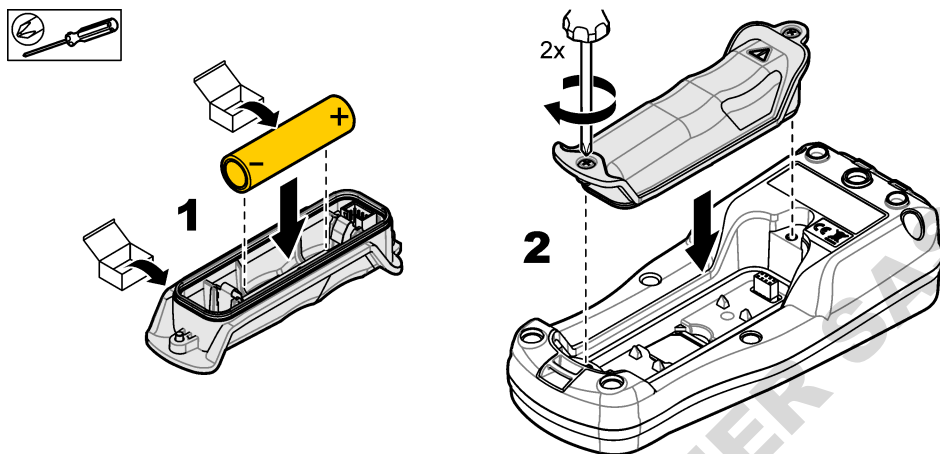
▲ AVERTISSEMENT



Risque d'explosion et d'incendie. La substitution du type de pile n'est pas autorisée. Utilisez uniquement les piles fournies par le fabricant de l'appareil.

Utilisez uniquement la batterie rechargeable lithium-ion fournie par le fabricant. Reportez-vous à la [Figure 3](#) pour connaître la procédure d'installation ou de retrait de la batterie.

Figure 3 Installation et retrait de la batterie



5.3 Mise en charge de la batterie

⚠ DANGER



Risque d'électrocution. Si cet équipement est utilisé à l'extérieur ou dans des lieux potentiellement humides, un disjoncteur de fuite à la terre (GFCI/GFI) doit être utilisé pour le branchement de l'équipement à sa source d'alimentation secteur.

⚠ AVERTISSEMENT



Risque d'incendie. Utilisez uniquement l'alimentation externe spécifiée pour cet instrument.

⚠ AVERTISSEMENT



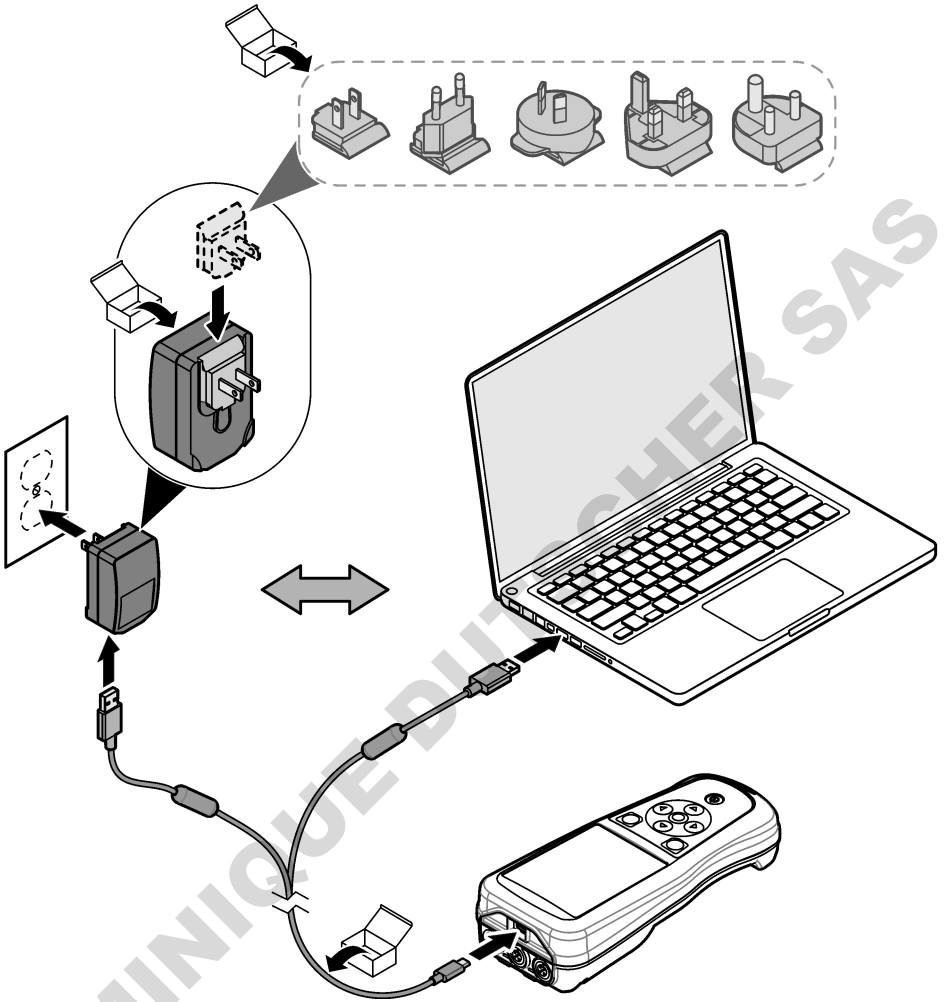
Risque d'électrocution. Tout équipement externe relié doit avoir fait l'objet d'un contrôle de sécurité conformément aux normes nationales applicables.

AVIS

Installez toujours le bouchon de port USB lorsque vous n'utilisez pas le port afin de le garder propre et de le protéger de la corrosion. Ne chargez pas la batterie si le port USB est mouillé, sale ou s'il présente des traces de corrosion. Voir [Installation des bouchons des ports de sonde et USB](#) à la page 68.

Pour charger la batterie, utilisez le câble USB et l'adaptateur secteur USB fournis ou un ordinateur. Voir [Figure 4](#). Lorsque l'instrument est branché sur une prise murale et que la touche marche/arrêt est enfoncée, le voyant LED vert s'allume. L'utilisateur peut utiliser l'instrument pendant que la batterie se charge. La charge complète d'une batterie déchargée prend environ 5 heures avec l'adaptateur d'alimentation USB et si l'instrument est hors tension. Veillez à installer le bouchon de port USB lorsque vous n'utilisez pas le port USB. Voir [Installation des bouchons des ports de sonde et USB](#) à la page 68.

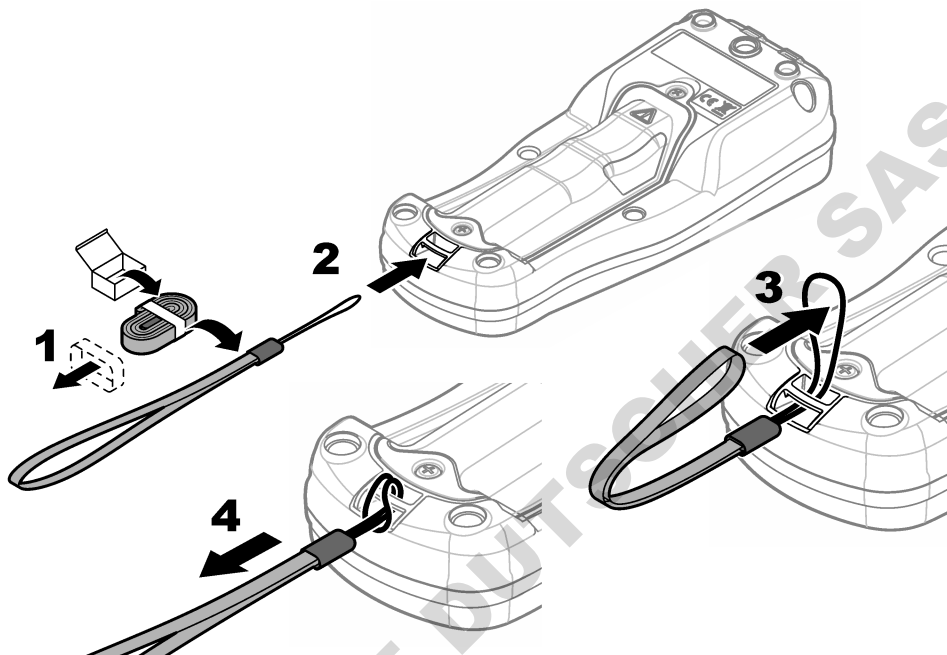
Figure 4 Branchez à l'adaptateur d'alimentation USB ou un PC



5.4 Mise en place de la dragonne

Mettez la dragonne en place pour tenir l'appareil de mesure de façon sécurisée. Reportez-vous à la section [Figure 5](#).

Figure 5 Mise en place de la dragonne



5.5 Installation des bouchons des ports de sonde et USB

Veillez à installer les bouchons de ports USB lorsque vous n'utilisez pas les ports afin de les garder propres et de les protéger de la corrosion. Les bouchons de ports doivent être installés sur des ports vides afin de conserver l'indice de protection de l'instrument. Voir [Figure 6](#) et [Figure 7](#).

Remarque : [Figure 6](#) Illustration d'un appareil de mesure doté de trois ports de sonde. Certains modèles d'appareils de mesure ne disposent que d'un ou deux ports de sonde.

Figure 6 Installation du bouchon de port

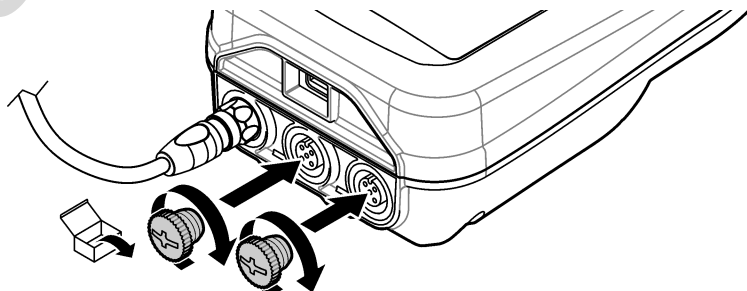
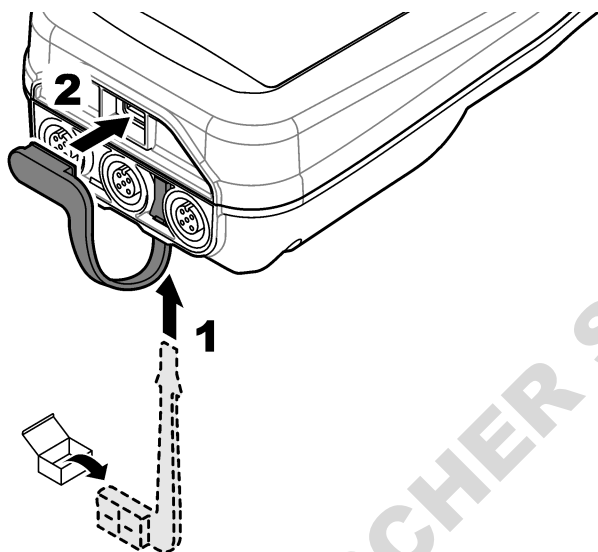



Figure 7 Installation du bouchon du port USB



Section 6 Mise en marche

6.1 Démarrage de l'appareil de mesure

Appuyez sur  pour démarrer l'appareil de mesure. Si l'appareil ne s'allume pas, vérifiez que la batterie est mise en place correctement et ou que l'appareil de mesure est branché à une source d'alimentation. Reportez-vous à la [Mise en charge de la batterie](#) à la page 66.

6.2 Sélectionner la langue

Lorsque l'appareil de mesure est mis sous tension pour la première fois ou lorsqu'une batterie neuve est installée, l'écran de sélection de la langue s'affiche. Sélectionnez la langue souhaitée. L'utilisateur peut également modifier la langue ultérieurement dans le menu Paramètres.

6.3 Régler la date et l'heure

Lorsque l'appareil de mesure est mis sous tension pour la première fois ou lorsqu'une batterie neuve est installée, l'écran des paramètres de réglage de la date et de l'heure s'affiche. Suivez les étapes ci-dessous pour définir les paramètres de la date et de l'heure.

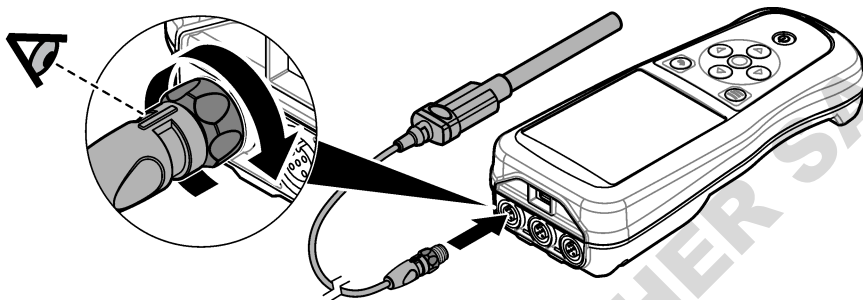
Remarque : L'utilisateur peut également modifier la date et l'heure dans le menu Paramètres.

1. Appuyez sur les flèches Haut et Bas pour sélectionner un format de date.
2. Appuyez sur la flèche de Droite pour accéder à la date et à l'heure.
3. Appuyez sur les flèches Haut et Bas pour modifier la date et l'heure.
4. Appuyez sur la flèche de Droite pour mettre en surbrillance Enregistrer.
5. Sélectionnez Enregistrer pour enregistrer les paramètres.

6.4 Branchement d'une sonde

Assurez-vous de régler l'heure et la date de l'appareil de mesure avant d'y connecter une sonde. L'horodatage d'une sonde s'effectue lors de la première connexion à l'appareil de mesure. Cet horodatage permet l'enregistrement automatique de l'historique de la sonde ainsi que de la date et de l'heure d'exécution des mesures. Reportez-vous à la section [Figure 8](#) pour connecter une sonde à l'appareil de mesure.

Figure 8 Branchement d'une sonde à l'appareil de mesure



Section 7 Interface utilisateur et navigation

Après le démarrage, l'écran d'accueil s'affiche. Reportez-vous à la section [Ecran d'accueil](#) à la page 70. Utilisez le clavier pour sélectionner les options disponibles et modifier les valeurs. Reportez-vous à la section [Clavier](#) à la page 72. Utilisez le menu principal pour accéder aux paramètres et aux autres menus. Reportez-vous à la section [Menu principal](#) à la page 73.

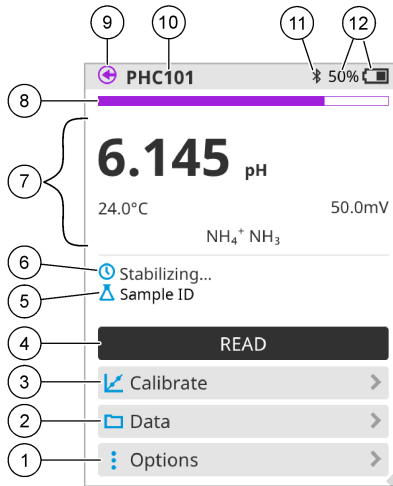
7.1 Ecran d'accueil

L'écran d'accueil s'affiche lorsque l'appareil de mesure est allumé et qu'une sonde est connectée. Reportez-vous à la section [Figure 9](#). Seuls les modèles HQ4100, HQ4200 et HQ4300 sont dotés d'un écran couleur. Pour les modèles dotés de deux ou trois ports de sonde, l'écran affiche simultanément toutes les sondes connectées. Reportez-vous à la section [Figure 10](#).

Les tâches suivantes sont disponibles depuis l'écran d'accueil :

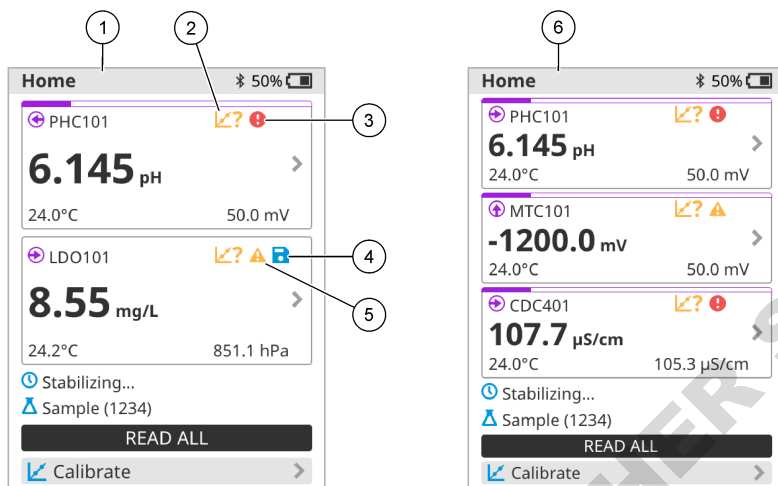
- Mesures d'échantillons
- Etalonnage d'une sonde
- Vérification d'un étalonnage
- Entrée de l'identification des échantillons (ID)
- Affichage et gestion des données enregistrées
- Lecture des instructions étape par étape

Figure 9 Exemple d'écran d'accueil : une sonde



1	Menu Options : permet d'accéder aux instructions et aux autres menus	7	Section Valeur mesurée : affiche la valeur, la température et les unités de mesure
2	Menu Données : permet d'afficher et de gérer les données	8	Indicateur d'état de stabilité de la mesure : indique l'état de la mesure
3	Étalonner : lance un étalonnage	9	Port de la sonde Intellical : indique l'emplacement de la sonde connectée
4	Lecture : lit la valeur de l'échantillon ou de la solution étalon	10	Nom de la sonde Intellical : affiche le nom du modèle de la sonde connectée
5	ID échantillon : indique le nom de l'échantillon mesuré	11	L'icône Bluetooth® (si le module de communication Hach est installé) : indique si une connexion Bluetooth est active
6	Zone de messages : affiche l'état de la mesure, l'ID de l'échantillon, les erreurs et les avertissements	12	Indicateur de charge de la batterie : indique le niveau de charge de la batterie

Figure 10 Exemple d'écran d'accueil : deux ou trois sondes

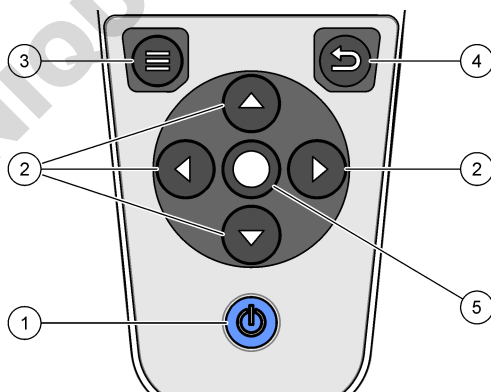


1 Ecran d'accueil avec deux sondes	4 Icône Enregistrer : les données de mesure se trouvent dans le journal de données
2 Icône Etalonnages : indique que l'étalonnage n'a pas été accepté ou qu'il a expiré	5 Icône d'avertissement (reportez-vous à Dépannage à la page 78)
3 Icône d'erreur (reportez-vous à Dépannage à la page 78)	6 Ecran d'accueil avec trois sondes

7.2 Clavier

Reportez-vous à la section [Figure 11](#) pour consulter la description du clavier.

Figure 11 Description du clavier



1 Touche Marche/Arrêt	4 Touche Retour
2 Flèches de navigation	5 Touche de sélection
3 Touche Menu	

7.3 Menu principal


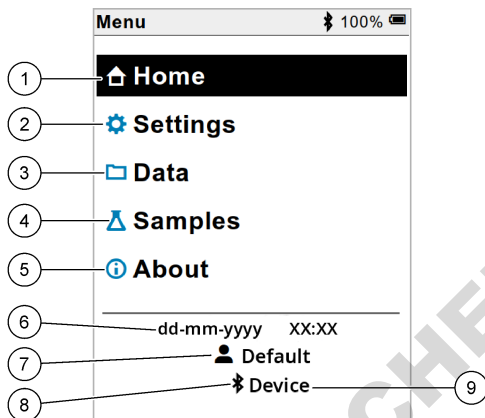
Appuyez sur  (Accueil) pour passer au menu principal. Reportez-vous à la section [Figure 12](#).

Figure 12 Description du menu principal



1 Écran principal	4 Menu ID échantillon	7 Menu identifiant (ID) utilisateur
2 Réglages	5 A propos de l'écran de l'appareil de mesure	8 Icône Bluetooth® (si HCD installé)
3 Menu Données	6 Date et heure	9 ID périphérique Bluetooth® (si HCD installé)

Section 8 Fonctionnement

Cette section fournit des instructions générales concernant l'utilisation de l'appareil de mesure. Pour des instructions plus complètes, reportez-vous aux instructions qui s'affichent sur l'écran de l'appareil de mesure ou au manuel d'utilisation de la sonde.

8.1 Mesures d'échantillons


Les étapes générales ci-dessous s'appliquent à la procédure de mesures d'échantillons à l'aide de l'appareil de mesure.

1. Sélectionnez le mode de mesure. Reportez-vous à la [Paramètres de l'appareil de mesure](#) à la page 75.
2. Préparez l'échantillon pour la mesure. Reportez-vous aux instructions qui s'affichent sur l'écran de l'appareil de mesure ou au manuel d'utilisation de la sonde.
3. Mesurez l'échantillon comme suit :
 - **Mode Appuyer pour lire** : sélectionnez « Lecture » (ou « Tout lire ») pour mesurer la valeur de l'échantillon. L'appareil de mesure enregistre automatiquement la valeur.
 - **Mode Intervalle** : sélectionnez « Démarrer » (ou « Tout lancer ») pour commencer les mesures. L'appareil mesure et enregistre automatiquement la valeur de l'échantillon à chaque intervalle de temps. Sélectionnez « Arrêter » (ou « Tout arrêter ») pour arrêter les mesures.
 - **Mode Continu** : l'appareil mesure la valeur de l'échantillon en continu. Sélectionnez « Enregistrer » (ou « Tout enregistrer ») pour enregistrer la valeur affichée à l'écran.

Après chaque mesure, l'écran affiche le résultat. L'icône d'enregistrement s'affiche sur l'écran si le résultat est enregistré dans le journal de données.

8.2 Etalonnage d'une sonde

Les étapes générales ci-dessous s'appliquent à l'étalonnage de la sonde avec l'appareil de mesure. Pour modifier les paramètres d'étalonnage, reportez-vous à la section [Paramètres de la sonde](#) à la page 76.

1. Sur l'écran d'accueil, sélectionnez «  Étalonner ». Si plusieurs sondes sont connectées, sélectionnez la sonde à étalonner. L'écran affiche la ou les solutions à utiliser pour l'étalonnage.
2. Préparez les tampons ou les solutions étalons pour l'étalonnage. Suivez les instructions qui s'affichent à l'écran de l'appareil de mesure ou reportez-vous au manuel d'utilisation de la sonde.
3. Sélectionnez « Lecture » pour lancer l'étalonnage. L'appareil mesure la valeur de la solution d'étalonnage. Une fois la mesure terminée, l'écran affiche le résultat.
4. Sélectionnez « Lecture » pour mesurer la valeur des autres tampons ou des autres solutions étalons, le cas échéant. Sélectionnez Enregistrer pour enregistrer l'étalonnage.


Remarque : Si l'étalonnage n'est pas accepté, reportez-vous aux instructions de dépannage à l'écran de l'appareil de mesure ou du manuel d'utilisation de la sonde.

8.3 Vérification de l'étalonnage

Les étapes générales ci-dessous s'appliquent à la procédure de vérification de l'étalonnage de la sonde avec l'appareil de mesure. Pour modifier les paramètres de vérification, reportez-vous à la section [Paramètres de la sonde](#) à la page 76.

1. Depuis l'écran d'accueil, sélectionnez Options > Vérifier l'étalonnage. L'écran affiche la solution tampon ou étalon à utiliser pour la vérification.


Remarque : Si plusieurs sondes sont connectées, sélectionnez la sonde à vérifier.

2. Préparez le tampon ou la solution étalon pour la vérification. Suivez les instructions qui s'affichent à l'écran de l'appareil de mesure ou reportez-vous au manuel d'utilisation de la sonde.
3. Appuyez sur Lecture pour lancer la vérification. L'appareil mesure la valeur de la solution de vérification. Une fois la mesure terminée, l'écran affiche le résultat.
4. Si la vérification est réussie , sélectionnez « Enregistrer » pour enregistrer le résultat.

Remarque : Si la vérification n'est pas acceptée, reportez-vous aux instructions de dépannage à l'écran de l'appareil de mesure ou du manuel d'utilisation de la sonde.

8.4 Ajout de l'identifiant (ID) de l'échantillon aux données de mesure


L'instrument peut enregistrer un nom d'échantillon (ID) avec les données de mesure enregistrées. Saisissez plusieurs noms d'échantillons dans l'instrument, puis sélectionnez le nom d'échantillon approprié avant de procéder à la mesure des échantillons. Lorsque plusieurs échantillons ont la même dénomination, l'instrument ajoute automatiquement des chiffres croissants à leur nom, par exemple « Nom échantillon (2) ».

1. Appuyez sur  et sélectionnez « Échantillons ».
2. Sélection d'une option.

Option	Description
Échantillon	Permet de sélectionner le nom de l'échantillon à enregistrer avec les mesures d'échantillons.
Créer un échantillon	Ouvre un écran permettant de saisir de nouveaux noms d'échantillons. Les noms d'échantillons peuvent inclure des lettres et des chiffres.
Suppression d'échantillons	Permet de supprimer les noms d'échantillons.

8.5 Ajout de l'identifiant (ID) utilisateur aux données enregistrées

L'instrument peut enregistrer un nom d'utilisateur (ID) avec les données enregistrées. Saisissez plusieurs noms d'utilisateurs dans l'instrument, puis sélectionnez le nom d'utilisateur approprié avant de procéder aux étalonnages ou aux mesures.


1. Appuyez sur  et sélectionnez « Réglages ». La liste des paramètres s'affiche.
2. Sélectionnez « Utilisateurs ».
3. Sélection d'une option.

Option	Description
Utilisateur	Permet de sélectionner le nom d'utilisateur. Le nom d'utilisateur sélectionné s'affiche sur l'écran du menu principal et est enregistré avec les données stockées.
Créer un utilisateur	Ouvre un écran permettant de saisir de nouveaux noms d'utilisateurs. Les noms d'utilisateurs peuvent inclure des lettres et des chiffres.
Supprimer les utilisateurs	Permet de supprimer les noms d'utilisateurs.

Section 9 Paramètres de l'appareil de mesure

Suivez les étapes ci-dessous pour modifier les paramètres généraux de l'appareil de mesure.

Remarque : La protection par mot de passe peut empêcher l'accès à certains menus. Reportez-vous au manuel d'utilisation en ligne pour plus d'informations sur le contrôle d'accès.

1. Appuyez sur  et sélectionnez « Réglages ». La liste des paramètres s'affiche.
2. Sélection d'une option.


Option	Description
[Nom de la sonde]	Permet de modifier les paramètres spécifiques à la sonde appliqués aux mesures, à l'étalonnage et aux vérifications. Reportez-vous à la section Paramètres de la sonde à la page 76 pour modifier les paramètres de la sonde connectée à l'appareil.
Mode de mesure	Permet de définir le moment où les mesures s'effectuent. Options : Appuyer pour lire, Continu ou Intervalle. Appuyer pour lire : l'échantillon est mesuré uniquement lorsque l'option « Lecture » est sélectionnée. Les données sont enregistrées automatiquement dans le journal des données quand les critères de stabilité sont atteints. Intervalle : l'échantillon est mesuré à intervalles réguliers pendant une durée spécifiée. Les données sont enregistrées automatiquement dans le journal des données. Continu : l'appareil mesure la valeur de l'échantillon en continu. Les données ne sont enregistrées dans le journal de données que lorsque l'utilisateur sélectionne « Enregistrer ».
Température	Permet de définir les unités de température en °C ou °F.
Affichage	Modifie les paramètres d'affichage. Options: Luminosité, Rétroéclairage et « Arrêt ». Luminosité: Modifie l'intensité du rétroéclairage. Options : 10 à 100 % (par défaut : 50 %). Rétroéclairage: Désactive le rétroéclairage lorsque l'appareil n'est pas utilisé pendant une durée spécifiée. Options : 15 secondes, 30 secondes, 1 minute, 5 minutes ou Jamais. « Arrêt »: désactive le lecteur lorsqu'il n'est pas utilisé pendant une durée spécifiée. Options : 1 minute, 2 minutes, 5 minutes, 10 minutes, 30 minutes, 1 heure, 2 heures ou Jamais.
Son	Règle l'appareil pour émettre un son lors des pressions de touches ou des notifications. Options : Appuyer sur touche, Alerte de stabilité, Rappel, Alerte d'erreur/avertissement ou Chargement terminé (batterie).
Utilisateurs	Sélectionne un utilisateur, ajoute un nouvel utilisateur ou supprime un utilisateur.

Option	Description
Date-Heure	Permet de définir le format de date/heure et de régler la date et l'heure sur l'appareil de mesure.
Langue	Permet de définir la langue de l'appareil de mesure.
Accès	Définit un mot de passe pour empêcher l'accès aux paramètres de la sonde, à certains paramètres de l'appareil (mode de mesure, température, langue) et aux mises à jour logicielle. Un utilisateur sans mot de passe ne peut pas supprimer les paramètres ou les données lorsque le contrôle d'accès est activé.
Diagnostics	Crée un fichier de diagnostic pour le support technique ou le service en cas de problème technique. L'utilisateur doit connecter le lecteur à un PC pour obtenir le fichier.

Section 10 Paramètres de la sonde

Lorsqu'une sonde est connectée à l'appareil de mesure, l'utilisateur peut modifier les paramètres de mesures, de l'étalonnage et de la vérification de la sonde. Reportez-vous aux étapes suivantes pour modifier les paramètres de la sonde connectée. Pour une description complète des paramètres, reportez-vous au manuel d'utilisation en ligne de l'appareil de mesure.

Remarque : La protection par mot de passe peut empêcher l'accès à certains menus. Reportez-vous au manuel d'utilisation en ligne pour obtenir plus d'informations sur les paramètres de sécurité.


1. Appuyez sur  et sélectionnez « Réglages ». La liste des paramètres s'affiche.
2. Sélectionnez le nom de la sonde.
3. Sélectionnez l'option applicable : Mesure, Étalonnage ou Vérification.

Section 11 Gestion des données

L'appareil de mesure enregistre les données des mesures des échantillons, des étalonnages et des vérifications comme suit :

- Mesures d'échantillons : l'appareil de mesure enregistre automatiquement les données de l'échantillon mesuré lorsque le mode de mesure est sur « Appuyer pour lire » ou « Intervalle ». Lorsque le mode de mesure est sur « Continu », l'utilisateur doit sélectionner « Enregistrer » pour enregistrer les données de l'échantillon mesuré. L'icône d'enregistrement s'affiche sur l'écran d'accueil lorsque les données de l'échantillon mesuré sont enregistrées dans le journal de données.
- Données d'étalonnage : l'utilisateur doit sélectionner « Enregistrer » pour enregistrer les données d'étalonnage. Les données d'étalonnage sont enregistrées dans l'appareil de mesure et dans la sonde Intellical.
- Données de vérification : l'utilisateur doit sélectionner « Enregistrer » pour enregistrer les données de vérification.

Procédez comme suit pour afficher, exporter ou supprimer des données.

1. Appuyez sur  et sélectionnez « Données », ou sélectionnez « Données » sur l'écran d'accueil.
2. Sélection d'une option.

Option	Description
Affichage des données	<p>Affiche les données figurant dans le journal de données. Les données les plus récentes sont affichées en premier. Appuyez sur la flèche vers le bas pour afficher plus de données. L'icône d'étalonnage s'affiche lorsque les données visualisées sont des données d'étalonnage. L'icône de vérification s'affiche lorsque les données visualisées sont des données de vérification.</p> <p>Pour afficher plus de détails sur un point de données, sélectionnez une ligne de données et appuyez sur la flèche de droite. Pour appliquer un filtre sur les données affichées, appuyez sur la flèche de gauche et sélectionnez un paramètre, un type de données ou une plage de dates.</p>

Option	Description
Exportation de données	<p>Envoie une copie de toutes les données du journal de données à un PC connecté ou à un périphérique USB. Pour connecter l'instrument à un PC, reportez-vous à la Figure 4 à la page 67. Pour connecter l'instrument à un périphérique USB standard, utilisez un adaptateur micro USB vers USB de type A. Vous pouvez également utiliser un périphérique USB doté d'un connecteur micro USB.</p> <p>Lorsque l'instrument se connecte à un PC, une fenêtre de l'Explorateur de fichiers s'ouvre sur un lecteur dénommé « HQ-Series ». Ouvrez le lecteur puis cherchez le sous-dossier portant le nom et le numéro de référence de l'appareil de mesure. Le fichier de données s'affiche au format .csv avec la date et l'heure comme nom de fichier. Enregistrez le fichier .csv sur le PC.</p> <p>Remarque : Si la fenêtre de l'Explorateur de fichiers ne s'ouvre pas automatiquement, ouvrez une fenêtre de l'Explorateur de fichiers et recherchez un lecteur portant le nom « HQ-Series ».</p>
Historique d'étalonnage	<p>Affiche les données d'étalonnage actuelles et précédentes d'une sonde connectée.</p>
Supprimer les données	<p>Efface toutes les données du journal de données. La protection par mot de passe peut empêcher la suppression de données.</p>

Section 12 Maintenance

▲ ATTENTION



Dangers multiples. Seul le personnel qualifié doit effectuer les tâches détaillées dans cette section du document.

12.1 Nettoyage de l'instrument

Nettoyez l'extérieur de l'instrument avec un chiffon humide, puis essuyez l'instrument en ne laissant aucune trace d'humidité.

12.2 Remplacement de la batterie

Remplacez la batterie si vous constatez qu'elle ne se charge pas ou qu'elle ne tient pas la charge. Utilisez uniquement la batterie et le chargeur de batterie fournis par le fabricant. Reportez-vous à la section [Installation de la batterie](#) à la page 65.



12.3 Préparation à l'expédition

L'instrument est doté d'une batterie au lithium-ion, laquelle est catégorisée comme un matériau dangereux et doit être conforme aux réglementations relatives aux marchandises dangereuses applicables à tous les types de transport. Suivez les procédures ci-dessous pour expédier l'instrument en vue de sa réparation ou de sa maintenance :

- Débranchez les sondes avant l'expédition.
- Nettoyez et décontaminez l'instrument avant l'envoi.
- Pour une sécurité optimale, retirez la batterie au lithium-ion de l'appareil et n'envoyez pas la batterie. S'il est nécessaire d'envoyer la batterie, laissez-la dans son boîtier n'installez pas le boîtier de la batterie sur l'instrument. Placez le boîtier de la batterie contenant la batterie dans un emballage séparé pour éviter tout contact avec des matériaux conducteurs (des métaux, par exemple).
- Envoyez l'instrument dans son emballage d'origine ou dans un nouvel emballage protecteur.

Section 13 Dépannage

13.1 Suivez les instructions de dépannage à l'écran

L'interface utilisateur contient des instructions de dépannage pour aider à corriger les problèmes qui peuvent survenir pendant les mesures, l'étalonnage et la vérification. Lorsqu'un problème survient, l'écran affiche l'icône d'erreur  ou d'avertissement  avec une brève description du problème. Appuyez sur la flèche de droite pour consulter les procédures recommandées pour corriger le problème.

Section 14 Pièces de rechange

AVERTISSEMENT



Risque de blessures corporelles. L'utilisation de pièces non approuvées comporte un risque de blessure, d'endommagement de l'appareil ou de panne d'équipement. Les pièces de rechange de cette section sont approuvées par le fabricant.

Remarque : Les numéros de référence de produit et d'article peuvent dépendre des régions de commercialisation. Prenez contact avec le distributeur approprié ou consultez le site web de la société pour connaître les personnes à contacter.

Pièces de rechange

Description	Article n°
Batterie, lithium-ion, 18650, 3200 mAh, anglais	LEZ015.99.00001
Batterie, lithium-ion, 18650, 3100 mAh, chinois	LEZ015.80.00001
Cordon USB 2.0 type A vers micro type B, 0,91 m	LEZ015.99.00002
Malette pour sondes standards	LEZ015.99.A001A
Malette pour sondes de terrain	LEZ015.99.A002A
Dragonne et bouchons anti-poussière	LEZ015.99.A005A
Béquille avec dragonne	LEZ015.99.A003A
Housse de protection	LEZ015.99.A004A
Adaptateur secteur USB, 5 Vcc, 2 A, 100–240 V CA, Etats-Unis	LEZ015.99.00006
Adaptateur secteur USB, 5 Vcc, 2 A, 100–240 V CA, UE + RU	LEZ015.99.00004
Adaptateur secteur USB, 5 Vcc, 2 A, 100–240 V CA, Chine	LEZ015.99.00005
Adaptateur secteur USB, 5 Vcc, 2 A, 100–240 V CA, Reste du monde	LEZ015.99.00007

Tabla de contenidos

- | | |
|---|--|
| 1 Manual del usuario en línea en la página 79 | 8 Funcionamiento en la página 92 |
| 2 Descripción general del producto en la página 79 | 9 Ajustes del medidor en la página 94 |
| 3 Especificaciones en la página 80 | 10 Ajustes de la sonda en la página 95 |
| 4 Información general en la página 81 | 11 Gestión de datos en la página 95 |
| 5 Instalación en la página 83 | 12 Mantenimiento en la página 96 |
| 6 Puesta en marcha en la página 88 | 13 Solución de problemas en la página 97 |
| 7 Interfaz del usuario y navegación en la página 89 | 14 Piezas de repuesto en la página 97 |

Sección 1 Manual del usuario en línea

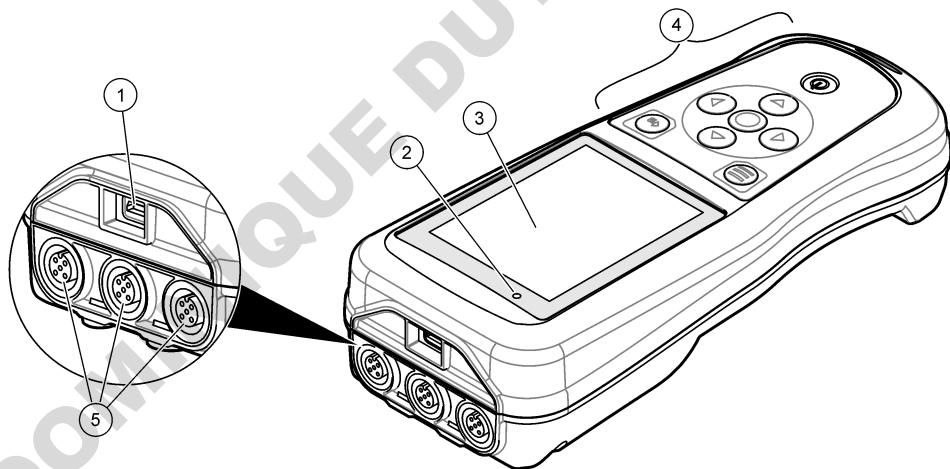
Este manual básico de usuario contiene menos información que el manual de usuario completo, que está disponible en la página web del fabricante.

Sección 2 Descripción general del producto

Los medidores portátiles de la serie HQ se utilizan con sondas digitales Intellical para medir uno o más parámetros de calidad del agua. Consulte la [Figura 1](#). El medidor reconoce automáticamente el tipo de sonda conectada. El medidor se puede conectar a un PC o dispositivo de almacenamiento USB para transferir los datos guardados en el medidor. El dongle de comunicación de Hach (HCD) opcional conecta el medidor a Claros.

Los medidores portátiles de la serie HQ se encuentran disponibles en ocho modelos. La [Tabla 1](#) muestra los tipos de sondas que se pueden conectar a cada modelo.

Figura 1 Descripción general del producto



1 Conector micro USB	4 Teclado
2 Indicador LED	5 Conector para sonda Intellical (se muestra la opción de tres conectores de sonda)
3 Pantalla	

Tabla 1 Modelos de medidores de la serie HQ

Modelo de medidor	Conectores de sonda	Sondas ¹ pH/mV/ORP	Sondas ² LDO/LBOD	Sondas de ³ conductividad	Sondas ⁴ ISE
HQ1110	1	✓			
HQ1130	1		✓		
HQ1140	1			✓	
HQ2100	1	✓	✓	✓	
HQ2200	2	✓	✓	✓	
HQ4100	1	✓	✓	✓	✓
HQ4200	2	✓	✓	✓	✓
HQ4300	3	✓	✓	✓	✓

Sección 3 Especificaciones

Las especificaciones están sujetas a cambios sin previo aviso.

Especificación	Detalles
Dimensiones (Prof. x An. x Al.)	22 x 9,7 x 6,3 cm (8,7 x 3,8 x 2,5 pulg.)
Peso	HQ1110, HQ1130, HQ1140 y HQ2100: 519 g (18,3 oz); HQ2200: 541 g (19,1 oz); HQ4100: 530 g (18,7 oz); HQ4200: 550 g (19,4 oz); HQ4300: 570 g (20,1 oz)
Grado de protección	IP67 con compartimento de pila instalado
Requisitos de alimentación (interna)	Pila recargable de iones de litio 18650 (18 mm de diámetro x 65 mm de longitud, cilíndrica), 3,7 V CC, 3200 mAh; duración de la pila: >1 semana con uso normal (10 lecturas/día, 5 días/semana en modo Continuo o Pulsar para medir, o >24 horas en modo Intervalo, con intervalos de 5 minutos y temporizador de apagado ≤15 minutos)
Requisitos de alimentación (externa)	Adaptador de alimentación USB de clase II: entrada de 100-240 V CA, 50/60 Hz; salida de adaptador de alimentación USB de 5 V CC a 2 A
Clase de protección del medidor	IEC Clase III (alimentación SELV [tensión extra-baja de seguridad]); adaptador de alimentación USB IEC Clase II (doble aislamiento)
Temperatura de funcionamiento	De 0 a 60 °C (32 a 140 °F)
Temperatura de carga	De 10 a 40 °C (50 a 104 °F)
Humedad de funcionamiento	90% (sin condensación)
Temperatura de almacenamiento	De -20 a 60 °C (-4 a 140 °F), humedad máxima relativa del 90% (sin condensación)
Conector de sonda	Conector M12 de 5 pines para sondas Intellical
Conector micro USB	El conector micro USB permite la conexión mediante cable USB y la alimentación de adaptador USB a través de un puerto USB.
Registro de datos (interno)	Serie HQ1000: 5000 datos; serie HQ2000: 10.000 datos; serie HQ4000: 100.000 datos

¹ Las sondas de pH/mV/ORP incluyen temperatura

² Las sondas LDO/LBOD incluyen temperatura

³ Las sondas de conductividad incluyen salinidad, TDS (sólidos totales disueltos), resistividad, temperatura

⁴ Sondass de ion selectivo como amoníaco, nitrato, cloruro, fluoruro y sodio

Especificación	Detalles
Almacenamiento de datos	Almacenamiento automático en los modos Pulse para medir o Intervalo. Almacenamiento manual en el modo Continuo.
Exportación de datos	Conexión USB al PC o al dispositivo de almacenamiento USB (limitada a la capacidad del dispositivo de almacenamiento)
Corrección de temperatura	Apagado, automático y manual (según el parámetro)
Certificaciones	Certificaciones CE, UKCA, FCC, ISED, RCM, KC, ETL: eficiencia energética US DOE/ NRCAN, RoHS
Garantía	Series HQ1000 y HQ2000: 1 año (EE. UU.), 2 años (UE); serie HQ4000: 3 años (EE. UU.), 3 años (UE)

Sección 4 Información general

El fabricante no será responsable en ningún caso de los daños resultantes de un uso inadecuado del producto o del incumplimiento de las instrucciones del manual. El fabricante se reserva el derecho a modificar este manual y los productos que describen en cualquier momento, sin aviso ni obligación. Las ediciones revisadas se encuentran en la página web del fabricante.

4.1 Información de seguridad

El fabricante no es responsable de ningún daño debido a un mal uso de este producto incluyendo, sin limitación, daños directos, fortuitos o circunstanciales y reclamaciones sobre los daños que no estén recogidos en la legislación vigente. El usuario es el único responsable de identificar los riesgos críticos y de instalar los mecanismos adecuados de protección de los procesos en caso de un posible mal funcionamiento del equipo.

Sírvase leer todo el manual antes de desembalar, instalar o trabajar con este equipo. Ponga atención a todas las advertencias y avisos de peligro. El no hacerlo puede provocar heridas graves al usuario o daños al equipo.

Asegúrese de que la protección proporcionada por el equipo no está dañada. No utilice ni instale este equipo de manera distinta a lo especificado en este manual.

4.2 Uso de la información relativa a riesgos

▲ PELIGRO

Indica una situación potencial o de riesgo inminente que, de no evitarse, provocará la muerte o lesiones graves.

▲ ADVERTENCIA

Indica una situación potencial o inminentemente peligrosa que, de no evitarse, podría provocar la muerte o lesiones graves.

▲ PRECAUCIÓN

Indica una situación potencialmente peligrosa que podría provocar una lesión menor o moderada.

AVISO

Indica una situación que, si no se evita, puede provocar daños en el instrumento. Información que requiere especial énfasis.

4.3 Etiquetas de precaución

Lea todas las etiquetas y rótulos adheridos al instrumento. En caso contrario, podrían producirse heridas personales o daños en el instrumento. Cada símbolo que aparezca en el instrumento se comentará en el manual con una indicación de precaución.

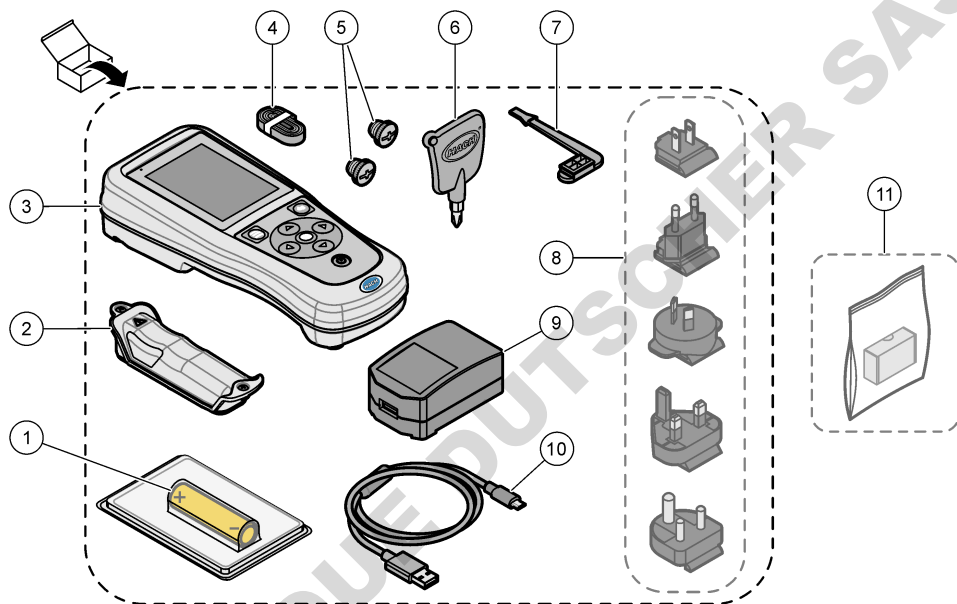


En Europa, el equipo eléctrico marcado con este símbolo no se debe desechar mediante el servicio de recogida de basura doméstica o pública. Devuelva los equipos viejos o que hayan alcanzado el término de su vida útil al fabricante para su eliminación sin cargo para el usuario.

4.4 Componentes del producto

Asegúrese de haber recibido todos los componentes. Consulte la [Figura 2](#). Si faltan artículos o están dañados, contacte con el fabricante o el representante de ventas inmediatamente.

Figura 2 Componentes del producto



1 Pila de iones de litio recargable	7 Tapón para puerto USB
2 Compartimento de la pila	8 Enchufes de alimentación opcionales
3 Medidor	9 Adaptador de alimentación USB
4 Correa de mano	10 Cable USB tipo A a micro USB, 1 m (3,3 pies)
5 Tapones de conector de sonda	11 Dongle de comunicación de Hach (HCD) opcional
6 Destornillador (Phillips n.º 1)	

4.5 Certificación

Reglamentación canadiense sobre equipos que provocan interferencias, IECS-003, Clase B:

Registros de pruebas de control del fabricante.

Este aparato digital de clase B cumple con todos los requerimientos de las reglamentaciones canadienses para equipos que producen interferencias.

Cet appareil numérique de classe B répond à toutes les exigences de la réglementation canadienne sur les équipements provoquant des interférences.

FCC Parte 15, Límites Clase "B"

Registros de pruebas de control del fabricante. Este dispositivo cumple con la Parte 15 de las normas de la FCC estadounidense. Su operación está sujeta a las siguientes dos condiciones:

1. El equipo no puede causar interferencias perjudiciales.
2. Este equipo debe aceptar cualquier interferencia recibida, incluyendo las interferencias que pueden causar un funcionamiento no deseado.


Los cambios o modificaciones a este equipo que no hayan sido aprobados por la parte responsable podrían anular el permiso del usuario para operar el equipo. Este equipo ha sido probado y encontrado que cumple con los límites para un dispositivo digital Clase B, de acuerdo con la Parte 15 de las Reglas FCC. Estos límites están diseñados para proporcionar una protección razonable contra las interferencias perjudiciales cuando el equipo está operando en un entorno comercial. Este equipo genera, utiliza y puede irradiar energía de radio frecuencia, y si no es instalado y utilizado de acuerdo con el manual de instrucciones, puede causar una interferencia dañina a las radio comunicaciones. La operación de este equipo en un área residencial es probable que produzca interferencias dañinas, en cuyo caso el usuario será requerido para corregir la interferencia bajo su propio cargo. Pueden utilizarse las siguientes técnicas para reducir los problemas de interferencia:

1. Aleje el equipo del dispositivo que está recibiendo la interferencia.
2. Cambie la posición de la antena del dispositivo que recibe la interferencia.
3. Pruebe combinaciones de las opciones descritas.

4.6 Dongle de comunicación de Hach (opcional)


El dongle de comunicación de Hach (HCD) opcional utiliza Bluetooth®⁵ de baja energía para comunicarse con Claros. Siga todas las indicaciones y advertencias del fabricante para instalar y utilizar el dispositivo. Consulte la documentación suministrada con el dongle.

4.7 Uso previsto



⚠ PRECAUCIÓN	
	Peligro por exposición química. Respete los procedimientos de seguridad del laboratorio y utilice el equipo de protección personal adecuado para las sustancias químicas que vaya a manipular. Consulte los protocolos de seguridad en las hojas de datos de seguridad actuales (MSDS/SDS).

Los medidores portátiles de la serie HQ están diseñados para su uso por personas que miden parámetros de calidad del agua en el laboratorio o en el campo. Los medidores de la serie HQ no tratan ni alteran el agua.

Sección 5 Instalación

⚠ PELIGRO	
	Peligros diversos. Solo el personal cualificado debe realizar las tareas descritas en esta sección del documento.

5.1 Seguridad de la pila de litio

⚠ ADVERTENCIA	
 	Peligro de incendio y explosión. Si se exponen a condiciones abusivas, las pilas de litio pueden calentarse, explotar o inflamarse y causar lesiones graves.

⁵ La palabra y los logotipos de Bluetooth® son marcas registradas propiedad de Bluetooth SIG, Inc. y cualquier uso de dichas marcas por parte de HACH se realiza bajo licencia.

- No utilice la pila si presenta daños visibles.
- No utilice la pila tras producirse un fuerte choque o vibración.
- No exponga la pila al fuego o a una fuente de calor.
- Mantenga la pila a temperaturas inferiores a 70 °C (158 °F).
- Mantenga la pila seca y alejada del agua.
- Evite el contacto entre los terminales de la pila positivo y negativo.
- No permita que personas no autorizadas toquen la pila.
- Deseche la pila de acuerdo con las normativas locales, regionales y nacionales.
- No utilice ni almacene la unidad en un lugar donde reciba luz solar directa, cerca de una fuente de calor o en entornos con una temperatura elevada, como un vehículo cerrado expuesto a la luz solar directa.

5.2 Instalación de la pila

▲ ADVERTENCIA



Peligro de incendio y explosión. Este equipo cuenta con una pila de litio de alto rendimiento, que es inflamable y puede provocar un incendio o explosión, incluso sin energía. Para mantener el nivel de seguridad que proporciona la carcasa del instrumento, la cubierta debe instalarse y asegurarse con el hardware suministrado.

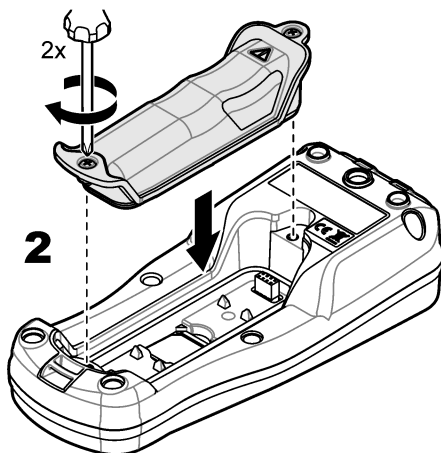
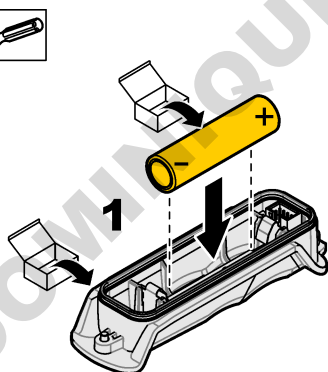
▲ ADVERTENCIA



Peligro de explosión e incendio. No se permite la sustitución de la pila. Utilice únicamente pilas suministradas por el fabricante del instrumento.

Utilice únicamente la pila recargable de iones de litio suministrada por el fabricante. Consulte la [Figura 3](#) para la instalación o retirada de la pila.

Figura 3 Instalación y retirada de la pila



5.3 Carga de la pila

⚠ PELIGRO



Peligro de electrocución. Si este equipo se usa en exteriores o en lugares potencialmente húmedos, debe utilizarse un disyuntor de interrupción de circuito por fallo a tierra (GFCI/GFI) para conectar el equipo a la alimentación eléctrica.

⚠ ADVERTENCIA



Peligro de incendio. Use solo la fuente de alimentación externa especificada para este instrumento.

⚠ ADVERTENCIA



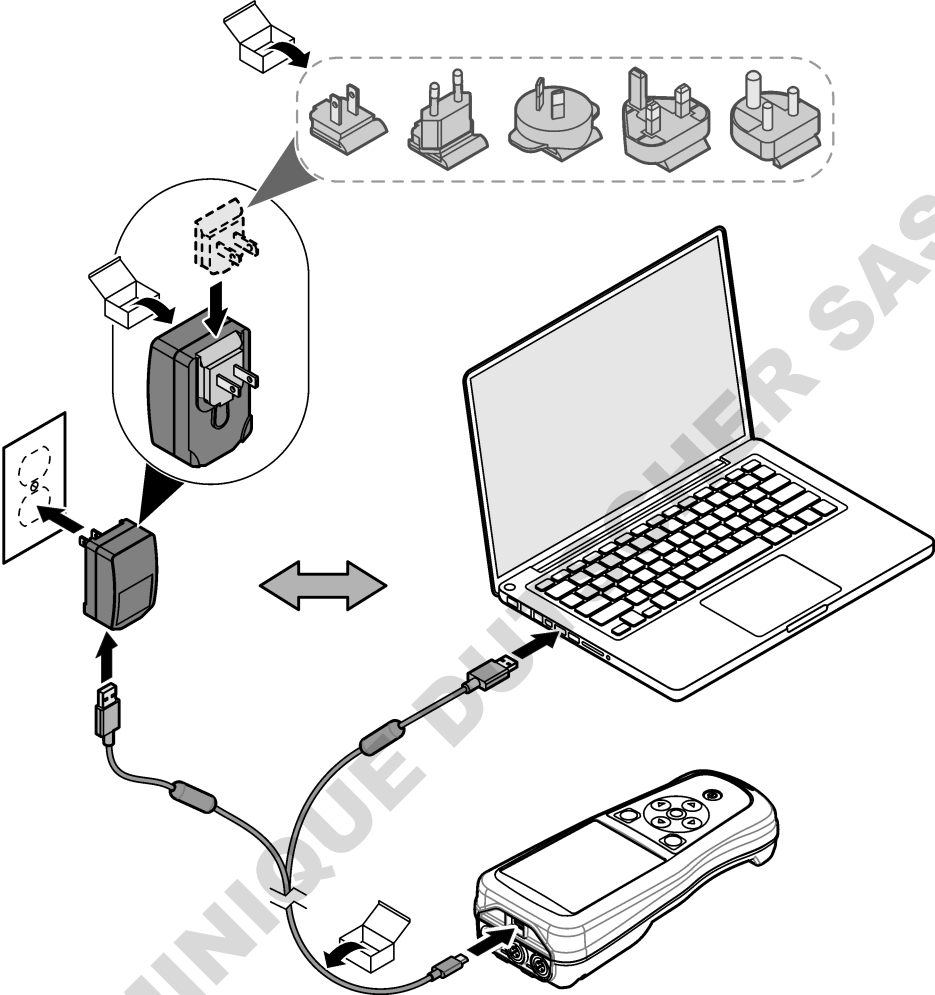
Peligro de descarga eléctrica. El equipo conectado de forma externa debe someterse a una evaluación estándar de seguridad aplicable.

AVISO

Instale siempre el tapón del puerto USB cuando no lo esté utilizando para mantener el puerto limpio y evitar la corrosión. No cargue la pila si el puerto USB está húmedo, sucio o presenta corrosión. Consulte [Instalación de los tapones de los puertos USB y de la sonda](#) en la página 87.

Utilice el cable USB y el adaptador de alimentación USB suministrados o un PC para cargar la pila. Consulte la [Figura 4](#). Cuando el instrumento se conecta a la fuente de alimentación y se pulsa la tecla de encendido/apagado, el indicador LED verde se enciende. El usuario puede utilizar el instrumento mientras se carga la pila. Una pila sin carga se repone por completo al cabo de unas 5 horas cuando se utiliza el adaptador de alimentación USB y el instrumento está apagado. Asegúrese de instalar el tapón del puerto USB cuando el puerto no esté en uso. Consulte la [Instalación de los tapones de los puertos USB y de la sonda](#) en la página 87.

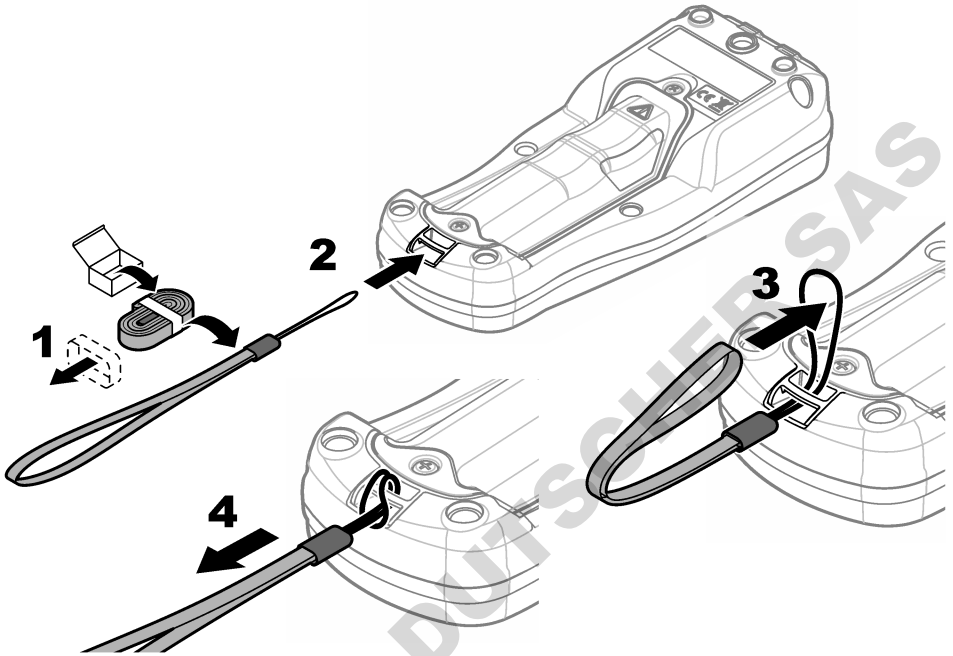
Figura 4 Conexión al adaptador de alimentación USB o a un PC



5.4 Instalación de la correa de mano

Instale la correa de mano para sostener el medidor de forma segura. Consulte la [Figura 5](#).

Figura 5 Instalación de la correa de mano



5.5 Instalación de los tapones de los puertos USB y de la sonda

Asegúrese de instalar los tapones en los puertos USB y de la sonda cuando los puertos no estén en uso para mantenerlos limpios y evitar la corrosión. Los tapones de los puertos deben estar instalados en los puertos vacíos para mantener el grado de protección IP de la carcasa del instrumento. Consulte la [Figura 6](#) y la [Figura 7](#).

Nota: En la [Figura 6](#) se muestra un medidor con tres puertos de sonda. Algunos modelos de medidores solo tienen uno o dos puertos de sonda.

Figura 6 Instalación del tapón en el conector de sonda

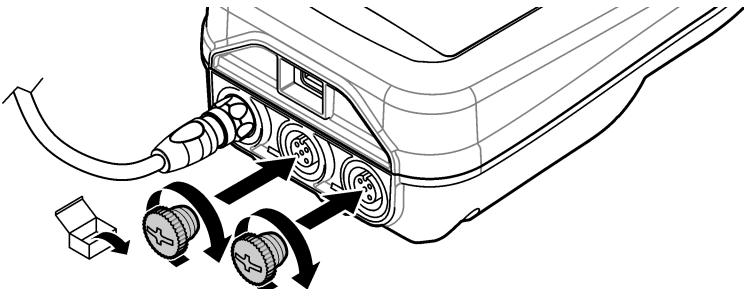
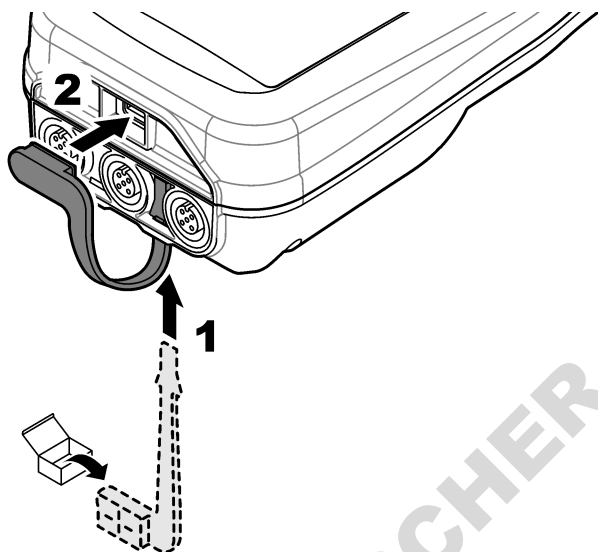



Figura 7 Instalación del tapón en el puerto USB



Sección 6 Puesta en marcha

6.1 Puesta en marcha del medidor

Pulse  para iniciar el medidor. Si el medidor no se inicia, asegúrese de que la pila esté instalada correctamente o que el medidor esté conectado a una fuente de alimentación. Consulte [Carga de la pila](#) en la página 85.

6.2 Selección de idioma

Cuando el medidor se enciende por primera vez o cuando se instala una pila nueva, la pantalla muestra la pantalla de selección de idioma. Seleccione el idioma que corresponde. El usuario también puede cambiar el idioma en el menú Configuración.

6.3 Ajuste de la fecha y la hora

Cuando el medidor se enciende por primera vez o cuando se instala una pila nueva, la pantalla muestra la pantalla Fecha/Hora. Siga los pasos que se indican a continuación para ajustar la fecha y la hora.

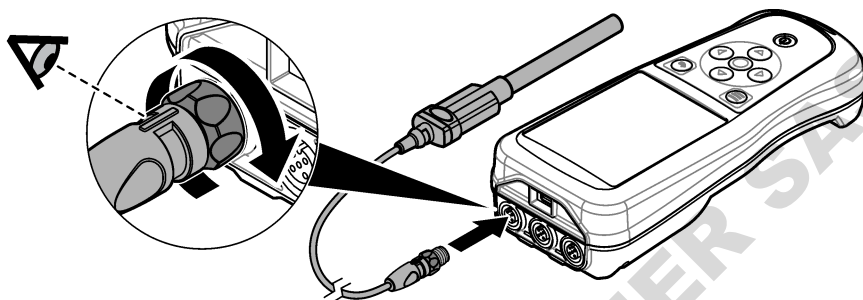
Nota: El usuario también puede cambiar la fecha y la hora en el menú Configuración.

1. Pulse las flechas arriba y abajo para seleccionar un formato de fecha.
2. Pulse la flecha derecha para acceder a la fecha y la hora.
3. Pulse las teclas de flecha arriba y abajo para cambiar la fecha y la hora.
4. Pulse la flecha derecha para resaltar la opción Guardar.
5. Seleccione Guardar para guardar la configuración.

6.4 Conexión de las sondas

Asegúrese de ajustar la hora y la fecha en el medidor antes de conectar una sonda. El registro de fecha y hora de las sondas se fija cuando se conecta por primera vez al medidor. Este registro de fecha y hora registra automáticamente el historial de la sonda y el momento en que se hacen mediciones. Consulte la [Figura 8](#) para conectar una sonda al medidor.

Figura 8 Conexión de una sonda al medidor



Sección 7 Interfaz del usuario y navegación

Tras la puesta en marcha, la interfaz del usuario muestra la pantalla de inicio. Consulte [Pantalla de inicio](#) en la página 89. Utilice el teclado para seleccionar las opciones disponibles y para cambiar los valores. Consulte [Teclado](#) en la página 91. Utilice el menú principal para ir a los ajustes y otros menús. Consulte [Menú principal](#) en la página 92.

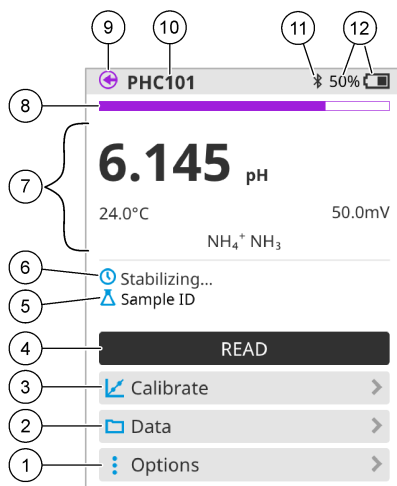
7.1 Pantalla de inicio

Se muestra la pantalla de inicio cuando el medidor está encendido y hay una sonda conectada al medidor. Consulte la [Figura 9](#). Los modelos HQ4100, HQ4200 y HQ4300 tienen una pantalla a color. En los modelos con dos o tres puertos de sonda, la pantalla muestra todas las sondas conectadas. Consulte la [Figura 10](#).

Las siguientes tareas están disponibles en la pantalla de inicio:

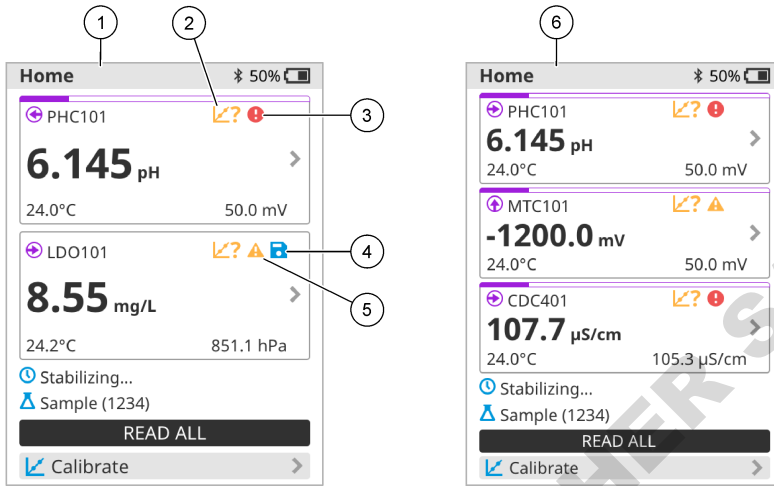
- Medir muestras
- Calibración de una sonda
- Verificar una calibración
- Definir los identificadores de las muestras
- Ver y administrar datos
- Visualizar instrucciones paso a paso

Figura 9 Ejemplo de pantalla de inicio: una sola sonda



1 Menú Opciones: permite acceder a las instrucciones y otros menús	7 Sección de valores de medición: muestra el valor medido, la temperatura y las unidades
2 Menú Datos: permite acceder para ver y administrar datos	8 Indicador de estado de estabilidad de la medición: muestra el estado de la medición
3 Botón Calibrar: inicia una calibración	9 Puerto de la sonda Intellical: muestra la ubicación del puerto de la sonda conectada
4 Botón Leer: mide el valor de la muestra o de la solución patrón	10 Nombre de la sonda Intellical: muestra el nombre del modelo de la sonda conectada
5 ID de muestra: indica el nombre de la muestra medida	11 Icono Bluetooth® (si se ha instalado el dongle de comunicación de Hach): muestra si hay una conexión Bluetooth activa
6 Área de mensajes: muestra el estado de la medición, el ID de la muestra, los errores y las advertencias	12 Indicador de carga de la pila: muestra el porcentaje de carga de la pila

Figura 10 Ejemplo de pantalla de inicio: dos o tres sondas

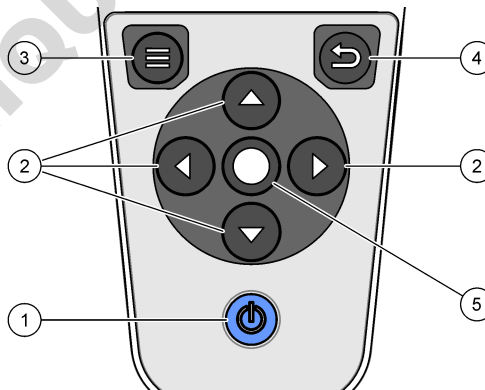


1 Pantalla de inicio con dos sondas	4 Icono de guardar: los datos de medición se encuentran en el registro de datos
2 Icono de calibración: indica que la calibración no se ha aceptado o ha caducado	5 Icono de advertencia (consulte Solución de problemas en la página 97)
3 Icono de error (consulte Solución de problemas en la página 97)	6 Pantalla de inicio con tres sondas

7.2 Teclado

Consulte la [Figura 11](#) para obtener una descripción del teclado.

Figura 11 Descripción del teclado



1 Tecla de encendido/apagado	4 Tecla de retroceso
2 Flechas de navegación	5 Tecla de selección
3 Tecla de menú	

7.3 Menú principal


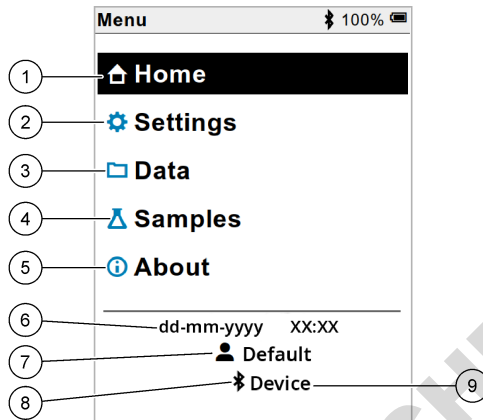
Pulse  para acceder al menú principal. Consulte la [Figura 12](#).

Figura 12 Descripción del menú principal



1 Pantalla Página de inicio	4 Menú ID de muestra (Samples)	7 ID de usuario
2 Menú Configuración (Settings)	5 Acerca de la pantalla del medidor	8 Icono Bluetooth® (si el dongle está instalado)
3 Menú Datos	6 Fecha y hora	9 ID de dispositivo Bluetooth® (si el dongle está instalado)

Sección 8 Funcionamiento

En esta sección se proporcionan instrucciones generales de funcionamiento del medidor. Para obtener instrucciones más completas, consulte las instrucciones en la pantalla del medidor o en el manual de usuario de la sonda.

8.1 Medición de muestras


Los pasos siguientes son pasos generales para medir muestras con el medidor.

1. Seleccione el modo de medición. Consulte [Ajustes del medidor](#) en la página 94.
2. Prepare la muestra para la medición. Consulte las instrucciones en la pantalla del medidor o en el manual de usuario de la sonda.
3. Mida la muestra como se indica a continuación:
 - **Modo Pulse para medir:** seleccione Leer (o Leer todo) para medir el valor de la muestra. El medidor guarda automáticamente el valor.
 - **Modo Intervalo:** seleccione Iniciar (o Iniciar todo) para iniciar las mediciones. El medidor mide y guarda automáticamente el valor de la muestra en los intervalos de tiempo especificados. Seleccione Detener (o Detener todo) para detener las mediciones.
 - **Modo continuo:** el medidor mide el valor de la muestra continuamente. Seleccione Guardar (o Guardar todo) para guardar el valor que aparece en la pantalla de visualización.

Después de cada medición, la pantalla muestra el resultado. El icono de guardado aparece en la pantalla si el resultado se guarda en el registro de datos.

8.2 Calibración de una sonda


Los pasos que se indican a continuación son pasos generales para la calibración de la sonda con el medidor. Para cambiar los ajustes de calibración, consulte [Ajustes de la sonda](#) en la página 95.

1. En la pantalla de inicio, seleccione  Calibrar. Si hay más de una sonda conectada, seleccione la sonda que desea calibrar. La pantalla muestra la solución (o soluciones) que se debe(n) utilizar para la calibración.
2. Prepare los tampones o las soluciones patrón para la calibración. Utilice las instrucciones en pantalla del medidor o del manual de usuario de la sonda.
3. Seleccione Leer para iniciar la calibración. El medidor mide el valor de la solución de calibración. Cuando finaliza la medición, la pantalla muestra el resultado.
4. Seleccione Leer para medir el valor de los demás tampones o soluciones patrón, si procede. Seleccione Guardar para guardar la calibración.

Nota: Si no es aceptada la calibración, consulte las instrucciones para solucionar problemas de la pantalla del medidor o del manual de usuario de la sonda.

8.3 Verificación de la calibración


Los pasos que se indican a continuación son pasos generales para verificar la calibración de la sonda con el medidor. Para cambiar los ajustes de verificación, consulte [Ajustes de la sonda](#) en la página 95.

1. En la pantalla de inicio, seleccione Opciones > Verificar calibración. La pantalla muestra la solución tampón o patrón que se debe utilizar para la verificación.
2. Prepare la solución tampón o patrón para la verificación. Utilice las instrucciones en pantalla del medidor o del manual de usuario de la sonda.
3. Pulse Leer para iniciar la verificación. El medidor mide el valor de la solución de verificación. Cuando finaliza la medición, la pantalla muestra el resultado.
4. Si la verificación se realiza correctamente , seleccione Guardar para guardar el resultado.

Nota: Si no se acepta la verificación, consulte las instrucciones para solucionar problemas de la pantalla del medidor o del manual de usuario de la sonda.

8.4 Inclusión del identificador de muestra con los datos de medición


El instrumento puede guardar un nombre de muestra (ID) con los datos de medición almacenados. Introduzca varios nombres de muestra en el instrumento y, a continuación, seleccione el nombre de muestra correspondiente antes de medir las muestras. El instrumento añade números a las muestras con el mismo nombre, por ejemplo, "Nombre de la muestra (2)".

1. Pulse  y seleccione Muestras.
2. Seleccione una opción.

Opción	Descripción
Muestra	Selecciona el nombre de la muestra que se va a guardar con las mediciones de la muestra.
Crear nueva ID muestra	Abre una pantalla para añadir nuevos nombres de muestra. Los nombres de las muestras pueden incluir letras y números.
Eliminar muestras	Elimina los nombres de las muestras.

8.5 Inclusión del identificador de usuario con los datos almacenados

El instrumento puede registrar un nombre de usuario (ID) con los datos almacenados. Introduzca varios nombres de usuario en el instrumento y, a continuación, seleccione el nombre de usuario correspondiente antes de iniciar las calibraciones o mediciones.


1. Pulse  y seleccione Configuración. Aparece la lista de ajustes.
2. Seleccione Usuarios.
3. Seleccione una opción.

Opción	Descripción
Usuario	Selecciona el nombre de usuario. El nombre de usuario seleccionado aparece en la pantalla del menú principal y se guarda con los datos almacenados.
Crear nuevo usuario	Abre una pantalla para añadir nuevos nombres de usuario. Los nombres de usuario pueden incluir letras y números.
Eliminar usuarios	Elimina los nombres de usuario.

Sección 9 Ajustes del medidor

Siga los pasos que se indican a continuación para cambiar los ajustes generales del medidor.

Nota: La protección mediante contraseña puede impedir el acceso a algunos menús. Consulte el manual del usuario en línea para obtener información sobre el control de acceso.

1. Pulse  y seleccione Configuración. Aparece la lista de ajustes.
2. Seleccione una opción.


Opción	Descripción
[Nombre de la sonda]	Cambia los ajustes específicos de la sonda para mediciones, calibración y verificación. Consulte Ajustes de la sonda en la página 95 para cambiar los ajustes de la sonda conectada.
Modo de medición	Establece cuándo se inician las mediciones. Opciones: Pulse para medir, Continuo o Intervalo. Pulse para medir: la muestra se mide solo cuando se pulsa Leer. Los datos se guardan automáticamente en el registro de datos cuando se cumplen los criterios de estabilidad. Intervalo: la muestra se mide a intervalos regulares durante un tiempo especificado. Los datos se guardan automáticamente en el registro de datos. Continuo: el medidor mide continuamente el valor de la muestra. Los datos solo se guardan en el registro de datos cuando el usuario selecciona Guardar.
Temperatura	Configura las unidades de temperatura en °C o °F.
Pantalla	Cambia la configuración de la pantalla. Opciones: Brillo, Retroiluminación y Desconexión. Brillo: Cambia la intensidad de la luz de fondo. Opciones: del 10 al 100% (valor predeterminado: 50%). Retroiluminación: Desactiva la luz de fondo cuando el medidor no se usa durante un tiempo específico. Opciones: 15 segundos, 30 segundos, 1 minuto, 5 minutos o Nunca. Desconexión: desactiva el medidor cuando no se utiliza durante un tiempo específico. Opciones: 1 minuto, 2 minutos, 5 minutos, 10 minutos, 30 minutos, 1 hora, 2 horas o Nunca.
Sonido	Configura el medidor para emitir un sonido al presionar teclas o notificaciones. Opciones: Pulsación de tecla, Alarma de estabilidad, Recordatorio, Error/Alerta de advertencia o Carga completa (pila).
Usuarios	Selecciona un usuario, agrega un nuevo usuario o elimina un usuario.
Fecha-Hora	Establece el formato de fecha/hora, la fecha y la hora en el medidor.
Idioma	Establece el idioma del medidor.

Opción	Descripción
Acceso	Establece una contraseña para evitar el acceso a la configuración de la sonda, algunas configuraciones del medidor (modo de medición, temperatura, idioma) y actualizaciones de software. Un usuario sin contraseña no puede eliminar configuraciones o datos cuando el control de acceso está activado.
Diagnóstico	Crea un archivo de diagnóstico para soporte técnico o servicio si ocurre un problema técnico. El usuario debe conectar el medidor a un PC para obtener el archivo.

Sección 10 Ajustes de la sonda

Cuando una sonda se conecta al medidor, el usuario puede cambiar la configuración de la sonda para las mediciones, calibraciones y verificaciones. Consulte los pasos siguientes para acceder a la configuración de la sonda conectada. Para obtener una descripción completa de la configuración, consulte el manual del usuario en línea del medidor.

Nota: La protección mediante contraseña puede impedir el acceso a algunos menús. Consulte el manual del usuario en línea para obtener información sobre la configuración de seguridad.


1. Pulse  y seleccione Configuración. Aparece la lista de ajustes.
2. Seleccione el nombre de la sonda.
3. Seleccione la opción que corresponda: Medición, Calibración o Verificación.

Sección 11 Gestión de datos

El medidor guarda los datos de las mediciones, calibraciones y verificaciones de las muestras de la siguiente manera:

- Mediciones de muestras: el medidor guarda automáticamente los datos de la muestra medida cuando el modo de medición es Pulse para medir o Intervalo. Cuando el modo de medición es Modo continuo, el usuario debe seleccionar Guardar para guardar los datos de la muestra medida. El icono de guardado aparece en la pantalla de inicio cuando los datos de la muestra medida están en el registro de datos.
- Datos de calibración: el usuario debe seleccionar Guardar para guardar los datos de calibración. Los datos de calibración se guardan en el medidor y en la sonda Intellical.
- Datos de verificación: el usuario debe seleccionar Guardar para guardar los datos de verificación.

Siga los pasos que se indican a continuación para ver, exportar o eliminar datos.

1. Pulse  y seleccione Datos, o seleccione Datos en la pantalla de inicio.
2. Seleccione una opción.

Opción	Descripción
Visualizar datos	Muestra los datos en el registro de datos. Los datos más recientes se muestran en primer lugar. Pulse la flecha abajo para ver más datos. El icono de calibración indica cuándo el tipo de datos corresponde a datos de calibración. El icono de verificación indica cuándo el tipo de datos corresponde a datos de verificación. Para ver más detalles de un punto de datos, seleccione una fila de datos y pulse la flecha derecha. Para aplicar un filtro y mostrar únicamente los datos filtrados, pulse la flecha izquierda y seleccione un parámetro, el tipo de datos o el intervalo de fechas.

Opción	Descripción
Exportar datos	<p>Envía una copia de todos los datos del registro de datos a un PC conectado o a un dispositivo de almacenamiento USB. Para conectar el instrumento a un PC, consulte la Figura 4 en la página 86. Para conectar el instrumento a un dispositivo de almacenamiento USB estándar, utilice un adaptador micro USB a USB tipo A. También puede utilizar un dispositivo de almacenamiento USB que tenga un conector micro USB.</p> <p>Cuando el instrumento se conecta a un PC, se abre una ventana del Explorador de archivos de una unidad llamada "HQ-Series". Expanda la unidad y busque una subcarpeta con el nombre del medidor y el número de serie. El archivo de datos se muestra como un archivo .csv con la fecha y la hora como nombre del archivo. Guarde el archivo .csv en una ubicación del PC.</p> <p><i>Nota: Si la ventana del Explorador de archivos no se abre automáticamente, abra una y busque una unidad llamada "HQ-Series".</i></p>
Historial de calibración	Muestra los datos de calibración actuales y anteriores de una sonda conectada.
Eliminar datos	Borra todos los datos del registro de datos. La protección mediante contraseña puede impedir el acceso a la opción de eliminación de datos.

Sección 12 Mantenimiento

▲ PRECAUCIÓN



Peligros diversos. Solo el personal cualificado debe realizar las tareas descritas en esta sección del documento.

12.1 Limpieza del instrumento

Limpie el exterior del instrumento con un paño húmedo y una solución jabonosa suave y, a continuación, seque el instrumento según sea necesario.

12.2 Sustitución de la pila

Sustituya la pila cuando no se cargue o no mantenga la carga. Utilice solamente la pila y el cargador de pilas suministrados por el fabricante. Consulte [Instalación de la pila](#) en la página 84.



12.3 Preparación para el envío

El instrumento contiene una pila de iones de litio, que está regulada como material peligroso y debe cumplir con la normativa sobre mercancías peligrosas para todo tipo de transporte. Siga los procedimientos que se indican a continuación a fin de enviar el instrumento para reparación o mantenimiento:

- Desconecte las sondas antes de enviarlas.
- Limpie y descontamine el instrumento antes de enviarlo.
- Para mayor seguridad, extraiga la pila de iones de litio del dispositivo y no la envíe. Si es necesario enviar la pila, manténgala instalada en la carcasa de la pila, pero no coloque la carcasa de la pila en el instrumento. Coloque la carcasa con la pila instalada en un embalaje independiente para evitar el contacto con materiales conductores de electricidad (por ejemplo, metales).
- Envíe el instrumento en el paquete original o en un paquete alternativo protector.

Sección 13 Solución de problemas

13.1 Uso de las instrucciones en pantalla para solucionar problemas

La interfaz de usuario dispone de instrucciones para ayudar a solucionar problemas que puedan producirse durante las mediciones, calibraciones y verificaciones. Cuando se produce un problema, la pantalla muestra el icono de error  o advertencia  con una breve descripción del problema. Pulse la flecha derecha para ver los procedimientos recomendados que le ayudarán a solucionar el problema.

Sección 14 Piezas de repuesto

ADVERTENCIA



Peligro de lesión personal. El uso de piezas no aprobadas puede causar lesiones personales, daños al instrumento o un mal funcionamiento del equipo. Las piezas de repuesto que aparecen en esta sección están aprobadas por el fabricante.

Nota: Las referencias de los productos pueden variar para algunas regiones de venta. Póngase en contacto con el distribuidor correspondiente o visite la página web de la empresa para obtener la información de contacto.

Piezas de repuesto

Descripción	Referencia
Batería de iones de litio, 18650, 3200 mAh, idioma inglés	LEZ015.99.00001
Batería de iones de litio, 18650, 3100 mAh, idioma chino	LEZ015.80.00001
Cable, conector macho USB 2.0 tipo A a conector macho micro USB tipo B, 0,91 m (3 pies)	LEZ015.99.00002
Maletín de campo para sondas estándar	LEZ015.99.A001A
Maletín de campo para sondas robustas	LEZ015.99.A002A
Correa de mano y conectores antipolvo	LEZ015.99.A005A
Soporte con correa de mano	LEZ015.99.A003A
Guante protector	LEZ015.99.A004A
Adaptador de alimentación USB, 5 V CC, 2 A, 100–240 V CA, EE. UU.	LEZ015.99.00006
Adaptador de alimentación USB, 5 V CC, 2 A, 100–240 V CA, UE + Reino Unido	LEZ015.99.00004
Adaptador de alimentación USB, 5 V CC, 2 A, 100–240 V CA, China	LEZ015.99.00005
Adaptador de alimentación USB, 5 V CC, 2 A, 100–240 V CA, resto del mundo	LEZ015.99.00007

Índice

- | | |
|---|--|
| 1 Manual do utilizador online na página 98 | 8 Funcionamento na página 111 |
| 2 Descrição geral do produto na página 98 | 9 Configurações do medidor na página 113 |
| 3 Especificações na página 99 | 10 Definições da sonda na página 114 |
| 4 Informação geral na página 100 | 11 Gestão de dados na página 114 |
| 5 Instalação na página 102 | 12 Manutenção na página 115 |
| 6 Arranque na página 107 | 13 Resolução de problemas na página 116 |
| 7 Interface do utilizador e navegação na página 108 | 14 Peças de substituição na página 116 |

Secção 1 Manual do utilizador online

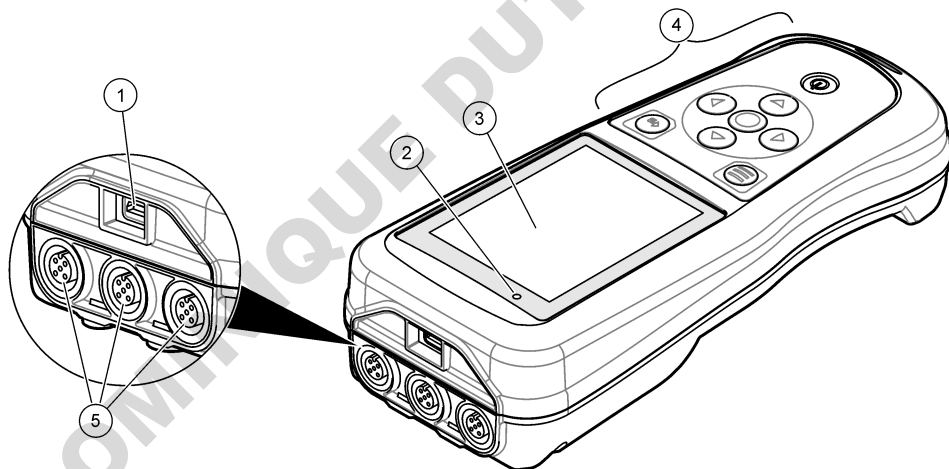
Este manual básico do utilizador contém menos informações do que o manual do utilizador, que está disponível no website do fabricante.

Secção 2 Descrição geral do produto

Os medidores portáteis da série HQ são utilizados com as sondas digitais Intellical para medir um ou mais parâmetros de qualidade da água. Consulte [Figura 1](#). O medidor reconhece automaticamente o tipo de sonda ligada. O medidor pode ser ligado a um PC ou dispositivo de armazenamento USB para transferir dados guardados no medidor. O dongle de comunicação Hach (HCD) opcional liga o medidor a Claros.

Os medidores portáteis da série HQ estão disponíveis em oito modelos. A [Tabela 1](#) mostra os tipos de sondas que podem ser ligadas a cada modelo.

Figura 1 Descrição geral do produto



1 Conector micro USB	4 Teclado
2 Indicador LED	5 Portas da sonda Intellical (apresentada a opção de três portas de sonda)
3 Display	

Tabela 1 Modelos de medidores da série HQ

Modelo do medidor	Conectores de sonda	Sondas de pH/mV/ORP ¹	Sondas de LDO/LBOD ²	Sondas de condutividade ³	Sondas de ISE ⁴
HQ1110	1	✓			
HQ1130	1		✓		
HQ1140	1			✓	
HQ2100	1	✓	✓	✓	
HQ2200	2	✓	✓	✓	
HQ4100	1	✓	✓	✓	✓
HQ4200	2	✓	✓	✓	✓
HQ4300	3	✓	✓	✓	✓

Secção 3 Especificações

As especificações podem ser alteradas sem aviso prévio.

Especificação	Detalhes
Dimensões (C x L x A)	22 x 9,7 x 6,3 cm (8,7 x 3,8 x 2,5 pol.)
Peso	HQ1110, HQ1130, HQ1140 e HQ2100: 519 g (18,3 oz); HQ2200: 541 g (19,1 oz); HQ4100: 530 g (18,7 oz); HQ4200: 550 g (19,4 oz); HQ4300: 570 g (20,1 oz)
Classificação da estrutura	IP67 com compartimento de bateria instalado
Requisitos de alimentação (interna)	Bateria de iões de lítio recarregável 18650 (18 mm de diâmetro x 65 mm de comprimento, cilíndrica), 3,7 V CC, 3200 mAh; vida útil da bateria: > 1 semana com utilização típica (10 leituras/dia, 5 dias/semana no modo Contínuo ou Premir para ler, ou > 24 horas no modo Intervalo com intervalos de 5 minutos e temporizador de encerramento ≤ 15 minutos)
Requisitos de alimentação (externa)	Transformador USB de Classe II: 100–240 V CA, entrada de 50/60 Hz; 5 V CC com saída do transformador USB de 2 A
Classe de proteção do medidor	IEC Classe III (alimentação SELV [tensão extra-baixa separada/de segurança]); o transformador USB é IEC Classe II (com isolamento duplo)
Temperatura de funcionamento	0 a 60 °C (32 a 140 °F)
Temperatura de carregamento	10 a 40 °C (50 a 104 °F)
Humidade de funcionamento	90% (sem condensação)
Temperatura de armazenamento	-20 a 60 °C (-4 a 140 °F) máximo de 90% de humidade relativa (sem condensação)
Conector de sonda	Conector M12 de 5 pinos para sondas Intellical
Conector micro USB	O conector micro USB permite a conectividade de cabo USB e transformador USB.
Registo de dados (interno)	Série HQ1000: 5000 pontos de dados; série HQ2000: 10 000 pontos de dados; série HQ4000: 100 000 pontos de dados

¹ As sondas de pH/mV/ORP incluem temperatura

² As sondas de LDO/LBOD incluem temperatura

³ As sondas de condutividade incluem salinidade, TDS (total de sólidos dissolvidos), resistividade, temperatura

⁴ Sondagens seletivas de iões, como amoníaco, nitrato, cloreto, fluoreto, sódio

Especificação	Detalhes
Armazenamento de dados	Armazenamento automático nos modos Premir para ler e Intervalo. Armazenamento manual no modo Contínuo.
Exportação de dados	Ligação USB a PC ou dispositivo de armazenamento USB (limitado à capacidade do dispositivo de armazenamento)
Correção de temperatura	Desligado, automático e manual (específico dos parâmetros)
Certificações	CE, UKCA, FCC, ISED, RCM, KC, verificação ETL: eficiência energética US DOE/NRCan, RoHS
Garantia	Séries HQ1000 e HQ2000: 1 ano (EUA), 2 anos (UE); série HQ4000: 3 anos (EUA), 3 anos (UE)

Secção 4 Informação geral

Em caso algum o fabricante será responsável por danos resultantes de qualquer utilização inadequada do produto ou do incumprimento das instruções deste manual. O fabricante reserva-se o direito de, a qualquer altura, efetuar alterações neste manual ou no produto nele descrito, sem necessidade, ou obrigação, de o comunicar. As edições revistas encontram-se disponíveis no website do fabricante.

4.1 Informações de segurança

O fabricante não é responsável por quaisquer danos resultantes da aplicação incorrecta ou utilização indevida deste produto, incluindo, mas não limitado a, danos directos, incidentais e consequenciais, não se responsabilizando por tais danos ao abrigo da lei aplicável. O utilizador é o único responsável pela identificação de riscos de aplicação críticos e pela instalação de mecanismos adequados para a protecção dos processos na eventualidade de uma avaria do equipamento.

Leia este manual até ao fim antes de desembalar, programar ou utilizar o aparelho. Dê atenção a todos os avisos relativos a perigos e precauções. A não leitura destas instruções pode resultar em lesões graves para o utilizador ou em danos para o equipamento.

Certifique-se de que a protecção oferecida por este equipamento não é comprometida. Não o utilize ou instale senão da forma especificada neste manual.

4.2 Uso da informação de perigo

▲ PERIGO

Indica uma situação de perigo potencial ou eminente que, se não for evitada, resultará em morte ou lesões graves.

▲ ADVERTÊNCIA

Indica uma situação de perigo potencial ou eminente que, se não for evitada, poderá resultar em morte ou lesões graves.

▲ AVISO

Indica uma situação de perigo potencial, que pode resultar em lesões ligeiras a moderadas.

ATENÇÃO

Indica uma situação que, se não for evitada, pode causar danos no equipamento. Informação que requer ênfase especial.

4.3 Etiquetas de precaução

Leia todos os avisos e etiquetas do equipamento. A sua não observação pode resultar em lesões para as pessoas ou em danos para o aparelho. Um símbolo no aparelho é referenciado no manual com uma frase de precaução.

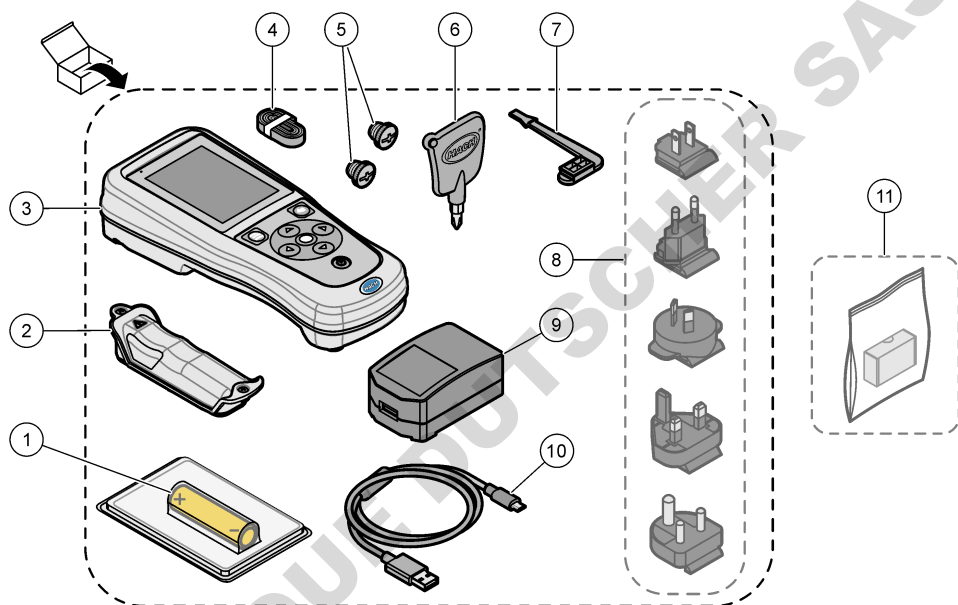


O equipamento eléctrico marcado com este símbolo não pode ser eliminado nos sistemas europeus de recolha de lixo doméstico e público. Devolva os equipamentos antigos ou próximos do final da sua vida útil ao fabricante para que os mesmos sejam eliminados sem custos para o utilizador.

4.4 Componentes do produto

Certifique-se de que recebeu todos os componentes. Consulte [Figura 2](#). Se algum dos itens estiver em falta ou apresentar danos, contacte imediatamente o fabricante ou um representante de vendas.

Figura 2 Componentes do produto



1	Bateria de iões de lítio recarregável	7	Ficha da porta USB
2	Compartimento de bateria	8	Fichas de alimentação opcionais
3	Medidor	9	Transformador USB
4	Correia de mão	10	Cabo USB, tipo A para micro, 1 m (3,3 pés)
5	Fichas do conector de sonda	11	Dongle de comunicação Hach (HCD) opcional
6	Chave de parafusos (Phillips n.º 1)		

4.5 Certificação

Regulamento Canadano de Equipamentos Causadores de Interferências, ICES-003, Classe A:

Os registos de suporte dos testes estão na posse do fabricante.

Este aparelho de Classe B obedece a todos os requisitos dos Regulamentos Canadianos de Equipamentos Causadores de Interferências.

Cet appareil numérique de classe B répond à toutes les exigences de la réglementation canadienne sur les équipements provoquant des interférences.

Parte 15 FCC, Limites da Classe "B"

Os registos de suporte dos testes estão na posse do fabricante. Este aparelho está conforme com a Parte 15 das Normas FCC. O funcionamento está sujeito às duas condições seguintes:

1. O equipamento não provoca interferências nocivas.
2. O equipamento deve aceitar qualquer interferência recebida, incluindo interferências suscetíveis de determinar um funcionamento indesejado.


Alterações ou modificações efetuadas nesta unidade que não sejam expressamente aprovadas pela entidade responsável pela conformidade podem retirar ao utilizador a legitimidade de usar o aparelho. Este equipamento foi testado e considerado conforme relativamente aos limites para os dispositivos digitais de Classe B, de acordo com a Parte 15 das Normas FCC. Estes limites estão desenhados para fornecer proteção razoável contra interferências prejudiciais quando o equipamento for operado num ambiente comercial. Este equipamento gera, utiliza e pode irradiar energia de radiofrequência e, se não for instalado e utilizado em conformidade com o manual de instruções, poderá provocar interferências nocivas com comunicações por rádio. É provável que a utilização deste equipamento numa zona residencial provoque interferências nocivas. Neste caso, o utilizador deverá corrigi-las pelos seus próprios meios. As técnicas a seguir podem ser utilizadas para diminuir os problemas de interferência:

1. Afaste o equipamento do dispositivo que está a receber a interferência.
2. Reposicione a antena de receção do dispositivo que está a receber a interferência.
3. Experimente combinações das sugestões anteriores.

4.6 Dongle de comunicação Hach (opcional)

O dongle de comunicação Hach (HCD) opcional utiliza Bluetooth®⁵ de baixo consumo para comunicar com Claros. Siga todas as orientações e avisos do fabricante para instalar e utilizar o dispositivo. Consulte a documentação fornecida com o HCD.

4.7 Utilização prevista



▲ AVISO	
	Perigo de exposição a produtos químicos. Siga os procedimentos de segurança do laboratório e utilize todo o equipamento de proteção pessoal adequado aos produtos químicos manuseados. Consulte as fichas de dados sobre segurança de materiais (MSDS/SDS) atuais para protocolos de segurança.

Os medidores portáteis da série HQ destinam-se a ser utilizados por indivíduos que medem parâmetros de qualidade da água no laboratório ou no terreno. Os medidores da série HQ não tratam nem alteram a água.

Secção 5 Instalação

▲ PERIGO	
	Vários perigos. Apenas pessoal qualificado deverá realizar as tarefas descritas nesta secção do documento.



5.1 Segurança relativa à bateria de lítio

▲ ADVERTÊNCIA	
 	Perigo de incêndio e explosão. Caso sejam expostas a condições abusivas, as pilhas de lítio poderão ficar quentes, explodir ou entrar em combustão e causar lesões graves.

⁵ A marca denominativa e os logótipos Bluetooth® são marcas comerciais registadas propriedade da Bluetooth SIG, Inc. e qualquer utilização de tais marcas pela HACH é efetuada sob licença.

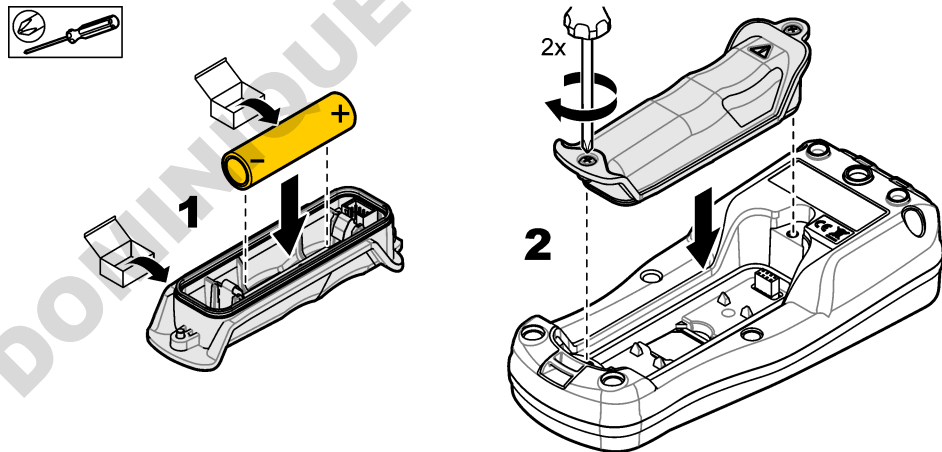
- Não utilize a pilha se existirem danos visíveis.
- Não utilize a pilha após a ocorrência de vibrações ou de choques fortes.
- Não exponha a bateria a fogo ou ignição.
- Mantenha a bateria a temperaturas inferiores a 70 °C (158 °F).
- Mantenha a pilha seca e afastada de água.
- Evite o contacto entre os terminais positivo e negativo da pilha.
- Não permita que pessoas não autorizadas toquem na pilha.
- Elimine a pilha de acordo com os regulamentos locais, regionais e nacionais.
- Não utilize nem armazene o equipamento sob a luz direta do sol, nem junto a uma fonte de calor ou em ambientes de alta temperatura, como um veículo fechado exposto à luz direta do sol.

5.2 Instalação da bateria

⚠ ADVERTÊNCIA	
	<p>Perigo de incêndio e explosão. Este equipamento contém uma pilha de lítio de alta densidade de energia que pode entrar em combustão e causar um incêndio ou uma explosão, mesmo sem corrente. Para manter a segurança providenciada pela estrutura do equipamento, as respectivas tampas têm de ser instaladas e protegidas utilizando o hardware fornecido.</p>
⚠ ADVERTÊNCIA	
	<p>Perigo de explosão e incêndio. Não é permitido substituir as pilhas. Utilize apenas pilhas fornecidas pelo fabricante do equipamento.</p>

Utilize apenas a bateria de íões de lítio recarregável fornecida pelo fabricante. Consulte [Figura 3](#) para obter informações sobre a instalação ou remoção da bateria.

Figura 3 Instalação e remoção da bateria



5.3 Carregar a bateria

⚠ PERIGO



Perigo de electrocussão. Se este equipamento for utilizado ao ar livre ou em locais com humidade, deve ser utilizado um Interruptor com ligação à terra (GFCI/GFI) para ligar o equipamento à respectiva fonte de alimentação.

⚠ ADVERTÊNCIA



Perigo de incêndio. Use apenas a fonte de alimentação externa especificada para este equipamento.

⚠ ADVERTÊNCIA



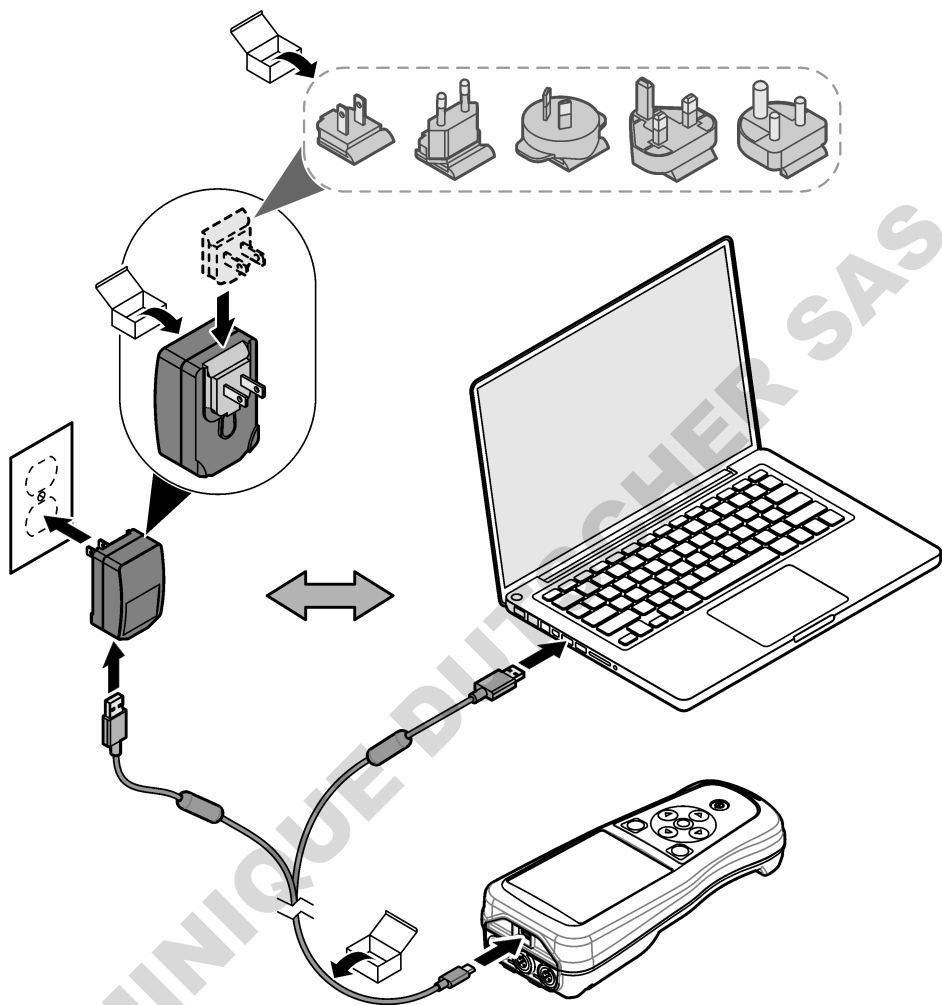
Perigo de choque eléctrico. O equipamento ligado externamente deve ser avaliado segundo as normas nacionais aplicáveis.

ATENÇÃO

Instale sempre o bujão da porta USB quando a porta não estiver a ser utilizada para manter a porta limpa e evitar corrosão. Não carregue a bateria se a porta USB estiver húmida, suja ou corroída. Consulte [Instalar os bujões das portas USB e de sonda](#) na página 106.

Utilize o cabo USB e o transformador USB fornecidos ou um PC para carregar a bateria. Consulte [Figura 4](#). Quando o equipamento se liga à alimentação e a tecla ligar/desligar é premida, o indicador LED verde acende-se. O utilizador pode utilizar o equipamento enquanto a bateria carrega. Uma bateria sem carga fica totalmente carregada após cerca de 5 horas quando o transformador USB é utilizado e o equipamento está desligado. Certifique-se de que instala o bujão da porta USB quando a porta não estiver a ser utilizada. Consulte [Instalar os bujões das portas USB e de sonda](#) na página 106.

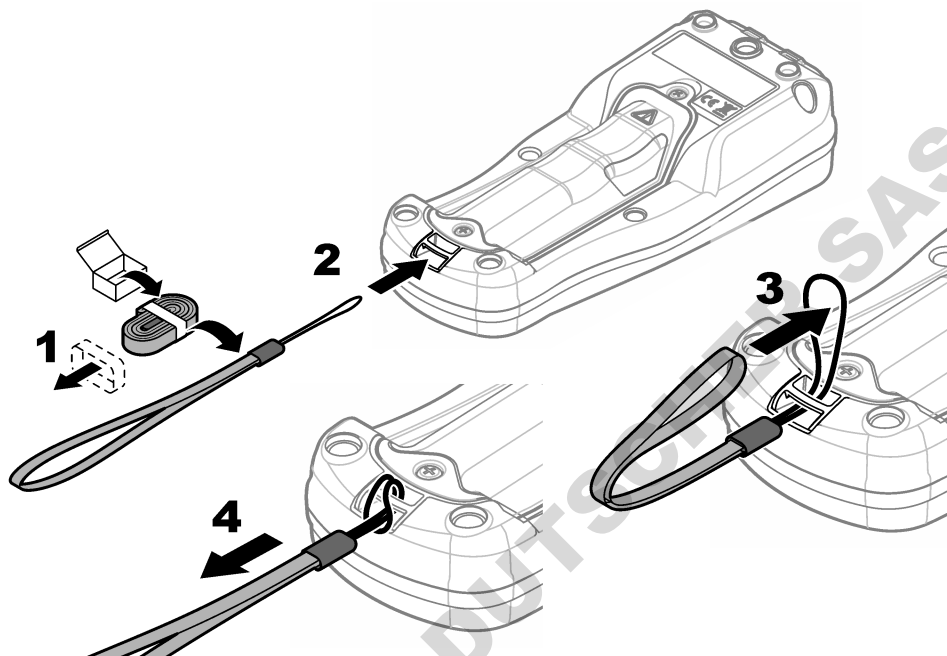
Figura 4 Ligar ao transformador USB ou a um PC



5.4 Instalar a correia

Instale a correia para segurar o medidor com segurança. Consulte [Figura 5](#).

Figura 5 Instalação da correia



5.5 Instalar os bujões das portas USB e de sonda

Certifique-se de que instala os bujões da porta USB e da(s) porta(s) de sonda quando as portas não estiverem a ser utilizadas para as manter limpas e evitar corrosão. Os bujões das portas têm de estar instalados nas portas vazias para manter a classificação da estrutura do equipamento.

Consulte [Figura 6](#) e [Figura 7](#).

Nota: [Figura 6](#) mostra um medidor com três portas de sonda. Alguns modelos de medidores têm apenas uma ou duas portas de sonda.

Figura 6 Instalação do bujão da porta

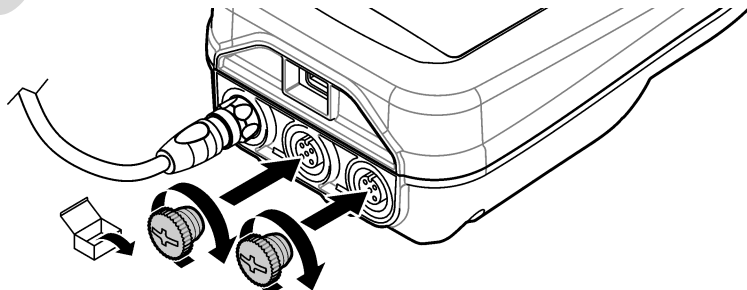
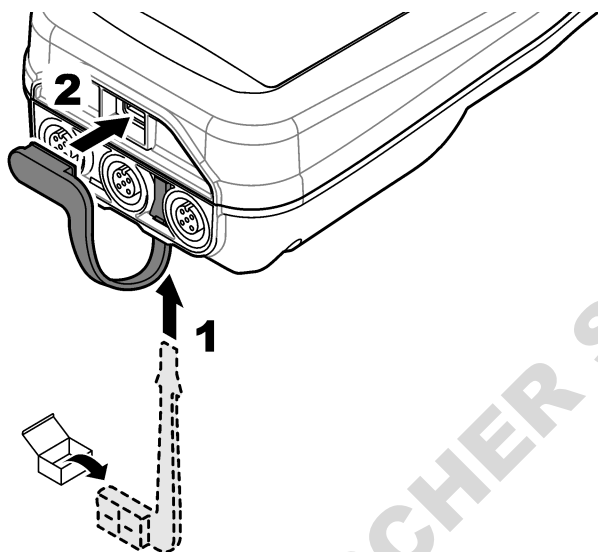



Figura 7 Instalação do bujão da porta USB



Secção 6 Arranque

6.1 Ligar o medidor

Prima  para ligar o medidor. Se o medidor não ligar, certifique-se de que a bateria está instalada corretamente ou que o medidor está ligado a uma fonte de alimentação. Consulte [Carregar a bateria](#) na página 104.

6.2 Selecionar o idioma

Quando o medidor é ligado pela primeira vez ou quando é instalada uma nova bateria, o display apresenta o ecrã de seleção do idioma. Selecione o idioma aplicável. O utilizador também pode alterar o idioma a partir do menu Definições.

6.3 Definir a data e a hora

Quando o medidor é ligado pela primeira vez ou quando é instalada uma nova bateria, o display apresenta o ecrã Data/hora. Execute os passos que se seguem para definir a data e a hora.

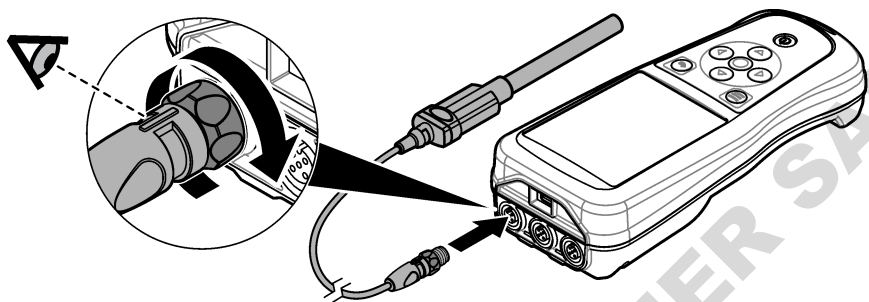
Nota: O utilizador também pode alterar a data e a hora a partir do menu Definições.

1. Prima as teclas de seta para cima e para baixo para selecionar um formato de data.
2. Prima a seta para a direita para ir para a data e hora.
3. Prima as teclas de seta para cima e para baixo para alterar a data e a hora.
4. Prima a seta para a direita para realçar Guardar.
5. Selecione Guardar para manter as definições.

6.4 Ligar uma sonda

Certifique-se de que define a hora e a data no medidor antes de ligar uma sonda. A marca de hora de uma sonda é definida quando a sonda é ligada ao medidor pela primeira vez. A marca de hora grava automaticamente o histórico da sonda e a hora de gravação das medições. Consulte [Figura 8](#) para ligar uma sonda ao medidor.

Figura 8 Ligar uma sonda ao medidor



Secção 7 Interface do utilizador e navegação

Após o arranque, o display mostra o ecrã inicial. Consulte [Ecrã inicial](#) na página 108. Utilize o teclado para seleccionar as opções disponíveis e para alterar os valores. Consulte [Teclado](#) na página 110. Utilize o menu principal para aceder a definições e outros menus. Consulte [Menu principal](#) na página 111.

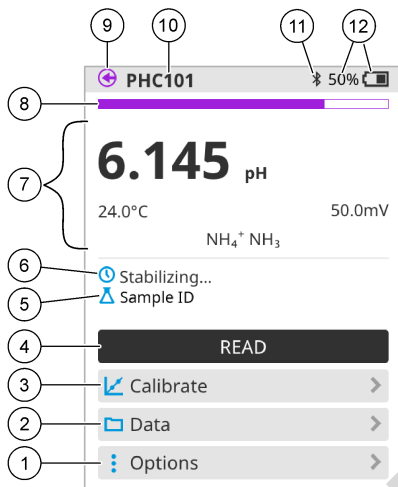
7.1 Ecrã inicial

O display apresenta o ecrã inicial quando o medidor está ligado e uma sonda está ligada ao medidor. Consulte [Figura 9](#). Os modelos HQ4100, HQ4200 e HQ4300 têm um display a cores. Para modelos com duas ou três portas de sonda, o ecrã apresenta todas as sondas ligadas. Consulte [Figura 10](#).

As tarefas que se seguem estão disponíveis a partir do ecrã inicial:

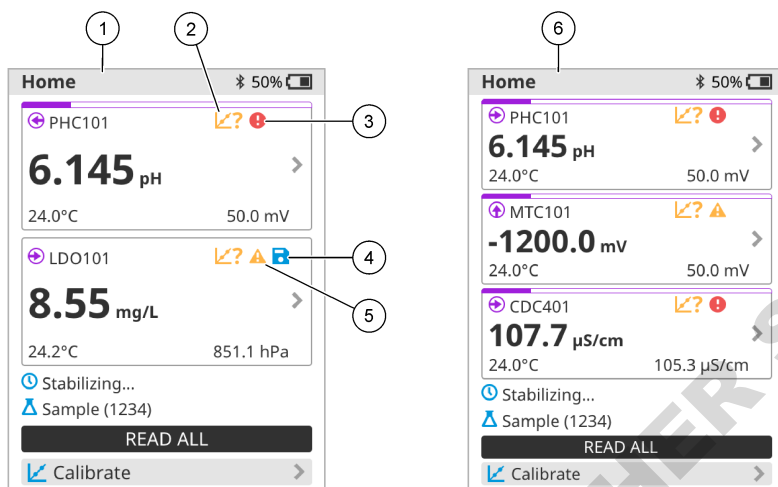
- Medir amostras
- Calibrar uma sonda
- Verificar uma calibração
- Definir ID (identificação) da amostra
- Ver e gerir dados
- Ler as instruções passo a passo

Figura 9 Exemplo de ecrã inicial: uma sonda



1 Menu Opções: permite aceder a instruções e outros menus	7 Secção do valor de medição: apresenta o valor medido, a temperatura e as unidades
2 Menu Dados: permite aceder à visualização e gestão de dados	8 Indicador de estado da estabilidade de medição: apresenta o estado da medição
3 Botão Calibrar: inicia uma calibração	9 Porta da sonda Intellical: apresenta a localização da porta da sonda ligada
4 Botão Ler: lê o valor da amostra ou da solução padrão	10 Nome da sonda Intellical: apresenta o nome do modelo da sonda ligada
5 ID da amostra: apresenta o nome da amostra que é medida	11 Ícone Bluetooth® (se o dongle de comunicação Hach estiver instalado): mostra quando uma ligação Bluetooth está ativa
6 Área de mensagens: apresenta o estado da medição, a ID da amostra, os erros e os avisos	12 Indicador de carga da bateria: apresenta a percentagem de carga da bateria

Figura 10 Exemplo de ecrã inicial: duas ou três sondas

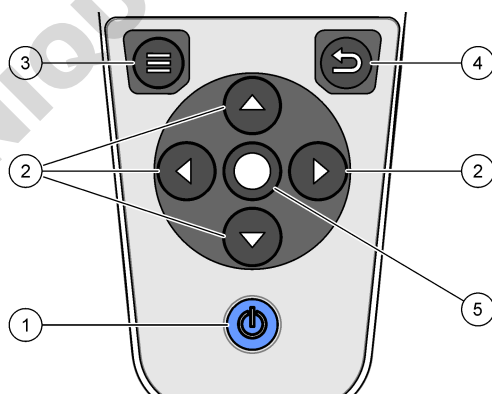


1 Ecrã inicial com duas sondas	4 Ícone de guardar: os dados de medição encontram-se no registo de dados
2 Ícone de calibrações: indica que a calibração não foi aceite ou expirou	5 Ícone de aviso (consulte Resolução de problemas na página 116)
3 Ícone de erro (consulte Resolução de problemas na página 116)	6 Ecrã inicial com três sondas

7.2 Teclado

Consulte [Figura 11](#) para obter uma descrição do teclado.

Figura 11 Descrição do teclado



1 Tecla ligar/desligar	4 Tecla de retroceder
2 Setas de navegação	5 Tecla de seleção
3 Tecla de menu	

7.3 Menu principal


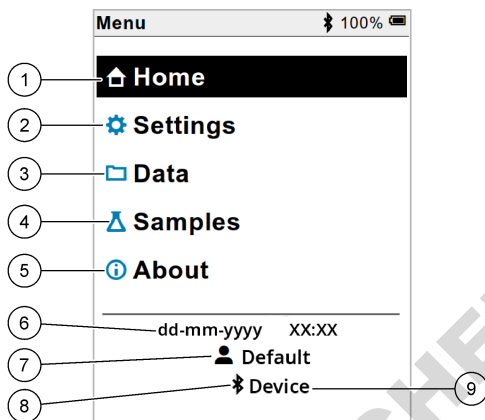
Prima  para ir para o menu principal. Consulte [Figura 12](#).

Figura 12 Descrição do menu principal



1	Página inicial	4	Menu de ID da amostra	7	ID do utilizador
2	Menu Definições	5	Ecrã acerca do medidor	8	Ícone Bluetooth® (se o HCD estiver instalado)
3	Menu Dados	6	Data e hora	9	ID do dispositivo Bluetooth® (se o HCD estiver instalado)

Secção 8 Funcionamento

Esta secção fornece instruções gerais de funcionamento para o medidor. Para obter instruções mais completas, consulte as instruções no ecrã do medidor ou no manual do utilizador da sonda.

8.1 Medir amostras


Os passos que se seguem são passos gerais para medir amostras com o medidor.

1. Selecione o modo de medição. Consulte [Configurações do medidor](#) na página 113.
2. Prepare a amostra para medição. Consulte as instruções no ecrã do medidor ou no manual do utilizador da sonda.
3. Meça a amostra da seguinte forma:
 - **Modo Premir para ler:** selecione Ler (ou Ler todas) para medir o valor da amostra. O medidor guarda automaticamente o valor.
 - **Modo Intervalo:** selecione Iniciar (ou Iniciar tudo) para iniciar as medições. O medidor mede e guarda automaticamente o valor da amostra nos intervalos de tempo especificados. Selecione Parar (ou Parar tudo) para parar as medições.
 - **Modo Contínuo:** o medidor mede continuamente o valor da amostra. Selecione Guardar (ou Guardar tudo) para guardar o valor apresentado no ecrã do display.

Após cada medição, o display apresenta o resultado. O ícone de guardar é apresentado no display se o resultado for guardado no registo de dados.

8.2 Calibrar uma sonda

Os passos que se seguem são passos gerais para a calibração da sonda com o medidor. Para alterar as definições de calibração, consulte [Definições da sonda](#) na página 114.

1. A partir do ecrã inicial, seleccione  Calibrar. Se estiver ligada mais do que uma sonda, seleccione a sonda a calibrar. O display apresenta a(s) solução(ões) a utilizar para a calibração.
2. Prepare as soluções tampão ou padrão para calibração. Utilize as instruções no ecrã do medidor ou no manual do utilizador da sonda.
3. Seleccione Ler para iniciar a calibração. O medidor mede o valor da solução de calibração. Quando a medição estiver concluída, o display apresenta o resultado.
4. Seleccione Ler para medir o valor das outras soluções tampão ou padrão, se aplicável. Seleccione Guardar para guardar a calibração.


Nota: se a calibração não for aceite, consulte as instruções de resolução de problemas no ecrã do medidor ou no manual do utilizador da sonda.

8.3 Verificar a calibração

Os passos que se seguem são passos gerais para verificar uma calibração de sonda com o medidor. Para alterar as definições de verificação, consulte [Definições da sonda](#) na página 114.

1. A partir do ecrã inicial, seleccione Opções > Verificar calibração. O display apresenta a solução tampão ou padrão a utilizar para a verificação.


Nota: Se estiver ligada mais do que uma sonda, seleccione a sonda a verificar.

2. Prepare a solução tampão ou padrão para verificação. Utilize as instruções no ecrã do medidor ou no manual do utilizador da sonda.
3. Seleccione Ler para iniciar a verificação. O medidor mede o valor da solução de verificação. Quando a medição estiver concluída, o display apresenta o resultado.
4. Se a verificação for bem-sucedida , seleccione Guardar para guardar o resultado.

Nota: se a verificação não for aceite, consulte as instruções de resolução de problemas no ecrã do medidor ou no manual do utilizador da sonda.

8.4 Incluir ID da amostra com dados de medição


O equipamento pode guardar um nome de amostra (ID) com os dados de medição armazenados. Introduza vários nomes de amostra no equipamento e, em seguida, seleccione o nome da amostra aplicável antes de as amostras serem medidas. O equipamento adiciona números a amostras com o mesmo nome, por exemplo, "Nome da amostra (2)".

1. Prima  e seleccione Amostras.
2. Seleccione uma opção.

Opção	Descrição
Amostra	Seleciona o nome da amostra a guardar com as medições da amostra.
Criar nova amostra	Abre um ecrã para adicionar novos nomes de amostra. Os nomes de amostra podem incluir letras e números.
Eliminar amostras	Remove os nomes de amostra.

8.5 Incluir ID do utilizador com dados armazenados

O equipamento pode registar um nome de utilizador (ID) com os dados armazenados. Introduza vários nomes de utilizador no equipamento e, em seguida, selecione o nome de utilizador aplicável antes de iniciar as calibrações ou medições.


1. Prima  e selecione Definições. É apresentada a lista de definições.
2. Selecione Utilizadores.
3. Selecione uma opção.

Opção	Descrição
Utilizador	Seleciona o nome de utilizador. O nome de utilizador selecionado é apresentado no ecrã do menu principal e é guardado com os dados armazenados.
Criar novo utilizador	Abre um ecrã para adicionar novos nomes de utilizador. Os nomes de utilizador podem incluir letras e números.
Eliminar utilizadores	Remove os nomes de utilizador.

Secção 9 Configurações do medidor

Conclua as etapas a seguir para alterar as configurações gerais do medidor.

Nota: a proteção por palavra-passe pode impedir o acesso a alguns menus. Consulte o manual do usuário on-line para obter informações sobre controle de acesso.

1. Prima  e selecione Definições. É apresentada a lista de definições.
2. Selecione uma opção.


Opção	Descrição
[Nome da sonda]	Altera as configurações específicas da sonda para medições, calibração e verificação. Consulte Definições da sonda na página 114 para alterar as configurações da sonda conectada.
Modo de medição	Define quando as medições são iniciadas. Opções: Premir para ler, Contínuo ou Intervalo. Premir para ler: A amostra é medida apenas quando Ler é pressionada. Os dados são salvos no log de dados automaticamente quando os critérios de estabilidade são atendidos. Intervalo: A amostra é medida em intervalos regulares por um período especificado. Os dados são armazenados no log de dados automaticamente. Contínuo: O medidor mede o valor da amostra continuamente. Os dados são salvos apenas no log de dados quando o usuário seleciona Guardar.
Temperatura	Define as unidades de temperatura para ° C ou ° F.
Ecrã	Altera as configurações da tela. Opções: Brilho, Retroiluminação e Encerramento. Brilho: Altera a intensidade da luz de fundo. Opções: 10 a 100% (predefinição: 50%). Retroiluminação: Desativa a luz de fundo quando o medidor não é usado por um tempo especificado. Opções: 15 segundos, 30 segundos, 1 minuto, 5 minutos ou Nunca. Encerramento: define o medidor para desligado quando o medidor não é usado por um tempo especificado. Opções: 1 minuto, 2 minutos, 5 minutos, 10 minutos, 30 minutos, 1 hora, 2 horas ou Nunca.
Som	Define o medidor para emitir um som durante o pressionamento de teclas ou notificações. Opções: Botão premido, Alerta de estabilidade, Lembrete, Alerta de erro/aviso ou (bateria) Carregamento concluído .
Utilizadores	Seleciona um usuário, adiciona um novo usuário ou exclui um usuário.
Data/hora	Define o formato da data / hora, data e hora no medidor.
Idioma	Define o idioma do medidor.

Opção	Descrição
Acesso	Define uma senha para impedir o acesso às configurações da sonda, algumas configurações do medidor (modo de medição, temperatura, idioma) e atualizações de software. Um usuário sem a senha não pode excluir configurações ou dados quando o controle de acesso está ativado.
Diagnóstico	Cria um arquivo de diagnóstico para suporte técnico ou serviço se ocorrer um problema técnico. O usuário deve conectar o medidor ao PC para obter o arquivo.

Secção 10 Definições da sonda

Quando uma sonda é ligada ao medidor, o utilizador pode alterar as definições da sonda para medições, calibrações e verificações. Consulte os passos que se seguem para aceder às definições da sonda ligada. Para obter uma descrição completa das definições, consulte o manual do utilizador online do medidor.

Nota: a proteção por palavra-passe pode impedir o acesso a alguns menus. Consulte o manual do utilizador online para obter informações sobre as definições de segurança.


1. Prima  e seleccione Definições. É apresentada a lista de definições.
2. Seleccione o nome da sonda.
3. Seleccione a opção aplicável: Medição, Calibração ou Verificação.

Secção 11 Gestão de dados

O medidor guarda os dados das medições, calibrações e verificações da amostra da seguinte forma:

- Medições da amostra – o medidor guarda automaticamente os dados da amostra medida quando o modo de medição é Premir para ler ou Intervalo. Quando o modo de medição é Contínuo, o utilizador tem de seleccionar Guardar para guardar os dados da amostra medida. O ícone de guardar é apresentado no ecrã inicial quando os dados da amostra medida estão no registo de dados.
- Dados de calibração – o utilizador tem de seleccionar Guardar para guardar os dados de calibração. Os dados de calibração são guardados no medidor e na sonda Intellical.
- Dados de verificação – o utilizador tem de seleccionar Guardar para guardar os dados de verificação.

Execute os passos que se seguem para ver, exportar ou eliminar dados.

1. Prima  e seleccione Dados ou seleccione Dados no ecrã inicial.
2. Seleccione uma opção.

Opção	Descrição
Ver dados	<p>Apresenta os dados no registo de dados. Os dados mais recentes são apresentados em primeiro lugar. Prima a seta para baixo para ver mais dados. O ícone de calibração é apresentado quando o tipo de dados é dados de calibração. O ícone de verificação é apresentado quando o tipo de dados é dados de verificação.</p> <p>Para ver mais detalhes de um ponto de dados, seleccione uma linha de dados e prima a seta para a direita. Para aplicar um filtro e apresentar apenas os dados filtrados, prima a seta para a esquerda e seleccione um parâmetro, tipo de dados ou intervalo de datas.</p>

Opção	Descrição
Exportar dados	<p>Envia uma cópia de todos os dados no registo de dados para um PC ligado ou um dispositivo de armazenamento USB. Para ligar o equipamento a um PC, consulte Figura 4 na página 105. Para ligar o equipamento a um dispositivo de armazenamento USB padrão, utilize um adaptador micro USB para USB tipo A. Em alternativa, utilize um dispositivo de armazenamento USB com um conector micro USB.</p> <p>Quando o equipamento se liga a um PC, abre-se uma janela do Explorador de ficheiros numa unidade com o nome "HQ-Series". Expanda a unidade e procure uma subpasta com o nome do medidor e o número de série. O ficheiro de dados é apresentado como um ficheiro .csv com a data e a hora como o nome do ficheiro. Guarde o ficheiro .csv numa localização do PC.</p> <p>Nota: Se a janela do Explorador de ficheiros não abrir automaticamente, abra uma janela do Explorador de ficheiros e procure uma unidade com o nome "HQ Series".</p>
Histórico de calibração	Apresenta os dados de calibração atuais e anteriores de uma sonda ligada.
Eliminar dados	Apaga todos os dados no registo de dados. A proteção por palavra-passe pode impedir o acesso à opção de eliminação de dados.

Secção 12 Manutenção

▲ AVISO



Vários perigos. Apenas pessoal qualificado deverá realizar as tarefas descritas nesta secção do documento.

12.1 Limpeza do instrumento

Limpe a parte exterior do instrumento com um pano humedecido e uma solução de detergente suave e depois seque o instrumento, conforme necessário.

12.2 Substituir a bateria

Substitua a bateria quando a mesma não carregar ou deixar de ter capacidade de retenção da carga. Utilize apenas a bateria e o carregador da bateria fornecidos pelo fabricante. Consulte [Instalação da bateria](#) na página 103.



12.3 Preparar para envio

O equipamento contém uma bateria de íões de lítio, que foi regulada como um material perigoso e tem de estar em conformidade com os regulamentos relativos a produtos perigosos para todos os tipos de transporte. Utilize os procedimentos que se seguem para enviar o equipamento para reparação ou manutenção:

- Desligue as sondas antes do envio.
- Efetue a limpeza e descontaminação do equipamento antes de o enviar.
- Para obter a melhor segurança, retire a bateria de íões de lítio do dispositivo e não a envie. Se a bateria tiver de ser enviada, mantenha-a instalada no compartimento da bateria, mas não fixe o compartimento da bateria no equipamento. Coloque o compartimento da bateria com a bateria instalada numa embalagem separada para evitar o contacto com materiais condutores de eletricidade (por exemplo, metais).
- Envie o equipamento na embalagem original ou numa embalagem alternativa que proporcione proteção.

Secção 13 Resolução de problemas

13.1 Utilizar as instruções de resolução de problemas no ecrã

A interface do utilizador tem instruções de resolução de problemas para ajudar a corrigir problemas que podem ocorrer durante medições, calibrações e verificações. Quando ocorre um problema, o display apresenta o ícone de erro  ou aviso  com uma breve descrição do problema. Prima a seta para a direita para ver os procedimentos recomendados para corrigir o problema.

Secção 14 Peças de substituição

ADVERTÊNCIA



Perigo de danos pessoais. A utilização de peças não aprovadas poderá causar ferimentos, danos ou avarias no equipamento. As peças de substituição mencionadas nesta secção foram aprovadas pelo fabricante.

Nota: Os números do Produto e Artigo podem variar consoante as regiões de venda. Para mais informações de contacto, contacte o distribuidor apropriado ou consulte o site web da empresa.

Peças de substituição

Descrição	Item n.º
Bateria, iões de lítio, 18650, 3200 mAh, idioma inglês	LEZ015.99.00001
Bateria, iões de lítio, 18650, 3100 mAh, idioma chinês	LEZ015.80.00001
Cabo, ficha USB 2.0 tipo A para ficha micro tipo B, 0,91 m (3 pés)	LEZ015.99.00002
Estojo para sondas padrão	LEZ015.99.A001A
Estojo para sondas robustas	LEZ015.99.A002A
Correia de mão e bujões antipoeira	LEZ015.99.A005A
Suporte com alça de mão	LEZ015.99.A003A
Luva de proteção	LEZ015.99.A004A
Transformador USB, 5 V CC, 2 A, 100–240 V CA, EUA	LEZ015.99.00006
Transformador USB, 5 V CC, 2 A, 100–240 V CA, UE + Reino Unido	LEZ015.99.00004
Transformador USB, 5 V CC, 2 A, 100–240 V CA, China	LEZ015.99.00005
Transformador USB, 5 V CC, 2 A, 100–240 V CA, resto do mundo	LEZ015.99.00007

Obsah

- | | |
|---|---|
| 1 Online návod k použití na straně 117 | 8 Ovládání na straně 130 |
| 2 Popis výrobku na straně 117 | 9 Nastavení měřiče na straně 132 |
| 3 Technické údaje na straně 118 | 10 Nastavení sondy na straně 133 |
| 4 Obecné informace na straně 119 | 11 Správa dat na straně 133 |
| 5 Instalace na straně 121 | 12 Údržba na straně 134 |
| 6 Spuštění na straně 126 | 13 Poruchy, jejich příčiny a odstraňování na straně 134 |
| 7 Uživatelské rozhraní a navigační tlačítka na straně 127 | 14 Náhradní díly na straně 134 |

Kapitola 1 Online návod k použití

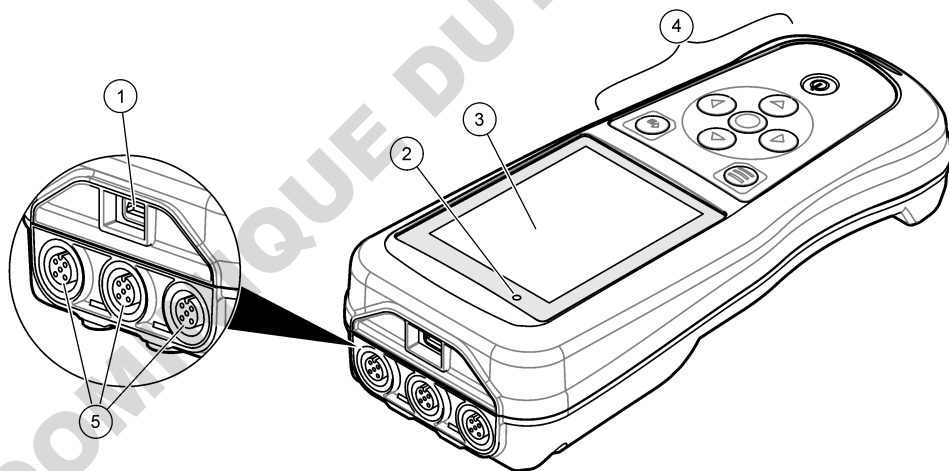
Tento základní návod k použití a obsahuje méně informací než návod k použití, který je k dispozici na webových stránkách výrobce.

Kapitola 2 Popis výrobku

Přenosné přístroje řady HQ se používají s digitálními sondami Intellical a slouží k měření jednoho nebo více parametrů kvality vody. Viz [Obr. 1](#). Přístroj automaticky rozpozná typ připojené sondy. Přístroj lze připojit k počítači nebo paměťovému zařízení USB a přenášet data uložená v přístroji. Volitelný komunikační hardwarový klíč Hach (HCD) se připojuje k přístroji Claros.

Přenosné přístroje řady HQ jsou dostupné v osmi modelech. [Tabulka 1](#) uvádí typy sond, které lze připojit ke každému modelu.

Obr. 1 Popis výrobku



1 Konektor micro-USB	4 Klávesnice
2 kontrolka LED	5 Porty sondy Intellical (jsou zobrazeny tři možnosti sonda-port)
3 Displej	

Tabulka 1 Modely přístrojů řady HQ

Model přístroje	Konektory sond	pH/mV/ORP ¹ sondy	LDO/LBOD ² sondy	Konduktivita ³ sondy	ISE ⁴ sondy
HQ1110	1	✓			
HQ1130	1		✓		
HQ1140	1			✓	
HQ2100	1	✓	✓	✓	
HQ2200	2	✓	✓	✓	
HQ4100	1	✓	✓	✓	✓
HQ4200	2	✓	✓	✓	✓
HQ4300	3	✓	✓	✓	✓

Kapitola 3 Technické údaje

Technické údaje podléhají změnám bez předchozího upozornění.

Technický údaj	Podrobnosti
Rozměry (D x Š x V)	22 x 9,7 x 6,3 cm (8,7 x 3,8 x 2,5 palce)
Hmotnost	HQ1110, HQ1130, HQ1140 a HQ2100: 519 g (18,3 unce); HQ2200: 541 g (19,1 unce); HQ4100: 530 g (18,7 unce); HQ4200: 550 g (19,4 unce); HQ4300: 570 g (20,1 unce)
Stupeň krytí	IP67 s nainstalovanou přihrádkou na baterii
Požadavky na napájení (interní)	Dobíjecí lithium-iontová baterie 18650 (průměr 18 mm x délka 65 mm, válcová), 3,7 V DC, 3200 mAh; životnost baterie: >1 týden při typickém použití (10 měření/den, 5 dní/týden v režimu Kontinuální nebo Načtení stisknutím, nebo >24 hodin v režimu Interval s 5minutovými intervaly a časovačem vypnutí ≤15 minut)
Požadavky na napájení (externí)	Třída II, napájecí adaptér USB: 100–240 V AC, vstup 50/60 Hz; 5 V DC při 2 A výstupu napájecího adaptéru USB
Ochranná třída přístroje	Třída IEC III (napájeno SELV (oddělené / bezpečnostní extra nízké napětí)); napájecí adaptér USB je IEC Class II (dvojitá izolace)
Provozní teplota	0 až 60 °C (32 až 140 °F)
Teplota nabíjení	10 až 40 °C
Provozní vlhkost	90 % (nekondenzující)
Skladovací teplota	–20 až 60 °C (–4 až 140 °F) max. 90% relativní vlhkost (nekondenzující)
Konektor sondy	5kolíkový konektor M12 pro sondy Intellical
Konektor micro-USB	Konektor micro-USB umožňuje připojení kabelu USB a napájecího adaptéru USB.
Záznam dat (interní)	Řada HQ1000: 5000 datových bodů; řada HQ2000: 10 000 datových bodů; řada HQ4000: 100 000 datových bodů
Ukládání dat	Automatické ukládání v režimech Stisknout pro načítání nebo Intervalovém. Ruční ukládání v kontinuálním režimu.

¹ Sondy pH/mV/ORP měří také teplotu

² Sondy LDO/LBOD měří také teplotu

³ Sondy konduktivity měří také salinitu, TDS (rozpuštěné látky), rezistivitu, teplotu

⁴ Ionově selektivní sondy, jako např. amoniak, dusičnan, chlorid, fluorid, sodík

Technický údaj	Podrobnosti
Export dat	Konektor USB k počítači nebo paměťovému zařízení USB (omezeno na kapacitu paměťového zařízení)
Korekce teploty	Vypnuto, automatické a ruční (podle parametrů)
Certifikáty	CE, UKCA, FCC, ISED, RCM, KC, ETL Verified: US DOE/ NRCan Energy Efficiency, RoHS
Záruka	Řada HQ1000 a HQ2000: 1 rok (USA), 2 roky (EU); řada HQ4000: 3 roky (USA), 3 roky (EU)

Kapitola 4 Obecné informace

Výrobce v žádném případě neodpovídá za poškození vzniklá v důsledku nesprávného používání produktu nebo nedodržení pokynů v návodu k obsluze. Výrobce si vyhrazuje právo provádět v tomto návodu a výrobcích v něm popisovaných změny, a to kdykoliv, bez předchozích oznámení či jakýchkoli následných závazků. Revidovaná vydání jsou dostupná na internetových stránkách výrobce.

4.1 Bezpečnostní informace

Výrobce neodpovídá za škody způsobené nesprávnou aplikací nebo nesprávným použitím tohoto produktu včetně (nikoli pouze) přímých, náhodných a následných škod a zřídka se odpovědnosti za takové škody v plném rozsahu, nakolik to umožňuje platná legislativa. Uživatel je výhradně zodpovědný za určení kritických rizik aplikace a za instalaci odpovídajících mechanismů ochrany procesů během potenciální nesprávné funkce zařízení.

Před vybalením, montáží a uvedením přístroje do provozu si prosím pozorně přečtete celý tento návod. Zvláštní pozornost věnujte všem upozorněním na možná nebezpečí a výstražným informacím. V opačném případě může dojít k vážným poraněním obsluhy a poškození přístroje.

Ujistěte se, že nedošlo k poškození obalu tohoto zařízení a přístroj nepoužívejte a neinstalujte jinak, než jak je uvedeno v tomto návodu.

4.2 Informace o možném nebezpečí

▲ NEBEZPEČÍ

Označuje možnou nebo bezprostředně rizikovou situaci, jež může v případě, že jí nezabráníte, vést k usmrcení nebo vážnému zranění.

▲ VAROVÁNÍ

Upozorňuje na možné nebo skryté nebezpečné situace, jež by bez vhodných preventivních opatření mohly vést k úmrtí nebo vážnému poranění.

▲ POZOR

Upozorňuje na možnou nebezpečnou situaci, jež by mohla mít za následek menší nebo mírné poranění.

UPOZORNĚNÍ

Označuje situaci, která může způsobit poškození přístroje, pokud se nezabrání jejímu vzniku. Upozorňuje na informace vyžadující zvláštní pozornost.

4.3 Výstražné symboly

Věnujte pozornost všem nálepkám a štítkům umístěným na zařízení. V opačném případě může dojít k poranění osob nebo poškození přístroje. Odkazy na symboly na přístroji naleznete v návodu spolu s výstražnou informací.

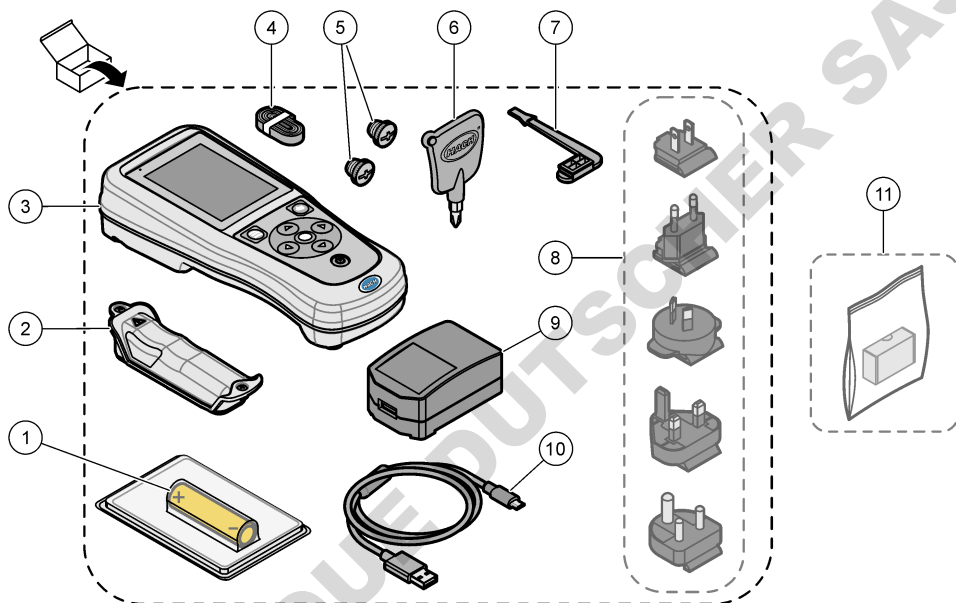


Elektrické zařízení označené tímto symbolem se nesmí likvidovat v evropských systémech domácího nebo veřejného odpadu. Staré nebo vysloužilé zařízení vraťte výrobci k bezplatné likvidaci.

4.4 Součásti výrobku

Ujistěte se, že byly dodány všechny součásti. Viz Obr. 2. V případě, že některé položky chybí nebo jsou poškozené, se ihned obraťte na výrobce nebo příslušného obchodního zástupce.

Obr. 2 Součásti výrobku



1 Dobíjecí lithium-iontová baterie	7 Záslepka portu USB
2 Prostor pro baterie	8 Volitelné záslepky napájení
3 Přístroj	9 Adaptér napájení USB
4 Šňůrka na ruku	10 Kabel USB, typ A na micro, 1 m (3,3 ft)
5 Záslepky konektorů sondy	11 Volitelný komunikační hardwarový klíč Hach (HCD)
6 Křížový šroubovák (#1 Phillips)	

4.5 Certifikace

Kanadské předpisy o zařízeních způsobujících rušení, IECS-003, Třída B:

Záznamy o testech jsou uloženy u výrobce.

Tento digitální přístroj třídy B splňuje všechny požadavky kanadských předpisů o zařízeních způsobujících rušení.

Cet appareil numérique de classe B répond à toutes les exigences de la réglementation canadienne sur les équipements provoquant des interférences.

FCC Část 15, meze třídy "B"

Záznamy o testech jsou uloženy u výrobce. Zařízení splňuje požadavky uvedené v části 15 pravidel FCC. Jeho provoz je dovolen jen při splnění následujících podmínek:

1. Zařízení nemůže způsobit škodlivé rušení.
2. Zařízení musí akceptovat veškeré přijaté rušení, včetně rušení, které může působit nežádoucí provoz.


Změny nebo úpravy tohoto zařízení, které nebyly výslovně schváleny stranou odpovědnou za vyhovění normám, mohou způsobit neplatnost oprávnění uživatele provozovat toto zařízení. Toto zařízení bylo testováno a bylo zjištěno, že vyhovuje limitům digitálního zařízení Třídy B na základě části 15 pravidel FCC. Uvedené meze byly stanoveny za účelem poskytnutí dostatečné ochrany před škodlivými interferencemi, je-li zařízení v provozu v komerčním prostředí. Toto zařízení vytváří, používá a může vyzařovat vysokofrekvenční energii a jestliže není instalováno a používáno v souladu s návodem k použití, může působit rušení radiových komunikací. Provoz tohoto zařízení v obytných oblastech může pravděpodobně působit škodlivé rušení. V tomto případě uživatel bude muset odstranit rušení na své vlastní náklady. Ke snížení problémů způsobených rušením lze použít následující postupy:

1. Zařízení posuňte dále od rušeného přístroje.
2. Změňte polohu přijímací antény zařízení, jež rušení přijímá.
3. Vyzkoušejte případně kombinaci několika uvedených opatření.

4.6 Komunikační hardwarový klíč Hach (volitelný)

Volitelný komunikační hardwarový klíč Hach (HCD) používá technologii Bluetooth®⁵ Low Energy pro komunikaci s Claros. Při instalaci a provozu zařízení postupujte podle všech pokynů a varování výrobce. Prostudujte si dokumentaci dodávanou s HCD.

4.7 Zamýšlené použití



▲ POZOR	
	Nebezpečí styku s chemikáliemi. Dodržujte laboratorní bezpečnostní postupy a noste veškeré osobní ochranné pomůcky vyžadované pro manipulaci s příslušnými chemikáliemi. Bezpečnostní protokoly naleznete v aktuálních bezpečnostních listech.

Přenosné přístroje řady HQ jsou určena pro použití osobami, které měří parametry kvality vody v laboratoři nebo v terénu. Přístroje řady HQ neupravují ani nemění vodu.

Kapitola 5 Instalace

▲ NEBEZPEČÍ	
	Různá nebezpečí. Práce uvedené v tomto oddíle dokumentu smí provádět pouze dostatečně kvalifikovaný personál.

5.1 Bezpečnost lithiové baterie

▲ VAROVÁNÍ	
 	Nebezpečí požáru a exploze. Lithiové baterie se mohou při nesprávném používání zahřívát, explodovat nebo vznítit a způsobit tak vážné poranění.

- Baterie nepoužívejte, pokud vykazují viditelné poškození.

⁵ Značka a loga Bluetooth® jsou registrované ochranné známky společnosti Bluetooth SIG, Inc. a jakékoli použití těchto značek společností HACH je pokryto licencí.

- Baterie nepoužívejte po silném otřesu nebo vibracích.
- Nevystavujte baterie ohni nebo jiskření.
- Baterii uchovávejte při teplotě do 70 °C.
- Baterie udržujte v suchu, mimo dosah vody.
- Zamezte kontaktu mezi kladným a záporným pólem baterie.
- Nenechte manipulovat s bateriemi nepovolané osoby.
- Baterie likvidujte v souladu s místními, regionálními a státními předpisy.
- Nepoužívejte a neukládejte přístroj na přímém slunečním světle, v blízkosti zdroje tepla nebo v prostředí s vysokou teplotou, například v uzavřeném vozidle na přímém slunečním světle.

5.2 Instalace baterie

▲ VAROVÁNÍ



Nebezpečí požáru a exploze. Toto zařízení obsahuje vysoce energetickou lithiovou baterii, která může způsobit vznícení a požár nebo explozi, dokonce i bez napájení. Aby byla zajištěna bezpečnost poskytovaná pouzdrem přístroje, musí být nainstalovány kryty pouzdra přístroje a musejí být upevněny dodanou montážní sadou.

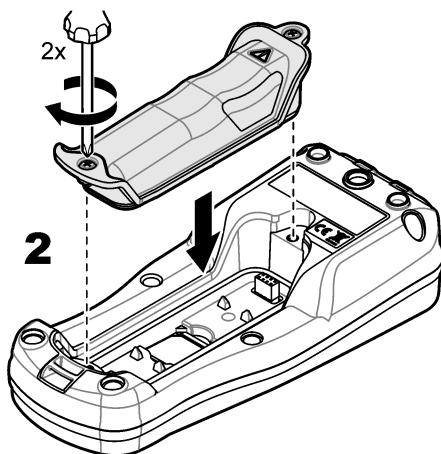
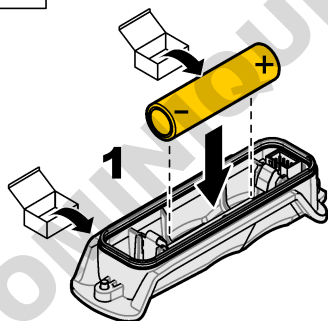
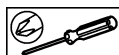
▲ VAROVÁNÍ



Nebezpečí výbuchu a požáru. Nahrazení baterie není povoleno. Používejte pouze baterie dodané výrobcem zařízení.

Používejte pouze lithium-iontovou dobíjecí baterii dodanou výrobcem. Informace o vložení a vyjmutí baterie naleznete zde [Obr. 3](#).

Obr. 3 Vložení a vyjmutí baterie



5.3 Nabíjení baterie

⚠ NEBEZPEČÍ



Nebezpečí smrtelného úrazu elektrickým proudem. Pokud se toto zařízení používá mimo kryté prostory nebo na potenciálně vlhkých místech, musí se k připojení zařízení k hlavnímu zdroji napájení použít proudový chránič.

⚠ VAROVÁNÍ



Nebezpečí požáru. Používejte pouze externí zdroj napájení, který patří k tomuto zařízení.

⚠ VAROVÁNÍ



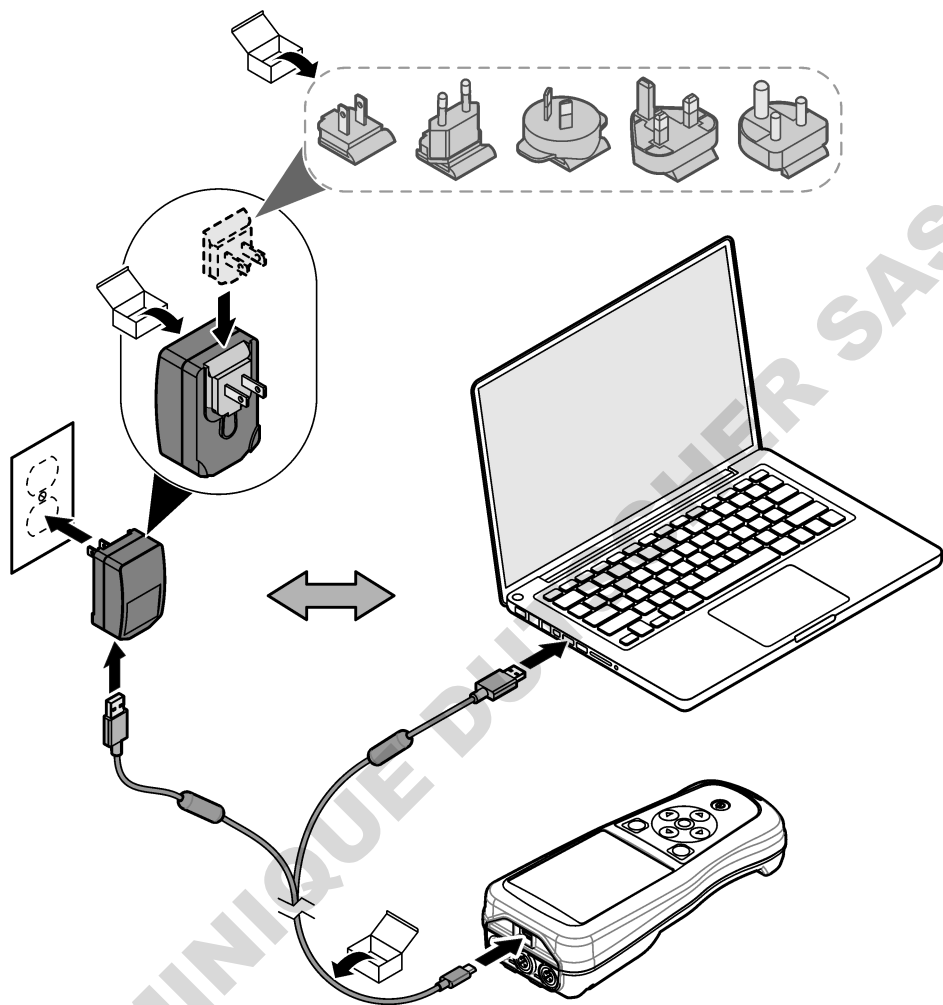
Nebezpečí úrazu elektrickým proudem. Externě připojená zařízení musí odpovídat platným hodnocením bezpečnostních norem dané země.

UPOZORNĚNÍ

Záslepku na USB port instalujte vždy, když port není používán, aby se udržel v čistotě a nedocházelo ke korozi. Baterii nevyměňujte, je-li USB port mokrý, znečištěný nebo zkorodovaný. Viz. [Instalace záslepek sondy a portu USB](#) na straně 125.

K nabíjení baterie použijte dodaný kabel USB a napájecí adaptér USB, anebo počítač. Viz. [Obr. 4](#). Když se přístroj připojí k napájení a stiskne se tlačítko zapnutí/vypnutí, svítí zelená kontrolka LED. Uživatel může během nabíjení baterie přístroj používat. Vybitá baterie se plně nabije přibližně po 5 hodinách, použijete-li napájecí adaptér USB a přístroj je vypnutý. Vždy, když není USB port používán, musí být instalována záslepka USB portu. Viz. [Instalace záslepek sondy a portu USB](#) na straně 125.

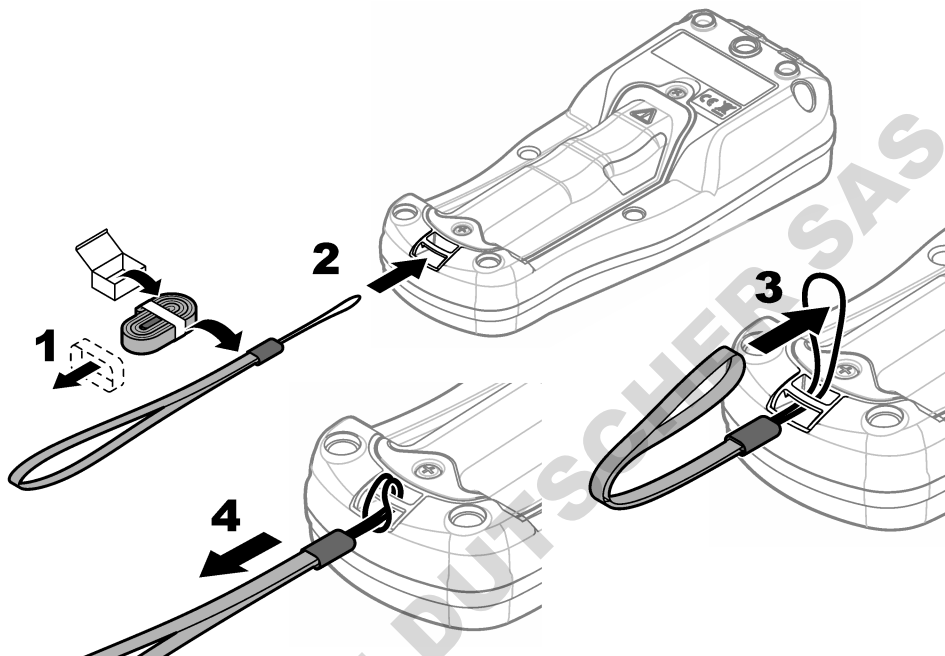
Obr. 4 Připojte k napájecímu adaptéru USB nebo k počítači



5.4 Instalace šňůrky

Nainstalujte šňůrku pro bezpečné držení přístroje. Viz [Obr. 5](#).

Obr. 5 Instalace šňůrky

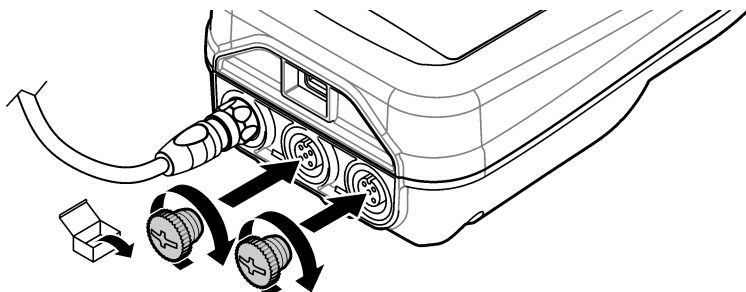


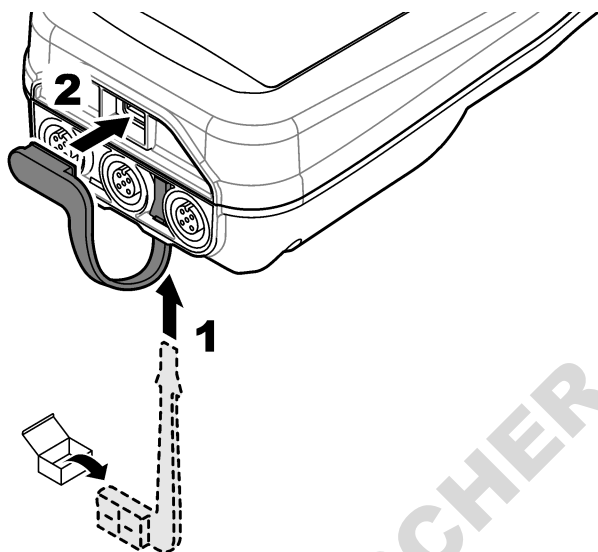
5.5 Instalace záslepek sondy a portu USB

Zásleпку na USB port a port(y) sondy instalujte vždy, když porty nejsou používány, aby se udržely v čistotě a nedocházelo ke korozi. Záslečky portu je třeba nasazovat na prázdné porty, aby se zachoval rating skříně přístroje. Viz [Obr. 6](#) a [Obr. 7](#).

Poznámka: [Obr. 6](#) ukazuje přístroj se třemi porty pro sondu. Některé modely přístrojů mají pouze jeden nebo dva porty pro sondu.


Obr. 6 Instalace záslepek portu





Kapitola 6 Spuštění

6.1 Spuštění přístroje

Přístroj spustíte stisknutím tlačítka . Pokud se přístroj nespustí, ujistěte se, že je baterie správně nainstalovaná nebo že je přístroj připojen ke zdroji napájení. Viz [Nabíjení baterie](#) na straně 123.

6.2 Výběr jazyka

Při prvním zapnutí přístroje nebo po vložení nové baterie se na displeji zobrazí obrazovka výběru jazyka. Vyberte platný jazyk. Uživatel může také změnit jazyk v nabídce Nastavení.

6.3 Nastavení data a času

Při prvním zapnutí přístroje nebo po vložení nové baterie se na displeji zobrazí obrazovka Datum a čas. Datum a čas nastavíte provedením následujících kroků.

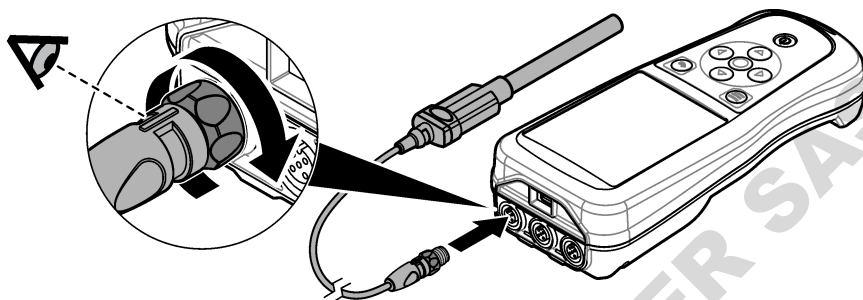
Poznámka: Uživatel může také změnit datum a čas v nabídce Nastavení.

1. Pomocí šipek nahoru a dolů vyberte formát data.
2. Stisknutím šipky doprava přejděte na datum a čas.
3. Pomocí šipek nahoru a dolů změňte datum a čas.
4. Stisknutím šipky doprava zvýrazněte volbu Uložit.
5. Volbou Uložit uložte nastavení.

6.4 Připojení sondy

Před připojením sondy nezapomeňte nastavit čas a datum v přístroji. Při prvním připojení sondy k přístroji se zobrazí časové razítko sondy. Toto časové razítko automaticky zaznamená historii sondy a čas, kdy byla měření provedena. Viz [Obr. 8](#) pro připojení sondy k přístroji.

Obr. 8 Připojení sondy k přístroji



Kapitola 7 Uživatelské rozhraní a navigační tlačítka

Po spuštění se na displeji zobrazí výchozí obrazovka. Viz [Výchozí obrazovka](#) na straně 127. Pomocí klávesnice vybíráte dostupné možnosti a měníte hodnoty. Viz [Klávesnice](#) na straně 129. V hlavní nabídce přecházíte na nastavení a další nabídky. Viz [Hlavní nabídka](#) na straně 130.

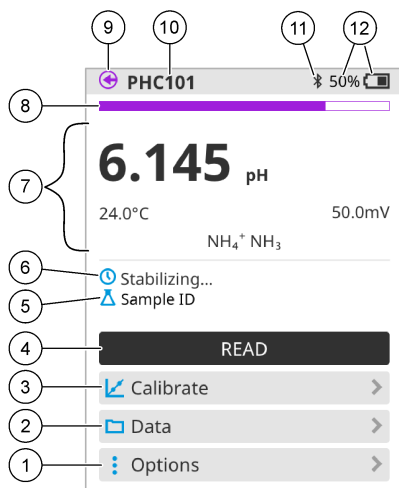
7.1 Výchozí obrazovka

Displej zobrazuje výchozí obrazovku, je-li přístroj zapnutý a sonda připojená k přístroji. Viz [Obr. 9](#). Modely HQ4100, HQ4200, HQ4300 mají barevný displej. U modelů se dvěma nebo třemi porty pro sondu se na obrazovce zobrazí všechny připojené sondy. Viz [Obr. 10](#).

Na výchozí obrazovce jsou k dispozici následující úlohy:

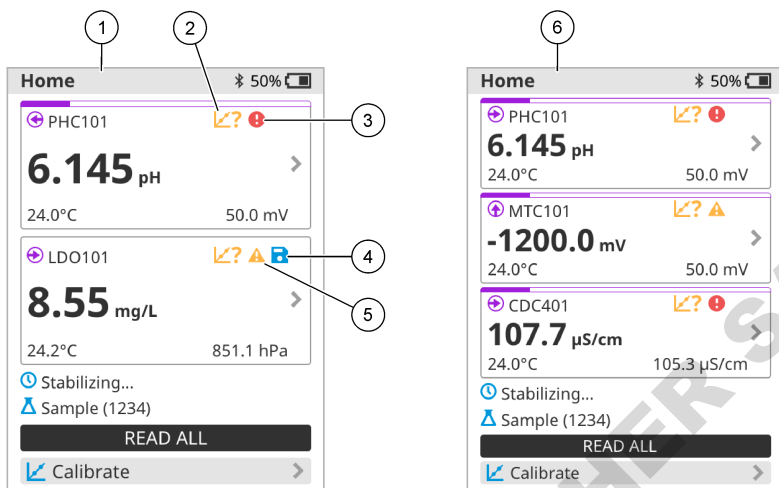
- Měření vzorků
- Kalibrace sondy
- Ověření kalibrace
- Nastavení ID vzorku (identifikace)
- Zobrazení a správa dat
- Přečtení podrobných pokynů

Obr. 9 Příklad výchozí obrazovky—Jedna sonda



1 Nabídka Možnosti: umožňuje přístup k pokynům a dalším nabídkám	7 Sekce hodnot měření: zobrazuje naměřené hodnoty, teplotu a jednotky
2 Nabídka Data: umožňuje přístup k zobrazení a správě dat	8 Indikátor stavu stability měření: zobrazuje stav měření
3 Tlačítko Kalibrace: spustí kalibraci	9 Port sondy Intellical: zobrazuje umístění portu připojené sondy
4 Tlačítko Načítat: načte hodnotu vzorku nebo standardního roztoku	10 Název sondy Intellical: zobrazuje název modelu připojené sondy
5 ID vzorku: zobrazuje název měřeného vzorku	11 Ikona Bluetooth® (je-li nainstalován komunikační hardwarový klíč Hach): zobrazuje se při aktivním připojení Bluetooth
6 Oblast zpráv: zobrazuje stav měření, ID vzorku, chyby a varování	12 Indikátor nabití baterie: zobrazuje procento nabití baterie

Obr. 10 Příklad výchozí obrazovky—Dvě nebo tři sondy

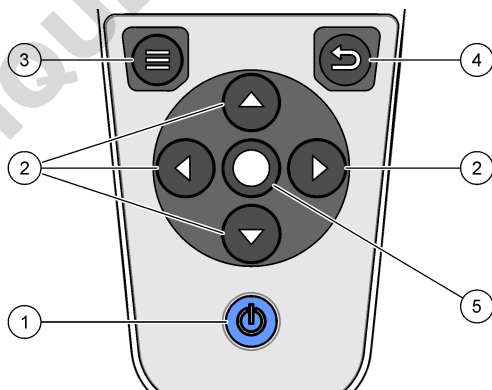


1 Výchozí obrazovka se dvěma sondami	4 Ikona uložení: data měření jsou v protokolu dat.
2 Ikona kalibrací: označuje, že kalibrace nebyla přijata nebo vypršela její platnost	5 Ikona varování (viz Poruchy, jejich příčiny a odstraňování na straně 134)
3 Ikona chyby (viz Poruchy, jejich příčiny a odstraňování na straně 134)	6 Výchozí obrazovka se třemi sondami

7.2 Klávesnice

Popis klávesnice naleznete v části [Obr. 11](#).

Obr. 11 Popis klávesnice

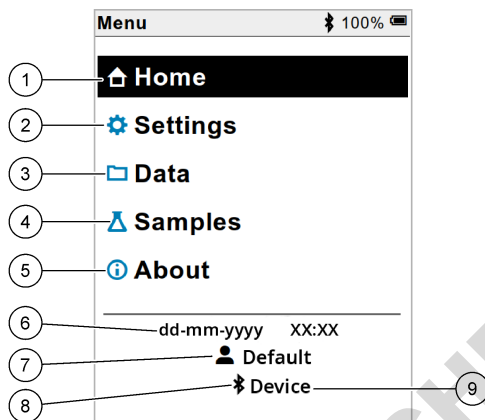


1 Tlačítko Zap/vyp	4 Tlačítko Zpět
2 Navigační šípky	5 Tlačítko Vybrat
3 Tlačítko Nabídka	

7.3 Hlavní nabídka

Stisknutím tlačítka  se navrátíte do hlavní nabídky. Viz [Obr. 12](#).

Obr. 12 Popis hlavní nabídky



1	Obrazovka Domů	4	Nabídka ID vzorku	7	ID uživatele
2	Nabídka Nastavení	5	Nabídka O přístroji	8	Ikona Bluetooth® (je-li nainstalován HCD)
3	Nabídka Data	6	Datum a čas	9	Zařízení Bluetooth® (je-li nainstalován HCD)

Kapitola 8 Ovládání

V této části jsou uvedeny obecné provozní pokyny k přístroji. Úplné pokyny se zobrazují na obrazovce v přístroji, anebo je naleznete v návodu k sondě.

8.1 Měření vzorků


Následující kroky jsou obecnými kroky pro měření vzorků pomocí přístroje.

1. Vyberte režim měření. Viz [Nastavení měřiče](#) na straně 132.
2. Připravte vzorek k měření. Použijte pokyny na obrazovce v přístroji nebo v návodu k sondě.
3. Vzorek změřte takto:
 - **Režim Stisknout pro načítání:** Výběrem možnosti Načítat (nebo Nač.vše) se změří hodnota vzorku. Přístroj automaticky uloží hodnotu.
 - **Intervalový režim:** Volbou Spustit (nebo Spustit vše) spustíte měření. Přístroj automaticky měří a ukládá hodnotu vzorku ve stanovených časových intervalech. Pro zastavení měření vyberte Zastavit (nebo Zastavit vše).
 - **Kontinuální režim:** Přístroj měří hodnotu vzorku nepřetržitě. Výběrem položky Uložit (nebo Uložit vše) uložíte hodnotu, která se zobrazí na displeji.

Po každém měření se na displeji zobrazí výsledek. Jakmile se výsledek uloží do protokolu dat, zobrazí se na displeji ikona uložení.

8.2 Kalibrace sondy

Následující kroky jsou obecnými kroky pro kalibraci sondy pomocí přístroje. Chcete-li změnit nastavení kalibrace, viz [Nastavení sondy](#) na straně 133.

1. Na výchozí obrazovce vyberte  Kalibrace. Pokud je připojena více než jedna sonda, vyberte sondu, kterou chcete kalibrovat. Na displeji se zobrazí roztok(y), které se mají použít pro kalibraci.
2. Připravte pufrý nebo roztoky standardů pro kalibraci. Použijte pokyny na obrazovce v přístroji nebo v návodu k sondě.
3. Zvolte Načítat pro zahájení kalibrace. Přístroj změří hodnotu kalibračního roztoku. Po dokončení měření se na displeji zobrazí výsledek.
4. Vyberte Načítat, chcete-li změřit hodnotu ostatních pufrů, nebo případně roztoků standardů. Zvolte Uložit pro uložení kalibrace.


Poznámka: *Není-li kalibrace přijata, prostudujte si pokyny pro odstraňování problémů na obrazovce v přístroji nebo v návodu k sondě.*

8.3 Ověření kalibrace

Následující kroky jsou obecnými kroky pro ověření kalibrace sondy pomocí přístroje. Chcete-li změnit nastavení ověření, viz [Nastavení sondy](#) na straně 133.

1. Na výchozí obrazovce vyberte Možnosti > Ověřit kalibraci. Na displeji se zobrazí pufr nebo roztok standardu, který se použije pro ověření.


Poznámka: *Pokud je připojena více než jedna sonda, vyberte sondu, kterou chcete ověřit.*

2. Připravte pufr nebo roztok standardu pro ověření. Použijte pokyny na obrazovce v přístroji nebo v návodu k sondě.
3. Volbou Načítat zahájíte ověření. Přístroj změří hodnotu ověřovacího roztoku. Po dokončení měření se na displeji zobrazí výsledek.
4. Pokud je ověření úspěšné , uložte výsledek volbou Uložit.

Poznámka: *Není-li ověření přijato, prostudujte si pokyny pro odstraňování problémů na obrazovce v přístroji nebo v návodu k sondě.*

8.4 Přidání ID vzorku do dat měření


Přístroj může ukládat název vzorku (ID) společně s uloženými daty měření. Do přístroje zadejte více názvů vzorků, a poté před měřením vzorků vyberte příslušný název vzorku. Ke vzorkům se stejným názvem přístroj přidává čísla, např. „Příklad názvu (2)“.

1. Stiskněte  a vyberte možnost Vzorky.
2. Vyberte požadovanou možnost.

Možnost	Popis
Vzorek	Vybere název vzorku, pod kterým se uloží naměřené hodnoty vzorku.
Vytvořit nový vzorek	Otevře obrazovku pro přidání nových názvů vzorků. Názvy vzorků mohou obsahovat písmena a čísla.
Smazat vzorky	Odstraní názvy vzorků.

8.5 Přidání ID uživatele do uložených dat

Přístroj může zaznamenávat jméno uživatele (ID) společně s uloženými daty. Do přístroje zadejte více uživatelských jmen a před zahájením kalibrace nebo měření vyberte příslušné uživatelské jméno.


1. Stiskněte  a vyberte možnost Nastavení. Zobrazí se seznam nastavení.
2. Vyberte možnost Uživatelé.
3. Vyberte požadovanou možnost.

Možnost	Popis
Uživatel	Vybere uživatelské jméno. Vybrané uživatelské jméno se zobrazí na obrazovce hlavní nabídky a uloží se s uloženými daty.
Vytvořit nového uživatele	Otevře obrazovku pro přidání nových uživatelských jmen. Uživatelská jména mohou obsahovat písmena a čísla.
Smazat uživatele	Odstraní uživatelská jména.

Kapitola 9 Nastavení měřiče

Proveďte následující kroky a změňte obecná nastavení měřiče.

Poznámka: Ochrana heslem může bránit přístupu k některým nabídkám. Informace o řízení přístupu naleznete v online návodu k použití.

1. Stiskněte  a vyberte možnost Nastavení. Zobrazí se seznam nastavení.
2. Vyberte požadovanou možnost.


Možnost	Popis
[Název sondy]	Mění nastavení specifické pro sondu pro měření, kalibraci a ověření. Změnu nastavení připojené sondy viz Nastavení sondy na straně 133.
Režim měření	Nastavuje se při zahájení měření. Možnosti: Stiskněte pro načtení, Kontinuální nebo Interval. Stiskněte pro načtení: Vzorek se měří, pouze když je stisknuto Načítat. Data jsou ukládána do protokolu dat automaticky, jakmile jsou splněna kritéria stability. Interval: Vzorek se měří v pravidelných intervalech po stanovenou dobu. Data jsou automaticky ukládána do protokolu dat. Kontinuální: Přístroj průběžně měří hodnotu vzorku. Data se ukládají do protokolu dat pouze tehdy, když uživatel vybere Uložit.
Teplota	Nastaví jednotky teploty na ° C nebo ° F.
Displej	Mění nastavení displeje. Možnosti: Jas, Podsvícení a Vypnutí. Jas: Mění intenzitu podsvícení. Možnosti: 10 až 100 % (výchozí hodnota: 50 %). Podsvícení: Vypne podsvícení, když se měřič nepoužívá po stanovenou dobu. Možnosti: 15 sekund, 30 sekund, 1 minuta, 5 minut nebo Nikdy. Vypnutí: Nastaví přístroj na vypnutý, když se měřič nepoužívá po stanovenou dobu. Možnosti: 1 minuta, 2 minuty, 5 minut, 10 minut, 30 minut, 1 hodina, 2 hodiny nebo Nikdy.
Zvuk	Nastaví měřič tak, aby vydával zvuk během stisknutí kláves nebo oznámení. Možnosti: Stisk tlačítka, Upozornění na stabilitu, Připomínka, Upozornění na chybu / varování nebo (baterie) Nabíjení dokončeno .
Uživatelé	Vybere uživatele, přidá nového uživatele nebo odstraní uživatele.
Datum-čas	Nastavuje formát data / času, datum a čas v přístroji.
Jazyk	Nastaví jazyk měřiče.

Možnost	Popis
Přístup	Nastavuje heslo, které zabraňuje přístupu k nastavení sondy, některým nastavením měřiče (režim měření, teplota, jazyk) a aktualizacím softwaru. Uživatel bez hesla nemůže vymazat nastavení nebo data, když je řízení přístupu zapnuto.
Diagnostika	Pokud dojde k technickému problému, vytvoří diagnostický soubor pro technickou podporu nebo servis. Uživatel musí připojit přístroj k počítači, aby získal soubor.

Kapitola 10 Nastavení sondy

Po připojení sondy k přístroji může uživatel změnit nastavení sondy pro měření, kalibrace a ověření. Pomocí následujících kroků získáte přístup k nastavení připojené sondy. Úplný popis nastavení naleznete v online uživatelské příručce k přístroji.

Poznámka: Ochrana heslem může bránit přístupu k některým nabídkám. Informace o nastavení zabezpečení naleznete v online návodu k použití.


1. Stiskněte  a vyberte možnost Nastavení. Zobrazí se seznam nastavení.
2. Vybere název sondy.
3. Vyberte příslušnou možnost: Měření, Kalibrace nebo Ověření.

Kapitola 11 Správa dat

Přístroj ukládá data z měření vzorků, kalibrací a ověření takto:

- Měření vzorků—Přístroj automaticky uloží naměřená data vzorku, je-li režim měření Stisknout pro načítání nebo Intervalové. Je-li režim měření Kontinuální, musí uživatel vybrat možnost Uložit, chce-li data měřených vzorků uložit. Jakmile jsou naměřená data vzorku v protokolu dat, zobrazí se na výchozí obrazovce ikona uložení.
- Kalibrační data—Pro uložení kalibračních dat musí uživatel vybrat možnost Uložit. Kalibrační data se ukládají do přístroje a do sondy Intellical.
- Ověřovací data—Pro uložení ověřovacích dat musí uživatel vybrat možnost Uložit.

Chcete-li data zobrazit, exportovat nebo odstranit, proveďte následující kroky.

1. Stiskněte  a vyberte Data nebo vyberte Data na výchozí obrazovce.
2. Vyberte požadovanou možnost.

Možnost	Popis
Zobrazit data	Zobrazí data v protokolu dat. Nejnovější data se zobrazí jako první. Chcete-li zobrazit další data, stiskněte šipku dolů. Ikona kalibrace se zobrazí, jsou-li typem dat kalibrační data. Ikona ověření se zobrazí, jsou-li typem dat ověřovací data. Chcete-li zobrazit více podrobností pro datový bod, vyberte řádek dat a stiskněte šipku vpravo. Chcete-li použít filtr a zobrazit pouze filtrovaná data, stiskněte šipku vlevo a vyberte parametr, typ dat nebo rozsah dat.
Export dat	Odešle kopii všech dat z protokolu dat do připojeného počítače nebo paměťového zařízení USB. Chcete-li připojit přístroj k počítači, viz Obr. 4 na straně 124. Chcete-li připojit přístroj ke standardnímu paměťovému zařízení USB, použijte adaptér micro USB na USB typu A. Případně použijte paměťové zařízení USB, které má konektor micro USB. Když se přístroj připojí k počítači, otevře se okno průzkumníka souborů na jednotce s názvem "HQ-Series". Rozbalte jednotku a vyhledejte podsložku s názvem přístroje a sériovým číslem. Datový soubor se zobrazí jako soubor CSV s datem a časem jako názvem souboru. Uložte soubor CSV do počítače. Poznámka: Pokud se okno průzkumníka souborů neotevře automaticky, otevřete okno průzkumníka souborů a vyhledejte jednotku s názvem "HQ-Series".

Možnost	Popis
Historie kalibrace	Zobrazí aktuální a dřívější kalibrační data pro připojenou sondu.
Smazat data	Vymaže všechna data v protokolu dat. Ochrana heslem může bránit přístupu k možnosti mazání dat.

Kapitola 12 Údržba

▲ POZOR



Různá nebezpečí. Práce uvedené v tomto oddíle dokumentu smí provádět pouze dostatečně kvalifikovaný personál.

12.1 Čištění přístroje

Vyčistěte vnější povrch přístroje vlhkým hadříkem a jemným mýdlovým roztokem a poté přístroj podle potřeby otřete dosucha.

12.2 Vyměňte baterii

Vyměňte baterii, pokud se baterie nedobíjí nebo neudrží kapacitu. Používejte pouze baterii a nabíječku baterií dodanou výrobcem. Viz [Instalace baterie](#) na straně 122.

12.3 Příprava k odeslání

Přístroj obsahuje lithium-iontovou baterii, která jako nebezpečný materiál podléhá regulaci a musí se s ní zacházet podle předpisů o nebezpečném zboží pro všechny typy přepravy. K odeslání přístroje k opravě nebo údržbě použijte následující postupy:

- Před přepravou sondu odpojte.
- Před odesláním přístroj vyčistěte a dekontaminujte.
- Pro nejlepší bezpečnost vyjměte lithium-iontovou baterii ze zařízení a baterii neodesílejte. Pokud je nutné baterii odeslat, ponechte baterii nainstalovanou v bateriové přihrádce, ale nepřidělejte bateriovou přihrádku k přístroji. Vložte bateriovou přihrádku s nainstalovanou baterií do samostatného obalu, abyste zabránili kontaktu s elektricky vodivými materiály (např. kovy).
- Přístroj odešlete v původním obalu nebo jej odešlete v alternativním ochranném obalu.

Kapitola 13 Poruchy, jejich příčiny a odstraňování

13.1 Použití pokynů pro odstraňování problémů na obrazovce

Uživatelské rozhraní obsahuje pokyny pro odstraňování problémů, které pomáhají odstraňovat problémy, vyskytnou-li se během měření, kalibrací a ověřování. Nastane-li problém, zobrazí se na displeji ikona chyby ⓘ nebo varování ▲ s krátkým popisem problému. Stisknutím šipky doprava zobrazíte doporučené postupy k odstranění problému.

Kapitola 14 Náhradní díly

▲ VAROVÁNÍ



Nebezpečí poranění osob. Použití neschválených součástí může způsobit poranění osob, poškození nebo nesprávné fungování přístroje či vybavení. Náhradní díly v tomto oddíle jsou schváleny výrobcem.

Poznámka: Čísla produktů a položek se mohou v různých regionech prodeje lišit. Obratě se na příslušného distributora, kontaktní informace naleznete na webových stránkách společnosti.

Náhradní díly

Popis	Položka č.
Baterie, lithium ion, 18650, 3200 mAh, anglický jazyk	LEZ015.99.00001
Baterie, lithium ion, 18650, 3100 mAh, čínský jazyk	LEZ015.80.00001
Kabel, USB 2.0 zástrčka typu A do micro zástrčky typu B, 0,91 m (3 ft)	LEZ015.99.00002
Terénní kufřík na standardní sondy	LEZ015.99.A001A
Terénní kufřík na robustní sondy	LEZ015.99.A002A
Šňůrka na ruku a protiprachové záslepky	LEZ015.99.A005A
Stojan s popruhem na ruku	LEZ015.99.A003A
Ochranná rukavice	LEZ015.99.A004A
Napájecí adaptér USB, 5 V DC, 2 A, 100–240 V AC, USA	LEZ015.99.00006
Napájecí adaptér USB, 5 V DC, 2 A, 100–240 V AC, EU + UK	LEZ015.99.00004
Napájecí adaptér USB, 5 V DC, 2 A, 100–240 V AC, Čína	LEZ015.99.00005
Napájecí adaptér USB, 5 V DC, 2 A, 100–240 V AC, ROW	LEZ015.99.00007

DOMINIQUE DUTSCHER

Indholdsfortegnelse

- 1 Online brugervejledning på side 136
- 2 Produktoversigt på side 136
- 3 Specifikationer på side 137
- 4 Generelle oplysninger på side 138
- 5 Installation på side 140
- 6 Opstart på side 145
- 7 Brugergænseflade og betjening på side 146
- 8 Betjening på side 149
- 9 Målerindstillinger på side 151
- 10 Indstillinger for sonde på side 152
- 11 Datastyring på side 152
- 12 Vedligeholdelse på side 153
- 13 Fejlsøgning på side 153
- 14 Reserve dele på side 153

Sektion 1 Online brugervejledning

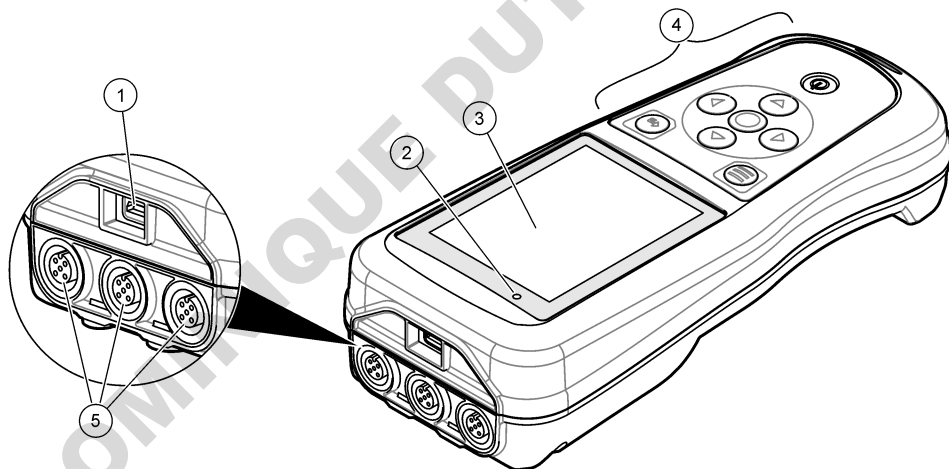
Denne grundlæggende brugervejledning indeholder færre oplysninger end den brugervejledning, som findes på producentens hjemmeside.

Sektion 2 Produktoversigt

HQ-serien af bærbare målere bruges med digitale Intellical-sonder til måling af et eller flere vandkvalitetsparametre. Se [Figur 1](#). Instrumentet genkender automatisk den sondetype, der er tilsluttet instrumentet. Måleren kan oprette forbindelse til en pc eller USB-lagerenhed med henblik på at overføre data, der er gemt i måleren. Hach Communication Dongle (HCD) (ekstraudstyr) bruges til at forbinde måleren til Claros.

HQ-serien af bærbare målere fås i otte forskellige modeller [Tabel 1](#) viser de typer af sonder, der kan forbindes til hver model.

Figur 1 Produktoversigt



1 Micro-USB-stik	4 Tastatur
2 Lysdiodeindikator	5 Intellical-sondeporte (valgmulighed med tre sonder vist)
3 Display	

Tabel 1 Modeller i HQ-serien af målere

Målermodel	Sondeforbindere	pH/mV/ORP ¹ sonder	LDO/LBOD ² sonder	Konduktivitet ³ sonder	ISE ⁴ sonder
HQ1110	1	✓			
HQ1130	1		✓		
HQ1140	1			✓	
HQ2100	1	✓	✓	✓	
HQ2200	2	✓	✓	✓	
HQ4100	1	✓	✓	✓	✓
HQ4200	2	✓	✓	✓	✓
HQ4300	3	✓	✓	✓	✓

Sektion 3 Specifikationer

Specifikationerne kan ændres uden varsel.

Specifikation	Detaljer
Dimensioner (L x B x H)	22 x 9,7 x 6,3 cm (8,7 x 3,8 x 2,5")
Vægt	HQ1110, HQ1130, HQ1140 og HQ2100: 519 g (18,3 oz), HQ2200: 541 g (19,1 oz), HQ4100: 530 g (18,7 oz), HQ4200: 550 g (19,4 oz), HQ4300: 570 g (20,1 oz)
Kapslingsklasse	IP67 med installeret batterirum
Strømforsyning (intern)	Genopladeligt litium-ion-batteri 18650 (18 mm diameter x 65 mm længde, cylindrisk, 3,7 VDC, 3200 mAh, batterilevetid: > 1 uge med typisk brug (10 aflæsninger/dag, 5 dage/uge i Kontinuerlig tilstand eller Tryk for at læse, eller > 24 timer i Intervaltilstand med 5 minutters intervaller og nedlukningstimer ≤ 15 minutter)
Strømforsyning (ekstern)	Klasse II, USB-strømadapter: 100-240 VAC, 50/60 Hz-indgang, 5 VDC ved 2 A USB-strømadapterudgang
Meter beskyttelsesklasse	IEC Klasse III (SELV-drevet (Separated/Safety Extra-Low Voltage)), USB-strømadapter er IEC Klasse II (dobbeltsoliseret)
Driftstemperatur	0 til 60 °C (32 til 140 °F)
Opladningstemperatur	10 til 40 °C (50 til 104 °F)
Luftfugtighed, drift	90% (uden kondensering)
Opbevaringstemperatur	-20 til 60 °C (-4 til 140 °F), maksimum 90 % relativ fugtighed (ikke-kondenserende)
Sondeforbinder	5-bens M12-stik til Intellical-sonder
Micro-USB-stik	Micro-USB-stikket muliggør tilslutning af USB-kabel og USB-strømadapter.
Datalog (intern)	HQ1000-serien: 5000 datapunkter, HQ2000-serien: 10.000 datapunkter, HQ4000-serien: 100.000 datapunkter
Datalogring	Automatisk lagring i tilstandene Tryk for at læse og Interval. Manuel lagring i Kontinuerlig tilstand.

¹ pH/mV/ORP-sonder er inkl. temperatur

² LDO/LBOD-sonder er inkl. temperatur

³ Ledningsevnesonder omfatter saltholdighed, TDS (totale opløste faste stoffer), resistivitet, temperatur

⁴ Ionsælektive sonder som ammonium, nitrat, klorid, fluor, natrium

Specifikation	Detaljer
Dataeksport	USB-tilslutning til computer eller USB (begrænset til lagringsenhedens kapacitet)
Temperaturkorrektion	Slukket, automatisk og manuel (parameterspecifik)
Certificeringer	CE, UKCA, FCC, ISED, RCM, KC, ETL-verificeret: US DOE/ NRCan Energy Efficiency, RoHS
Garanti	HQ1000- og HQ2000-serien: 1 år (US), 2 år (EU), HQ4000-serien: 3 år (US), 3 år (EU)

Sektion 4 Generelle oplysninger

Producenten kan under ingen omstændigheder gøres ansvarlig for skade som følge af forkert brug af produkter eller manglende overholdelse af foreskrifterne i brugsvejledningen. Producenten forbeholder sig ret til når som helst at foretage ændringer i denne manual og de beskrevne produkter uden varsel eller forpligtelser. Reviderede udgaver kan findes på producentens webside.

4.1 Sikkerhedsoplysninger

Producenten er ikke ansvarlig for eventuelle skader på grund af forkert anvendelse eller misbrug af dette produkt, herunder uden begrænsning direkte skader, hændelige skader eller følgeskader, og fraskriver sig ansvaret for sådanne skader i det fulde omfang, som tillades ifølge gældende lov. Kun brugeren er ansvarlig for at identificere alvorlige risici ved anvendelsen og installere relevante mekanismer til beskyttelse af processerne i forbindelse med en eventuel fejl på udstyret.

Læs hele manualen inden udpakning, installation eller betjening af dette udstyr. Overhold alle sikkerhedshenvisninger og advarsler. Undladelse heraf kan medføre, at brugeren kommer alvorligt til skade, eller det kan medføre beskadigelse af analysatoren.

Kontroller, at den beskyttelse, som dette udstyr giver, ikke forringes. Du må ikke bruge eller installere dette udstyr på nogen anden måde end den, der er angivet i denne manual.

4.2 Brug af sikkerhedsoplysninger

▲ FARE

Angiver en eventuel eller overhængende farlig situation, der vil medføre dødsfald eller alvorlige kvæstelser, hvis den ikke undgås.

▲ ADVARSEL

Angiver en potentiel eller umiddelbart farlig situation, som kan resultere i død eller alvorlig tilskadekomst, hvis den ikke undgås.

▲ FORSIGTIG

Indikerer en potentiel farlig situation, der kan resultere i mindre eller moderat tilskadekomst.

BEMÆRKNING

Angiver en situation, der kan medføre skade på instrumentet, hvis ikke den undgås. Oplysninger, der er særligt vigtige.

4.3 Sikkerhedsmærkater

Læs alle etiketter og mærkater, som er placeret på apparatet. Der kan opstå person- eller instrumentskade, hvis forholdsreglerne ikke respekteres. I håndbogen refereres der til et symbol på instrumentet med en forholdsreglerklæring.

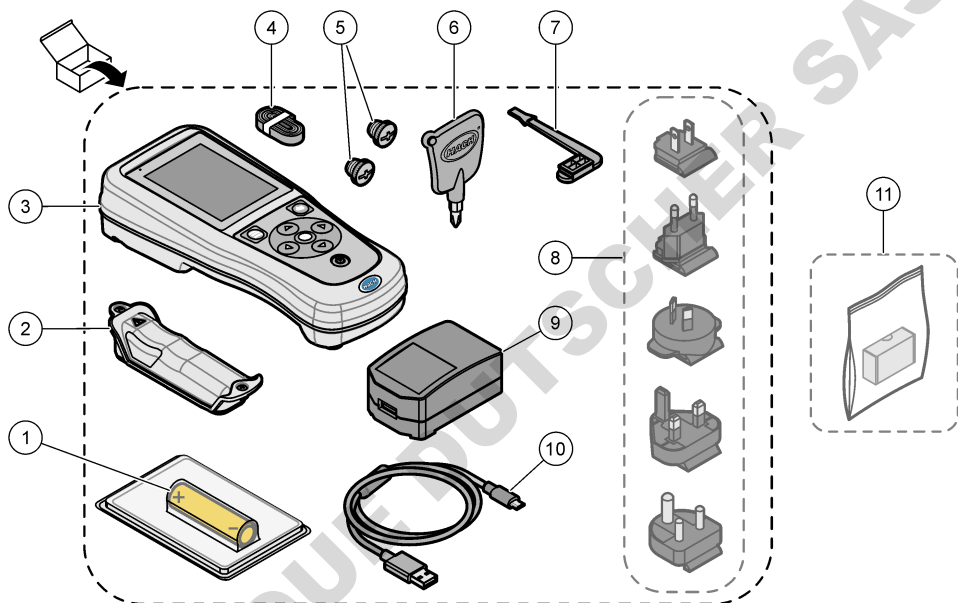


Elektrisk udstyr mærket med dette symbol må, i Europa, ikke bortskaffes i sammen med husholdningsaffald eller offentligt affald. Returner gammelt eller udjntet udstyr til producenten til bortskaffelse uden gebyr.

4.4 Produktkomponenter

Sørg for, at alle komponenter er modtaget. Se [Figur 2](#). Kontakt producenten eller forhandleren med det samme, hvis der er mangler eller defekte dele i sendingen.

Figur 2 Produktkomponenter



1	Genopladeligt litium-ion-batteri	7	USB-portprop
2	Batterirum	8	Valgfri strømstik
3	Instrument	9	USB-strømadapter
4	Håndledsrem	10	USB-kabel, type A til micro, 1 m (3,3 ft)
5	Propper til sondeforbinde	11	Hach Communication Dongle (HCD) (ekstraudstyr)
6	Skruetrækker (#1 Phillips)		

4.5 Certificering

Canadian Radio Interference-Causing Equipment Regulation, IECS-003, Klasse A:

Producenten opbevarer understøttende testfortegnelser.

Dette Klasse B digitale apparat opfylder alle krav i Canadian Interference-Causing Equipment Regulations.

Cet appareil numérique de classe B répond à toutes les exigences de la réglementation canadienne sur les équipements provoquant des interférences.

FCC del 15, klasse "B" grænser

Producenten opbevarer understøttende testfortegnelser. Enheden overholder Afs. 15 i FCC's regelsæt. Anvendelsen er underlagt følgende betingelser:

1. Udstyret må ikke forårsage skadelig interferens.
2. Udstyret skal acceptere modtaget interferens, hvilket omfatter interferens, der kan forårsage uønsket drift.

Ændringer og modifikationer af dette udstyr, som ikke er udtrykkeligt godkendt af den part, som er ansvarlig for overholdelsen, kan ophæve brugerens ret til at betjene udstyret. Dette udstyr er blevet testet og fundet i overensstemmelse med grænserne for en Klasse B digital enhed i henhold til afsnit 15 i FCC-reglerne. Disse grænser er udformet til at yde rimelig beskyttelse mod skadelig interferens, når udstyret betjenes i et kommercielt miljø. Dette udstyr genererer, bruger og kan udsende radiofrekvensenergi og kan, hvis det ikke installeres og anvendes i overensstemmelse med brugervejledningen, forårsage skadelige interferens for radiokommunikationer. Anvendelse af dette udstyr i et beboelsesområde vil sandsynligvis forårsage skadelig interferens, i hvilket tilfælde brugeren skal udbedre interferensen for egen regning. Følgende teknikker kan anvendes til at reducere problemer med interferens:

1. Flyt udstyret væk fra den enhed, som modtager interferensen.
2. Indstil modtageantennen på den enhed, der modtager interferens, igen.
3. Prøv kombinationer af ovennævnte.

4.6 Hach Communication Dongle (ekstraudstyr)

Ekstraudstyret Hach Communication Dongle (HCD) bruger Bluetooth®⁵ Low Energy til at kommunikere med Claros. Følg alle producentvejledninger og advarsler for at installere og betjene enheden. Se den dokumentation, der leveres sammen med HCD.

4.7 Tilsigtet brug

▲ FORSIGTIG



Fare for eksponering for kemiske stoffer. Overhold laboratoriets sikkerhedsprocedurer, og bær alt det personlige beskyttelsesudstyr, der er nødvendigt for at beskytte dig mod de kemikalier, du bruger. Se de aktuelle sikkerhedsdataark (MSDS/SDS) for sikkerhedsprotokoller.

HQ-serien af bærbare målere er beregnet til brug af personer, der måler vandkvalitetsparametre i laboratorier eller i marken. HQ-serien af målere behandler og ændrer ikke vand.

Sektion 5 Installation

▲ FARE



Flere risici. Kun kvalificeret personale må udføre de opgaver, som er beskrevet i dette afsnit i dokumentet.

5.1 Sikkerhed for litiumbatteri

▲ ADVARSEL



Eksplodings- og brandfare. Litiumbatterier kan blive varme, eksplodere eller bryde i brand og forårsage alvorlige personskader, hvis de anvendes forkert.

- Brug ikke batteriet, hvis det har synlige skader.

⁵ Bluetooth® mærket og logoerne er registrerede varemærker ejet af Bluetooth SIG, Inc., og enhver brug af sådanne mærker af HACH sker under licens.

- Brug ikke batteriet, hvis det har været udsat for kraftige stød eller rystelser.
- Udsæt ikke batteriet for ild eller antændelse.
- Opbevar batteriet ved temperaturer under 70 °C (158 °F).
- Opbevar batteriet et tørt sted, hvor det ikke udsættes for vand.
- Undgå kontakt imellem den positive og den negative batteriterminal.
- Lad ikke uautoriserede personer røre ved batteriet.
- Bortskaf batteriet i henhold til lokale, regionale og nationale forskrifter.
- Brug eller opbevar ikke instrumentet i direkte sollys, nær en varmekilde eller i omgivelser med høje temperaturer, f.eks. et lukket køretøj i direkte sollys.

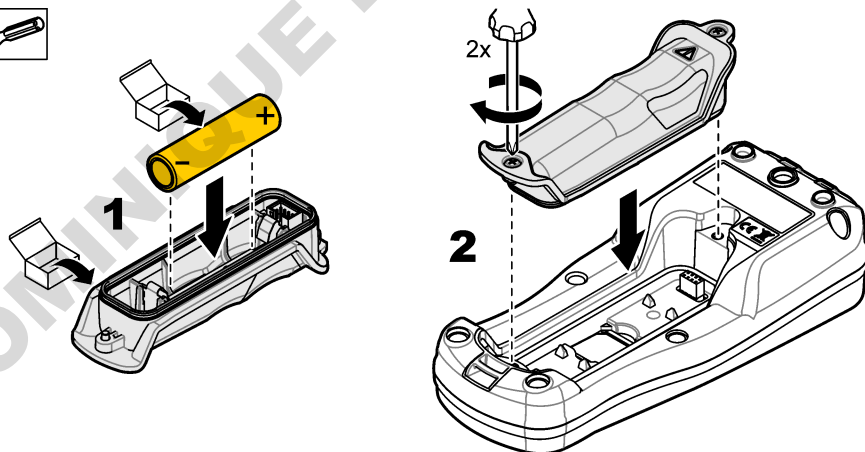
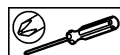
5.2 Isætning af batterier

⚠ ADVARSEL	
 	<p>Eksplisions- og brandfare. Dette udstyr indeholder et kraftigt litiumbatteri, som kan antændes og forårsage brand eller eksplosion, selv når det ikke er tilsluttet. For at opretholde den sikkerhed, som udstyrets kabinet giver, skal alle dækplader være monteret og sikret med den medfølgende hardware.</p>

⚠ ADVARSEL	
	<p>Ekspllosion og brandfare. Batterierstatning er ikke tilladt. Benyt kun de batterier der leveres af instrumentets producent.</p>

Brug kun det genopladelige litium-ion-batteri, der er leveret af producenten. Se [Figur 3](#) for isætning eller fjernelse af batteri.

Figur 3 Isætning og fjernelse af batteri



5.3 Oplad batteriet

⚠ FARE



Risiko for livsfarlige elektriske stød. Hvis dette udstyr anvendes udendørs eller på steder, som kan være våde, skal der anvendes en jordfejlsafbryder til at forbinde udstyret med dets strømkilde.

⚠ ADVARSEL



Brandfare. Brug kun en ekstern strømkilde, der er anbefalet til dette instrument.

⚠ ADVARSEL



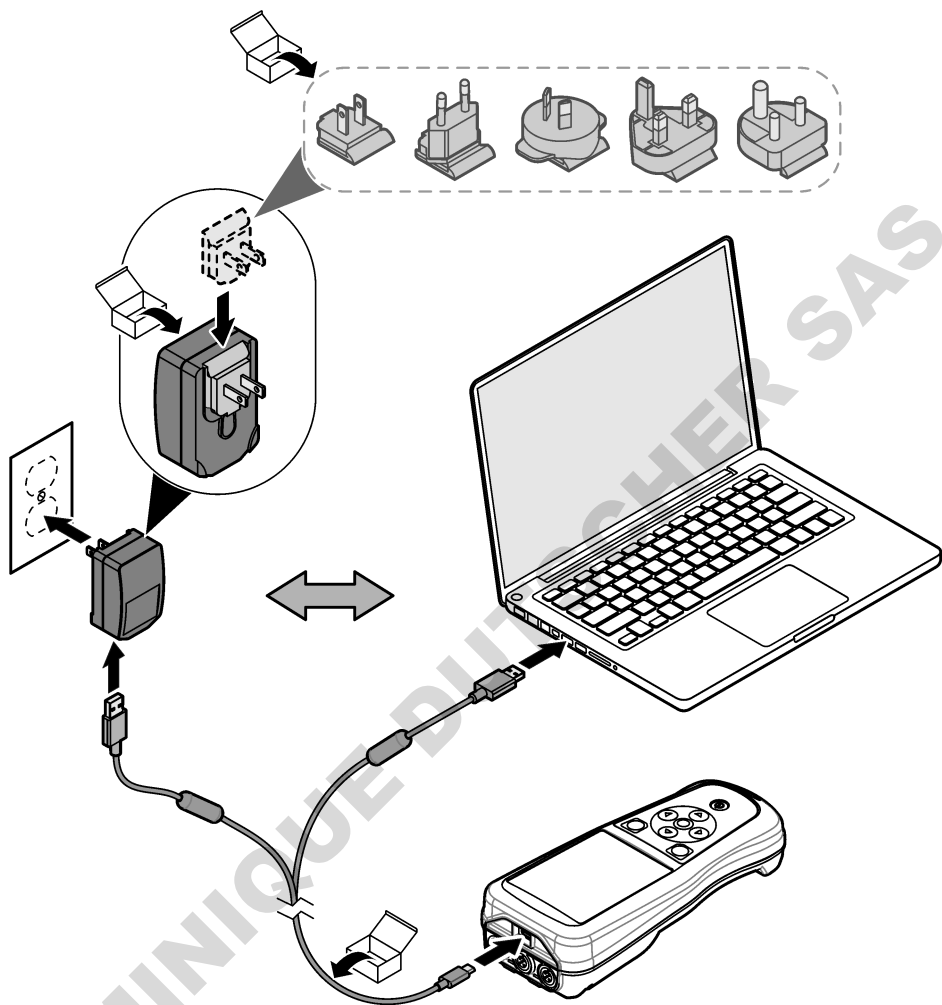
Fare for elektrisk stød. Eksternt forbundet udstyr skal have en gældende godkendelse i henhold til den pågældende lands sikkerhedsstandard.

BEMÆRKNING

Isæt altid USB-portproppen, når porten ikke er i brug for at holde porten ren og for at forhindre rust. Oplad ikke batteriet, hvis USB-porten er våd, snavset eller er rustet. Se [Isæt sonde- og USB-portpropper](#) på side 144.

Brug det medfølgende USB-kabel og en USB-strømadapter eller en pc til at oplade batteriet. Se [Figur 4](#). Når instrumentet tilsluttes strømmen, og tænd/sluk-tasten trykkes ned, tændes den grønne LED-indikator. Brugeren kan betjene instrumentet, mens batteriet oplades. Hvis batteriet er helt afladt, varer det ca. 5 timer, før det er fuldt opladt, når der bruges en USB-strømadapter, og instrumentet er frakoblet strømmen. Sørg for at isætte USB-portproppen, når USB-porten ikke er i brug. Se [Isæt sonde- og USB-portpropper](#) på side 144.

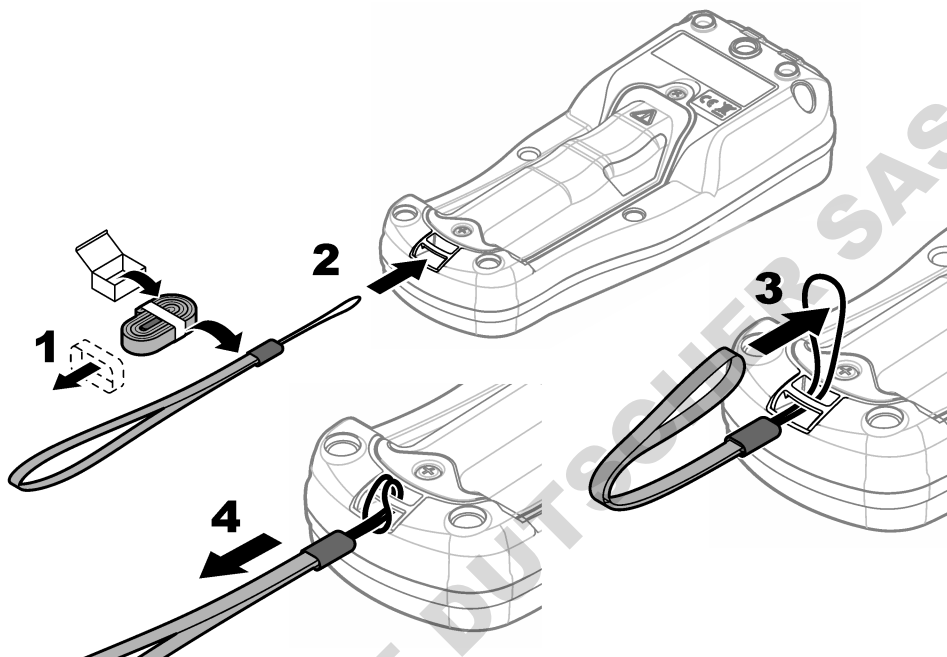
Figur 4 Slut til en USB-strømadapter eller en pc



5.4 Påsætning af håndledsrem

Påsat håndledsremmen for at sikre måleren. Se [Figur 5](#).

Figur 5 Påsætning af håndledsrem

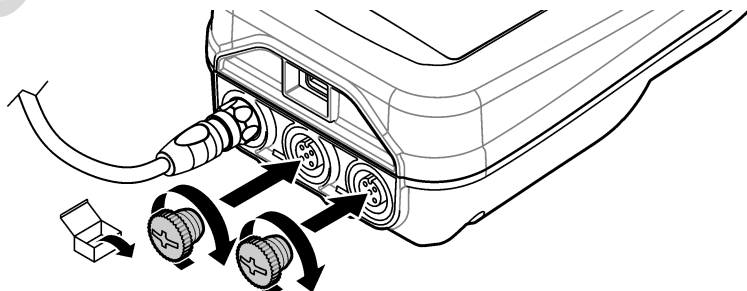


5.5 Isæt sonde- og USB-portpropper

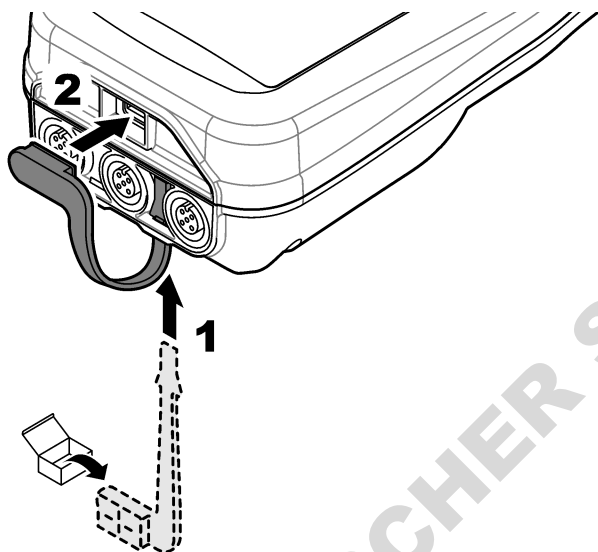
Isæt altid USB-portpropperne i USB og sondeport(ene), når portene ikke er i brug for at holde portene rene og for at forhindre rust. Portpropperne skal isættes i de tomme porte for at bevare klassificeringen af indkapslingen for instrumentet. Se [Figur 6](#) og [Figur 7](#).

BEMÆRK: [Figur 6](#) viser en måler med tre sondeporte. Nogle målermodeller har kun en eller to sondeporte.

Figur 6 Installation af portprop




Figur 7 Installation af USB-portprop



Sektion 6 Opstart

6.1 Start af måleren

Tryk på  to for at starte måleren. Hvis måleren ikke starter, skal du sørge for, at batteriet er installeret korrekt, eller at måleren er tilsluttet en strømkilde. Se [Oplad batteriet](#) på side 142.

6.2 Vælg sproget

Når måleren tændes for første gang, eller når der er installeret et nyt batteri, viser displayet skærbilledet til valg af sprog. Vælg det relevante sprog. Brugeren kan også ændre sproget i menuen Indstillinger.

6.3 Angiv dato og klokkeslæt

Når måleren tændes for første gang, eller når der er installeret et nyt batteri, viser displayet skærbilledet til valg af dato og klokkeslæt. Udfør følgende trin for at indstille dato og klokkeslæt.

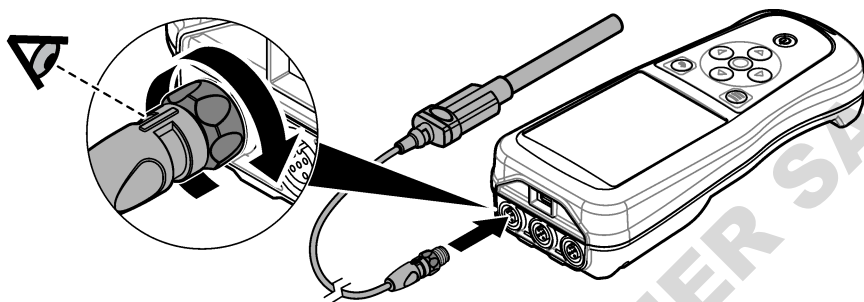
BEMÆRK: Brugeren kan også ændre dato og klokkeslæt i menuen Indstillinger.

1. Tryk på piletasterne op og ned for at vælge et datoformat.
2. Tryk på højre pil for at gå til dato og klokkeslæt.
3. Tryk på pil op og ned for at ændre dato og klokkeslæt.
4. Tryk på højre pil for at fremhæve Gem.
5. Vælg Gem for at gemme indstillingerne.

6.4 Tilslutning af sonden

Sørg for at indstille klokkeslæt og dato i måleren, før der tilsluttes en sonde. En sondes tidsstempel indstilles, når sonden sluttes til instrumentet første gang. Tidsstemplet registrerer automatisk sondehistorikken og det tidspunkt, hvor målingerne blev foretaget. Se [Figur 8](#) for oplysninger om, hvordan du slutter sonden til en måler.

Figur 8 Tilslut en sonde til måleren



Sektion 7 Brugergænseflade og betjening

Efter opstart viser displayet startskærmen. Se [Startskærbillede](#) på side 146. Brug tastaturet til at vælge de tilgængelige indstillinger og til at ændre værdier. Se [Tastatur](#) på side 148. Brug hovedmenuen til at gå til indstillingerne og andre menuer. Se [Hovedmenu](#) på side 149.

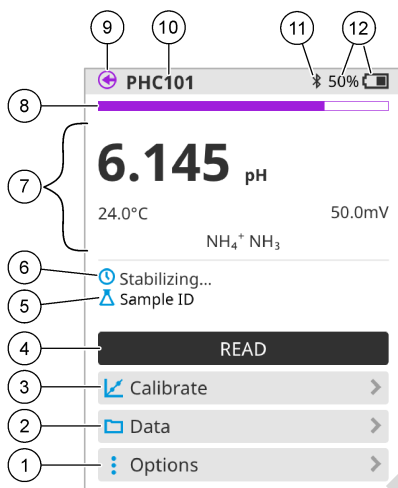
7.1 Startskærbillede

Displayet viser startskærmen, når måleren er tændt, og en sonde er tilsluttet måleren. Se [Figur 9](#). Modellerne HQ4100, HQ4200, HQ4300 har farvedisplay. For modeller med to eller tre sondeporte viser displayet alle de tilsluttede sonder. Se [Figur 10](#).

Følgende opgaver er tilgængelige fra startskærbilledet:

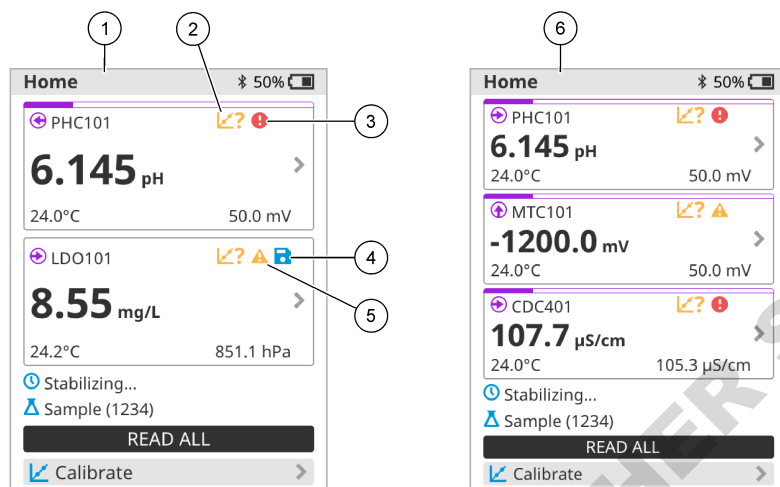
- Måling af prøver
- Kalibrering af sonden
- Verificer en kalibrering
- Indstil prøve-ID'er (identifikation)
- Få vist og administrer data
- Læs trinvisse instruktioner

Figur 9 Eksempel på startskærbillede – En sonde



1 Menuen Indstillinger: giver adgang til instruktioner og andre menuer	7 Afsnittet Måleværdi: viser den målte værdi, temperatur og enheder
2 Menuen Data: giver adgang til at få vist og administrere data	8 Indikator for målestabilitet: viser status for målingen
3 Knappen Kalibrer: påbegynder en kalibrering	9 Port til Intellical-sonde: viser portens placering for den tilsluttede sonde
4 Knappen Aflæs: læser prøvens eller standardopløsningens værdi	10 Navn på Intellical-sonde: viser modelnavnet på den tilsluttede sonde
5 Prøve-ID: viser navnet på den prøve, der måles	11 Bluetooth®-ikon (hvis Hach Communication Dongle er installeret): viser, hvornår en Bluetooth-forbindelse er aktiv
6 Måleområde: viser målestatus, prøve-ID, fejl og advarsler	12 Indikator for batteriopladning: viser procentdelen af batteriladningen

Figur 10 Eksempel på startskærbillede – To eller tre sonder

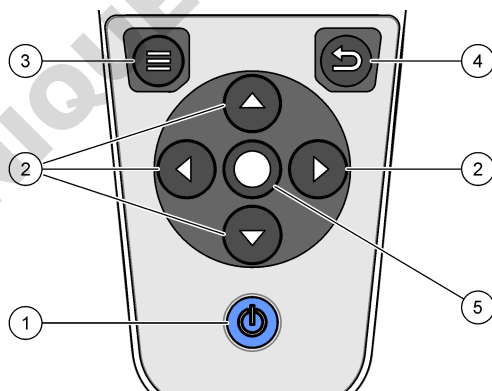


1 Startskærbillede med to sonder	4 Gem-ikon: målingsdataene er i dataloggen
2 Ikon for kalibreringer: angiver, at kalibreringen ikke blev accepteret eller er udløbet	5 Advarsels-ikon (se Fejlsøgning på side 153)
3 Fejl-ikon (se Fejlsøgning på side 153)	6 Startskærbillede med tre sonder

7.2 Tastatur


Se [Figur 11](#) for en beskrivelse af tastaturet.

Figur 11 Beskrivelse af tastatur

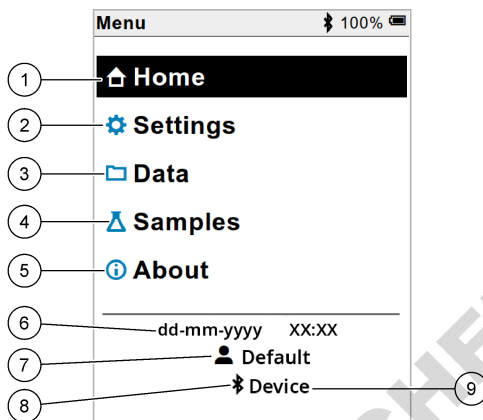


1 Til/fra-knap	4 Tilbage-knap
2 Navigationspile	5 Vælg-tast
3 Menu-knap	

7.3 Hovedmenu

Tryk på  for at gå til hovedmenuen. Se [Figur 12](#).

Figur 12 Beskrivelse af hovedmenuen



1 Startside	4 Menuen Prøve-ID	7 Bruger-ID
2 Menuen Indstillinger	5 Skærbilledet Om måleren	8 Bluetooth®-ikon (hvis HCD er installeret)
3 Menuen Data	6 Dato og klokkeslæt	9 Bluetooth®-enheds-ID (hvis HCD er installeret)

Sektion 8 Betjening

Dette afsnit indeholder generelle betjeningsanvisninger for måleren. Hvis du ønsker mere komplette instruktioner, skal du se vejledningen på skærmen i måleren eller i brugervejledningen til sonden.

8.1 Måling af prøver


Følgende trin er generelle trin til måling af prøver med måleren.

1. Vælg måletilstanden. Se [Målerindstillinger](#) på side 151.
2. Klargør prøven til måling. Se vejledningen på skærmen i måleren eller i brugervejledningen til sonden.
3. Mål prøven på følgende måde:
 - **Tryk for at læse-tilstand:** Vælg Aflæs (eller Aflæs alle) for at måle prøven, resultaterne gemmes automatisk. Måleren gemmer automatisk værdien.
 - **Interval-tilstand:** Vælg Start (eller Start alle) for at påbegynde målingerne. Måleren måler og gemmer automatisk prøvewærdien med de angivne tidsintervaller. Vælg Stop (eller Stop alle) for at stoppe målingerne.
 - **Kontinuerlig tilstand:** Måleren måler prøvewærdien kontinuerligt. Vælg Gem (eller Gem alle) for at gemme den værdi, der vises på displayet.

Efter hver måling vises resultatet på displayet. Gem-ikonet vises på displayet, hvis resultatet er gemt i dataloggen.

8.2 Kalibrering af sonden


De følgende trin er generelle trin for sondekalibrering med måleren. Hvis du vil ændre indstillingerne for kalibrering, skal du se [Indstillinger for sonde](#) på side 152 for nærmere oplysninger.

1. Fra startskærmbilledet skal du vælge  Kalibrer. Hvis der er tilsluttet mere end én sonde, vælges den sonde, der skal kalibreres. Displayet viser den eller de opløsninger, der skal bruges til kalibreringen.
2. Klargør de buffere eller standardopløsninger, der skal bruges til kalibrering. Følg vejledningen på skærmen til måleren eller brugervejledningen til sonden.
3. Vælg Aflæs for at påbegynde kalibreringen. Måleren måler værdien af kalibreringsopløsningen. Når målingen er færdig, viser displayet resultatet.
4. Vælg Aflæs for at måle værdien af de andre buffere eller standardopløsninger, hvis relevant. Vælg Gem for at gemme kalibreringen.

BEMÆRK: Hvis kalibreringen ikke accepteres, skal du se vejledningen til fejlfinding på skærmen i måleren eller brugervejledningen til sonden.

8.3 Verificering af kalibreringen

De trin, der følger, er generelle trin for at verificere en sondekalibrering med måleren. Hvis du vil ændre indstillingerne for verificering, skal du se [Indstillinger for sonde](#) på side 152 for nærmere oplysninger.

1. Fra startskærmbilledet skal du vælge Indstillinger > Verificer kalibrering. Displayet viser den buffer eller standardopløsning, der skal bruges til verificering.
2. Klargør den buffer eller standardopløsning, der skal bruges til verificering. Følg vejledningen på skærmen til måleren eller brugervejledningen til sonden.
3. Vælg Aflæs for at påbegynde verificeringen. Måleren måler værdien af verificeringsopløsningen. Når målingen er færdig, viser displayet resultatet.
4. Hvis verificeringen er gennemført korrekt , skal du vælge Gem for at gemme resultatet.

BEMÆRK: Hvis verificeringen ikke accepteres, skal du se vejledningen til fejlfinding på skærmen i måleren eller brugervejledningen til sonden.

8.4 Medtag prøve-ID med måledata


Instrumentet kan gemme et prøvenavn (ID) med de lagrede måledata. Angiv flere prøvenavne i instrumentet, og vælg derefter det relevante prøvenavn, før prøverne måles. Instrumentet tilføjer tal til prøver med samme navn, f.eks. "Prøvenavn (2)".

1. Tryk på  og vælg Prøver.
2. Vælg en funktion.

Indstilling	Beskrivelse
Prøve	Vælger det prøvenavn, der skal gemmes sammen med prøvemålingerne.
Opret en ny prøve	Åbner en skærm for at tilføje nye prøvenavne. Prøvenavne kan indeholde bogstaver og tal.
Slet prøver	Fjerner prøvenavne.

8.5 Medtag bruger-ID med lagrede data

Instrumentet kan registrere et brugernavn (ID) med de lagrede data. Angiv flere brugernavne i instrumentet, og vælg derefter det relevante brugernavn, før kalibreringerne eller målingerne påbegyndes.


1. Tryk på  og vælg Indstillinger. Listen med indstillinger vises.
2. Vælg Brugere.
3. Vælg en funktion.

Indstilling	Beskrivelse
Bruger	Vælger brugernavnet Det valgte brugernavn vises på hovedmenuskærmen og gemmes sammen med de lagrede data.
Opret ny bruger	Åbner en skærm for at tilføje nye brugernavne. Brugernavne kan indeholde bogstaver og tal.
Slet brugere	Fjerner brugernavne.

Sektion 9 Målerindstillinger

Udfør trinnene, der følger for at ændre de generelle indstillinger for måleren.

BEMÆRK: Adgangskodebeskyttelse kan forhindre uautoriseret adgang til nogle menuer. Se online brugermanualen for information om adgangskontrol.

1. Tryk på  og vælg Indstillinger. Listen med indstillinger vises.
2. Vælg en funktion.


Indstilling	Beskrivelse
[Probenavn]	Ændrer sonde-specifikke indstillinger for målinger, kalibrering og verifikation. Se Indstillinger for sonde på side 152 for at ændre indstillingerne for den tilsluttede sonde.
Måletilstand	Indstiller når målingerne startes. Valgmuligheder: Tryk for at aflæse., Kontinuerlig eller Interval. Tryk for at aflæse.: Prøven måles kun ved tryk på Aflæs. Data gemmes automatisk i dataloggen, når stabilitetskriterierne er opfyldt. Interval: Prøven måles med regelmæssige intervaller i en specificeret varighed. Data gemmes automatisk i dataloggen. Kontinuerlig: Måleren måler prøveværdien kontinuerligt. Data gemmes kun i dataloggen, når brugeren vælger Gem.
Temperatur	Indstiller temperaturenhederne til °C eller °F.
Display	Ændrer indstillingerne for displayet. Valgmuligheder: Lysstyrke, Baggrundsbelysning og Nedulkning. Lysstyrke: Ændrer baggrundsbelysningens intensitet. Valgmuligheder: 10 til 100% (standardværdi: 50%). Baggrundsbelysning: Sætter baggrundsbelysningen til, når måleren ikke bruges i et bestemt tidsrum. Valgmuligheder: 15 sekunder, 30 sekunder, 1 minut, 5 minutter eller Aldrig. Nedulkning: Lukker instrumentet ned, når det ikke bruges i et bestemt tidsrum. Valgmuligheder: 1 minut, 2 minutter, 5 minutter, 10 minutter, 30 minutter, 1 time, 2 timer eller Aldrig.
Lyd	Indstiller måleren til at lave en lyd under tastetryk eller underretninger. Valgmuligheder: Tastetryk, Stabilitetsalarm, Påmindelse, Fejl-/advarselsmeddelelse eller (batteri) Opladning udført .
Brugere	Vælger en bruger, tilføjer en ny bruger eller sletter en bruger.
Dato-klokkeslæt	Indstiller dato / tidsformat, dato og tid i måleren.
Sprog	Indstiller målerens sprog.

Indstilling	Beskrivelse
Adgang	Indstiller en adgangskode for at forhindre adgang til sondeindstillinger, nogle meterindstillinger (målemetode, temperatur, sprog) og softwareopdateringer. En bruger uden adgangskode kan ikke slette indstillinger eller data, når adgangskontrollen er aktiveret.
Diagnostik	Opretter en diagnosefil til teknisk support eller service, hvis der opstår et teknisk problem. Brugeren skal tilslutte måleren til en pc for at hente filen.

Sektion 10 Indstillinger for sonde

Når en sonde er tilsluttet måleren, kan brugeren ændre sondens indstillinger for målinger, kalibreringer og verificeringer. Se følgende trin for at få adgang til indstillingerne for den tilsluttede sonde. Se målerens brugervejledning, hvis du ønsker en komplet beskrivelse af indstillingerne.

BEMÆRK: Adgangskodebeskyttelse kan forhindre uautoriseret adgang til nogle menuer. Se brugervejledningen online for at få oplysninger om sikkerhedsindstillinger.

1. Tryk på  og vælg Indstillinger. Listen med indstillinger vises.
2. Vælg sondens navn.
3. Vælg den passende indstilling: Måling, Kalibrering eller Verifikation.

Sektion 11 Datastyring

Måleren gemmer dataene fra prøvemålinger, kalibreringer og verificeringer som følger:

- Prøvemålinger – Måleren gemmer automatisk de målte prøvedata, når måletilstanden er Tryk for at læse eller Interval. Når måletilstanden er Kontinuerlig, skal brugeren vælge Gem for at gemme de målte prøvedata. Ikonet Gem vises på startskærmen, når de målte prøvedata er i dataloggen.
- Kalibreringsdata – Brugeren skal vælge Gem for at gemme kalibreringsdataene. Kalibreringsdataene gemmes i måleren og i Intellical-sonden.
- Verificeringsdata – Brugeren skal vælge Gem for at gemme verificeringsdataene.

Udfør de følgende trin for at få vist, eksportere eller slette data.

1. Tryk på  og vælg Data, eller vælg Data fra startskærbilledet.
2. Vælg en funktion.

Indstilling	Beskrivelse
Få vist data	<p>Viser dataene i dataloggen. De seneste data vises først. Tryk på pil ned for at få vist flere data. Ikonet for kalibrering viser, hvornår datatypen er kalibreringsdata. Ikonet for verificering viser, hvornår datatypen er verificeringsdata.</p> <p>Hvis du vil se flere oplysninger om et datapunkt, skal du vælge en datarække og trykke på den højre pil. Hvis du vil anvende et filter og kun få vist de filtrerede data, skal du trykke på venstre pil og vælge et parameter, en datatype eller et datointerval.</p>
Eksporter data	<p>Sender en kopi af alle dataene i dataloggen til en tilsluttet pc eller en USB-lagerenhed. Hvis du vil slutte instrumentet til en pc, skal du se Figur 4 på side 143 for nærmere oplysninger. Hvis du vil slutte instrumentet til en standard USB-lagerenhed, skal du bruge en adapter for micro-USB til USB type A. Alternativt kan du bruge en USB-lagerenhed, der har et micro-USB-stik.</p> <p>Når instrumentet slutes til en pc, åbnes et Stifinder-vindue til et drev med navnet "HQ-Series". Udvid drevet, og søg efter en undermappe med målerens navn og serienummer. Datafilen vises som en .csv-fil, hvor dato og klokkeslæt udgør filnavnet. Gem .csv-filen på en placering på pc'en.</p> <p>BEMÆRK: Hvis Stifinder-vinduet ikke åbnes automatisk, skal du åbne et Stifinder-vindue og søge efter et drev med navnet "HQ-Series".</p>

Indstilling	Beskrivelse
Kalibreringshistorik	Viser de aktuelle og tidligere kalibreringsdata for en tilsluttet sonde.
Slet data	Sletter alle data i dataloggen. Adgangskodebeskyttelse kan forhindre uautoriseret adgang til indstillinger for sletning af data.

Sektion 12 Vedligeholdelse

▲ FORSIGTIG



Flere risici. Kun kvalificeret personale må udføre de opgaver, som er beskrevet i dette afsnit i dokumentet.

12.1 Rengør instrumentet

Rengør instrumentet udvendigt med en fugtig klud og en mild sæbeopløsning, og tør derefter instrumentet efter behov.

12.2 Udskiftning af batteriet

Udskift batteriet, når batteriet ikke kan oplades eller ikke kan holde en opladning. Brug kun det batteri og den batterioplader, der leveres af producenten. Se [Isætning af batterier](#) på side 141.

12.3 Klargøring til forsendelse

Instrumentet indeholder et litium-ion-batteri, der er klassificeret som farligt materiale. Derfor skal reglerne for farligt gods overholdes ved alle transportformer. Brug følgende fremgangsmåder, når du skal transportere instrumentet med henblik på reparation eller vedligeholdelse:

- Frakobl sonderne før forsendelse.
- Rengør og desinficer instrumentet før forsendelse.
- For at opretholde den bedst mulige sikkerhed skal du fjerne litium-ion-batteriet fra enheden og ikke medsende batteriet. Hvis batteriet skal sendes, skal batteriet være installeret i batterirummet, men batterirummet må ikke være tilsluttet instrumentet. Kom batterirummet med det installerede batteri i separat emballage for at forhindre kontakt med elektrisk ledende materialer (f.eks. metaller).
- Send instrumentet i den oprindelige emballage, eller send instrumentet i en alternativ beskyttelsesemballage.

Sektion 13 Fejlsøgning

13.1 Brug af vejledningen på skærmen til fejlfinding

Brugergrænsefladen tilbyder instruktioner til fejlfinding, der hjælper med at løse problemer, der kan opstå under målinger, kalibreringer og verificeringer. Når der opstår et problem, viser displayet fejlikonet ⓘ eller advarselsikonet ▲ med en kort beskrivelse af problemet. Tryk på højre pil for at se de anbefalede fremgangsmåder til at løse problemet.

Sektion 14 Reservedele

▲ ADVARSEL



Fare for personskade. Anvendelse af ikke-godkendte dele kan medføre personskade, beskadigelse af instrumentet eller fejlfunktion af udstyret. Reservedelene i dette afsnit er godkendt af producenten.

BEMÆRK: Produkt- og varenumre kan variere i visse salgsregioner. Kontakt den relevante distributør, eller se virksomhedens webside for kontakttinformation.

Reserve dele

Beskrivelse	Varenr.
Batteri, litium-ion, 18650, 3200 mAh, engelsk	LEZ015.99.00001
Batteri, litium-ion, 18650, 3100 mAh, kinesisk	LEZ015.80.00001
Kabel, USB 2.0-stik type A til micro-stik type B, 0,91 m (3 ft)	LEZ015.99.00002
Kuffert til standard sonder	LEZ015.99.A001A
Kuffert til robuste sonder	LEZ015.99.A002A
Håndledsrem og blindpropper	LEZ015.99.A005A
Stander med håndstrop	LEZ015.99.A003A
Beskyttelseskappe	LEZ015.99.A004A
USB-strømadapter, 5 VDC, 2 A, 100-240 VAC, US	LEZ015.99.00006
USB-strømadapter, 5 VDC, 2 A, 100-240 VAC, EU + UK	LEZ015.99.00004
USB-strømadapter, 5 VDC, 2 A, 100-240 VAC, Kina	LEZ015.99.00005
USB-strømadapter, 5 VDC, 2 A, 100-240 VAC, ROW	LEZ015.99.00007

Inhoudsopgave

- 1 [Online gebruikershandleiding](#) op pagina 155
- 2 [Productoverzicht](#) op pagina 155
- 3 [Specificaties](#) op pagina 156
- 4 [Algemene informatie](#) op pagina 157
- 5 [Installatie](#) op pagina 159
- 6 [Opstarten](#) op pagina 164
- 7 [Gebruikersinterface en navigatie](#) op pagina 165
- 8 [Bediening](#) op pagina 168
- 9 [Meterinstellingen](#) op pagina 170
- 10 [Sensor-instellingen](#) op pagina 171
- 11 [Gegevensbeheer](#) op pagina 171
- 12 [Onderhoud](#) op pagina 172
- 13 [Problemen oplossen](#) op pagina 173
- 14 [Reserveonderdelen](#) op pagina 173

Hoofdstuk 1 Online gebruikershandleiding

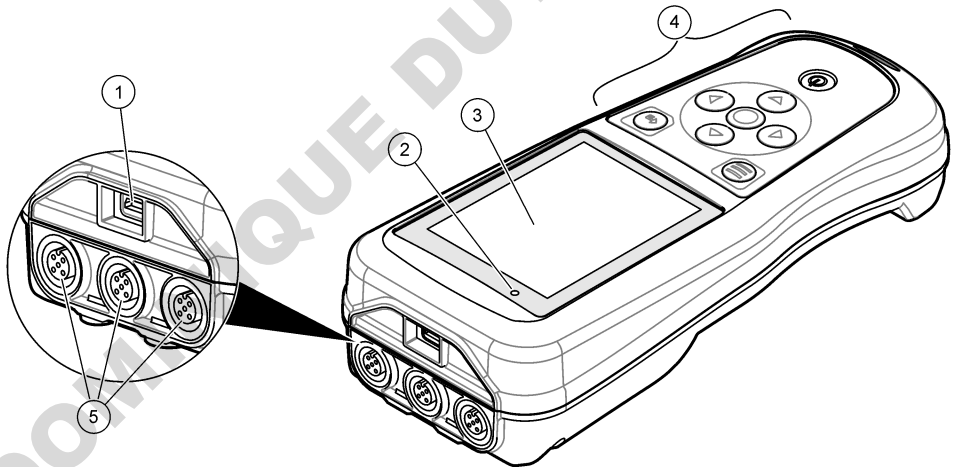
Deze basisgebruikershandleiding bevat minder informatie dan de gebruikershandleiding, die beschikbaar is op de website van de fabrikant.

Hoofdstuk 2 Productoverzicht

De HQ Series draagbare meters worden gebruikt met digitale Intellical- sensoren voor het meten van een of meer parameters voor de waterkwaliteit. Raadpleeg [Afbeelding 1](#). De meter herkent automatisch het type sensor dat is aangesloten. De meter kan worden aangesloten op een PC of USB-opslagapparaat om gegevens over te zetten die in de meter zijn opgeslagen. De optionele Hach-communi tiedongle (HCD) verbindt de meter met Claros.

De HQ Series draagbare meters zijn verkrijgbaar in acht modellen. [Tabel 1](#) toont de typen sensoren die op elk model kunnen worden aangesloten.

Afbeelding 1 Productoverzicht



1 Micro-USB-connector	4 Toetsenblok
2 LED-indicator	5 Intellical-sensortoorten (optie met drie sensortoorten weergegeven)
3 Display	

Tabel 1 HQ Series-metermodellen

Model	Sensorconnectors	pH/mV/redox ¹ sensoren	LDO/LBOD ² sensoren	Geleidbaarheid ³ sensoren	ISE ⁴ sensoren
HQ1110	1	✓			
HQ1130	1		✓		
HQ1140	1			✓	
HQ2100	1	✓	✓	✓	
HQ2200	2	✓	✓	✓	
HQ4100	1	✓	✓	✓	✓
HQ4200	2	✓	✓	✓	✓
HQ4300	3	✓	✓	✓	✓

Hoofdstuk 3 Specificaties

Specificaties kunnen zonder kennisgeving vooraf worden gewijzigd.

Specificatie	Details
Afmetingen (L x B x H)	22 x 9.7 x 6.3 cm (8.7 x 3.8 x 2.5 inch)
Gewicht	HQ1110, HQ1130, HQ1140 en HQ2100: 519 g (18,3 oz); HQ2200: 541 g (19,1 oz); HQ4100: 530 g (18,7 oz); HQ4200: 550 g (19,4 oz); HQ4300: 570 g (20,1 oz)
Beschermingsklasse behuizing	IP67 met batterijvak geïnstalleerd
Voeding (intern)	Oplaadbare lithium-ionbatterij 18650 (diameter 18 mm x lengte 65 mm, cilindrisch), 3,7 VDC, 3200 mAh; Levensduur batterij: > 1 week bij typisch gebruik (10 meetwaarden/dag, 5 dagen/week in modus Continu of Druk om te lezen, of > 24 uur in Intervalmodus met intervallen van 5 minuten en shutdowntimer ≤ 15 minuten)
Voeding (extern)	Klasse II, USB-voedingsadapter: 100–240 VAC, 50/60 Hz invoer; 5 VDC bij 2A-uitvoer USB-voedingsadapter
Beschermingsklasse meter	IEC-klasse III (SELV-voeding (Separated/Safety Extra-Low Voltage)); USB-voedingsadapter is IEC-klasse II (dubbel geïsoleerd)
Bedrijfstemperatuur	0 tot 60 °C (32 tot 140 °F)
Oplaattemperatuur	10 tot 40 °C (50 tot 104 °F)
Luchtvochtigheid gebruik	90% (niet-condenserend)
Opslagtemperatuur	–20 tot 60 °C (–4 tot 140 °F) maximaal 90 % relatieve vochtigheid (niet-condenserend)
Sensorconnector	5-polige M12-connector voor Intellical-sensoren
Micro-USB-connector	De micro-USB-aansluiting maakt aansluiting van een USB-kabel en een USB-voedingsadapter mogelijk.
Datalog (intern)	HQ1000 Series: 5000 gegevenspunten; HQ2000 Series: 10.000 gegevenspunten; HQ4000 Series: 100.000 gegevenspunten

¹ pH/mV/redox-sensoren inclusief temperatuur

² LDO/LBOD-sensoren inclusief temperatuur

³ Geleidbaarheidssensoren inclusief zoutgehalte, TDS (totaal opgeloste vaste stoffen), weerstand, temperatuur

⁴ Ionselectieve sensoren zoals ammoniak, nitraat, chloride, fluoride, natrium

Specificatie	Details
Gegevensopslag	Automatische opslag in modi Druk om te lezen en Interval. Handmatige opslag in de modus Continu.
Gegevensuitvoer	USB-aansluiting naar PC of USB-opslagapparaat (beperkt tot de capaciteit van het opslagapparaat)
Temperatuurcorrectie	Uit, automatisch en handmatig (parameterspecifiek)
Certificeringen	CE, UKCA, FCC, ISED, RCM, KC, ETL Verified: US DOE/ NRCan Energy Efficiency, RoHS
Garantie	HQ1000 en HQ2000 Series: 1 jaar (VS), 2 jaar (EU); HQ4000 series: 3 jaar (VS), 3 jaar (EU)

Hoofdstuk 4 Algemene informatie

In geen geval is de fabrikant aansprakelijk voor schade die het gevolg is van onjuist gebruik van het product of het niet opvolgen van de instructies in de handleiding. De fabrikant behoudt het recht om op elk moment, zonder verdere melding of verplichtingen, in deze handleiding en de producten die daarin worden beschreven, wijzigingen door te voeren. Gewijzigde versies zijn beschikbaar op de website van de fabrikant.

4.1 Veiligheidsinformatie

De fabrikant is niet verantwoordelijk voor enige schade door onjuist toepassen of onjuist gebruik van dit product met inbegrip van, zonder beperking, directe, incidentele en gevolgschade, en vrijwaart zich volledig voor dergelijke schade voor zover dit wettelijk is toegestaan. Uitsluitend de gebruiker is verantwoordelijk voor het identificeren van kritische toepassingsrisico's en het installeren van de juiste mechanismen om processen te beschermen bij een mogelijk onjuist functioneren van apparatuur.

Lees deze handleiding voor het uitpakken, installeren of gebruiken van het instrument. Let op alle waarschuwingen. Wanneer u dit niet doet, kan dit leiden tot ernstig persoonlijk letsel of schade aan het instrument.

Controleer voor gebruik of het instrument niet beschadigd is. Het instrument mag op geen andere wijze gebruikt worden dan als in deze handleiding beschreven.

4.2 Gebruik van gevareninformatie

▲ GEVAAR

Geeft een potentieel gevaarlijke of dreigende situatie aan die, als deze niet kan worden voorkomen, kan resulteren in dodelijk of ernstig letsel.

▲ WAARSCHUWING

Geeft een potentieel of op handen zijnde gevaarlijke situatie aan, die als deze niet wordt vermeden, kan leiden tot de dood of ernstig letsel.

▲ VOORZICHTIG

Geeft een mogelijk gevaarlijke situatie aan die kan resulteren in minder ernstig letsel of lichte verwondingen.

LET OP

Duidt een situatie aan die (indien niet wordt voorkomen) kan resulteren in beschadiging van het apparaat. Informatie die speciaal moet worden benadrukt.

4.3 Waarschuwingsetiketten

Lees alle labels en etiketten die op het instrument zijn bevestigd. Het niet naleven van deze waarschuwingen kan leiden tot letsel of beschadiging van het instrument. In de handleiding wordt door middel van een veiligheidsvoorschrift uitleg gegeven over een symbool op het instrument.

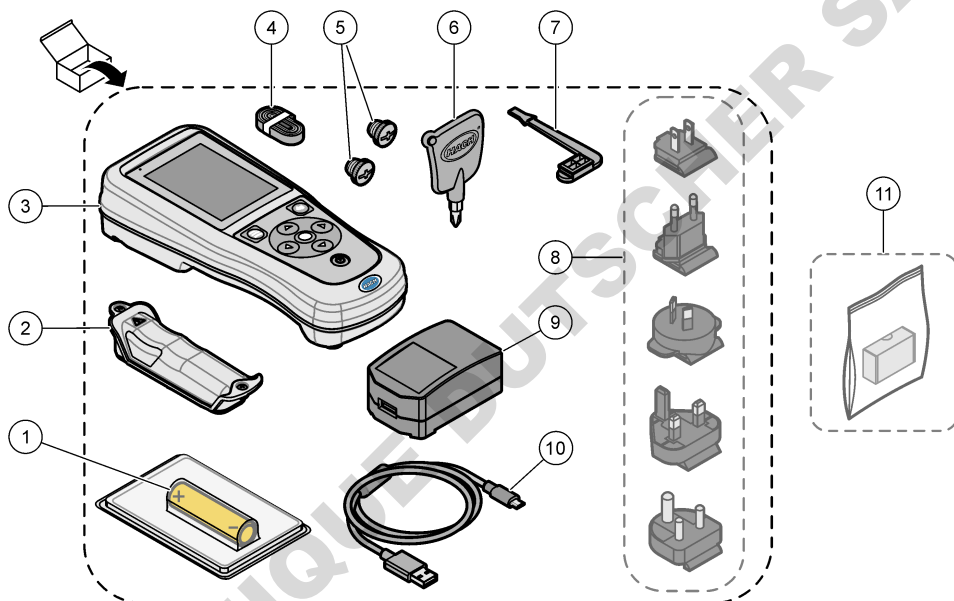


Elektrische apparatuur gemarkeerd met dit symbool mag niet worden afgevoerd via Europese systemen voor afvoer van huishoudelijk of openbaar afval. Oude apparatuur of apparatuur aan het einde van zijn levensduur kan naar de fabrikant worden geretourneerd voor kosteloze verwerking.

4.4 Productcomponenten

Controleer of alle componenten zijn ontvangen. Raadpleeg [Afbeelding 2](#). Neem onmiddellijk contact op met de fabrikant of een verkoopvertegenwoordiger in geval van ontbrekende of beschadigde onderdelen.

Afbeelding 2 Productcomponenten



1 Oplaadbare lithium-ionbatterij	7 USB-poort bescherm dop
2 Batterijvak	8 Optionele voedingspluggen
3 Meter	9 USB-voedingsadapter
4 Handkoord	10 USB-kabel, type A naar micro, 1 m (3,3 ft)
5 Sensorconnector bescherm dop	11 Optionele Hach-communicatiedongle (HCD)
6 Schroevendraaier (#1 kruiskop)	

4.5 Certificering

Canadese norm inzake apparatuur die radio-interferentie veroorzaakt, ICES-003, Klasse A:

Aanvullende informatie en testresultaten zijn via de fabrikant verkrijgbaar.

Dit apparaat van klasse B voldoet aan alle eisen van de Canadese norm IECS-003.

Cet appareil numérique de classe B répond à toutes les exigences de la réglementation canadienne sur les équipements provoquant des interférences.

FCC deel 15, bepalingen klasse "B"

Aanvullende informatie en testresultaten zijn via de fabrikant verkrijgbaar. Dit instrument voldoet aan Deel 15 van de FCC-voorschriften. Het gebruik van dit instrument is aan de volgende voorwaarden onderworpen:

1. Het instrument mag geen schadelijke storingen veroorzaken.
2. Het instrument moet elke willekeurige ontvangen storing accepteren, inclusief storingen die mogelijk een ongewenste invloed kunnen hebben.


Door veranderingen of aanpassingen aan dit toestel die niet uitdrukkelijk zijn goedgekeurd door de partij verantwoordelijk voor certificering, kan de certificering van dit instrument komen te vervallen. Dit apparaat is getest en voldoet aan de normen voor een elektrisch instrument van Klasse B, volgens Deel 15 van de FCC-voorschriften. Deze bepalingen zijn vastgesteld om een redelijke bescherming te bieden tegen hinderlijke storingen wanneer het instrument in een commerciële omgeving wordt gebruikt. Dit instrument produceert en gebruikt radiogolven, en kan deze uitstralen. Als het niet wordt geïnstalleerd en gebruikt volgens de handleiding, kan het hinderlijke storing voor radiocommunicatie veroorzaken. Gebruik van het instrument in een woonomgeving zal waarschijnlijk zorgen voor hinderlijke storing. De gebruiker dient deze storing dan op eigen kosten te verhelpen. Om storingen op te lossen kan het volgende worden geprobeerd:

1. Plaats het apparaat weg van het apparaat waarop de storing van toepassing is.
2. Verplaats de ontvangstantenne voor het apparaat dat de storing ontvangt.
3. Probeer verschillende combinaties van de hierboven genoemde suggesties.

4.6 Hach-communicatiedongle (optioneel)

De optionele Hach-communicatiedongle (HCD) maakt gebruik van Bluetooth^{®5} Low Energy voor communicatie met Claros. Volg alle richtlijnen en waarschuwingen van de fabrikant op om het apparaat te installeren en te bedienen. Raadpleeg de documentatie die bij de HCD wordt geleverd.

4.7 Gebruiksdoel

⚠ VOORZICHTIG	
	Gevaar van blootstelling aan chemicaliën. Volg alle veiligheidsvoorschriften van het laboratorium op en draag alle persoonlijke beschermingsmiddelen die geschikt zijn voor de gehanteerde chemicaliën. Raadpleeg de huidige veiligheidsinformatiebladen (MSDS/SDS) voor veiligheidsprotocollen.

De HQ Series draagbare meters zijn bedoeld voor gebruik door personen die de waterkwaliteitsparameters in het laboratorium of op locatie meten. De HQ Series meters behandelen of veranderen water niet.

Hoofdstuk 5 Installatie

⚠ GEVAAR	
	Diverse gevaren. Alleen bevoegd personeel mag de in dit deel van het document beschreven taken uitvoeren.

⁵ Het Bluetooth[®]-woordmerk en de logo's zijn gedeponeerde handelsmerken van Bluetooth SIG, Inc. en elk gebruik van deze merken door Hach is onder licentie.

5.1 Veiligheid lithiumbatterij

▲ WAARSCHUWING



Brand- en explosiegevaar. Lithiumbatterijen kunnen onder ongunstige omstandigheden heet worden, exploderen of in brand vliegen en ernstig letsel veroorzaken.

- Gebruik de batterij niet bij zichtbare beschadigingen.
- Gebruik de batterij niet als deze blootgesteld is geweest aan een krachtige schok of sterke trillingen.
- Stel de batterij niet bloot aan vuur of ontstekingen.
- Stel de batterij niet bloot aan temperaturen hoger dan 70 °C (158 °F).
- Bewaar de batterij droog en uit de buurt van water.
- Voorkom contact tussen de plus- en minpool van de batterij.
- Laat geen onbevoegden aan de batterij komen.
- Het afvoeren van de batterij dient in overeenstemming met de plaatselijke, regionale en nationale regelgeving te gebeuren.
- Gebruik of bewaar het instrument niet in direct zonlicht, in de buurt van warmtebronnen of in een omgeving met een hoge temperatuur, zoals een afgesloten voertuig in de hete zon.

5.2 De batterij plaatsen

▲ WAARSCHUWING



Brand- en explosiegevaar. Dit apparaat bevat een lithiumbatterij met een hoge energiedichtheid die ontvlambaar is en brand of een explosie kan veroorzaken, zelfs zonder voeding. Om de veiligheid van de behuizing van het instrument te waarborgen, moeten de behuizingsdeksels worden aangebracht en vastgezet met het meegeleverde bevestigingsmateriaal.

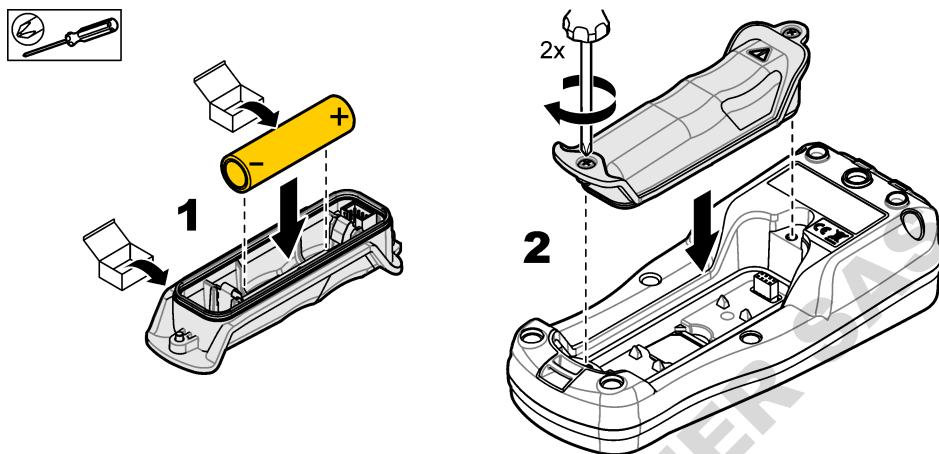
▲ WAARSCHUWING



Explosie- en brandgevaar. Alternatieven voor de batterijen worden niet toegestaan. Gebruik uitsluitend de batterijen die door de fabrikant van het instrument zijn meegeleverd.

Gebruik alleen de door de fabrikant geleverde oplaadbare lithium-ionbatterij. Raadpleeg [Afbeelding 3](#) voor het plaatsen of verwijderen van de batterij.

Afbeelding 3 Batterij plaatsen en verwijderen



5.3 De batterij opladen

⚠ GEVAAR



Elektrocutede gevaar. Als dit apparaat buiten of op mogelijk natte locaties wordt gebruikt, dient de hoofdstroomvoorziening van het instrument te zijn voorzien van een aardlekschakelaar.

⚠ WAARSCHUWING



Brandgevaar. Gebruik alleen de externe voeding die is opgegeven voor dit instrument.

⚠ WAARSCHUWING



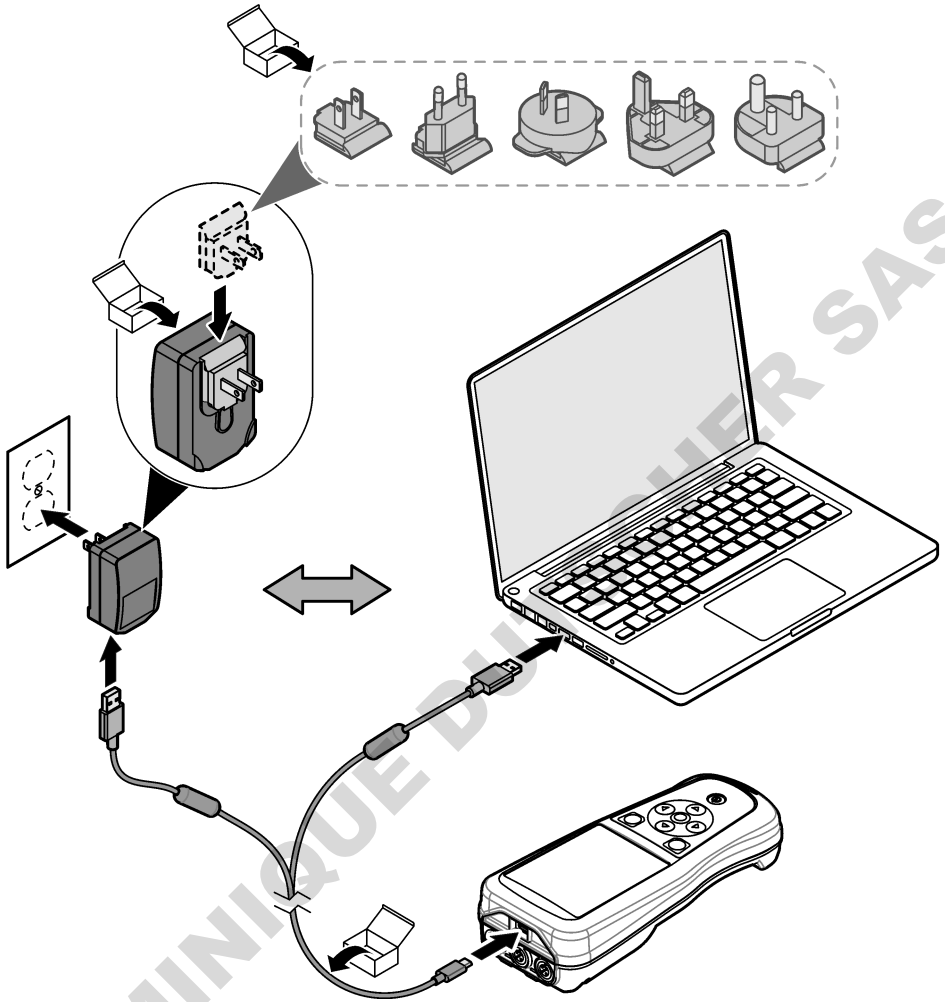
Gevaar van elektrische schokken. Extern aangesloten apparatuur moet in het betreffende land beoordeeld worden op veiligheid.

LET OP

Breng altijd de USB-poortplug aan wanneer de poort niet in gebruik is, om de poort schoon te houden en corrosie te voorkomen. Laad de batterij niet op als de USB-poort nat of vuil is of corrosie vertoont. Zie [De USB- en sensorpoortpluggen aanbrengen](#) op pagina 163.

Gebruik de meegeleverde USB-kabel en USB-voedingsadapter of een PC om de batterij op te laden. Zie [Afbeelding 4](#). Wanneer het instrument is aangesloten op voeding en er op de aan/uit-toets wordt gedrukt, brandt de groene LED-indicator. De gebruiker kan het instrument bedienen terwijl de batterij wordt opgeladen. Een batterij die volledig ontladen is, wordt in ongeveer 5 uur volledig opgeladen wanneer de USB-voedingsadapter wordt gebruikt en het instrument is uitgeschakeld. Zorg ervoor dat u de stekker van de USB-poort aanbrengt wanneer de USB-poort niet in gebruik is. Zie [De USB- en sensorpoortpluggen aanbrengen](#) op pagina 163.

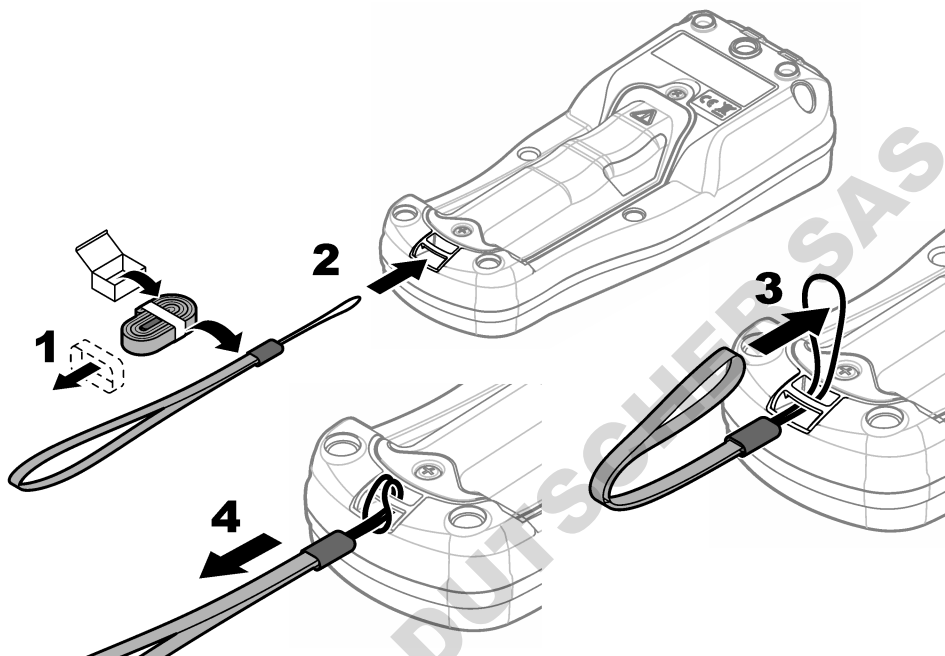
Afbeelding 4 Aansluiten op de USB-voedingsadapter of een PC



5.4 Het koord aanbrengen

Breng het koord aan om de meter veilig vast te houden. Raadpleeg [Afbeelding 5](#).

Afbeelding 5 Plaatsing van koord

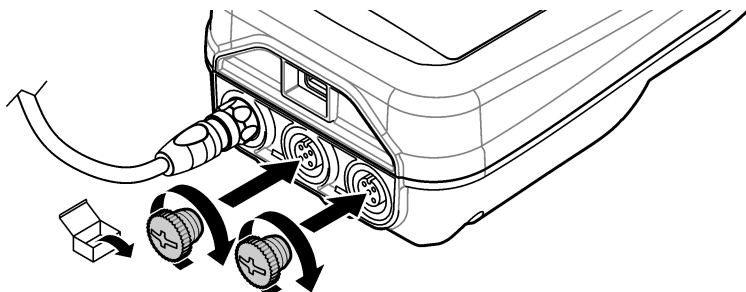


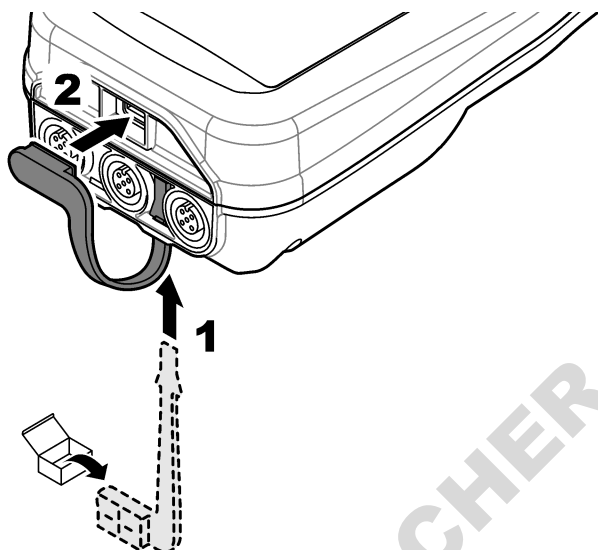
5.5 De USB- en sensorpoortpluggen aanbrengen

Zorg ervoor dat u de poortpluggen in de USB- en sensorpoort(en) plaatst wanneer de poorten niet in gebruik zijn, om de poorten schoon te houden en corrosie te voorkomen. De poortpluggen moeten in de lege poorten worden aangebracht om de beschermingsgraad van het instrument te behouden. Zie [Afbeelding 6](#) en ons [Afbeelding 7](#).

Opmerking: [Afbeelding 6](#) toont een meter met drie sensorpoorten. Sommige metermodellen hebben slechts een of twee sensorpoorten.


Afbeelding 6 Aanbrengen van de beschermdop





Hoofdstuk 6 Opstarten

6.1 De meter starten

Druk op  om de meter te starten. Als de meter niet start, controleer dan of de batterij correct is geplaatst en of de meter is aangesloten op een voedingsbron. Raadpleeg [De batterij opladen](#) op pagina 161.

6.2 Gewenste taal kiezen

Wanneer de meter voor de eerste keer wordt ingeschakeld of wanneer een nieuwe batterij wordt geplaatst, wordt op het display het scherm voor taalselectie weergegeven. Selecteer de juiste taal. De gebruiker kan de taal ook wijzigen via het menu Instellingen.

6.3 Datum en tijd instellen

Wanneer de meter voor de eerste keer wordt ingeschakeld of wanneer een nieuwe batterij wordt geplaatst, wordt op het display het scherm Datum-Tijd weergegeven. Voer de volgende stappen uit om de datum en tijd in te stellen.

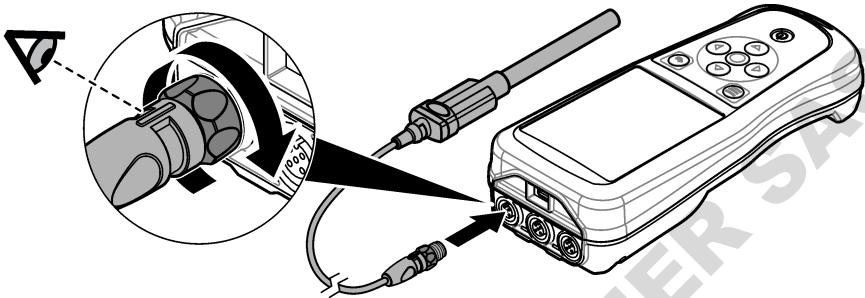
Opmerking: De gebruiker kan de datum en tijd ook wijzigen via het menu Instellingen.

1. Druk op de pijlen omhoog en omlaag om een datumnotatie te selecteren.
2. Druk op de pijl naar rechts om naar de datum en tijd te gaan.
3. Druk op de pijltoetsen omhoog en omlaag om de datum en tijd te wijzigen.
4. Druk op de pijl naar rechts om Opslaan te markeren.
5. Selecteer Opslaan om de instellingen te behouden.

6.4 Een sensor aansluiten

Zorg ervoor dat u de tijd en datum in de meter instelt voordat u een sensor aansluit. Het tijdstempel voor een sensor wordt ingesteld wanneer de sensor voor het eerst wordt aangesloten op de meter. Het tijdstempel legt automatisch de sensorhistorie en het tijdstip waarop de metingen worden uitgevoerd vast. Raadpleeg [Afbeelding 8](#) voor het aansluiten van een sensor op de meter.

Afbeelding 8 Een sensor op de meter aansluiten



Hoofdstuk 7 Gebruikersinterface en navigatie

Na het opstarten wordt op het display het startscherm weergegeven. Raadpleeg [Beginscherm](#) op pagina 165. Gebruik het toetsenblok om de beschikbare opties te selecteren en waarden te wijzigen. Raadpleeg [Toetsenblok](#) op pagina 167. Gebruik het hoofdmenu om naar de instellingen en andere menu's te gaan. Raadpleeg [Hoofdmenu](#) op pagina 168.

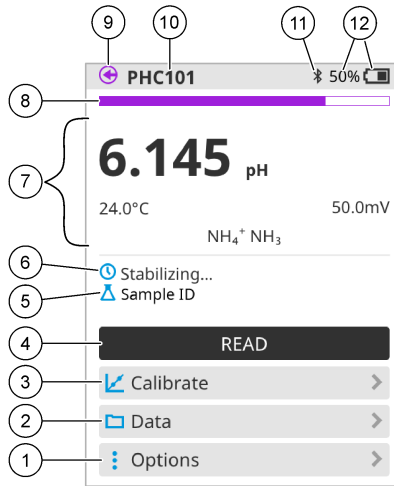
7.1 Beginscherm

Het display toont het startscherm wanneer de meter is ingeschakeld en er een sensor op de meter is aangesloten. Raadpleeg [Afbeelding 9](#). De modellen HQ4100, HQ4200 en HQ4300 hebben een kleurendisplay. Bij modellen met twee of drie sensorpoorten toont het scherm alle aangesloten sensoren. Raadpleeg [Afbeelding 10](#).

De volgende taken zijn beschikbaar op het startscherm:

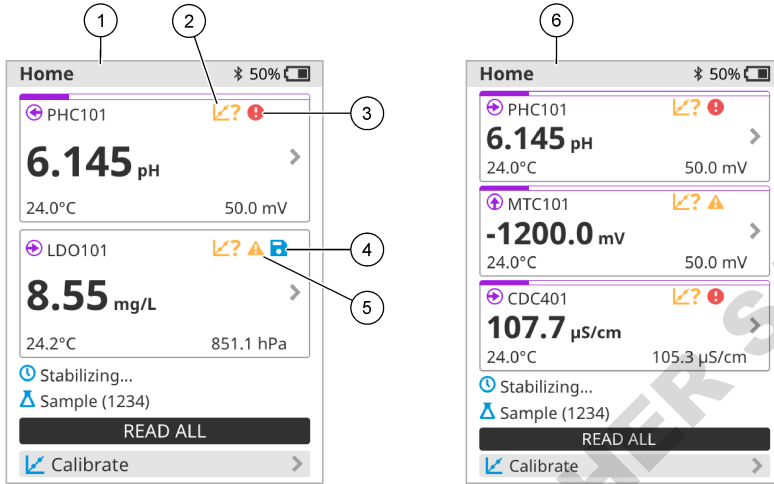
- Monsters meten
- Een sensor kalibreren
- Een kalibratie verifiëren
- Monster-ID's instellen (identificatie)
- Gegevens weergeven en beheren
- Lees de stapsgewijze instructies

Afbeelding 9 Voorbeeld startscherm—Een sensor



1 Opties: geeft toegang tot instructies en andere menu's	7 Meetwaardegedeelte: toont de gemeten waarde, temperatuur en eenheden
2 Data: geeft toegang tot het weergeven en beheren van gegevens	8 Statusindicator voor de meetstabiliteit: toont de status van de meting
3 Kalibreren: start een kalibratie	9 Intellical-sensortoort: toont de poortlocatie van de aangesloten sensor
4 Meten: leest de waarde van het monster of de standaardoplossing	10 Intellical-sensornaam: toont de modelnaam van de aangesloten sensor
5 Monster-ID: toont de naam van het monster dat wordt gemeten	11 Bluetooth®-pictogram (indien Hach-communicatiedongle is geïnstalleerd): geeft aan wanneer een Bluetooth-verbinding actief is
6 Berichtengebied: toont de meetstatus, monster-ID, fouten en waarschuwingen	12 Indicator voor batterijlading: geeft het percentage van de batterijlading aan

Afbeelding 10 Voorbeeld startscherm—Twee of drie sensoren

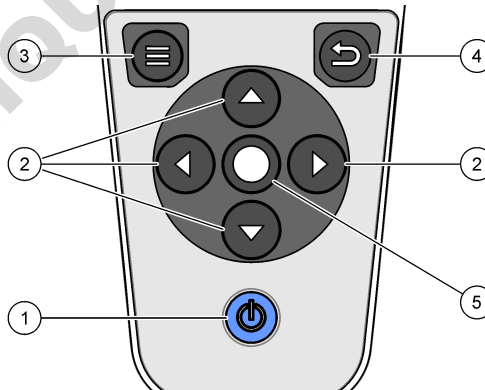


1 Startscherm met twee sensoren	4 Pictogram voor opslaan: de meetgegevens staan in het gegevenslogboek
2 Kalibratiepictogram: geeft aan dat de kalibratie niet is geaccepteerd of is verlopen	5 Waarschuwingspictogram (raadpleeg Problemen oplossen op pagina 173)
3 Foutpictogram (raadpleeg Problemen oplossen op pagina 173)	6 Startscherm met drie sensoren

7.2 Toetsenblok


Raadpleeg [Afbeelding 11](#) voor een beschrijving van het toetsenblok.

Afbeelding 11 Beschrijving toetsenblok

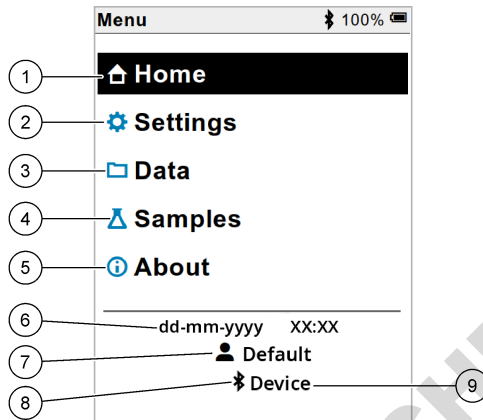


1 Aan/uit-toets	4 Terug-toets
2 Navigatiepijlen	5 Selectietoets
3 Menu-toets	

7.3 Hoofdmenu

Druk op  om terug te gaan naar het hoofdmenu. Raadpleeg [Afbeelding 12](#).

Afbeelding 12 Beschrijving hoofdmenu



1 Home	4 Menu monster-ID	7 Gebruikers-ID
2 Menu Instellingen	5 Scherm Meterinfo	8 Bluetooth®-pictogram (als HCD is geïnstalleerd)
3 Data	6 Datum en tijd	9 Bluetooth®-apparaat-id (als HCD is geïnstalleerd)

Hoofdstuk 8 Bediening

Dit hoofdstuk geeft algemene bedieningsinstructies voor de meter. Raadpleeg voor meer volledige instructies de instructies op het scherm van de meter of in de gebruikershandleiding van de sensor.

8.1 Monsters meten


De volgende stappen zijn algemene stappen voor het meten van monsters met de meter.

1. Selecteer de meetmodus. Raadpleeg [Meterinstellingen](#) op pagina 170.
2. Bereid het monster voor op de meting. Raadpleeg de instructies op het scherm van de meter of in de gebruikershandleiding van de sensor.
3. Meet het monster als volgt:
 - **Modus Druk om te lezen:** Selecteer Meten (of Alles lezen) om de monsterwaarde te meten. De meter slaat de waarde automatisch op.
 - **Intervalmodus:** Selecteer Start (of Alles starten) om de metingen te starten. De meter meet het monster automatisch met de gespecificeerde intervallen en slaat de monsterwaarde op. Selecteer Stop (of Alles stoppen) om de metingen te stoppen.
 - **Continue modus:** De meter meet continu de monsterwaarde. Selecteer Opslaan (of Alles opslaan) om de waarde op te slaan die op het display wordt weergegeven.

Na elke meting toont het display het resultaat. Het pictogram voor opslaan wordt op het display weergegeven als het resultaat wordt opgeslagen in het gegevenslogboek.

8.2 Een sensor kalibreren

De volgende stappen zijn algemene stappen voor sensorkalibratie met de meter. Raadpleeg [Sensor-instellingen](#) op pagina 171 voor het wijzigen van de kalibratie-instellingen.

1. Selecteer  Kalibreren in het startscherm. Selecteer de sensor die u wilt kalibreren als er meer dan één sensor is aangesloten. Het display toont de te gebruiken oplossing(en) voor de kalibratie.
2. Bereid de buffers of standaardoplossingen voor de kalibratie voor. Volg de instructies op het scherm van de meter of in de gebruikershandleiding van de sensor.
3. Selecteer Meten om de kalibratie te starten. De meter meet de waarde van de kalibratieoplossing. Na de meting wordt het resultaat weergegeven op het scherm.
4. Selecteer Meten om de waarde van de andere buffers of standaardoplossingen te meten, indien van toepassing. Selecteer Opslaan om de kalibratie op te slaan.

Opmerking: Raadpleeg de instructies voor probleemoplossing op het scherm van de meter of in de gebruikershandleiding van de sensor als de kalibratie niet wordt geaccepteerd.

8.3 De kalibratie verifiëren


De volgende stappen zijn algemene stappen voor verificatie van een sensorkalibratie met de meter. Raadpleeg [Sensor-instellingen](#) op pagina 171 voor het wijzigen van de verificatie-instellingen.

1. Selecteer in het startscherm Opties > Kalibratie verifiëren. Het display toont de buffer of standaardoplossing die voor de verificatie moet worden gebruikt.
2. Bereid de buffer of standaardoplossing voor de verificatie voor. Volg de instructies op het scherm van de meter of in de gebruikershandleiding van de sensor.
3. Selecteer Meten om de verificatie te starten. De meter meet de waarde van de verificatieoplossing. Na de meting wordt het resultaat weergegeven op het scherm.
4. Als de verificatie is geslaagd , selecteert u Opslaan om het resultaat op te slaan.

Opmerking: Raadpleeg de instructies voor probleemoplossing op het scherm van de meter of in de gebruikershandleiding van de sensor als de verificatie niet wordt geaccepteerd.

8.4 Monster-ID opnemen bij meetgegevens


Het instrument kan een monsternaam (ID) opslaan bij de opgeslagen meetgegevens. Voer meerdere monsternamen in het instrument in en selecteer vervolgens de gewenste monsternaam voordat de monsters worden gemeten. Het instrument voegt nummers toe aan monsters met dezelfde naam, bijvoorbeeld "Monsternaam (2)".

1. Druk op  en selecteer Monsters.
2. Selecteer een optie.

Optie	Beschrijving
Monster	Hiermee selecteert u de monsternaam die bij de monstermetingen moet worden opgeslagen.
Nieuw monster maken	Opent een scherm om nieuwe monsternamen toe te voegen. Monsternamen kunnen letters en cijfers bevatten.
Monsters verwijderen	Verwijdert monsternamen.

8.5 Gebruikers-ID opnemen bij opgeslagen gegevens

Het instrument kan een gebruikersnaam (ID) registreren bij de opgeslagen gegevens. Voer meerdere gebruikersnamen in het instrument in en selecteer vervolgens de gewenste gebruikersnaam voordat de kalibraties of metingen worden gestart.


1. Druk op  en selecteer Instellingen. De lijst met instellingen wordt weergegeven.
2. Selecteer Gebruikers.
3. Selecteer een optie.

Optie	Beschrijving
Gebruiker	Selecteert de gebruikersnaam. De geselecteerde gebruikersnaam wordt weergegeven in het hoofdmenu en wordt opgeslagen bij de opgeslagen gegevens.
Nieuwe gebruiker maken	Opent een scherm om nieuwe gebruikersnamen toe te voegen. Gebruikersnamen kunnen letters en cijfers bevatten.
Gebruikers verwijderen	Verwijdert gebruikersnamen.

Hoofdstuk 9 Meterinstellingen

Voltooi de volgende stappen om de algemene instellingen voor de meter te wijzigen.

Opmerking: *Wachtwoordbeveiliging kan toegang tot sommige menu's verhinderen. Raadpleeg de online gebruikershandleiding voor informatie over toegangscontrole.*

1. Druk op  en selecteer Instellingen. De lijst met instellingen wordt weergegeven.
2. Selecteer een optie.


Optie	Beschrijving
[Naam sensor]	Verandert de sensor-specifieke instellingen voor metingen, kalibratie en verificatie. Raadpleeg Sensor-instellingen op pagina 171 om de instellingen voor de aangesloten sensor te wijzigen.
Meetmodus	Stelt in wanneer metingen worden gestart. Opties: Druk om te lezen, Continu of Interval. Druk om te lezen: het monster wordt alleen gemeten wanneer op Meten wordt gedrukt. Gegevens worden automatisch in het gegevenslogboek opgeslagen wanneer aan de stabiliteitscriteria wordt voldaan. Interval: Het monster wordt regelmatig gemeten gedurende een gespecificeerde duur. Gegevens worden automatisch in het gegevenslogboek opgeslagen. Continu: De meter meet continu de monsterwaarde. Gegevens worden alleen opgeslagen in het gegevenslogboek wanneer de gebruiker Opslaan selecteert.
Temperatuur	Stelt de temperatureenheden in op ° C of ° F.
Display	Verandert de instellingen voor het scherm. Opties: Helderheid, Verlichting en Uitschakeling. Helderheid: Verandert de intensiteit van de achtergrondverlichting. Opties: 10 tot 100% (standaard: 50%). Verlichting: Zet de achtergrondverlichting uit als de meter een bepaalde tijd niet wordt gebruikt. Opties: 15 seconden, 30 seconden, 1 minuut, 5 minuten of Nooit. Uitschakeling: hiermee wordt de meter uitgeschakeld wanneer de meter een bepaalde tijd niet wordt gebruikt. Opties: 1 minuut, 2 minuten, 5 minuten, 10 minuten, 30 minuten, 1 uur, 2 uur of Nooit.
Geluid	Stelt de meter in om een geluid te maken tijdens toetsaanslagen of meldingen. Opties: Toetsdruk, Stabiliteitswaarschuwing, Herinnering, Foutmelding/waarschuwing of (batterij) Opladen voltooid .
Gebruikers	Selecteert een gebruiker, voegt een nieuwe gebruiker toe of verwijdert een gebruiker.
Datum-Tijd	Stelt de datum / tijd-indeling, datum en tijd in de meter in.
Taal	Stelt de taal in.

Optie	Beschrijving
Toegang	Stelt een wachtwoord in om toegang tot de sensor-instellingen, sommige meterinstellingen (meetmodus, temperatuur, taal) en software-updates te voorkomen. Een gebruiker zonder het wachtwoord kan geen instellingen of gegevens verwijderen wanneer de toegangscontrole is ingeschakeld.
Diagnose	Maakt een diagnosebestand voor technische ondersteuning of service als er een technisch probleem optreedt. De gebruiker moet de meter op een pc aansluiten om het bestand op te halen.

Hoofdstuk 10 Sensor-instellingen

Wanneer een sensor op de meter is aangesloten, kan de gebruiker de sensor-instellingen voor metingen, kalibraties en verificaties wijzigen. Raadpleeg de volgende stappen om toegang te krijgen tot de instellingen voor de aangesloten sensor. Raadpleeg de online gebruikershandleiding van de meter voor een volledige beschrijving van de instellingen.

Opmerking: Wachtwoordbeveiliging kan toegang tot sommige menu's verhinderen. Raadpleeg de online gebruikershandleiding voor informatie over beveiligingsinstellingen.


1. Druk op  en selecteer Instellingen. De lijst met instellingen wordt weergegeven.
2. Selecteer de naam van de sensor.
3. Selecteer de gewenste optie: Meting, Kalibratie of Controle.

Hoofdstuk 11 Gegevensbeheer

De meter slaat de gegevens van monstermetingen, kalibraties en verificaties als volgt op:

- **Monstermetingen**—De meter slaat de gemeten monstergegevens automatisch op wanneer de meetmodus staat ingesteld op Druk om te lezen of Interval. Wanneer de meetmodus Continu is, moet de gebruiker Opslaan selecteren om de gemeten monstergegevens op te slaan. Het pictogram voor opslaan wordt op het startscherm weergegeven wanneer de gemeten monstergegevens in het gegevenslogboek staan.
- **Kalibratiegegevens**—De gebruiker moet Opslaan selecteren om de kalibratiegegevens op te slaan. De kalibratiegegevens worden opgeslagen in de meter en in de Intellical-sensor.
- **Verificatiegegevens**—De gebruiker moet Opslaan selecteren om de verificatiegegevens op te slaan.

Voer de volgende stappen uit om gegevens weer te geven, te exporteren of te verwijderen.

1. Druk op  en selecteer Data, of selecteer Data vanuit het startscherm.
2. Selecteer een optie.

Optie	Beschrijving
Gegevens weergeven	<p>Toont de gegevens in het gegevenslogboek. De meest recente gegevens worden als eerste weergegeven. Druk op de pijl omlaag voor meer gegevens. Het kalibratiepictogram geeft aan wanneer het gegevenstype kalibratiegegevens is. Het verificatiepictogram geeft aan wanneer het gegevenstype verificatiegegevens is.</p> <p>Als u meer details voor een gegevenspunt wilt bekijken, selecteert u een gegevensrij en drukt u op de pijl naar rechts. Als u een filter wilt toepassen en alleen de gefilterde gegevens wilt weergeven, drukt u op de pijl naar links en selecteert u een parameter, gegevenstype of datumbereik.</p>

Optie	Beschrijving
Gegevens exporteren	<p>Hiermee verzendt u een kopie van alle gegevens in het gegevenslogboek naar een aangesloten PC of een USB-opslagapparaat. Raadpleeg Afbeelding 4 op pagina 162 om het instrument op een PC aan te sluiten. Gebruik een adapter van micro-USB naar USB Type A om het instrument aan te sluiten op een standaard USB-opslagapparaat. U kunt ook een USB-opslagapparaat met een micro-USB-aansluiting gebruiken.</p> <p>Wanneer het instrument is aangesloten op een PC, wordt een venster van de Verkenner geopend met een station met de naam "HQ-Series". Open de schijf en zoek naar een submap met de naam en het serienummer van de meter. Het gegevensbestand wordt weergegeven als een .csv-bestand met de datum en tijd als bestandsnaam. Sla het .csv-bestand op een locatie op de PC op.</p> <p>Opmerking: Als het Verkenner-venster niet automatisch wordt geopend, opent u handmatig een Verkenner-venster en zoekt u naar een station met de naam "HQ-Series".</p>
Kalibratiegeschiedenis	Toont de huidige en vorige kalibratiegegevens voor een aangesloten sensor.
Gegevens wissen	Wist alle gegevens in het gegevenslogboek. Wachtwoordbeveiliging kan toegang tot de optie om gegevens te verwijderen verhinderen.

Hoofdstuk 12 Onderhoud

⚠ VOORZICHTIG



Diverse gevaren. Alleen bevoegd personeel mag de in dit deel van het document beschreven taken uitvoeren.

12.1 Reiniging van het apparaat

Reinig de buitenzijde van het instrument met een vochtige doek en een milde zeepoplossing en veeg het instrument vervolgens, indien nodig, droog.

12.2 De batterijen vervangen

Vervang de batterij wanneer deze niet wordt opgeladen of geen lading vasthoudt. Gebruik alleen de batterij en de batterijlader die door de fabrikant zijn geleverd. Raadpleeg [De batterij plaatsen](#) op pagina 160.



12.3 Gereedmaken voor verzending

Het instrument bevat een lithium-ionbatterij, die volgens regelgeving onder gevaarlijke materialen valt en voor alle soorten transport moet voldoen aan de voorschriften voor gevaarlijke goederen. Gebruik de volgende procedures om het instrument voor reparatie of onderhoud te verzenden:

- Koppel de sensoren los voorafgaand aan verzending.
- Reinig en ontsmet het instrument vóór verzending.
- Voor de beste veiligheid verwijdert u de lithium-ionbatterij uit het apparaat en verzendt u de batterij niet. Als de batterij moet worden verzonden, dient u de batterij in de batterijbehuizing te bewaren, maar de batterijbehuizing niet aan het instrument te bevestigen. Plaats de batterijbehuizing met de geïnstalleerde batterij in een aparte verpakking om contact met elektrisch geleidend materiaal (bijv. metalen) te voorkomen.
- Verzend het instrument in de originele verpakking of verzend het instrument in een alternatieve beschermende verpakking.

Hoofdstuk 13 Problemen oplossen

13.1 De instructies voor probleemoplossing op het scherm gebruiken

De gebruikersinterface bevat instructies voor probleemoplossing om problemen te verhelpen die kunnen optreden tijdens metingen, kalibraties en verificaties. Als er een probleem optreedt, wordt op het display het foutpictogram  of waarschuwingspictogram  weergegeven met een korte beschrijving van het probleem. Druk op de pijl naar rechts om de aanbevolen procedures voor het oplossen van het probleem te bekijken.

Hoofdstuk 14 Reserveonderdelen

▲ WAARSCHUWING



Gevaar voor letsel. Het gebruik van niet-goedgekeurde onderdelen kan leiden tot letsel, beschadiging van het instrument of onjuiste werking van apparatuur. De reserveonderdelen in dit hoofdstuk zijn goedgekeurd door de fabrikant.

Opmerking: Product- en artikelnummers kunnen verschillen per regio. Neem contact op met de desbetreffende distributeur of bezoek de website voor contactgegevens.

Reservedelen

Beschrijving	Artikelnr.
Batterij, lithium-ion, 18650, 3200 mAh, Engelse taal	LEZ015.99.00001
Batterij, lithium-ion, 18650, 3100 mAh, Chinese taal	LEZ015.80.00001
Kabel, USB 2.0-stekker type A naar microstekker type B, 0,91 m (3 ft)	LEZ015.99.00002
Veldkoffer voor standaard sensoren	LEZ015.99.A001A
Veldkoffer voor robuuste sensoren	LEZ015.99.A002A
Handkoord en beschermdoppen	LEZ015.99.A005A
Standaard met polsriem	LEZ015.99.A003A
Beschermende handschoen	LEZ015.99.A004A
USB-voedingsadapter, 5 VDC, 2 A, 100–240 VAC, US	LEZ015.99.00006
USB-voedingsadapter, 5 VDC, 2 A, 100–240 VAC, EU + UK	LEZ015.99.00004
USB-voedingsadapter, 5 VDC, 2 A, 100–240 VAC, China	LEZ015.99.00005
USB-voedingsadapter, 5 VDC, 2 A, 100–240 VAC, ROW	LEZ015.99.00007

Spis treści

- | | |
|--|---|
| 1 Instrukcja obsługi online na stronie 174 | 8 Obsługa na stronie 187 |
| 2 Charakterystyka produktu na stronie 174 | 9 Ustawienia miernika na stronie 189 |
| 3 Dane techniczne na stronie 175 | 10 Ustawienia sondy na stronie 190 |
| 4 Ogólne informacje na stronie 176 | 11 Zarządzanie danymi na stronie 190 |
| 5 Instalacja na stronie 178 | 12 Konserwacja na stronie 191 |
| 6 Rozruch na stronie 183 | 13 Rozwiązywanie problemów na stronie 191 |
| 7 Interfejs użytkownika i nawigacja na stronie 184 | 14 Części zamienne na stronie 192 |

Rozdział 1 Instrukcja obsługi online

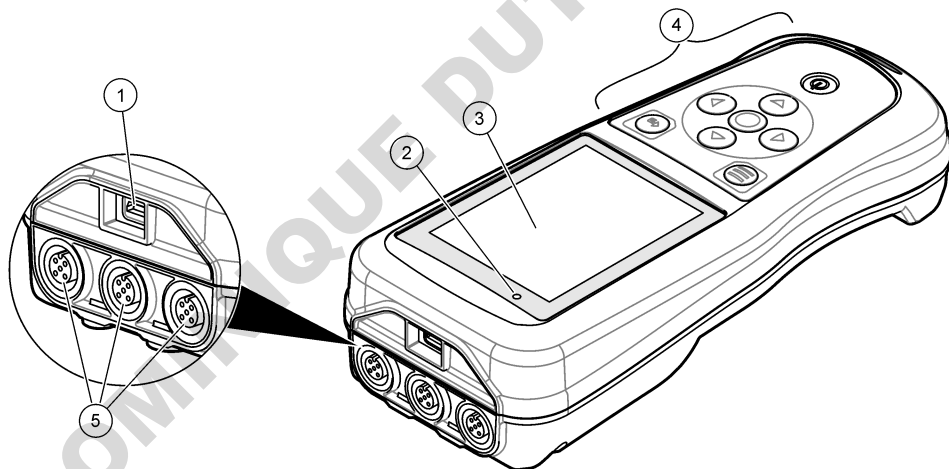
Ten podstawowy podręcznik użytkownika zawiera mniej informacji niż podręcznik użytkownika, który jest dostępny na stronie internetowej producenta.

Rozdział 2 Charakterystyka produktu

Przenośne mierniki z serii HQ są używane z cyfrowymi sondami Intellical do pomiaru jednego lub kilku parametrów jakości wody. Patrz [Rysunek 1](#). Typ podłączonej sondy jest wykrywany automatycznie. Miernik można podłączyć do komputera lub urządzenia pamięci masowej USB w celu przesłania danych zapisanych w mierniku. Opcjonalny klucz komunikacyjny Hach (HCD) łączy miernik z systemem Claros.

Przenośne mierniki z serii HQ są dostępne w ośmiu modelach. [Tabela 1](#) przedstawia typy sond, które można podłączyć do każdego modelu.

Rysunek 1 Charakterystyka produktu



1 Złącze micro-USB	4 Klawiatura
2 Wskaźnik LED	5 Porty sond Intellical (na ilustracji opcja z trzema portami sond)
3 Wyświetlacz	

Tabela 1 Modele mierników z serii HQ

Model miernika	Złącza dla sond	Sondy pH/mV/ORP ¹	Sondy LDO/LBOD ²	Sondy przewodności ³	Sondy ISE ⁴
HQ1110	1	✓			
HQ1130	1		✓		
HQ1140	1			✓	
HQ2100	1	✓	✓	✓	
HQ2200	2	✓	✓	✓	
HQ4100	1	✓	✓	✓	✓
HQ4200	2	✓	✓	✓	✓
HQ4300	3	✓	✓	✓	✓

Rozdział 3 Dane techniczne

Dane techniczne mogą ulec zmianie bez wcześniejszego powiadomienia.

Dane techniczne	Informacje szczegółowe
Wymiary (dł. x szer. x wys.)	22 x 9,7 x 6,3 cm (8,7 x 3,8 x 2,5 cala)
Masa	HQ1110, HQ1130, HQ1140 i HQ2100: 519 g (18,3 oz); HQ2200: 541 g (19,1 oz); HQ4100: 530 g (18,7 oz); HQ4200: 550 g (19,4 oz); HQ4300: 570 g (20,1 oz)
Stopień ochrony obudowy	IP67 z zainstalowaną komorą akumulatora
Wymagania z zakresu zasilania (wewnętrzne źródło zasilania)	Akumulator litowo-jonowy 18650 (średnica 18 mm x długość 65 mm, cylindryczny), 3,7 V DC, 3200 mAh; żywotność akumulatora: > 1 tydzień przy typowym użytkowaniu (10 odczytów dziennie, 5 dni w tygodniu w trybie ciągłym lub w trybie odczytu po naciśnięciu przycisku, albo > 24 godz. w trybie interwałowym z 5-minutowymi interwałami i czasem wyłączenia ≤ 15 min)
Wymagania z zakresu zasilania (zasilacz zewnętrzny)	Zasilacz USB klasy II: wejście 100–240 V AC, 50/60 Hz; wyjście 5 V DC, 2 A, USB
Klasa ochrony miernika	IEC klasa III (zasilanie napięciem SELV); zasilacz USB jest zgodny z klasą II według normy IEC (o podwójnej izolacji)
Temperatura podczas pracy	Od 0 do 60°C (od 32 do 140°F)
Temperatura ładowania	Od 10 do 40°C (od 50 do 104°F)
Wilgotność podczas pracy	90% (bez kondensacji)
Temperatura podczas przechowywania	Od -20 do 60°C (od -4 do 140°F), maksymalnie 90% wilgotności względnej (bez kondensacji)
Złącze dla sond	5-stykowe złącze M12 do podłączania sond Intellical
Złącze micro-USB	Złącze micro-USB umożliwia podłączenie kabla USB i zasilacza USB.
Rejestr danych (wewnętrzny)	Seria HQ1000: 5000 punktów danych; seria HQ2000: 10 000 punktów danych; seria HQ4000: 100 000 punktów danych

¹ Sondy pH/mV/ORP obejmują pomiar temperatury

² Sondy LDO/LBOD obejmują pomiar temperatury

³ Sondy do pomiaru przewodności obejmują pomiar zasolenia, TDS (całkowite rozpuszczone ciała stałe), rezystywności i temperatury

⁴ Sondy jonoselektywne, np. do pomiaru amoniaku, azotanów, chlorków, fluorków, sodu

Dane techniczne	Informacje szczegółowe
Pamięć danych	Automatyczna pamięć w trybie odczytu po naciśnięciu przycisku oraz w trybie interwałowym. Zapisywanie ręczne w trybie ciągłym.
Eksportowanie danych	Za pomocą złącza USB; do komputera PC lub nośnika danych USB (jedynym ograniczeniem jest pojemność nośnika danych)
Korekcja temperatury	Wyłączona, automatyczna i ręczna (w zależności od parametrów)
Certyfikaty	CE, UKCA, FCC, ISED, RCM, KC, ETL Verified: US DOE/ NRCan Energy Efficiency, RoHS
Gwarancja	Serie HQ1000 i HQ2000: 1 rok (USA), 2 lata (UE); seria HQ4000: 3 lata (USA), 3 lata (UE)

Rozdział 4 Ogólne informacje

W żadnej sytuacji producent nie ponosi odpowiedzialności za szkody wynikłe na skutek nieprawidłowego używania produktu lub nieprzestrzegania instrukcji podanych w podręczniku. Producent zastrzega sobie prawo do dokonania zmian w niniejszej instrukcji obsługi i w produkcie, której dotyczy w dowolnym momencie, bez powiadomienia lub zobowiązania. Na stronie internetowej producenta można znaleźć poprawione wydania.

4.1 Informacje dotyczące bezpieczeństwa

Producent nie ponosi odpowiedzialności za ewentualne szkody wynikłe z niewłaściwego stosowania albo użytkowania tego produktu, w tym, bez ograniczeń za szkody bezpośrednie, przypadkowe i wtórne, oraz wyklucza odpowiedzialność za takie szkody w pełnym zakresie dozwolonym przez obowiązujące prawo. Użytkownik jest wyłącznie odpowiedzialny za zidentyfikowanie krytycznych zagrożeń aplikacji i zainstalowanie odpowiednich mechanizmów ochronnych procesów podczas ewentualnej awarii sprzętu.

Prosimy przeczytać całą niniejszą instrukcję obsługi przed rozpakowaniem, włączeniem i rozpoczęciem użytkowania urządzenia. Należy zwrócić uwagę na wszystkie informacje dotyczące niebezpieczeństwa i kroków zapobiegawczych. Niezastosowanie się do tego może spowodować poważne obrażenia obsługującego lub uszkodzenia urządzenia.

Należy upewnić się, czy systemy zabezpieczające wbudowane w urządzenie pracują prawidłowo. Nie używać ani nie instalować tego urządzenia w inny sposób, aniżeli podany w niniejszej instrukcji.

4.2 Korzystanie z informacji o zagrożeniach

▲ NIEBEZPIECZEŃSTWO

Wskazuje potencjalnie lub bezpośrednio niebezpieczną sytuację, która — jeśli się jej nie zapobiegnie — doprowadzi do śmierci lub poważnych obrażeń.

▲ OSTRZEŻENIE

Wskazuje na potencjalną lub bezpośrednio niebezpieczną sytuację, która, jeżeli się jej nie uniknie, może doprowadzić do śmierci lub ciężkich obrażeń.

▲ UWAGA

Wskazuje na potencjalnie niebezpieczną sytuację, która może doprowadzić do mniejszych lub umiarkowanych obrażeń.

POWIADOMIENIE

Wskazuje sytuację, która — jeśli się jej nie zapobiegnie — może doprowadzić do uszkodzenia urządzenia. Informacja, która wymaga specjalnego podkreślenia.

4.3 Etykiety ostrzegawcze

Przeczytać wszystkie etykiety dołączone do urządzenia. Nieprzestrzeganie tych instrukcji może spowodować urazy ciała lub uszkodzenie urządzenia. Symbol umieszczony na urządzeniu jest zamieszczony w instrukcji i opatrzonej informacją o należytych środkach ostrożności.

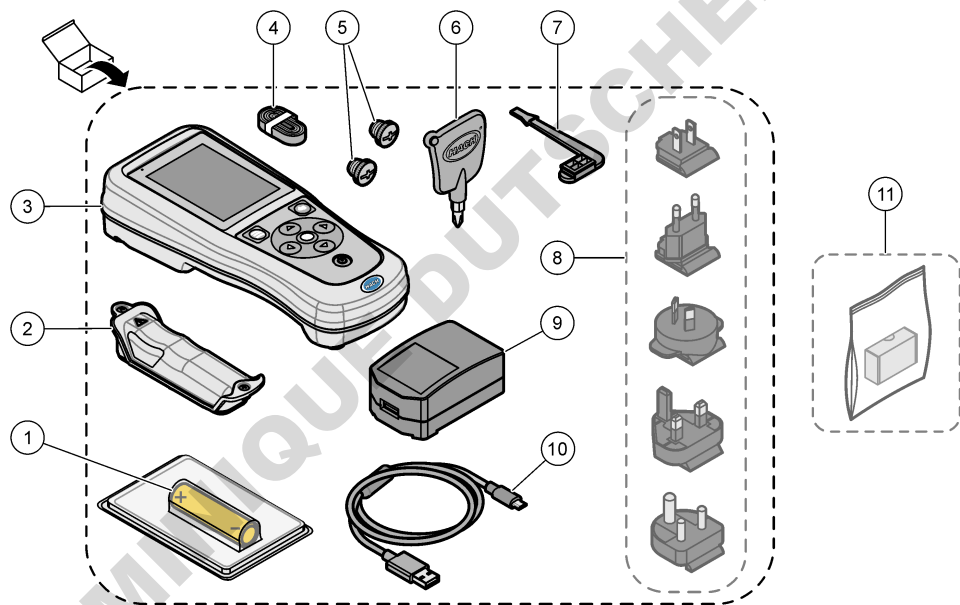


Urządzeń elektrycznych oznaczonych tym symbolem nie wolno wyrzucać do europejskich publicznych systemów utylizacji odpadów. Wyeksploatowane urządzenia należy zwrócić do producenta w celu ich utylizacji. Producent ma obowiązek przyjęcia je bez pobierania dodatkowych opłat.

4.4 Komponenty urządzenia

Upewnić się, że zostały dostarczone wszystkie komponenty. Patrz [Rysunek 2](#). W przypadku braku lub uszkodzenia jakiegokolwiek elementu należy niezwłocznie skontaktować się z producentem lub z jego przedstawicielem handlowym.

Rysunek 2 Komponenty urządzenia



1 Akumulator litowo-jonowy	7 Zatyczka portu USB
2 Komora akumulatora	8 Opcjonalne wtyki zasilania
3 Miernik	9 Zasilacz USB
4 Pasek na rękę	10 Kabel USB, typ A – micro, 1 m (3,3 ft)
5 Zatyczki do złączy sond	11 Opcjonalny komunikacyjny klucz sprzętowy Hach (HCD)
6 Wkrętak krzyżakowy (nr 1, Philips)	

4.5 Certyfikaty

Kanadyjska regulacja prawna dotycząca sprzętu powodującego zakłócenia odbioru radiowego, IECS-003, klasa B:

Stosowne wyniki testów dostępne są u producenta.

Ten cyfrowy aparat klasy B spełnia wszystkie wymogi kanadyjskich regulacji prawnych dotyczących sprzętu powodującego zakłócenia.

Cet appareil numérique de classe B répond à toutes les exigences de la réglementation canadienne sur les équipements provoquant des interférences.

FCC Część 15, Ograniczenia Klasy "B"

Stosowne wyniki testów dostępne są u producenta. Niniejsze urządzenie spełnia warunki Części 15 Zasad FCC. Przy pracy obowiązują poniższe warunki:

1. Sprzęt nie może powodować szkodliwego zakłócenia.
2. Sprzęt musi akceptować wszelkie odbierane zakłócenia, w tym zakłócenia, które mogą powodować niepożądane działanie.

Zmiany oraz modyfikacje tego urządzenia, które nie zostały wyraźnie zaakceptowane przez stronę odpowiedzialną za zgodność, mogą spowodować pozbawienie użytkownika upoważnienia do korzystania z niniejszego urządzenia. To urządzenie zostało przetestowane i odpowiada granicom dla klasy B urządzenia cyfrowego, stosownie do części 15 przepisów FCC. Ograniczenia te zostały wprowadzone w celu zapewnienia należytej ochrony przed szkodliwymi zakłóceniami, gdy urządzenie jest użytkowane w środowisku komercyjnym. Niniejsze urządzenie wytwarza, używa i może wydzielać energię o częstotliwości radiowej oraz, jeśli nie jest zainstalowane i używane zgodnie z instrukcją obsługi, może powodować szkodliwe zakłócenia w łączności radiowej. Istnieje prawdopodobieństwo, że wykorzystywanie tego urządzenia w terenie mieszkalnym może spowodować szkodliwe zakłócenia. W takim przypadku użytkownik jest zobowiązany do usunięcia zakłóceń na własny koszt. W celu zmniejszenia problemów z zakłóceniami można wykorzystać poniższe metody:

1. Odsunąć sprzęt od zakłócanego urządzenia.
2. Zmienić pozycję anteny odbiorczej urządzenia zakłócanego.
3. Spróbować kombinacji powyższych metod.

4.6 Komunikacyjny klucz sprzętowy Hach (opcja)

Opcjonalny komunikacyjny klucz sprzętowy Hach (HCD) wykorzystuje technologię Bluetooth^{®5} Low Energy do komunikacji z systemem Claros. Aby zainstalować i obsługiwać urządzenie, należy postępować zgodnie ze wszystkimi wskazówkami i ostrzeżeniami producenta. Informacje na ten temat można znaleźć w dokumentacji dołączonej do klucza HCD.

4.7 Przeznaczenie

▲ UWAGA



Narażenie na działanie substancji chemicznych. Stosować się do procedur bezpieczeństwa w laboratoriach i zakładać sprzęt ochrony osobistej, odpowiedni do używanych substancji chemicznych. Protokoły warunków bezpieczeństwa można znaleźć w aktualnych kartach charakterystyki (MSDS/SDS) materiałów.

Przenośne mierniki z serii HQ są przeznaczone do pomiaru parametrów jakości wody w laboratorium lub w terenie. Mierniki z serii HQ nie służą do uzdatniania lub zmiany parametrów wody.

Rozdział 5 Instalacja

▲ NIEBEZPIECZEŃSTWO



Wiele zagrożeń. Tylko wykwalifikowany personel powinien przeprowadzać prace opisane w tym rozdziale niniejszego dokumentu.

⁵ Znak słowny i logo Bluetooth[®] są zastrzeżonymi znakami towarowymi należącymi do Bluetooth SIG, Inc. i każde użycie takich znaków przez firmę HACH jest objęte licencją.

5.1 Zasady zachowania bezpieczeństwa dotyczące baterii litowej

▲ OSTRZEŻENIE



Niebezpieczeństwo pożaru i wybuchu. Materie litowe mogą się rozgrzewać, wybuchać lub zapalać się po narażeniu na nieodpowiednie warunki. Może to powodować poważne obrażenia.

- Nie należy używać wyraźnie uszkodzonej baterii.
- Nie używać baterii po narażeniu jej na silne wstrząsy lub wibracje.
- Nie narażać akumulatora na działanie ognia.
- Przechowywać akumulator w temperaturze poniżej 70°C (158°F).
- Przechowywać baterię w suchym miejscu i trzymać z dala od wody.
- Nie należy dopuszczać do stykania się dodatnich i ujemnych biegunów baterii.
- Nieuprawnione osoby nie powinny dotykać baterii.
- Baterię należy zutylizować zgodnie z lokalnymi, regionalnymi i krajowymi przepisami.
- Urządzenia nie należy stosować ani przechowywać w miejscu narażonym na bezpośrednie działanie promieni słonecznych, w pobliżu źródła ciepła oraz w miejscach o wysokiej temperaturze, takich jak zamknięty pojazd w bezpośrednim świetle słonecznym.

5.2 Wkładanie akumulatora

▲ OSTRZEŻENIE



Niebezpieczeństwo pożaru i wybuchu. W tym urządzeniu może dojść do zapalenia się baterii litowej o dużej pojemności i spowodowania pożaru lub wybuchu, nawet bez zasilania. W celu zapewnienia bezpieczeństwa gwarantowanego przez obudowę urządzenia, pokrywy obudowy urządzenia muszą zostać zainstalowane i zabezpieczone za pomocą dołączonego wyposażenia.

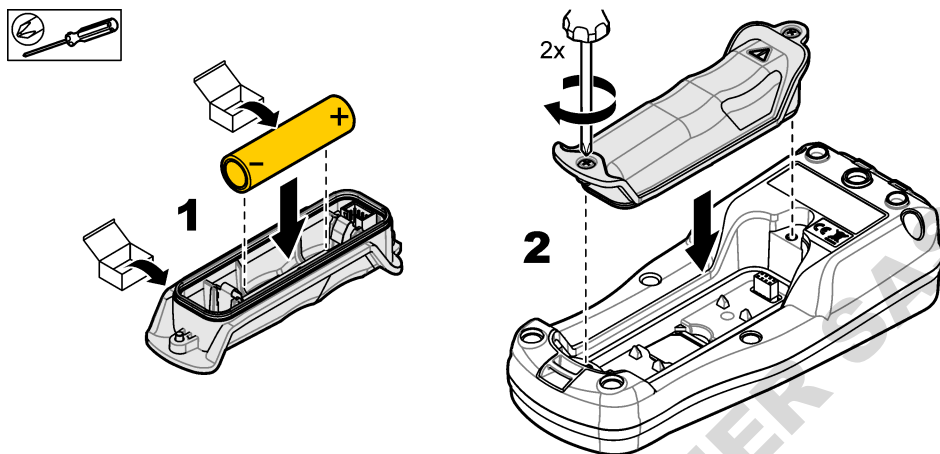
▲ OSTRZEŻENIE



Zagrożenie wybuchowe i pożarowe. Niedozwolone jest stosowanie zastępczych baterii. Należy korzystać wyłącznie z baterii dostarczonych przed producenta.

Należy używać wyłącznie akumulatorów litowo-jonowych dostarczonych przez producenta. Aby uzyskać więcej informacji na temat wkładania i wyjmowania akumulatora, patrz [Rysunek 3](#).

Rysunek 3 Wkładanie i wyjmowanie akumulatora



5.3 Ładowanie akumulatora

⚠ NIEBEZPIECZEŃSTWO



Niebezpieczeństwo śmiertelnego porażenia prądem elektrycznym. Jeśli urządzenie jest stosowane na zewnątrz lub w potencjalnie wilgotnych lokalizacjach, w połączeniu urządzenia do głównego źródła zasilania należy zastosować zabezpieczenie ziemnozwarciowe (GFCI/GFI).

⚠ OSTRZEŻENIE



Niebezpieczeństwo pożaru. Używać tylko zewnętrznych zasilaczy przeznaczonych do współpracy z tym urządzeniem.

⚠ OSTRZEŻENIE



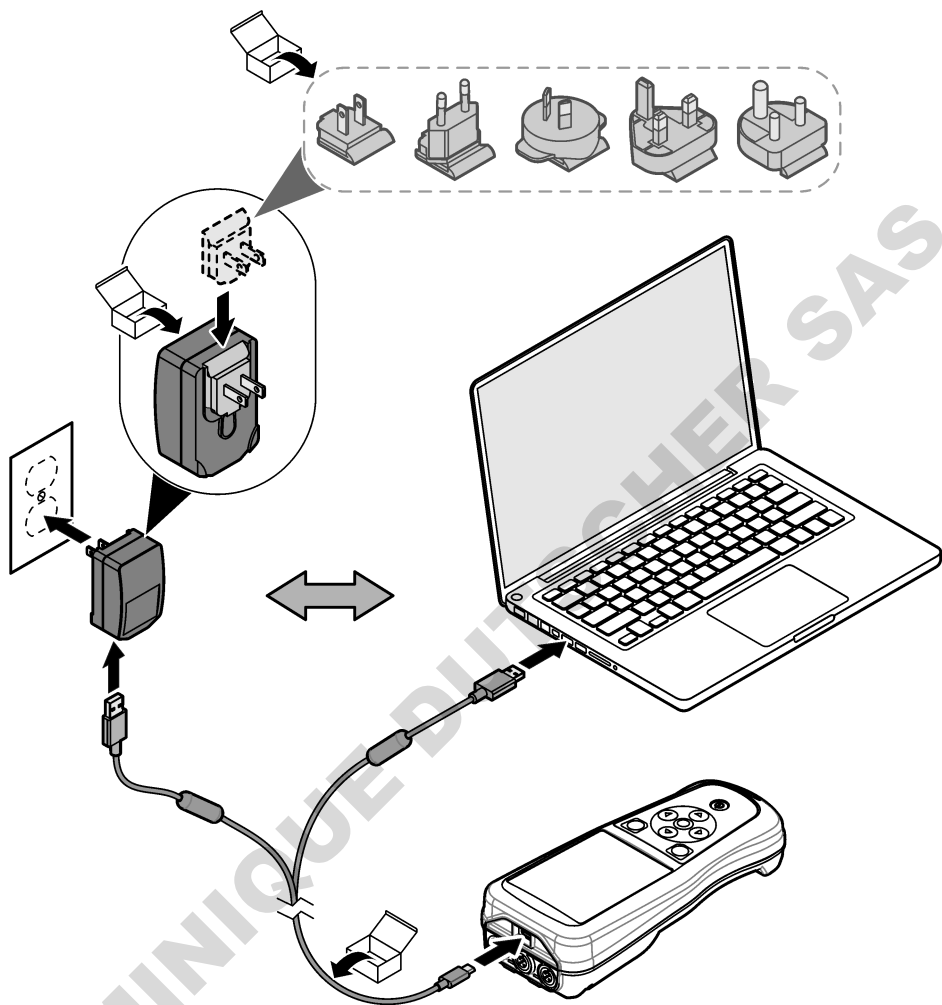
Niebezpieczeństwo porażenia prądem. Podłączone urządzenia zewnętrzne muszą spełniać normy bezpieczeństwa danego kraju.

POWIADOMIENIE

Zawsze zakładaj zatyczkę portu USB, gdy port nie jest używany, aby utrzymać port w czystości i zapobiec korozji. Nie ładuj akumulatora, jeśli port USB jest mokry, brudny lub skorodowany. Patrz [Zakładanie zatyczek portów USB i sond](#) na stronie 182.

Aby naładować akumulator, należy użyć dołączonego przewodu USB i zasilacza USB lub komputera. Patrz [Rysunek 4](#). Po podłączeniu urządzenia do zasilania i naciśnięciu przycisku wł./wyt. włącza się zielony wskaźnik LED. Użytkownik może obsługiwać urządzenie podczas ładowania akumulatora. Rozładowany akumulator zostaje w pełni naładowany po około 5 godz. przy użyciu zasilacza USB, gdy przyrząd jest wyłączony. Pamiętaj o zakładaniu zatyczek portu USB, gdy port USB nie jest używany. Patrz [Zakładanie zatyczek portów USB i sond](#) na stronie 182.

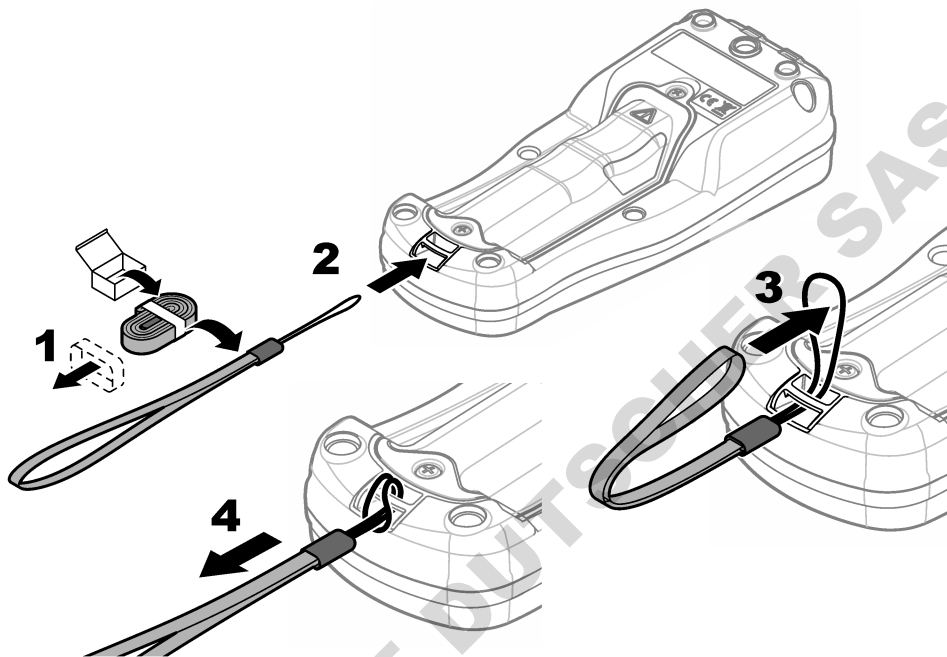
Rysunek 4 Podłączenie zasilacza USB lub komputera



5.4 Mocowanie paska

Aby zwiększyć bezpieczeństwo podczas trzymania miernika, można założyć pasek. Patrz [Rysunek 5](#).

Rysunek 5 Mocowanie paska

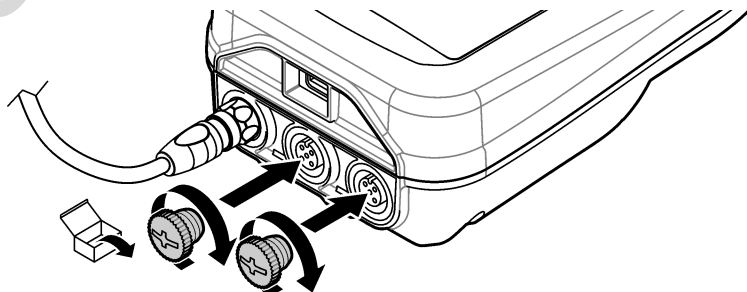


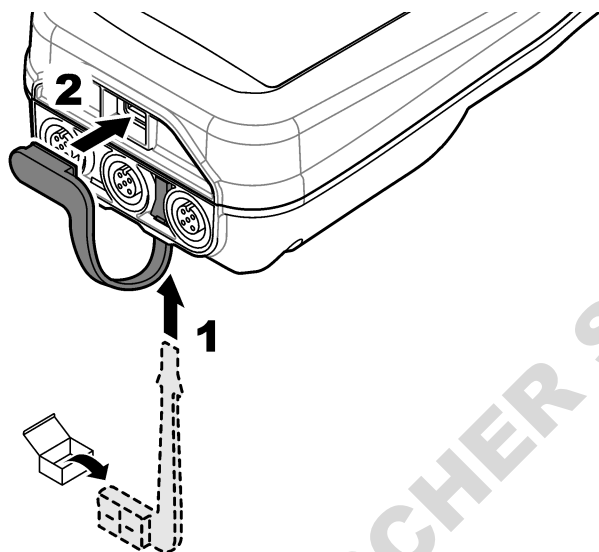
5.5 Zakładanie zatyczek portów USB i sond

Pamiętaj o zakładaniu zatyczek portów USB i sond, gdy porty nie są używane, aby utrzymać je w czystości i zapobiec korozji. Zatyczki portów muszą być zakładane na niepodłączone porty, aby zachować stopień ochrony obudowy urządzenia. Patrz [Rysunek 6](#) oraz [Rysunek 7](#).

Uwaga: [Rysunek 6](#) przedstawia miernik z trzema portami sond. Niektóre modele mierników mają tylko jeden lub dwa porty sond.


Rysunek 6 Zakładanie zatyczki portu





Rozdział 6 Rozruch

6.1 Uruchamianie miernika

Naciśnij przycisk , aby uruchomić miernik. Jeśli miernik nie uruchamia się, upewnij się, że akumulator jest prawidłowo zainstalowany, lub że miernik jest podłączony do źródła zasilania. Patrz [Ładowanie akumulatora](#) na stronie 180.

6.2 Wybór języka

Po włączeniu miernika po raz pierwszy lub zainstalowaniu nowego akumulatora na wyświetlaczu pojawi się ekran wyboru języka. Wybierz odpowiednią wersję językową. Język można również zmienić w menu Settings (Ustawienia).

6.3 Ustawianie daty i godziny

Po włączeniu miernika po raz pierwszy lub zainstalowaniu nowego akumulatora na wyświetlaczu pojawi się ekran Date-Time (Data-godzina). Wykonaj poniższe czynności, aby ustawić datę i godzinę.

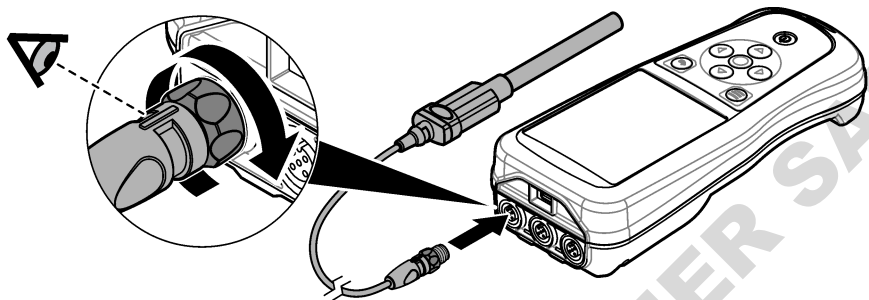
Uwaga: Datę i godzinę można również zmienić w menu Settings (Ustawienia).

1. Naciśnij przycisk strzałki w górę lub w dół, aby wybrać format daty.
2. Naciśnij przycisk strzałki w prawo, aby przejść do daty i godziny.
3. Naciskaj przyciski strzałek w górę i w dół, aby zmienić datę i godzinę.
4. Naciśnij przycisk strzałki w prawo, aby podświetlić opcję Zapisz.
5. Wybierz opcję Zapisz, aby zachować ustawienia.

6.4 Podłączenie sondy

Przed podłączeniem sondy należy ustawić godzinę i datę w mierniku. Sygnatura czasu dla sondy jest tworzona przy pierwszym jej podłączeniu do miernika. Sygnatura czasu automatycznie rejestruje dane historyczne sondy i czas podczas wykonywania pomiarów. Aby podłączyć sondę do miernika, patrz [Rysunek 8](#).

Rysunek 8 Podłączenie sondy do miernika



Rozdział 7 Interfejs użytkownika i nawigacja

Po uruchomieniu na wyświetlaczu pojawi się ekran główny. Patrz [Ekran główny](#) na stronie 184. Za pomocą klawiatury wybierz dostępne opcje lub zmień wartości. Patrz [Klawiatura](#) na stronie 186. Za pomocą menu głównego przejdź do ustawień i innych menu. Patrz [Menu główne](#) na stronie 187.

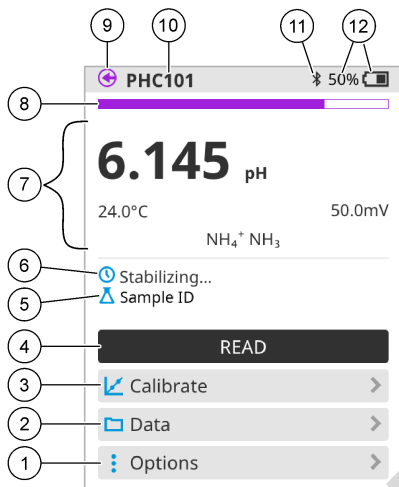
7.1 Ekran główny

Gdy miernik jest włączony, a sonda jest podłączona do miernika, na wyświetlaczu pojawia się ekran główny. Patrz [Rysunek 9](#). Modele HQ4100, HQ4200, HQ4300 są wyposażone w kolorowy wyświetlacz. W przypadku modeli z dwoma lub trzema portami sond na ekranie zostaną wyświetlone wszystkie podłączone sondy. Patrz [Rysunek 10](#).

Poniższe zadania są dostępne na ekranie głównym:

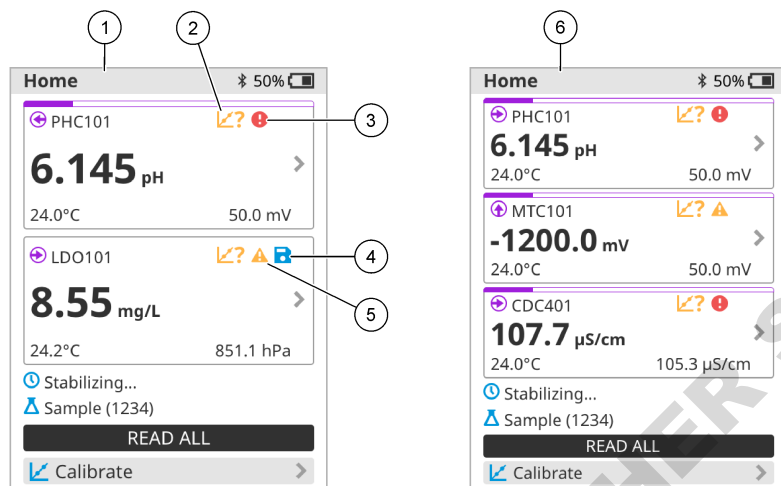
- Pomiar próbek
- Kalibracja sondy
- Weryfikacja kalibracji
- Ustawianie identyfikatorów próbek (identyfikacja)
- Wyświetlanie danych i zarządzanie nimi
- Wyświetlanie instrukcji krok po kroku

Rysunek 9 Przykład ekranu głównego — jedna sonda



<p>1 Menu Opcje: umożliwia dostęp do instrukcji i innych menu.</p>	<p>7 Sekcja wartości pomiarowych: przedstawia zmierzoną wartość, temperaturę i jednostki.</p>
<p>2 Menu Dane: umożliwia wyświetlanie i zarządzanie danymi.</p>	<p>8 Wskaźnik stanu stabilności pomiaru: pokazuje stan pomiaru.</p>
<p>3 Przycisk Kalibracja: rozpoczyna kalibrację.</p>	<p>9 Port sondy Intellical: przedstawia lokalizację portu podłączonej sondy.</p>
<p>4 Przycisk Odczytaj: odczytuje wartość próbki lub roztworu wzorcowego.</p>	<p>10 Nazwa sondy Intellical: wyświetla nazwę modelu podłączonej sondy.</p>
<p>5 Sample ID (Identyfikator próbki): wyświetla nazwę mierzonej próbki.</p>	<p>11 Ikona Bluetooth® (jeśli zainstalowany jest komunikacyjny klucz sprzętowy Hach): wskazuje, czy połączenie Bluetooth jest aktywne.</p>
<p>6 Obszar komunikatów: przedstawia stan pomiaru, identyfikator próbki, błędy i ostrzeżenia.</p>	<p>12 Wskaźnik naładowania akumulatora: wskazuje procent naładowania akumulatora.</p>

Rysunek 10 Przykład ekranu głównego — dwie lub trzy sondy

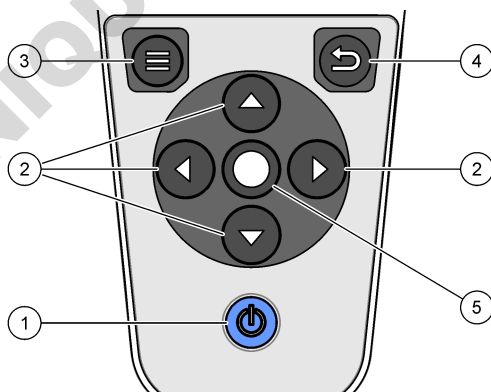


1 Ekran główny z dwiema sondami	4 Ikona zapisu: dane pomiarowe znajdują się w rejestrze danych.
2 Ikona kalibracji: wskazuje, że kalibracja nie została zaakceptowana lub wygasła.	5 Ikona ostrzegawcza (patrz Rozwiązywanie problemów na stronie 191).
3 Ikona błędu (patrz Rozwiązywanie problemów na stronie 191).	6 Ekran główny z trzema sondami

7.2 Klawiatura


Opis klawiatury, patrz [Rysunek 11](#).

Rysunek 11 Opis klawiatury

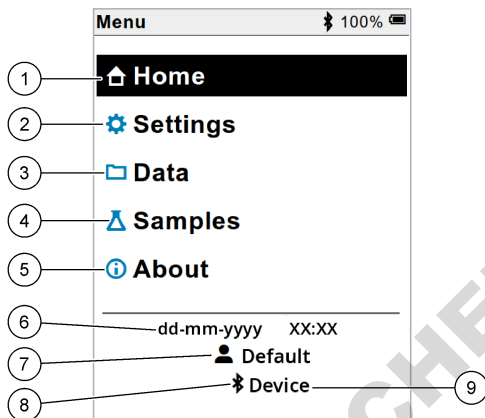


1 Przycisk włączania/wyłączania	4 Przycisk wstecz
2 Strzałki nawigacyjne	5 Przycisk wyboru
3 Przycisk menu	

7.3 Menu główne

Naciśnij przycisk , aby przejść do menu głównego. Patrz [Rysunek 12](#).

Rysunek 12 Opis menu głównego



1 Ekran Strona główna	4 Menu Sample ID (Identyfikator próbki)	7 Identyfikator użytkownika
2 Menu Ustawienia	5 Ekran About meter (Informacje o mierniku)	8 Ikona Bluetooth® (jeśli zainstalowano HCD)
3 Menu Dane	6 Data i godzina	9 Identyfikator urządzenia Bluetooth® (jeśli zainstalowano HCD)

Rozdział 8 Obsługa

W tej części podano ogólne instrukcje obsługi miernika. Szczegółowe instrukcje można znaleźć w instrukcjach wyświetlanych na ekranie miernika lub w instrukcji obsługi sondy.

8.1 Pomiar próbek


Poniższe kroki stanowią ogólne etapy pomiaru próbek za pomocą miernika.

1. Wybierz tryb pomiaru. Patrz [Ustawienia miernika](#) na stronie 189.
2. Przygotuj próbkę do pomiaru. Zapoznaj się z instrukcjami wyświetlanymi na ekranie miernika lub zawartymi w instrukcji obsługi sondy.
3. Zmierz próbkę w następujący sposób:
 - **Tryb odczytu po naciśnięciu przycisku:** wybierz opcję Odczytaj (lub Przeczytaj wszystko), aby zmierzyć wartość próbki. Miernik automatycznie zapisuje wartość.
 - **Tryb interwałowy:** wybierz opcję Start (Uruchom) (lub Start All (Uruchom wszystkie)), aby rozpocząć pomiary. Miernik automatycznie mierzy i zapisuje wartość próbki w określonych odstępach czasu. Wybierz opcję Stop (Zatrzymaj) (lub Stop all (Zatrzymaj wszystkie)), aby zatrzymać pomiary.
 - **Tryb ciągły:** miernik mierzy wartość próbki w sposób ciągły. Wybierz opcję Zapisz lub Save All (Zapisz wszystkie), aby zapisać wartość wyświetlaną na ekranie.

Po każdym pomiarze na wyświetlaczu pojawi się wynik. Po zapisaniu wyniku w rejestrze danych na wyświetlaczu pojawia się ikona zapisu.

8.2 Kalibracja sondy

Poniższe kroki są ogólnymi krokami, które należy wykonać, aby skalibrować sondę za pomocą miernika. Aby zmienić ustawienia kalibracji, patrz [Ustawienia sondy](#) na stronie 190.

1. Na ekranie głównym wybierz opcję  Kalibracja. Jeśli podłączono więcej niż jedną sondę, wybierz sondę do kalibracji. Na wyświetlaczu pojawi się roztwór lub roztwory, które mają zostać użyte do kalibracji.
2. Przygotuj roztwory buforowe lub wzorcowe do kalibracji. Postępuj zgodnie z instrukcjami wyświetlanymi na ekranie miernika lub podanymi w instrukcji obsługi sondy.
3. Wybierz opcję Odczytaj, aby rozpocząć kalibrację. Miernik mierzy wartość roztworu kalibracyjnego. Po zakończeniu pomiaru na wyświetlaczu pojawi się wynik.
4. Wybierz opcję Odczytaj, aby zmierzyć wartość innych roztworów buforowych lub wzorcowych, jeśli ma to zastosowanie. Wybierz opcję Zapisz, aby zapisać kalibrację.


Uwaga: Jeśli kalibracja nie zostanie zaakceptowana, zapoznaj się z instrukcjami rozwiązywania problemów na ekranie miernika lub z instrukcją obsługi sondy.

8.3 Weryfikacja kalibracji

Poniższe kroki są ogólnymi krokami, które należy wykonać, aby zweryfikować kalibrację sondy za pomocą miernika. Aby zmienić ustawienia weryfikacji — patrz [Ustawienia sondy](#) na stronie 190.

1. Na ekranie głównym wybierz kolejno Opcje > Weryfikuj kalibrację. Na wyświetlaczu pojawi się roztwór buforowy lub wzorcowy, który zostanie użyty do weryfikacji.

Uwaga: Jeśli podłączono więcej niż jedną sondę, wybierz sondę do weryfikacji.

2. Przygotuj roztwór buforowy lub wzorcowy do weryfikacji. Postępuj zgodnie z instrukcjami wyświetlanymi na ekranie miernika lub podanymi w instrukcji obsługi sondy.
3. Wybierz opcję Odczytaj, aby rozpocząć weryfikację. Miernik mierzy wartość roztworu do weryfikacji. Po zakończeniu pomiaru na wyświetlaczu pojawi się wynik.
4. Jeśli weryfikacja zakończy się powodzeniem , wybierz opcję Zapisz, aby zapisać wynik.

Uwaga: Jeśli weryfikacja nie zostanie zaakceptowana, zapoznaj się z instrukcjami rozwiązywania problemów na ekranie miernika lub z instrukcją obsługi sondy.

8.4 Dołączanie identyfikatora próbki do danych pomiarowych


Urządzenie może zapisać nazwę próbki (identyfikator) wraz z danymi pomiarowymi. Do urządzenia można wprowadzić wiele nazw próbek, a następnie wybrać odpowiednią nazwę próbki przed rozpoczęciem pomiarów próbek. Urządzenie dodaje numery do próbek o tej samej nazwie, np. „Nazwa próbki (2)”.

1. Naciśnij przycisk  i wybierz opcję Próbki.
2. Wybierz opcję.

Opcja	Opis
Próbka	Umożliwia wybranie nazwy próbki, która ma zostać zapisana wraz z pomiarami próbek.
Utwórz nową próbkę	Otwiera ekran dodawania nowych nazw próbek. Nazwy próbek mogą zawierać litery i cyfry.
Usuń próbki	Usuwa nazwy próbek.

8.5 Dołączanie identyfikatora użytkownika do zapisanych danych

Przyrząd może zapisywać nazwę użytkownika (identyfikator) wraz z danymi. Do urządzenia można wprowadzić wiele nazw użytkowników, a następnie wybrać odpowiednią nazwę użytkownika przed rozpoczęciem kalibracji lub pomiarów.


1. Naciśnij przycisk  i wybierz opcję Ustawienia. Pojawi się lista ustawień.
2. Wybierz opcję Użytkownicy.
3. Wybierz opcję.

Opcja	Opis
Użytkownik	Wybiera nazwę użytkownika. Wybrana nazwa użytkownika pojawi się na ekranie menu głównego i zostanie zapisana wraz z zapisanymi danymi.
Utwórz nowego użytkownika	Otwiera ekran dodawania nowych nazw użytkowników. Nazwy użytkowników mogą zawierać litery i cyfry.
Usuń użytkowników	Usuwa nazwy użytkowników.

Rozdział 9 Ustawienia miernika

Wykonaj następujące kroki, aby zmienić ustawienia ogólne licznika.

Uwaga: Ochrona hasłem może uniemożliwić dostęp do niektórych menu. Informacje na temat kontroli dostępu znajdują się w podręczniku użytkownika online.

1. Naciśnij przycisk  i wybierz opcję Ustawienia. Pojawi się lista ustawień.
2. Wybrać opcję.


Opcja	Opis
[Nazwa sondy]	Zmienia ustawienia specyficzne dla sondy dla pomiarów, kalibracji i weryfikacji. Patrz Ustawienia sondy na stronie 190, aby zmienić ustawienia podłączonej sondy.
Tryb pomiaru	Ustawia po rozpoczęciu pomiarów. Opcje: Naciśnij, aby odczytać, Ciągły lub Interwał. Naciśnij, aby odczytać: Próbką jest mierzona tylko wtedy, gdy Odczytaj jest wciśnięty. Dane są automatycznie zapisywane w dzienniku danych, gdy spełnione są kryteria stabilności. Interwał: Próbką jest mierzona w regularnych odstępach czasu przez określony czas. Dane są automatycznie zapisywane w dzienniku danych. Ciągły: Miernik stale mierzy wartość próbki. Dane są zapisywane w dzienniku danych tylko wtedy, gdy użytkownik wybierze Zapisz.
Temperatura	Ustawia jednostki temperatury na ° C lub ° F.
Wyświetlacz	Zmienia ustawienia wyświetlacza. Opcje: Jasność, Podświetlenie i Wylączenie. Jasność: Zmienia intensywność podświetlenia. Opcje: 10 do 100% (domyślnie: 50%). Podświetlenie: Wylącza podświetlenie, gdy miernik nie jest używany przez określony czas. Opcje: 15 sekund, 30 sekund, 1 minuta, 5 minut lub Nigdy. Wylączenie: Wylącza miernik, gdy miernik nie jest używany przez określony czas. Opcje: 1 minuta, 2 minuty, 5 minut, 10 minut, 30 minut, 1 godzina, 2 godziny lub Nigdy.
Dźwięk	Ustawia miernik, aby wydawał dźwięk podczas naciskania klawiszy lub powiadomień. Opcje: Naciśnięcie przycisku, Alert stabilności, Przypomnienie, Alert błędu/ostrzeżenia lub (bateria) Ładowanie zakończone .
Użytkownicy	Wybiera użytkownika, dodaje nowego użytkownika lub usuwa użytkownika.
Data-godzina	Ustawia format daty / godziny, datę i godzinę w mierniku.
Język	Ustawia język licznika.

Opcja	Opis
Dostęp	Ustawia hasło, aby uniemożliwić dostęp do ustawień sondy, niektórych ustawień miernika (tryb pomiaru, temperatura, język) i aktualizacji oprogramowania. Użytkownik bez hasła nie może usunąć ustawień ani danych, gdy włączona jest kontrola dostępu.
Diagnostyka	Tworzy plik diagnostyczny do pomocy technicznej lub serwisu, jeśli wystąpi problem techniczny. Użytkownik musi podłączyć miernik do komputera, aby uzyskać plik.

Rozdział 10 Ustawienia sondy

Po podłączeniu sondy do miernika użytkownik może zmienić ustawienia sondy dla pomiarów, kalibracji i weryfikacji. Aby uzyskać dostęp do ustawień podłączonej sondy, należy postępować zgodnie z poniższymi instrukcjami. Pełny opis ustawień znajduje się w instrukcji obsługi miernika dostępnej online.

Uwaga: Ochrona hasłem może uniemożliwić dostęp do niektórych menu. Informacje na temat ustawień zabezpieczeń można znaleźć w instrukcji obsługi dostępnej online.


- Naciśnij przycisk  i wybierz opcję Ustawienia. Pojawi się lista ustawień.
- Wybierz nazwę sondy.
- Wybierz odpowiednią opcję: Pomiar, Kalibracja lub Weryfikacja.

Rozdział 11 Zarządzanie danymi

Miernik zapisuje dane z pomiarów próbek, kalibracji i weryfikacji w następujący sposób:

- Pomiary próbek — miernik automatycznie zapisuje dane zmierzonych próbek, gdy wybrany jest tryb odczytu po naciśnięciu przycisku lub tryb interwałowy. Gdy wybrany jest ciągły tryb pomiaru, użytkownik musi wybrać opcję Save (Zapisz), aby zapisać zmierzone dane próbki. Po zapisaniu zmierzonych danych próbki w rejestrze danych na ekranie głównym pojawia się ikona zapisu.
- Dane kalibracji — użytkownik musi wybrać opcję Save (Zapisz), aby zapisać dane kalibracji. Dane kalibracji są zapisywane w mierniku i w sondzie Intellical.
- Dane weryfikacji — użytkownik musi wybrać opcję Save (Zapisz), aby zapisać dane weryfikacji.


Wykonaj poniższe czynności, aby wyświetlić, wyeksportować lub usunąć dane.

- Naciśnij przycisk  i wybierz opcję Dane lub wybierz opcję Dane na ekranie głównym.
- Wybierz opcję.

Opcja	Opis
Wyświetl dane	Wyświetla dane w rejestrze danych. Najnowsze dane pokazują się pierwsze. Naciśnij przycisk strzałki w dół, aby wyświetlić więcej danych. Ikona kalibracji wskazuje, że typem danych są dane kalibracji. Ikona weryfikacji pokazuje, że typem danych są dane weryfikacji. Aby wyświetlić więcej szczegółów dotyczących punktu danych, należy wybrać wiersz danych i nacisnąć strzałkę w prawo. Aby zastosować filtr i wyświetlić tylko filtrowane dane, należy nacisnąć strzałkę w lewo i wybrać parametr, typ danych lub zakres dat.
Eksportuj dane	Wysyła kopię wszystkich danych z rejestru danych do podłączonego komputera lub urządzenia pamięci masowej USB. Aby podłączyć przyrząd do komputera, patrz Rysunek 4 na stronie 181. Aby podłączyć przyrząd do standardowego urządzenia pamięci masowej USB, należy użyć adaptera micro USB / USB typu A. Można również użyć urządzenia pamięci masowej USB ze złączem micro USB. Po podłączeniu urządzenia do komputera zostanie otwarte okno Eksploratora plików z dyskiem o nazwie „HQ-Series”. Rozwiń dysk i znajdź podfolder z nazwą miernika i numerem seryjnym. Plik danych jest wyświetlany jako plik .csv z datą i godziną w nazwie pliku. Zapisz plik .csv w wybranej lokalizacji na komputerze. Uwaga: Jeśli okno Eksploratora plików nie otworzy się automatycznie, otwórz okno Eksploratora plików i wyszukaj dysk z nazwą „HQ-Series”.

Opcja	Opis
Historia kalibracji	Pokazuje bieżące i poprzednie dane kalibracji dla podłączonej sondy.
Usuń dane	Usuwa wszystkie dane z rejestru danych. Ochrona hasłem może uniemożliwić dostęp do opcji usuwania danych.

Rozdział 12 Konserwacja

▲ UWAGA	
	Wiele zagrożeń. Tylko wykwalifikowany personel powinien przeprowadzać prace opisane w tym rozdziale niniejszego dokumentu.

12.1 Czyszczenie urządzenia

Oczyścić zewnętrzną powierzchnię instrumentu wilgotną ściereczką i łagodnym roztworem mydła, a następnie wytrzeć instrument do sucha.

12.2 Wymiana akumulatora

Akumulator należy wymienić, gdy nie można go naładować lub gdy nie utrzymuje ładunku. Należy używać wyłącznie akumulatora i ładowarki dostarczonych przez producenta. Patrz [Wkładanie akumulatora](#) na stronie 179.



12.3 Przygotowanie do wysyłki

Przyrząd jest wyposażony w akumulator litowo-jonowy należący do grupy materiałów niebezpiecznych, który musi być zgodny z przepisami dotyczącymi niebezpiecznych towarów we wszystkich rodzajach transportu. Aby wysłać przyrząd do naprawy lub konserwacji, należy postępować zgodnie z poniższymi procedurami:

- Przed wysyłką należy odłączyć sondy.
- Przed wysyłką wyczyścić i odkazić przyrząd.
- W celu zapewnienia najwyższego bezpieczeństwa należy wyjąć akumulator litowo-jonowy z przyrządu i nie wysłać akumulatora. Jeśli akumulator musi zostać wysłany, należy go umieścić w komorze akumulatora, ale nie podłączać do przyrządu. Umieścić obudowę akumulatora z włożonym akumulatorem w oddzielnym opakowaniu, aby zapobiec zetknięciu z materiałami przewodzącymi prąd elektryczny (np. metalami).
- Wysłać przyrząd w oryginalnym pudełku lub w innym bezpiecznym opakowaniu.

Rozdział 13 Rozwiązywanie problemów

13.1 Skorzystaj z wyświetlanych na ekranie instrukcji dotyczących rozwiązywania problemów

Interfejs użytkownika zawiera instrukcje dotyczące rozwiązywania problemów, które mogą wystąpić podczas pomiarów, kalibracji i weryfikacji. W przypadku wystąpienia problemu na wyświetlaczu pojawia się ikona błędu  lub ostrzeżenia  wraz z krótkim opisem problemu. Naciśnij strzałkę w prawo, aby wyświetlić zalecane procedury rozwiązania problemu.

Rozdział 14 Części zamienne

⚠ OSTRZEŻENIE



Niebezpieczeństwo uszkodzenia ciała. Stosowanie niezatwierdzonych części grozi obrażeniami ciała, uszkodzeniem urządzenia lub nieprawidłowym działaniem osprzętu. Części zamienne wymienione w tym rozdziale zostały zatwierdzone przez producenta.

Uwaga: Numery produktów i części mogą być różne w różnych regionach. Należy skontaktować się z odpowiednim dystrybutorem albo znaleźć informacje kontaktowe na stronie internetowej firmy.

Części zamienne

Opis	Numer elementu
Akumulator litowo-jonowy, 18650, 3200 mAh, język angielski	LEZ015.99.00001
Akumulator litowo-jonowy, 18650, 3100 mAh, język chiński	LEZ015.80.00001
Kabel, wtyk USB 2.0 typu A / wtyk micro typu B, 0,91 m (3 ft)	LEZ015.99.00002
Walizka na sondy standardowe	LEZ015.99.A001A
Walizka na sondy wzmacnione	LEZ015.99.A002A
Pasek na rękę i zatyczki przeciwpylowe	LEZ015.99.A005A
Podpórka z paskiem na rękę	LEZ015.99.A003A
Rękawica ochronna	LEZ015.99.A004A
Zasilacz USB, 5 V DC, 2 A, 100–240 V AC, USA	LEZ015.99.00006
Zasilacz USB, 5 V DC, 2 A, 100–240 V AC, UE + Wielka Brytania	LEZ015.99.00004
Zasilacz USB, 5 V DC, 2 A, 100–240 V AC, Chiny	LEZ015.99.00005
Zasilacz USB, 5 V DC, 2 A, 100–240 V AC, reszta świata	LEZ015.99.00007

Innehållsförteckning

- | | |
|--|------------------------------------|
| 1 Onlineanvändarhandbok på sidan 193 | 8 Användning på sidan 206 |
| 2 Produktöversikt på sidan 193 | 9 Meterinställningar på sidan 208 |
| 3 Specifikationer på sidan 194 | 10 Givarinställningar på sidan 209 |
| 4 Allmän information på sidan 195 | 11 Datahantering på sidan 209 |
| 5 Installation på sidan 197 | 12 Underhåll på sidan 210 |
| 6 Start på sidan 202 | 13 Felsökning på sidan 210 |
| 7 Användargränssnitt och navigering på sidan 203 | 14 Reservdelar på sidan 210 |

Avsnitt 1 Onlineanvändarhandbok

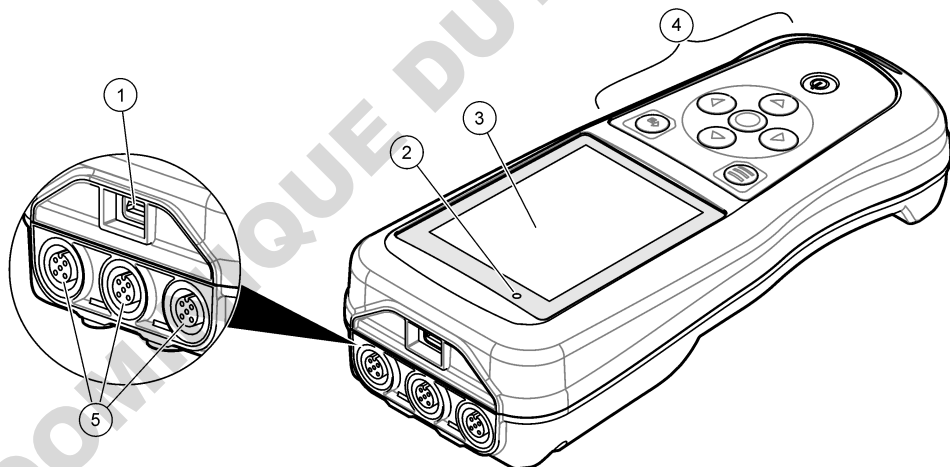
Den här grundläggande användarhandboken innehåller mindre information än användarhandboken, som finns på tillverkarens webbplats.

Avsnitt 2 Produktöversikt

Bärbara mätare i HQ-serien används med digitala Intellical- givare för mätning av en eller flera vattenkvalitetsparametrar. Mer information finns i [Figur 1](#). Mätaren identifierar automatiskt den givartyp som är ansluten. Mätaren kan anslutas till en dator eller USB-lagringsenhet för överföring av data som har sparats i mätaren. Med tillvalet Hach Communication Dongle (HCD) ansluts mätaren till Claros.

Bärbara mätare i HQ-serien finns i åtta modeller. I [Tabell 1](#) visas de typer av givare som kan anslutas till varje modell.

Figur 1 Produktöversikt



1 Micro-USB-kontakt	4 Tangentsats
2 LED indikator	5 Intellical-givarportar (alternativet med tre givarportar som visas)
3 Display	

Tabell 1 Mätarmodeller i HQ-serien

Mätarmodell	Givarkontakter	pH/mV/ORP ¹ elektroder	LDO/LBOD ² elektroder	Konduktivitet ³ elektroder	ISE ⁴ elektroder
HQ1110	1	✓			
HQ1130	1		✓		
HQ1140	1			✓	
HQ2100	1	✓	✓	✓	
HQ2200	2	✓	✓	✓	
HQ4100	1	✓	✓	✓	✓
HQ4200	2	✓	✓	✓	✓
HQ4300	3	✓	✓	✓	✓

Avsnitt 3 Specifikationer

Specifikationerna kan ändras utan föregående meddelande.

Specifikation	Information
Mått (L x B x H)	22 x 9.7 x 6.3 cm (8.7 x 3.8 x 2.5 tum)
Vikt	HQ1110, HQ1130, HQ1140 och HQ2100: 519 g (18,3 oz); HQ2200: 541 g (19,1 oz); HQ4100: 530 g (18,7 oz); HQ4200: 550 g (19,4 oz); HQ4300: 570 g (20,1 oz)
Höljets skyddsklass	IP67 med batterifack installerat
Strömförsörjning (internt)	Laddningsbart litiumjonbatteri 18650 (18 mm diameter x 65 mm längd, cylindriskt), 3,7 V DC, 3 200 mAh; batteriets livslängd: > 1 vecka vid normal användning (10 avläsningar/dag, 5 dagar/vecka i kontinuerligt läge eller läget Tryck för avläsning, eller > 24 timmar i intervallläge med 5 minuters intervall och avstängningstimer inställd på ≤ 15 minuter)
Strömförsörjning (extern)	Klass II, USB-strömadapter: 100 - 240 V AC, 50/60 Hz ingång; 5 V DC vid 2 A USB-strömadapterutgång
Mätarens skyddsklass	IEC klass III (drivs med SELV (Separated/Safety Extra-Low Voltage)); USB-strömadaptern är IEC klass II (dubbelisolerad)
Drifttemperatur	0 till 60 °C (32 till 140 °F)
Temperatur vid laddning	10 till 40 °C (50 till 104 °F)
Driftsfuktighet	90 % (icke-kondenserande)
Förvaringstemperatur	-20 till 60 °C (-4 till 140 °F), maximalt 90 % relativ luftfuktighet (icke-kondenserande)
Givarkontakt	M12-kontakt med fem stift för Intellical-givare
Micro-USB-kontakt	Micro-USB-kontakten möjliggör anslutning av USB-kabel och USB-strömadapter.
Datalogg (intern)	HQ1000-serien: 5 000 datapunkter; HQ2000-serien: 10 000 datapunkter; HQ4000-serien: 100 000 datapunkter
Datalagring	Automatisk lagring i läget Tryck för avläsning och intervallläge. Manuell lagring i kontinuerligt läge.

¹ PH-/mV-/ORP-givare har temperaturfunktion

² LDO/LBOD-givare har temperaturfunktion

³ Konduktivitetsgivare har funktioner för salinitet, TDS (total mängd upplösta fasta ämnen), resistivitet, temperatur

⁴ Jonselektiva givare, till exempel ammoniak, nitrat, klorid, fluorid, natrium

Specifikation	Information
Dataexport	USB-anslutning till PC eller USB-lagringsenhet (begränsat av lagringsenhetens kapacitet)
Temperaturkorrigering	Av, automatisk och manuell (parameterspecifikt)
Certifieringar	Verifierat enligt CE, UKCA, FCC, ISED, RCM, KC, ETL: US DOE/ NRCan Energy Efficiency, RoHS
Garanti	HQ1000- och HQ2000-serien: 1 år (USA), 2 år (EU); HQ4000-serien: 3 år (USA), 3 år (EU)

Avsnitt 4 Allmän information

Tillverkaren kommer under inga omständigheter att hållas ansvarig för skador som uppstår på grund av felaktig användning av produkten eller underlåtenhet att följa instruktionerna i manualen. Tillverkaren förbehåller sig rätten att göra ändringar i denna bruksanvisning och i produkterna som beskrivs i den när som helst och utan föregående meddelande och utan skyldigheter. Reviderade upplagor finns på tillverkarens webbsida.

4.1 Säkerhetsinformation

Tillverkaren tar inget ansvar för skador till följd av att produkten används på fel sätt eller missbrukas. Det omfattar utan begränsning direkta skador, oavsiktliga skador eller följdskador. Tillverkaren avsäger sig allt ansvar i den omfattning gällande lag tillåter. Användaren är ensam ansvarig för att identifiera kritiska användningsrisker och installera lämpliga mekanismer som skyddar processer vid eventuella utrustningsfel.

Läs igenom hela handboken innan instrumentet packas upp, monteras eller startas. Följ alla färo- och varningshänvisningar. Om dessa anvisningar inte följs kan användaren utsättas för fara eller utrustningen skadas.

Kontrollera att skyddet som ges av den här utrustningen inte är skadat. Utrustningen får inte användas eller installeras på något annat sätt än så som specificeras i den här handboken.

4.2 Anmärkning till information om risker

▲ FARA

Indikerar en potentiellt eller överhängande riskfylld situation som kommer att leda till livsfarliga eller allvarliga skador om den inte undviks.

▲ VARNING

Indikerar en potentiellt eller överhängande riskfylld situation som kan leda till livsfarliga eller allvarliga skador om situationen inte undviks.

▲ FÖRSIKTIGHET

Indikerar en potentiellt riskfylld situation som kan resultera i lindrig eller måttlig skada.

ANMÄRKNING:

Indikerar en potentiellt riskfylld situation som kan medföra att instrumentet skadas. Information som användaren måste ta hänsyn till vid hantering av instrumentet.

4.3 Säkerhetsskyltar

Beakta samtliga dekalerna och märken på instrumentet. Personskador eller skador på instrumentet kan uppstå om dessa ej beaktas. En symbol på instrumentet beskrivs med en försiktighetsvarning i handboken.

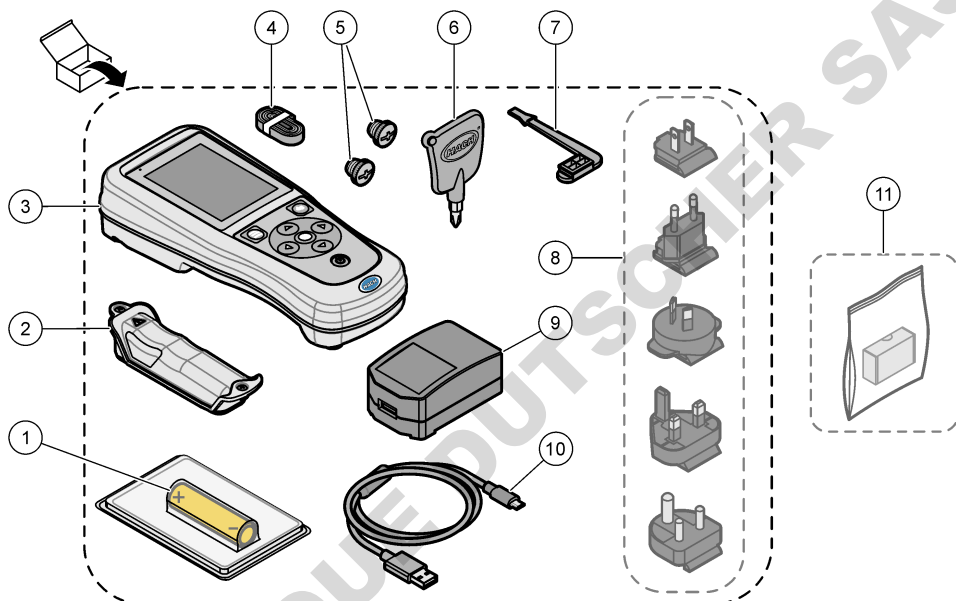


Elektrisk utrustning markerad med denna symbol får inte avyttras i europeiska hushållsavfallssystem eller allmänna avfallssystem. Returnera utrustning som är gammal eller har nått slutet på sin livscykel till tillverkaren för avyttring, utan kostnad för användaren.

4.4 Produktens komponenter

Se till att alla delar har tagits emot. Mer information finns i [Figur 2](#). Om några komponenter saknas eller är skadade ska du genast kontakta tillverkaren eller en återförsäljare.

Figur 2 Produktens komponenter



1 Laddningsbart litiumjonbatteri	7 USB-portplugg
2 Batterifack	8 Strömkontakt (tillval)
3 Mätare	9 USB-strömadapter
4 Handledssnodd	10 USB-kabel, Type A till micro, 1 m
5 Givarkontaktpluggar	11 Hach Communication Dongle (HCD) – tillval
6 Skruvmejsel (nr 1 Phillips)	

4.5 Certifiering

Canadian Radio Interference-causing Equipment Regulation, IECS-003, Klass B:

Referenstestresultat finns hos tillverkaren.

Den digitala apparaten motsvarar klass B och uppfyller alla krav enligt kanadensiska föreskrifter för utrustning som orsakar störning.

Cet appareil numérique de classe B répond à toutes les exigences de la réglementation canadienne sur les équipements provoquant des interférences.

FCC del 15, klass "B" gränser

Referenstestresultat finns hos tillverkaren. Denna utrustning uppfyller FCC-reglerna, del 15.

Användning sker under förutsättning att följande villkor uppfylls:

1. Utrustningen bör inte orsaka skadlig störning.
2. Utrustningen måste tåla all störning den utsätts för, inklusive störning som kan orsaka driftsstörning.

Ändringar eller modifieringar av utrustningen, som inte uttryckligen har godkänts av den part som ansvarar för överensstämelsen, kan ogiltigförklara användarens rätt att använda utrustningen. Den här utrustningen har testats och faller inom gränserna för en digital enhet av klass B i enlighet med FCC-reglerna, del 15. Dessa gränser har tagits fram för att ge rimligt skydd mot skadlig störning när utrustningen används i en kommersiell omgivning. Utrustningen genererar, använder och kan utstråla radiofrekvensenergi och kan, om den inte installeras och används enligt handboken, leda till skadlig störning på radiokommunikation. Användning av utrustningen i bostadsmiljö kan orsaka skadlig störning. Användaren ansvarar då för att på egen bekostnad korrigera störningen. Följande tekniker kan användas för att minska problemen med störningar:

1. Flytta utrustningen bort från den utrustning som tar emot störningen.
2. Positionera om mottagningsantennen för den utrustning som tar emot störningen.
3. Prova med kombinationer av ovanstående.

4.6 Hach Communication Dongle (tillval)

För Hach Communication Dongle (HCD) (tillval) används Bluetooth^{®5} Low Energy för kommunikation med Claros. Följ tillverkarens alla anvisningar och varningar i samband med installation och användning av enheten. Läs den dokumentation som medföljer HCD.

4.7 Avsedd användning

▲ FÖRSIKTIGHET



Risk för kemikalieexponering. Följ laboratoriets säkerhetsanvisningar och bär all personlig skyddsutrustning som krävs vid hantering av kemikalier. Läs aktuella datablad (MSDS/SDS) om säkerhetsanvisningar.

Bärbara mätare i HQ-serien är avsedda att användas av personer som mäter vattenkvalitetsparametrar i laboratoriet eller på fältet. Mätare i HQ-serien kan inte behandla eller förändra vatten.

Avsnitt 5 Installation

▲ FARA



Flera risker. Endast kvalificerad personal får utföra de moment som beskrivs i den här delen av dokumentet.

5.1 Säkerhet för litiumbatteri

▲ VARNING



Risk för brand och explosion. Litiumbatterier kan bli varma, explodera eller antändas och orsaka allvarliga skador om de behandlas ovarsamt.

- Använd inte batteriet om det finns synliga skador.

⁵ Bluetooth[®]-märket och logotyperna är registrerade varumärken som ägs av Bluetooth SIG, Inc. och all användning av sådana märken av HACH sker under licens.

- Använd inte batteriet efter kraftiga stötar eller vibrationer.
- Utsätt inte batteriet för eld eller upphettning.
- Förvara batteriet vid temperaturer under 70 °C (158 °F).
- Förvara batteriet torrt och borta från vatten.
- Förhindra kontakt mellan positiva och negativa poler.
- Låt inte obehöriga personer vidröra batteriet.
- Kassera batteriet i enlighet med lokala, regionala och nationella bestämmelser.
- Använd eller förvara inte instrumentet i direkt solljus, nära en värmekälla eller i omgivningar med hög temperatur, t.ex. i ett fordon som står i direkt solljus.

5.2 Installera batteriet

⚠ VARNING



Risk för brand och explosion. Denna utrustning innehåller ett litiumbatteri med hög energinivå vilket kan antändas och orsaka brand eller explosion, även utan ström. För att bibehålla säkerheten som tillhandahålls av instrumentets skyddskåpa, måste instrumenthöljen monteras och säkras med medföljande maskinvara.

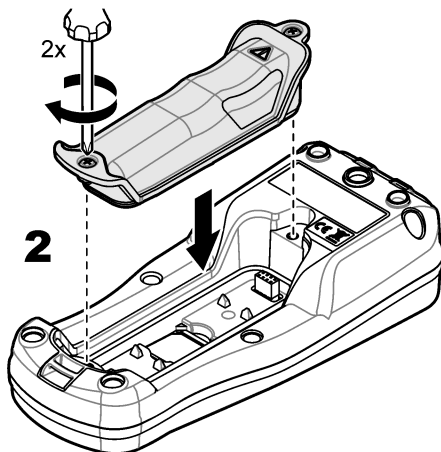
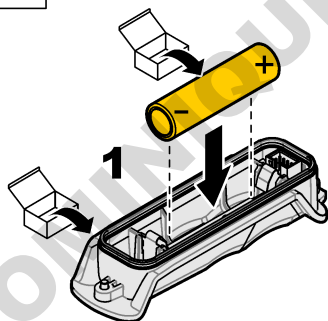
⚠ VARNING



Risk för explosion och brand. Batteriersättning är inte tillåtet. Använd endast batterier som levereras från instrumenttillverkaren.

Använd endast det laddningsbara litiumjonbatteriet som tillhandahålls av tillverkaren. Se [Figur 3](#) för information om isättning och borttagning av batteri.

Figur 3 Isättning och borttagning av batteri



5.3 Ladda batteriet

▲ FARA



Risk för dödande elchock. Om instrumentet används utomhus eller på våta platser måste en jordfelsbrytare (GFCI/GFI) användas vid anslutning av instrumentet till huvudströmkällan.

▲ VARNING



Brandfara. Använd endast det externa nätaggregatet som är specificerat för det här instrumentet.

▲ VARNING



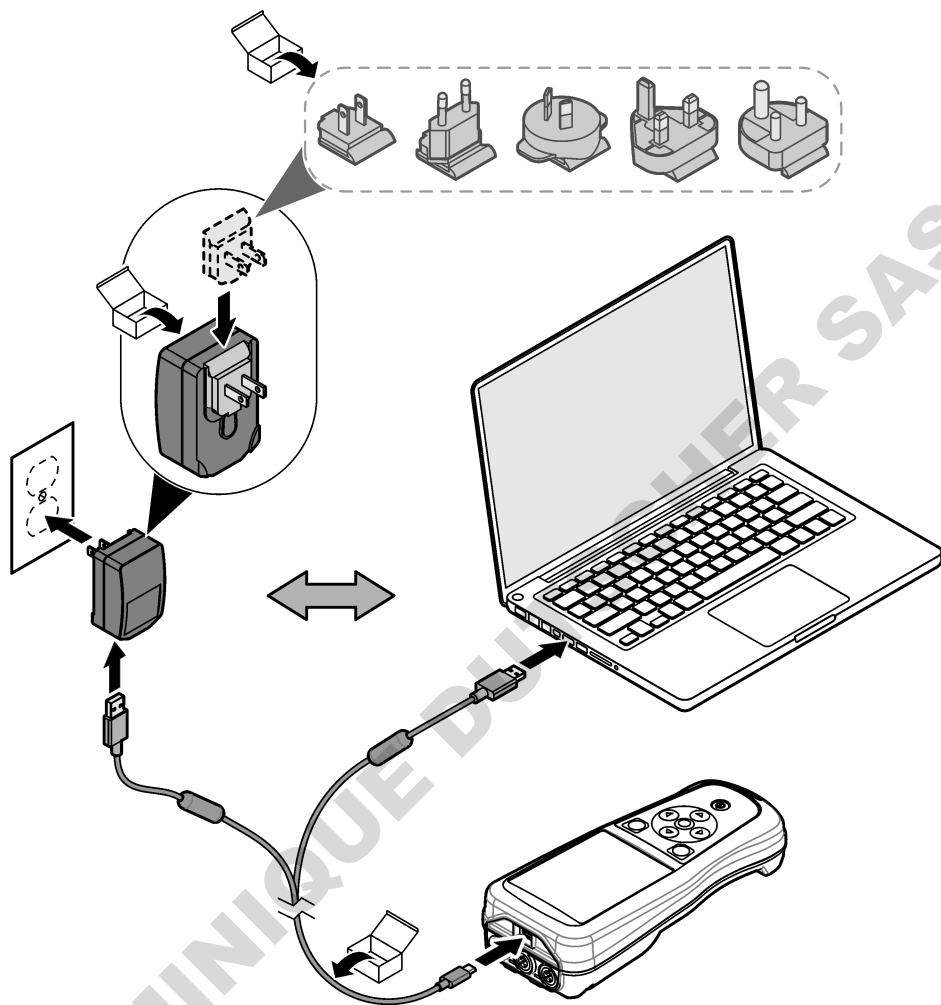
Risk för elektriska stötar. Externt ansluten utrustning måste ha en gällande säkerhetsstandardbedömning.

ANMÄRKNING:

Sätt alltid i USB-portens plugg när porten inte används för att hålla porten ren och förhindra korrosion. Ladda inte batteriet om USB-porten är våt, smutsig eller utsatt för korrosion. Se [Sätt i USB- och givarportpluggarna](#) på sidan 201.

Använd den medföljande USB-kabeln och USB-strömadaptern eller en dator för att ladda batteriet. Se [Figur 4](#). När instrumentet ansluts till elnätet och på/av-knappen trycks in lyser den gröna LED-indikatorn. Användaren kan använda instrumentet medan batteriet laddas. Ett batteri utan laddning blir fulladdat efter cirka 5 timmar när USB-strömadaptern används och instrumentet är avstängt. Se till att sätta i USB-portens plugg när USB-porten inte används. Se [Sätt i USB- och givarportpluggarna](#) på sidan 201.

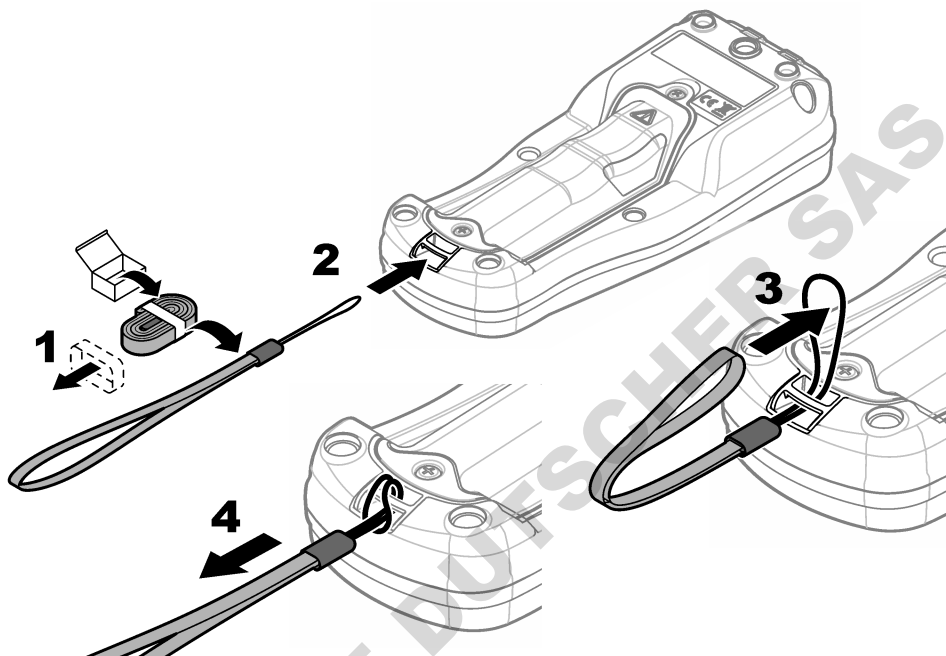
Figur 4 Anslut till USB-strömadaptern eller en dator



5.4 Sätt fast snodden

Sätt fast snodden så att du kan hålla mätaren på ett säkert sätt. Se [Figur 5](#).

Figur 5 Fastsättning av snodd

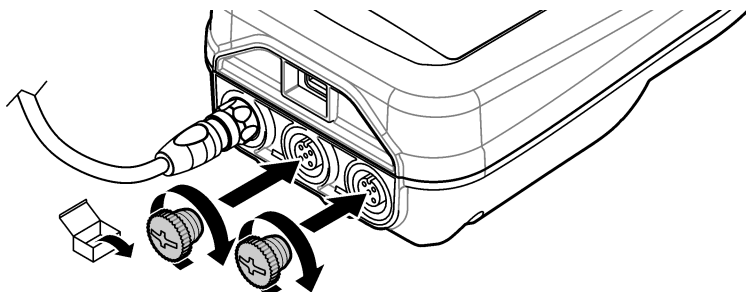


5.5 Sätt i USB- och givarportpluggarna

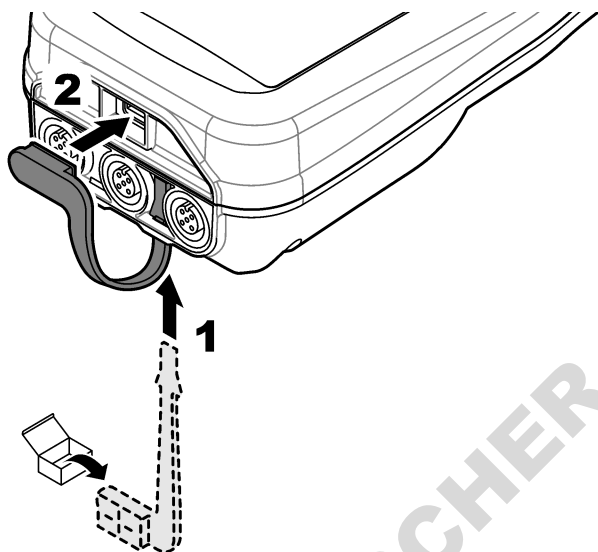
Se till att du sätter in portpluggarna i USB- och givarporten/givarporterna när portarna inte används för att hålla dessa rena och förhindra korrosion. Portpluggarna måste vara isatta i de tomma portarna för att instrumentets kapslingsklass ska bevaras. Se [Figur 6](#) och [Figur 7](#).

Observera: [Figur 6](#) visar en mätare med tre givarportar. Vissa mätarmodeller har bara en eller två givarportar.

Figur 6 Installation av portplugg



Figur 7 Installation av USB-portplugg



Avsnitt 6 Start

6.1 Starta mätaren

Tryck på  för att starta mätaren. Om mätaren inte startar kontrollerar du att batteriet är korrekt isatt eller att mätaren är ansluten till en strömkälla. Se [Ladda batteriet](#) på sidan 199.

6.2 Välj språk

När mätaren slås på för första gången eller när ett nytt batteri sätts i visas skärmen för val av språk. Välj önskat språk. Användaren kan även ändra språk från menyn Inställningar.

6.3 Ange datum och tid

När mätaren slås på för första gången eller när ett nytt batteri sätts i visas skärmen för datum och tid. Följ stegen nedan för att ställa in datum och tid.

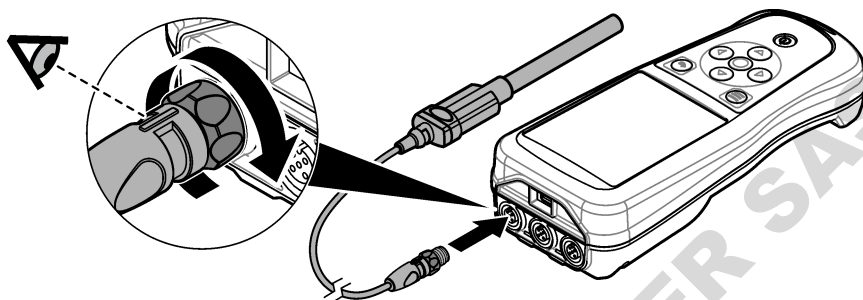
Observera: Användaren kan även ändra datum och tid från menyn Inställningar.

1. Använd uppåt- och nedåtpilarna för att välja datumformat.
2. Tryck på högerpilen för att gå till datum och tid.
3. Tryck på upp- och nedpilarna för att ändra datum och tid.
4. Tryck på högerpilen för att markera Spara.
5. Välj Spara för att spara inställningarna.

6.4 Ansluta en elektrod

Se till att tid och datum har ställts in i mätaren innan en givare ansluts. Tidstämpeln för elektroden anges när elektroden först ansluts till mätaren. I tidstämpeln registreras automatiskt givarhistoriken och tidpunkten för mätningarna. I [Figur 8](#) visas hur du ansluter en givare till mätaren.

Figur 8 Anslut en givare till mätaren



Avsnitt 7 Användargränssnitt och navigering

Efter start visas hemskärmen. Mer information finns i [Hemskärm](#) på sidan 203. Använd knappsatsen för att välja tillgängliga alternativ och för att ändra värden. Mer information finns i [Tangentsats](#) på sidan 205. Använd huvudmenyn för att gå till inställningar och andra menyer. Se [Huvudmeny](#) på sidan 206.

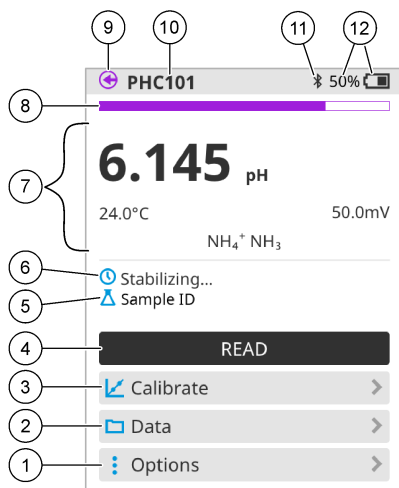
7.1 Hemskärm

På displayen visas hemskärmen när mätaren är påslagen och en givare ansluten till mätaren. Mer information finns i [Figur 9](#). Modellerna HQ4100, HQ4200 och HQ4300 har en färgdisplay. För modeller med två eller tre givarportar visas alla anslutna givare på skärmen. Se [Figur 10](#).

Följande uppgifter är tillgängliga från hemskärmen:

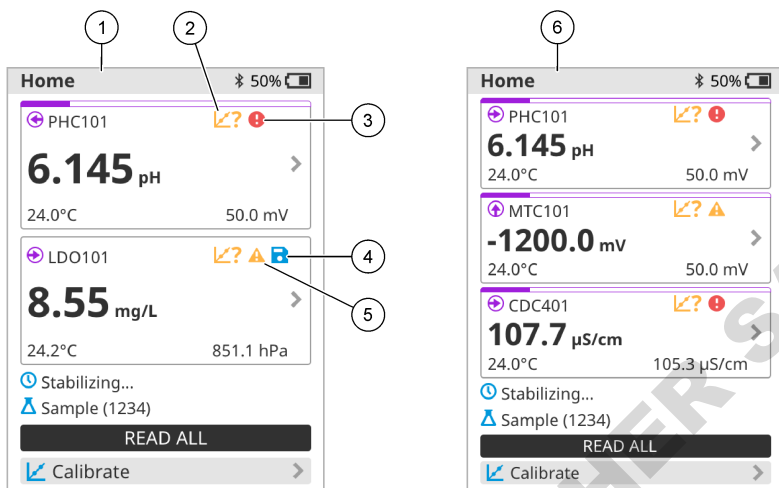
- Mät prover
- Kalibrera en givare
- Verifiera en kalibrering
- Ställ in prov-ID:n (identifiering)
- Visa och hantera data
- Läs steg-för-steg-instruktioner

Figur 9 Hemskr msexempel – en givare



1 Menyn Alternativ: ger �tkomst till instruktioner och andra menyer	7 M�tv�rdesavsnitt: visar uppm�tt v�rde, temperatur och enheter
2 Menyn Data: ger �tkomst till att visa och hantera data	8 Statusindikator f�r m�tstabilitet: visar status f�r m�tningen
3 Knappen Kalibrera: startar en kalibrering	9 Intellical-givarport: visar portplatsen f�r den anslutna givaren
4 Knappen M�t: l�ser av v�rdet f�r prov- eller standardl�sning	10 Intellical-givarnamn: visar modellnamnet f�r den anslutna givaren
5 Prov-ID: visar namnet p� det prov som m�ts	11 Bluetooth�-ikon (om Hach Communication Dongle �r installerad): visar n�r en Bluetooth-anslutning �r aktiv
6 Meddelandeomr�de: visar m�tstatus, prov-ID, fel och varningar	12 Batteriladdningsindikator: visar procentv�rdet f�r batteriladdningen

Figur 10 Hemskärmsexempel – två eller tre givare

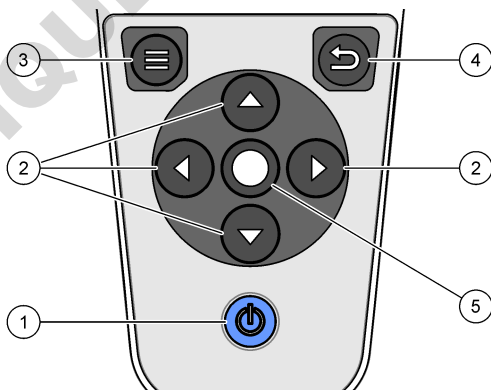


1 Hemskärm med två givare	4 Ikonen Spara: mätdata finns i dataloggen
2 Kalibreringsikon: anger att kalibreringen inte godkändes eller att den har gått ut	5 Varningsikon (mer information finns i Felsökning på sidan 210)
3 Felikon (mer information finns i Felsökning på sidan 210)	6 Hemskärm med tre givare

7.2 Tangentsats

En beskrivning av knappsetsen finns i [Figur 11](#).

Figur 11 Beskrivning av knappsetsen

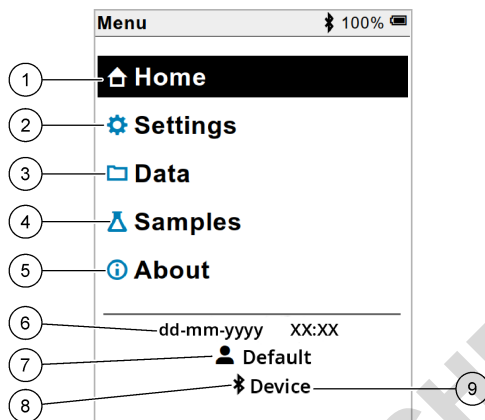


1 På/av-knapp	4 Knappen Bakåt
2 Navigeringspilar	5 Valknapp
3 Menyknapp	

7.3 Huvudmeny

Tryck på  (startside) för att gå tillbaka till huvudmenyn. Se [Figur 12](#).

Figur 12 Beskrivning av huvudmenyn



1 Hem	4 Menyn Prov-ID	7 Användar-ID
2 Menyn Inställningar	5 Skärmen Om mätaren	8 Bluetooth®-ikon (om HCD är installerad)
3 Menyn Data	6 Datum och tid	9 Bluetooth®-enhets-ID (om HCD är installerad)

Avsnitt 8 Användning

Det här avsnittet innehåller allmänna användningsinstruktioner för mätaren. Fullständiga instruktioner visas på skärmen i mätaren och finns även i användarhandboken för givaren.

8.1 Mät prover


Följande steg är allmänna anvisningar för hur du mäter prover med mätaren.

1. Välj mätläge. Se [Meterinställningar](#) på sidan 208.
2. Förbereda provet för mätning. Följ anvisningarna på skärmen i mätaren eller i användarhandboken för givaren.
3. Mät provet på följande sätt:
 - **Läget Tryck för avläsning:** Välj Mät (eller Läs alla) för att mäta provvärdet. Mätaren sparar automatiskt värdet.
 - **Intervalläge:** Välj Starta (eller Starta all) för att starta mätningarna. Mätaren mäter och sparar automatiskt provvärdet vid de angivna tidsintervallen. Välj Stoppa (eller Stoppa alla) för att stoppa mätningarna.
 - **Kontinuerligt läge:** Mätaren mäter kontinuerligt provvärdet. Välj Spara (eller Spara alla) för att spara det värde som visas på skärmen.

Efter varje mätning visas resultatet på displayen. Ikonen Spara visas på displayen om resultatet sparas i datalogen.

8.2 Kalibrera en givare


Följande steg är allmänna anvisningar för givarkalibrering med mätaren. Information om hur du ändrar kalibreringsinställningarna finns i [Givarinställningar](#) på sidan 209.

1. På hemskrmen väljer du  Kalibrera. Om fler än en givare är ansluten väljer du den givare som ska kalibreras. På displayen visas de lösningar som ska användas för kalibreringen.
2. Förbered buffertarna eller standardlösningarna för kalibrering. Följ anvisningarna på skärmen i mätaren eller i användarhandboken för givaren.
3. Välj Mät för att starta kalibreringen. Mätaren mäter värdet för kalibreringslösningen. När mätningen är klar visas resultatet på skärmen.
4. Välj Mät för att mäta värdet för de andra buffertarna eller standardlösningarna, om tillämpligt. Välj Spara för att spara kalibreringen.

Observera: Om kalibreringen inte godkänns läser du felsökningsanvisningarna på skärmen i mätaren eller i användarhandboken för givaren.

8.3 Verifiera kalibreringen

Följande steg är allmänna anvisningar för hur du verifierar en givarkalibrering med mätaren. Information om hur du ändrar verifieringsinställningarna finns i [Givarinställningar](#) på sidan 209.

1. På hemskrmen väljer du Alternativ > Verifiera kalibrering. På displayen visas den buffert eller standardlösning som ska användas för verifieringen.
2. Förbered bufferten eller standardlösningen för verifiering. Följ anvisningarna på skärmen i mätaren eller i användarhandboken för givaren.
3. Välj Mät för att starta verifieringen. Mätaren mäter värdet för verifieringslösningen. När mätningen är klar visas resultatet på skärmen.
4. Om verifieringen lyckas  väljer du Spara för att spara resultatet.

Observera: Om verifieringen inte godkänns läser du felsökningsanvisningarna på skärmen i mätaren eller i användarhandboken för givaren.

8.4 Inkludera prov-ID i mätdata


Instrumentet kan spara ett provnamn (ID) med lagrade mätdata. Ange flera provnamn i instrumentet och välj sedan tillämpligt provnamn innan proverna mäts. Instrumentet lägger till siffror till prover med samma namn, t.ex. "Provnamn (2)".

1. Tryck på  och välj Prov.
2. Välj ett alternativ.

Alternativ	Beskrivning
Prov	Väljer det provnamn som ska sparas tillsammans med provmätningarna.
Skapa nytt prov	Öppnar en skärm där du kan lägga till nya provnamn. Provnamn kan bestå av bokstäver och siffror.
Ta bort prov	Tar bort provnamn.

8.5 Inkludera användar-ID i lagrade data

Instrumentet kan registrera ett användarnamn (ID) med lagrade data. Ange flera användarnamn i instrumentet och välj sedan tillämpligt användarnamn innan kalibreringar eller mätningar påbörjas.


1. Tryck på  och välj Inställningar. Listan med inställningar visas.
2. Välj Användare.
3. Välj ett alternativ.

Alternativ	Beskrivning
Användare	Väljer användarnamn. Det valda användarnamnet visas på huvudmenyskärmen och sparas med lagrade data.
Skapa ny användare	En skärm öppnas där du kan lägga till nya användarnamn. Användarnamn kan bestå av bokstäver och siffror.
Ta bort användare	Tar bort användarnamn.

Avsnitt 9 Meterinställningar

Följ stegen som följer för att ändra mätarens allmänna inställningar.

Observera: Lösenordsskydd kan förhindra åtkomst till vissa menyer. Se bruksanvisningen online för information om åtkomstkontroll.

1. Tryck på  och välj Inställningar. Listan med inställningar visas.
2. Välj ett alternativ.


Alternativ	Beskrivning
[Sondnamn]	Ändrar sondspecifika inställningar för mätningar, kalibrering och verifiering. Se Givarinställningar på sidan 209 för att ändra inställningarna för den anslutna sonden.
Mätläge	Ställer in när mätningarna startas. Alternativ: Tryck för avläsning, Kontinuerlig eller Intervall. Tryck för avläsning: Provet mäts endast när Mät trycks in. Data sparas automatiskt i dataloggen när stabilitetskriterierna är uppfyllda. Intervall: Provet mäts med regelbundna intervall under en viss tid. Data lagras automatiskt i dataloggen. Kontinuerlig: Mätaren mäter provvärdet kontinuerligt. Data sparas endast i dataloggen när användaren väljer Spara.
Temperatur	Ställer in temperaturenheterna till ° C eller ° F.
Skärm	Ändrar inställningarna för displayen. Alternativ: Ljustyrka, Bakgrundsbelysning och Avstängning. Ljustyrka: Ändrar bakgrundsbelysningens intensitet. Alternativ: 10 till 100 % (standard: 50 %). Bakgrundsbelysning: Ställer in bakgrundsbelysningen när mätaren inte används under en viss tid. Alternativ: 15 sekunder, 30 sekunder, 1 minut, 5 minuter eller Aldrig. Avstängning: Ställer in mätaren avstängd när mätaren inte används under en viss tid. Alternativ: 1 minut, 2 minuter, 5 minuter, 10 minuter, 30 minuter, 1 timme, 2 timmar eller Aldrig.
Ljud	Ställer in mätaren för att skapa ett ljud under knapptryckningar eller aviseringar. Alternativ: Knapptryckning, Stabilitetsvarning, Påminnelse, Felvarning/varning eller (batteri) Laddning klar .
Användare	Väljer en användare, lägger till en ny användare eller raderar en användare.
Datum-Tid	Ställer in datum / tidsformat, datum och tid i mätaren.
Språk	Ställer in målspråket.

Alternativ	Beskrivning
Åtkomst	Ställer in ett lösenord för att förhindra åtkomst till sondinställningarna, vissa mätarinställningar (måtläge, temperatur, språk) och programuppdateringar. En användare utan lösenord kan inte ta bort inställningar eller data när åtkomstkontrollen är på.
Diagnostik	Skapar en diagnostisk fil för teknisk support eller tjänst om ett tekniskt problem uppstår. Användaren måste ansluta mätaren till en dator för att hämta filen.

Avsnitt 10 Givarinställningar

När en givare är ansluten till mätaren kan användaren ändra givarinställningarna för mätningar, kalibreringar och verifieringar. Se stegen nedan för att få åtkomst till inställningarna för den anslutna givaren. En fullständig beskrivning av inställningarna finns i onlineanvändarhandboken för mätaren.

Observera: Lösenordsskydd kan förhindra åtkomst till vissa menyer. Mer information om säkerhetsinställningar finns i onlineanvändarhandboken.

1. Tryck på  och välj Inställningar. Listan med inställningar visas.
2. Välj givarnamn.
3. Välj tillämpligt alternativ: Mätning, Kalibrering eller Verifiering.

Avsnitt 11 Datahantering

Mätaren sparar data från provmätningar, kalibreringar och verifieringar enligt följande:

- Provmätningar – mätaren sparar uppmätta provdata automatiskt när mätläget är Tryck för avläsning eller Intervall. När mätläget är Kontinuerligt måste användaren välja Spara för att spara uppmätta provdata. Ikonen Spara visas på hemskärmen när uppmätta provdata finns i dataloggen.
- Kalibreringsdata – användaren måste välja Spara för att spara kalibreringsdata. Kalibreringsdata sparas i mätaren och i Intellical-givaren.
- Verifieringsdata – användaren måste välja Spara för att spara verifieringsdata.

Följ stegen nedan för att visa, exportera eller ta bort data.

1. Tryck på  och välj Data eller välj Data på hemskärmen.
2. Välj ett alternativ.

Alternativ	Beskrivning
Visa data	<p>Visar data i dataloggen. De senaste data visas först. Tryck på nedåtpilen för att visa mer data. Kalibreringsikonen visas när datatypen är kalibreringsdata. Verifieringsikonen visas när datatypen är verifieringsdata.</p> <p>Om du vill visa mer information om en datapunkt markerar du en datarad och trycker på högerpilen. Om du vill använda ett filter och endast visa filtrerade data trycker du på vänsterpilen och väljer en parameter, en datatyp eller ett datumintervall.</p>
Exportera data	<p>Skickar en kopia av alla data i dataloggen till en ansluten dator eller en USB-lagringsenhet. I Figur 4 på sidan 200 visas hur du ansluter instrumentet till en dator. Om du vill ansluta instrumentet till en USB-lagringsenhet av standardtyp använder du en adapter för Micro USB till USB Type A. Du kan även använda en USB-lagringsenhet som har en Micro USB-kontakt.</p> <p>När instrumentet ansluts till en dator öppnas ett fönster i Utforskaren till en enhet med namnet "HQ-Series". Expandera enheten och sök reda på en undermapp med namn och serienummer för mätaren. Datafilen visas som en .csv-fil med datum och tid som filnamn. Spara .csv-filen i en mapp på datorn.</p> <p>Observera: Om fönstret i Utforskaren inte öppnas automatiskt öppnar du ett fönster i Utforskaren och söker reda på en enhet med namnet "HQ-Series".</p>
Kalibreringshistorik	Visar aktuella och tidigare kalibreringsdata för en ansluten givare.
Ta bort data	Raderar alla data i dataloggen. Lösenordsskydd kan förhindra åtkomst till alternativet för borttagning av data.

Avsnitt 12 Underhåll

▲ FÖRSIKTIGHET



Flera risker. Endast kvalificerad personal får utföra de moment som beskrivs i den här delen av dokumentet.

12.1 Rengöra instrumentet

Rengör instrumentets utsida med en fuktig duk och en mild tvållösning, och torka sedan av instrumentet efter behov.

12.2 Byta batteriet

Byt ut batteriet när det inte laddas eller laddas ur snabbt. Använd endast det batteri och den batteriladdare som tillhandahålls av tillverkaren. Se [Installera batteriet](#) på sidan 198.

12.3 Förbered för transport

Instrumentet innehåller ett litiumjonbatteri som är underställt regleringar för farligt material och regler för farligt gods för alla typer av transport måste följas. Använd följande procedurer för att skicka instrumentet för reparation eller underhåll:

- Koppla bort givarna före transport.
- Rengör och dekontaminera instrumentet före transport.
- För att upprätthålla säkerheten tar du bort litiumjonbatteriet från enheten och skickar inte batteriet. Om batteriet måste skickas låter du det sitta kvar i batterifacket men ansluter inte batterifacket till instrumentet. Placera batterifacket med det installerade batteriet i ett separat paket för att förhindra kontakt med elektriskt ledande material (t.ex. metaller).
- Transportera instrumentet i originalförpackningen eller i en annan skyddsförpackning.

Avsnitt 13 Felsökning

13.1 Följ felsökningsanvisningarna på skärmen

I användargränssnittet visas felsökningsanvisningar som är till hjälp för att åtgärda problem som kan uppstå under mätningar, kalibreringar och verifieringar. När ett problem uppstår visas felikonen ⓘ eller varningsikonen ▲ med en kort beskrivning av problemet på displayen. Tryck på högerpilen för att se de rekommenderade procedurerna för att åtgärda problemet.

Avsnitt 14 Reservdelar

▲ VARNING



Risk för personskada. Användning av icke godkända delar kan orsaka personskador eller skador på maskinen eller utrustningen. Reservdelar i detta avsnitt är godkända av tillverkaren.

Observera: Produkt- och artikelnummer kan variera i olika försäljningsregioner. Kontakta lämplig återförsäljare eller se företagets webbsida för att få kontaktinformation.

Reservdelar

Beskrivning	Produktnr
Batteri, litiumjon, 18650, 3 200 mAh, engelskt språk	LEZ015.99.00001
Batteri, litiumjon, 18650, 3 100 mAh, kinesiskt språk	LEZ015.80.00001

Reservdelar (fortsättning)

Beskrivning	Produktnr
Kabel, USB 2.0 Type A-kontakt till Micro Type B-kontakt, 0,91 m	LEZ015.99.00002
Fältväska för standardgivare	LEZ015.99.A001A
Fältväska för extra tåliga givare	LEZ015.99.A002A
Handledssnodd och dammpluggar	LEZ015.99.A005A
Stöd med handledsrem	LEZ015.99.A003A
Skyddsfodral	LEZ015.99.A004A
USB-strömadapter, 5 V DC, 2 A, 100 - 240 V AC, USA	LEZ015.99.00006
USB-strömadapter, 5 V DC, 2 A, 100 - 240 V AC, EU + UK	LEZ015.99.00004
USB-strömadapter, 5 V DC, 2 A, 100 - 240 V AC, Kina	LEZ015.99.00005
USB-strömadapter, 5 V DC, 2 A, 100 - 240 V AC, övriga världen	LEZ015.99.00007

Sisällysluettelo

- 1 [Online-käyttöopas](#) sivulla 212
- 2 [Tuotteen yleiskuvaus](#) sivulla 212
- 3 [Tekniset tiedot](#) sivulla 213
- 4 [Yleistietoa](#) sivulla 214
- 5 [Asentaminen](#) sivulla 216
- 6 [Käynnistys](#) sivulla 221
- 7 [Käyttöliittymä ja selaaminen](#) sivulla 222
- 8 [Käyttö](#) sivulla 225
- 9 [Mittarin asetukset](#) sivulla 227
- 10 [Anturin asetukset](#) sivulla 228
- 11 [Tietojen hallinta](#) sivulla 228
- 12 [Huoltaminen](#) sivulla 229
- 13 [Vianmääritys](#) sivulla 229
- 14 [Varaosat](#) sivulla 229

Osa 1 Online-käyttöopas

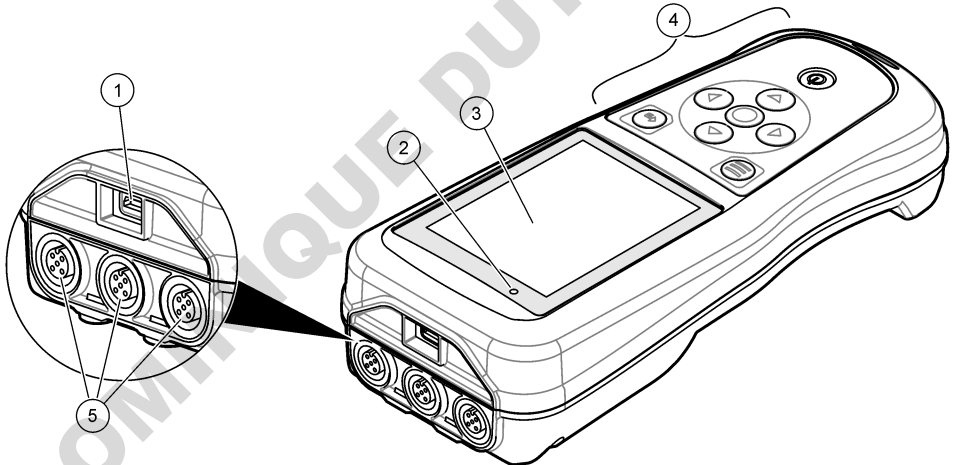
Tässä peruskäyttöoppaassa on vähemmän tietoja kuin käyttöoppaassa, joka on saatavilla valmistajan verkkosivuilla.

Osa 2 Tuotteen yleiskuvaus

HQ-sarjan kannettavia mittareita käytetään digitaalisten Intellical-anturien kanssa yhden tai useamman veden laatuparametrin mittaamiseen. Katso [Kuva 1](#). Mittari tunnistaa automaattisesti siihen kytketyn anturin tyypin. Mittari voidaan liittää tietokoneeseen tai USB-muistilaitteeseen, jolloin niihin voidaan siirtää mittariin tallennettuja tietoja. Lisävarusteena saatava Hach-tiedonsiirtovastaanotin (HCD) yhdistää mittarin Claros-järjestelmään.

HQ-sarjan kannettavista mittareista on saatavilla kahdeksan mallia. [Taulukko 1](#) kertoo, mitä antureita kuhunkin malliin voidaan liittää.

Kuva 1 Tuotteen yleiskuvaus



1 Micro-USB-liitäntä	4 Näppäimistö
2 Led-merkkivalo	5 Intellical-anturiportit (kuvassa kolmen anturiportin malli)
3 Näyttö	

Taulukko 1 HQ-sarjan mittarimallit

Mittarimalli	Anturiliitännät	pH/mV/ORP ¹ - anturit	LDO/LBOD ² - anturit	Johtokyky ³ - anturit	ISE ⁴ -anturit
HQ1110	1	✓			
HQ1130	1		✓		
HQ1140	1			✓	
HQ2100	1	✓	✓	✓	
HQ2200	2	✓	✓	✓	
HQ4100	1	✓	✓	✓	✓
HQ4200	2	✓	✓	✓	✓
HQ4300	3	✓	✓	✓	✓

Osa 3 Tekniset tiedot

Tekniset tiedot voivat muuttua ilman ennakoilmoitusta.

Ominaisuus	Tiedot
Mitat (p x l x k)	22 x 9,7 x 6,3 cm (8,7 x 3,8 x 2,5 tuumaa)
Paino	HQ1110, HQ1130, HQ1140 ja HQ2100: 519 g (18,3 unssia); HQ2200: 541 g (19,1 unssia); HQ4100: 530 g (18,7 unssia); HQ4200: 550 g (19,4 unssia); HQ4300: 570 g (20,1 unssia)
Kotelointiluokitus	IP67, kun akkulokero on asennettu
Virtalähde (sisäinen)	Ladattava litiumioniakku 18650 (halkaisija 18 mm x pituus 65 mm, lieriömäinen), 3,7 VDC, 3 200 mAh, akun kesto > 1 viikko tyypillisessä käytössä (10 lukemaa/päivä, 5 päivää/viikko jatkuvassa tilassa tai Lue painamalla -tilassa tai > 24 tuntia intervallitilassa 5 minuutin välein ja sammutuksen ajastin ≤ 15 minuuttia)
Virtalähde (ulkoinen)	Luokan II USB-virtasovitin: tulo 100–240 VAC, 50/60 Hz; lähtö 5 VDC, 2 A:n USB-virtasovittimella
Mittarin suojausluokka	IEC-luokka III (SELV-virta, Separated/Safety Extra-Low Voltage), USB-virtasovitin kuuluu IEC-luokkaan II (kaksoiseristetty)
Käyttölämpötila	0...60 °C (32...140 °F)
Latauslämpötila	10...40 °C (50...104 °F)
Käyttöympäristön kosteus	90 % (tiivistymätön)
Säilytyslämpötila	-20...60 °C (-4...140 °F), tiivistymätön suhteellinen kosteus enintään 90 %
Anturiliitäntä	5-nastainen M12-liitin Intellical-antureille
Micro-USB-liitäntä	Micro-USB-liitäntä mahdollistaa USB-kaapelin ja USB-virtasovittimen kytkennän.
Dataloki (sisäinen)	HQ1000-sarja: 5 000 datapistettä; HQ2000-sarja: 10 000 datapistettä; HQ4000-sarja: 100 000 datapistettä
Muisti	Automaattinen tallennus Lue painamalla- ja intervallitiloissa. Manuaalinen tallennus jatkuvassa tilassa.

¹ pH/mV/ORP-antureissa on myös lämpötila

² LDO/LBOD-antureissa on myös lämpötila

³ Johtokykyantureita ovat saliniteetti, TDS (liuennneiden kiintoaineiden kokonaismäärä), ominaisvastus, lämpötila

⁴ Ioniselektiiviset anturit, kuten ammoniakki, nitraatti, kloridi, fluoridi, natrium

Ominaisuus	Tiedot
Tietojen siirtäminen	USB-liittännän kautta tietokoneeseen tai USB-tallennusvälineeseen (tallennusvälineen kapasiteetin mukaan).
Lämpötilakorjaus	Poissa käytöstä, automaattinen tai manuaalinen (parametrin mukaan)
Sertifioinnit	CE, UKCA, FCC, ISED, RCM, KC, ETL Verifioitu: US DOE/ NRCan Energy Efficiency, RoHS
Takuu	HQ1000- ja HQ2000-sarja: 1 vuosi (Yhdysvallat), 2 vuotta (EU), HQ4000-sarja: 3 vuotta (Yhdysvallat), 3 vuotta (EU)

Osa 4 Yleistietoa

Valmistaja ei ole missään tilanteessa vastuussa vahingoista, jotka aiheutuvat tuotteen epäasianmukaisesta käytöstä tai käyttöoppaan ohjeiden noudattamatta jättämisestä. Valmistaja varaa oikeuden tehdä tähän käyttöohjeeseen ja kuvaamaan tuotteeseen muutoksia koska tahansa ilman eri ilmoitusta tai velvoitteita. Päivitetyt käyttöohjeet ovat saatavilla valmistajan verkkosivuilta.

4.1 Turvallisuustiedot

Valmistaja ei ole vastuussa mistään virheellisestä käytöstä aiheuvista vahingoista mukaan lukien rajoituksetta suorista, satunnaisista ja välillisistä vahingoista. Valmistaja sanoutuu irti tällaisista vahingoista soveltuvien lakien sallimissa rajoissa. Käyttäjä on yksin vastuussa sovellukseen liittyvien kriittisten riskien arvioinnista ja sellaisten asianmukaisten mekanismien asentamisesta, jotka suojaavat prosesseja laitteen toimintahäiriön aikana.

Lue nämä käyttöohjeet kokonaan ennen tämän laitteen pakkauksesta purkamista, asennusta tai käyttöä. Kiinnitä huomiota kaikkiin vaara- ja varoimilausekkeisiin. Niiden laiminlyönti voi johtaa käyttäjän vakavaan vammaan tai laitteistovaurioon.

Jotta laitteen suojaus ei heikentyisi, sitä ei saa käyttää tai asentaa muuten kuin näissä ohjeissa kuvatulla tavalla.

4.2 Vaaratilanteiden merkintä

▲ VAARA
Ilmoittaa mahdollisesti vaarallisesta tai välittömän vaaran aiheuttavasta tilanteesta, joka aiheuttaa kuoleman tai vakavan vamman.
▲ VAROITUS
Ilmoittaa potentiaalisesti tai uhkaavasti vaarallisen tilanteen, joka, jos sitä ei vältetä, voi johtaa kuolemaan tai vakavaan vammaan.
▲ VAROTOIMI
Ilmoittaa mahdollisesti vaarallisesta tilanteesta, joka voi aiheuttaa lievän tai kohtalaisen vamman.
HUOMAUTUS
Ilmoittaa tilanteesta, joka saattaa aiheuttaa vahinkoa laitteelle. Tieto, joka vaatii erityistä huomiota.

4.3 Varoitustarrat

Lue kaikki laitteen tarrat ja merkinnät. Ohjeiden käyttöohjeessa voi seurata henkilövamma tai laitevaurio. Laitteen symboliin viitataan käsikirjassa, ja siihen on liitetty varoitus.

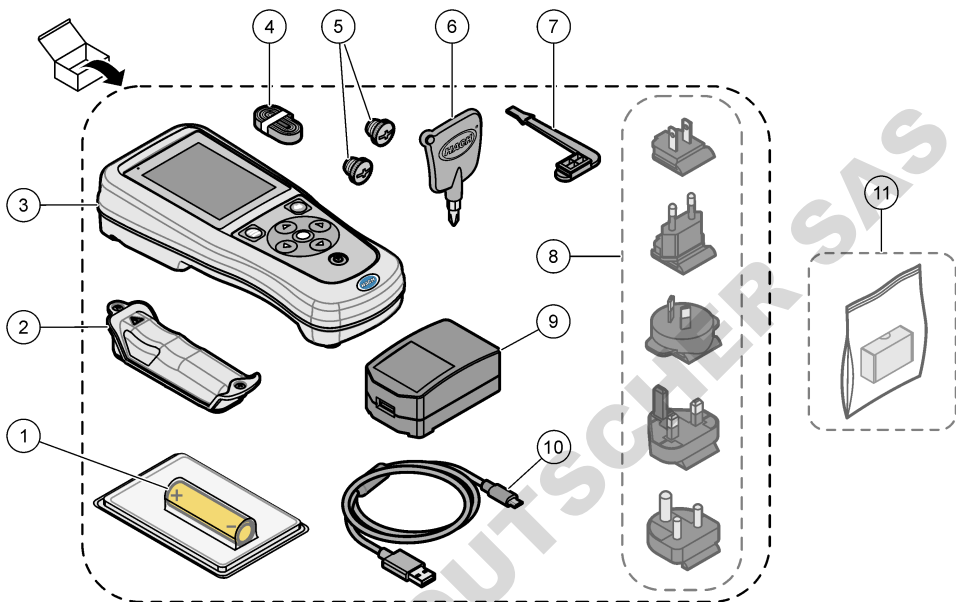


Sähkölaitteita, joissa on tämä symboli, ei saa hävittää yleisille tai kotitalousjätteille tarkoitetuissa eurooppalaisissa jätteiden hävitysjärjestelmissä. Vanhat tai käytöstä poistetut laitteet voi palauttaa maksutta valmistajalle hävittämistä varten.

4.4 Tuotteen osat

Varmista, että laitteen mukana on toimitettu kaikki tarvittavat osat. Katso [Kuva 2](#). Jos jokin tarvikkeista puuttuu tai on viallinen, ota välittömästi yhteys valmistajaan tai toimittajaan.

Kuva 2 Tuotteen osat



1	Ladattava litiumioniakku	7	USB-portin tulppa
2	Paristokotelo	8	Valinnaiset virtapistokkeet
3	Mittari	9	USB-virtasovitin
4	Rannehihna	10	USB-kaapeli, tyyppi A – Micro, 1 m (3,3 jalkaa)
5	Anturiliitännän tulpat	11	Valinnainen Hach-tiedonsiirtovastaanotin (HCD)
6	Ruuvitaltta (ristipää PH 1)		

4.5 Sertifiointi

Canadian Radio Interference-Causing Equipment Regulation, ICES-003, luokka A:

Tarkemmat testitulokset ovat valmistajalla.

Tämä luokan B digitaalinen laite vastaa kaikkia Kanadan häiriötä tuottavista laitteista annettujen säästösten vaatimuksia.

Cet appareil numérique de classe B répond à toutes les exigences de la réglementation canadienne sur les équipements provoquant des interférences.

FCC Osa 15, luokan "B" rajoitukset

Tarkemmat testitulokset ovat valmistajalla. Laite vastaa FCC-säästösten osaa 15. Laitteen toimintaa koskevat seuraavat ehdot:

1. Laite ei saa aiheuttaa haitallisia häiriötä.
2. Laitteen on voitava vastaanottaa häiriötä, mukaan lukien häiriöt, jotka voivat olla syynä epätoivottuun toimintaan.

Tähän laitteeseen tehdyt, muut kuin yhteensopivuudesta vastaavan osapuolen hyväksymät muutokset tai muokkaukset saattavat johtaa käyttäjän menettämään oikeutensa käyttää tätä laitetta.

Tämä laite on testattu ja sen on todettu olevan luokan B digitaalinen laite, joka vastaa FCC-säädösten osaa 15. Nämä rajoitukset on laadittu antamaan kohtuullinen suoja haitallisilta häiriöiltä, kun laitetta käytetään kaupallisessa ympäristössä. Tämä laite kehittää, käyttää ja saattaa säteillä radiotaajuusenergiaa, ja näiden ohjeiden vastaisesti asennettuna tai käytettynä se saattaa aiheuttaa haitallisia häiriöitä radioliikenteeseen. Tämän laitteen käyttö asuinalueella aiheuttaa todennäköisesti haitallisia häiriöitä, missä tapauksessa käyttäjän on korjattava tilanne omalla kustannuksellaan. Häiriöitä voidaan vähentää seuraavilla tavoilla:

1. Siirrä laite kauemmas häiriötä vastaanottavasta laitteesta.
2. Sijoita häiriötä vastaanottavan laitteen antenni toiseen paikkaan.
3. Kokeile edellä annettujen ohjeiden yhdistelmiä.

4.6 Hach-tiedonsiirtovastaanotin (lisävaruste)

Lisävarusteena saatava Hach-tiedonsiirtovastaanotin (HCD) käyttää Bluetooth®⁵ Low Energy -yhteyttä tiedonsiirtoon Claros-järjestelmän kanssa. Asenna ja käytä laitetta valmistajan ohjeiden ja varoitusten mukaisesti. Lisätietoja on HCD:n mukana toimitetuissa asiakirjoissa.

4.7 Käyttötarkoitus

▲ VAROTOIMI



Kemikaalille altistumisen vaara. Noudata laboratorion turvallisuusohjeita ja käytä käsiteltäville kemikaaleille soveltuvia suojavarusteita. Lue turvallisuusprotokollat ajan tasalla olevista käyttöturvatieotteista (MSDS/SDS).

HQ-sarjan kannettavat mittarit on tarkoitettu henkilöille, jotka mittaavat veden laatuparametreja laboratoriossa tai kentällä. HQ-sarjan mittarit eivät käsittele tai muuta vettä.

Osa 5 Asentaminen

▲ VAARA



Useita vaaroja. Vain ammattitaitoinen henkilö saa suorittaa käyttöohjeen tässä osassa kuvatut tehtävät.

5.1 Litiumioniakkujen turvallisuusohjeet

▲ VAROITUS



Tulipalo- ja räjähdysvaara. Väärinkäytetyt litiumakut voivat kuumeta, räjähtää tai syttyä palamaan ja aiheuttaa vakavia vammoja.

- Älä käytä akkua, jos siinä on näkyviä vaurioita.
- Älä käytä akkua, jos se on altistunut kovalle iskulle tai tärinälle.
- Älä altista akkua tulelle tai syttymiselle.
- Pidä akun ympäristön lämpötila alle 70 °C:ssa (158 °F).
- Pidä akku kuivana ja pois veden lähetyviltä.
- Estä akun eri napoja koskettamasta toisiaan.
- Älä anna valtuuttamattomien henkilöiden koskea akkuun.

⁵ Bluetooth®-sanamerkki ja -logot ovat Bluetooth SIG, Inc:n omistamia rekisteröityjä tavaramerkkejä, ja HACHin mahdollinen merkkien käyttö on luvanvaraista.

- Hävitä paristo paikallisten ja kansallisten asetusten mukaisesti.
- Älä käytä tai säilytä laitetta suorassa auringonvalossa, lämmönlähteen lähellä tai kuumissa ympäristöissä, kuten auringonpaisteessa olevissa suljetuissa ajoneuvoissa.

5.2 Akun asentaminen

▲ VAROITUS



Tulipalo- ja räjähdysvaara. Tässä laitteessa on suurienergiainen litiumakku, joka voi syttyessään aiheuttaa tulipalon tai räjähdyksen, vaikka laitteeseen ei olisi kytketty virtaa. Jotta laitteen kotelon suojaus säilyy, kotelon suojukset on asennettava ja kiinnitettävä mukana toimitettavilla työkaluilla.

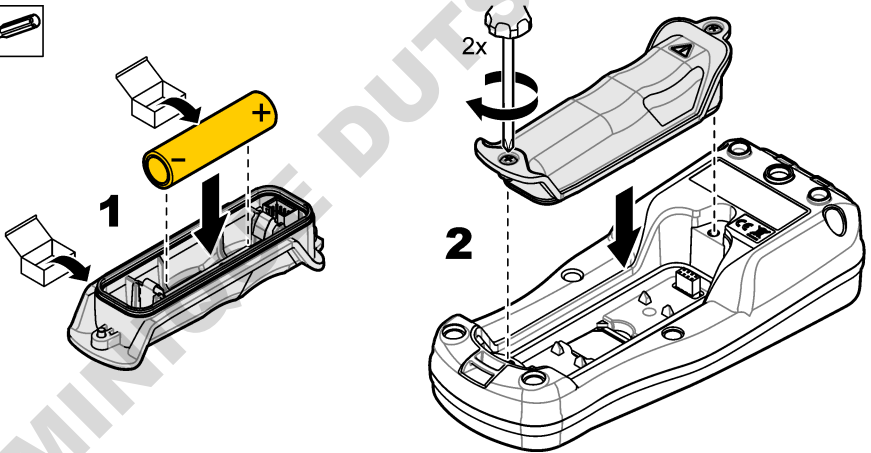
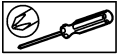
▲ VAROITUS



Räjähdys- ja tulipalovaara. Akun korvaaminen on kiellettyä. Käytä vain sellaisia akkuja, jotka laitteen valmistaja on toiminut.

Käytä vain valmistajan toimittamaa ladattavaa litiumioniakkua. [Kuva 3](#) esittää akun asentamista ja irrottamista.

Kuva 3 Akun asentaminen ja irrottaminen



5.3 Akun lataaminen

⚠ VAARA



Tappavan sähköiskun vaara. Jos laitetta käytetään ulkona tai mahdollisesti märässä paikassa, on käytössä oltava vikavirtakytkin laitteen ja virtalähteen välissä.

⚠ VAROITUS



Tulipalon vaara. Käytä vain tälle instrumentille tarkoitettua ulkoista virtalähdettä.

⚠ VAROITUS



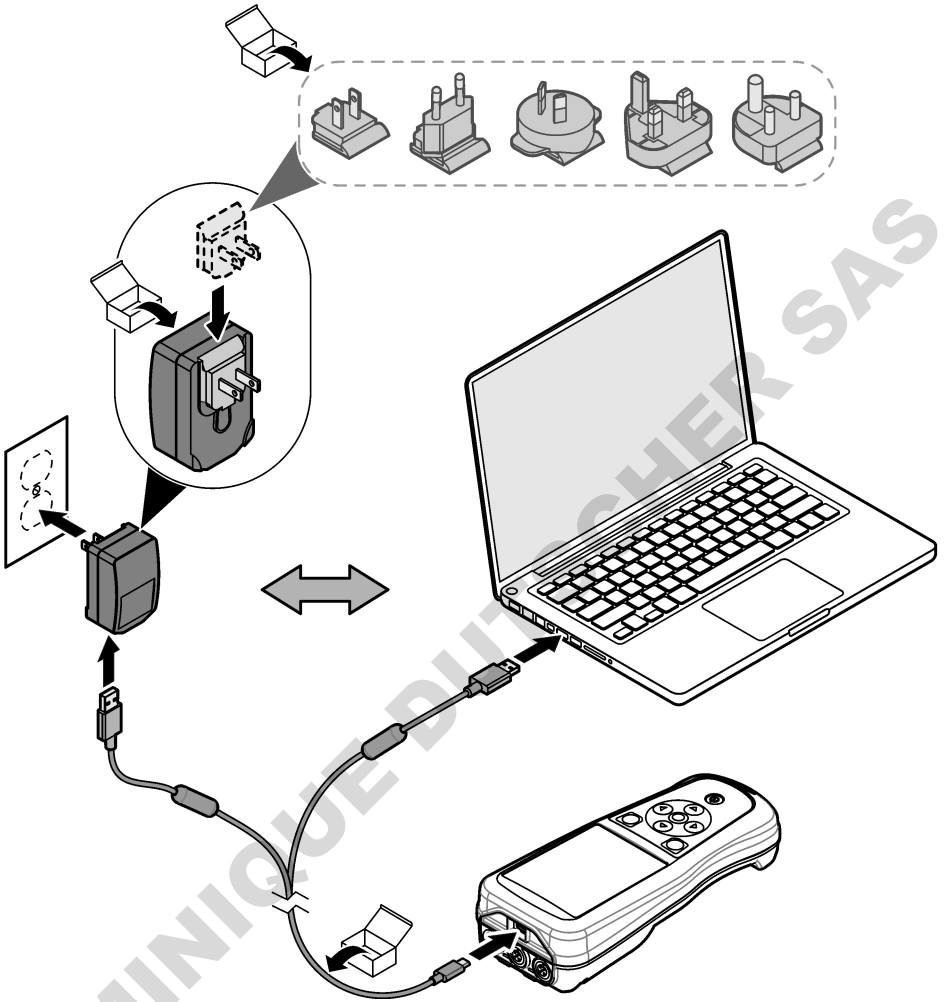
Sähköiskun vaara. Ulkoisesti kytketyillä laitteilla on oltava kyseisen maan turvallisuusstandardiarvio.

HUOMAUTUS

Asenna USB-porttitulppa aina, kun porttia ei käytetä. Näin portti pysyy puhtaana, eikä syövy. Jos USB-portti on kostea, liikainen tai syöpynyt, älä lataa akkua. Katso kohta [USB- ja anturiporttitulppien asentaminen](#) sivulla 220.

Lataa akku mukana toimitetulla USB-kaapelilla ja USB-virtasovittimella tai tietokoneella. Katso kohta [Kuva 4](#). Kun laite liitetään virtalähteeseen ja virtapainiketta painetaan, vihreä merkkivalo syttyy. Laitetta voi käyttää akun latauksen aikana. Tyhjä akku latautuu täyteen noin viidessä tunnissa, kun käytetään USB-virtasovittinta ja laitteen virta on katkaistu. Muista asentaa USB-porttitulppa, kun USB-porttia ei käytetä. Katso kohta [USB- ja anturiporttitulppien asentaminen](#) sivulla 220.

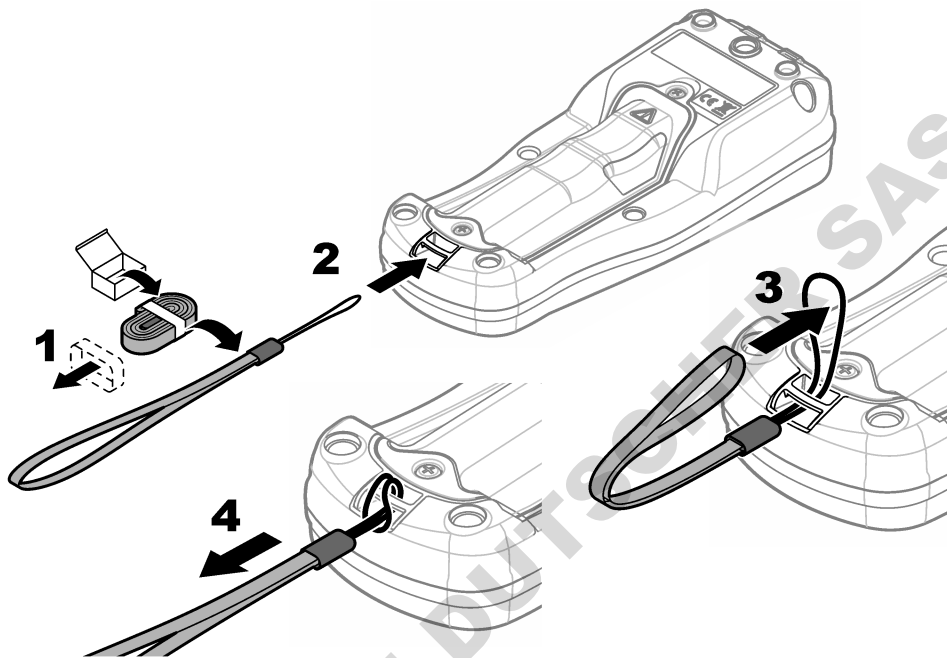
Kuva 4 USB-virtasovittimen tai tietokoneeseen kytkeminen



5.4 Hihnan asentaminen

Kiinnitä mittariin hihna, jonka avulla mittaria on tukeva pidellä. Katso [Kuva 5](#).

Kuva 5 Hihnan asentaminen

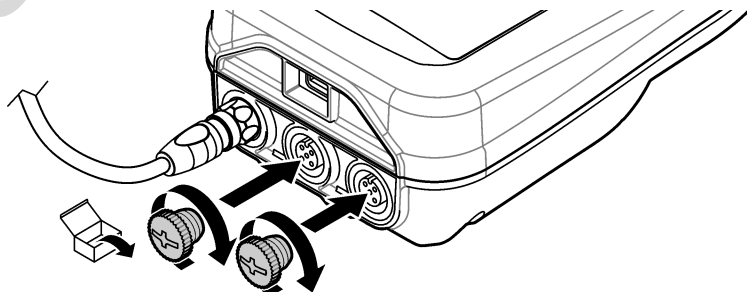


5.5 USB- ja anturiporttitulppien asentaminen

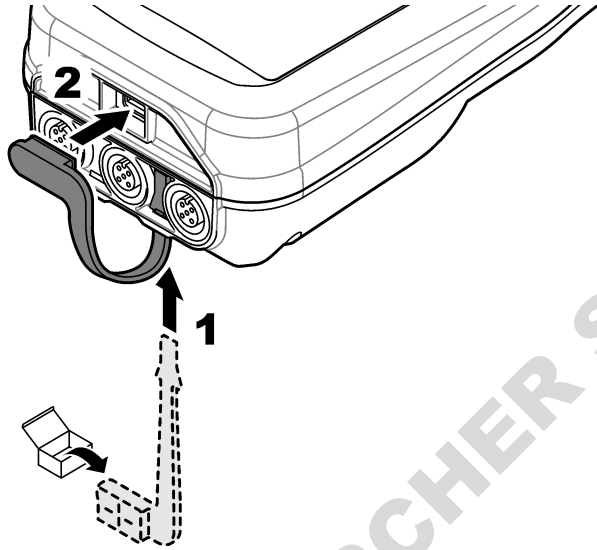
Muista asentaa porttitulpat USB- ja anturiportteihin, kun portit eivät ole käytössä. Näin portit pysyvät puhtaina, eivätkä syövy. Porttitulpat on asennettava tyhjiin portteihin, jotta laitteen koteloituukitus säilyy. Katso kohta [Kuva 6](#) ja [Kuva 7](#).

Huomaus: [Kuva 6](#) – mittari, jossa on kolme anturiporttia. Joissakin mittarimalleissa on vain yksi tai kaksi anturiporttia.

Kuva 6 Porttitulpan asennus



Kuva 7 USB-porttitulpan asennus



Osa 6 Käynnistys

6.1 Mittarin käynnistäminen

Käynnistä mittari painamalla painiketta . Jos mittari ei käynnisty, varmista, että akku on asennettu oikein tai että mittari on liitetty virtalähteeseen. Katso [Akun lataaminen](#) sivulla 218.

6.2 Valitse kieli

Kun mittari käynnistetään ensimmäisen kerran tai kun uusi akku on asennettu, näytössä näkyy kielen valintanäyttö. Valitse haluamasi kieli. Kieltä voi vaihtaa myös Asetukset-valikosta.

6.3 Päivämäärän ja kellonajan asettaminen

Kun mittari käynnistetään ensimmäisen kerran tai kun uusi akku on asennettu, näytössä näkyy päivämäärän ja ajan näyttö. Määritä päivämäärä ja kellonaika suorittamalla seuraavat vaiheet.

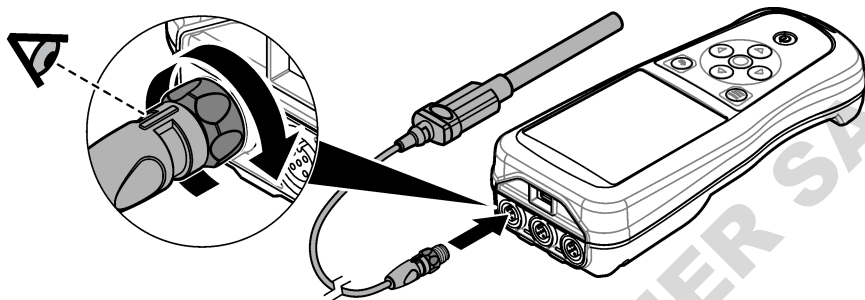
Huomautus: Päivämäärää ja kellonaikaa voi muuttaa myös Asetukset-valikosta.

1. Valitse päivämäärän muoto ylä- ja alanuolipainikkeilla.
2. Siirry päivämäärään ja kellonaikaan painamalla oikeaa nuolipainiketta.
3. Muuta päivämäärää ja aikaa ylä- ja alanuolipainikkeilla.
4. Valitse kohta Tallenna painamalla oikeaa nuolipainiketta.
5. Valitse Tallenna säilyttääksesi asetukset.

6.4 Anturin kytkeminen

Varmista, että asetat mittarin ajan ja päivämäärän ennen anturin liittämistä. Anturin aikaleima määritetään, kun anturi kytketään mittariin ensimmäisen kerran. Aikaleima tallentaa automaattisesti anturin käyttöhistorian ja ajan mittausten yhteydessä. Katso lisätietoja anturin liittämisestä mittariin kohdasta [Kuva 8](#).

Kuva 8 Anturin liittäminen mittariin



Osa 7 Käyttöliittymä ja selaaminen

Käynnistyksen jälkeen näyttöön avautuu aloitusnäyttö. Katso [Aloitusnäyttö](#) sivulla 222. Voit valita käytettävissä olevia asetuksia ja muuttaa arvoja näppäimistön avulla. Katso [Näppäimistö](#) sivulla 224. Päävalikon kautta voit siirtyä asetuksiin ja muihin valikoihin. Katso [Päävalikko](#) sivulla 225.

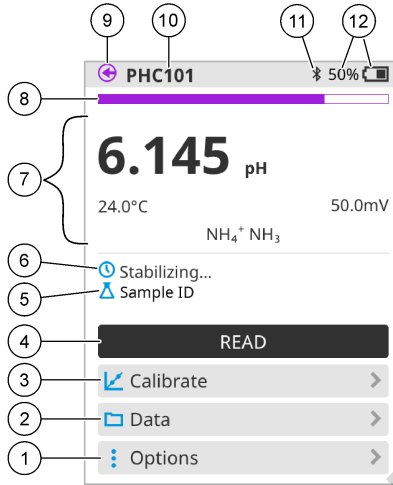
7.1 Aloitusnäyttö

Aloitusnäyttö avautuu näytölle, kun mittari on käynnistetty ja siihen on liitetty anturi. Katso [Kuva 9](#). Malleissa HQ4100, HQ4200 ja HQ4300 on värinäyttö. Jos mallissa on kaksi tai kolme anturiporttia, näytössä näkyvät kaikki kytketyt anturit. Katso [Kuva 10](#).

Seuraavat toiminnot ovat käytettävissä aloitusnäytössä:

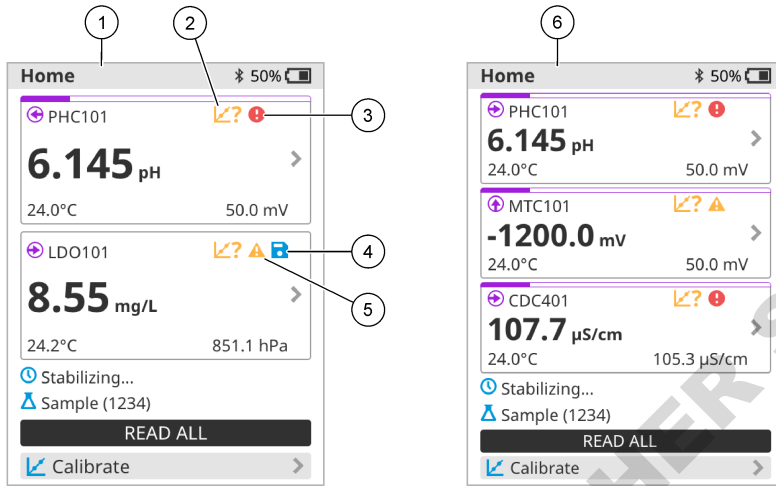
- Näytteiden mittaaminen
- Anturin kalibrointi
- Kalibroinnin varmentaminen
- Näytetunnusten asettaminen (tunnistaminen)
- Tietojen tarkasteleminen ja hallinta
- Vaiheittaisten ohjeiden tarkastelu

Kuva 9 Esimerkki aloitusnäytöstä: yksi anturi



1 Asetukset-valikko: näyttää ohjeet ja muita valikoita	7 Mittausarvon osio: näyttää mitatun arvon, lämpötilan ja yksiköt
2 Tiedot-valikko: tietojen tarkasteleminen ja hallinta	8 Mittauksen vakauden ilmaisimien: näyttää mittauksen tilan
3 Kalibroi-painike: käynnistää kalibroinnin	9 Intellical-anturiportti: näyttää liitetyn anturin portin sijainnin
4 Lue-painike: lukee näytteen tai standardiliuoksen arvon	10 Intellical-anturin nimi: näyttää liitetyn anturin mallinimen
5 Näytetunnus: näyttää mitattavan näytteen nimen	11 Bluetooth®-kuvake (jos Hach-tiedonsiirtovastaanotin on asennettu): näyttää, kun Bluetooth-yhteys on käytössä
6 Viestialue: näyttää mittauksen tilan, näytetunnuksen, virheet ja varoitukset	12 Akun varauksen osoitin: kertoo akun varauksen prosentteina

Kuva 10 Esimerkki aloitusnäytöstä: kaksi tai kolme anturia

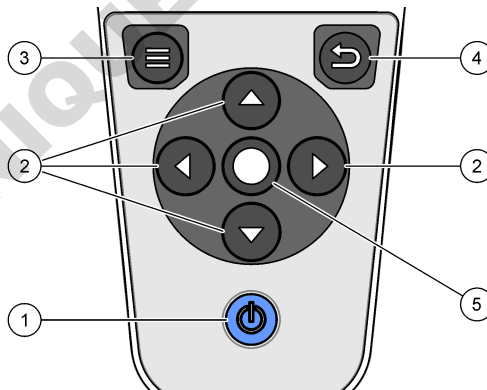


1 Aloitusnäyttö, jossa on kaksi anturia	4 Tallennuskuvake: mittaustiedot ovat datalokissa
2 Kalibrointikuvake: ilmaisee, että kalibrointia ei ole hyväksytty tai se on vanhentunut	5 Varoituskuvake (katso kohta Vianmääritys sivulla 229)
3 Virhekuvake (katso kohta Vianmääritys sivulla 229)	6 Aloitusnäyttö, jossa on kolme anturia

7.2 Näppäimistö


Katso näppäimistön kuvaus kohdasta [Kuva 11](#).

Kuva 11 Näppäimistön kuvaus

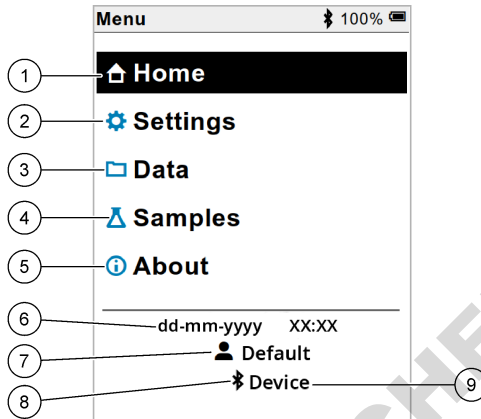


1 Virtapainike	4 Paluunäppäin
2 Nuolipainikkeet	5 Valintapainike
3 Valikkonäppäin	

7.3 Päävalikko

Palaa päävalikkoon painamalla painiketta . Katso [Kuva 12](#).

Kuva 12 Päävalikon kuvaus



1 Koti	4 Näytetunnus-valikko	7 Käyttäjätunnus
2 Asetukset-valikko	5 Tietoja mittarista -näyttö	8 Bluetooth®-kuvake (jos HCD on asennettu)
3 Tiedot-valikko	6 Päivämäärä ja kellonaika	9 Bluetooth®-laitetunnus (jos HCD on asennettu)

Osa 8 Käyttö

Tässä osiossa kuvataan mittarin yleiset käyttöohjeet. Lisätietoja löytyy mittarin näyttöohjeista tai anturin käyttöoppaasta.

8.1 Näytteiden mittaaminen


Seuraavassa ohjeessa kuvataan yleisluontoiset vaiheet näytteiden mittaamiseen mittarin avulla.

1. Valitse mittaustila. Katso [Mittarin asetukset](#) sivulla 227.
2. Valmistele näyte mittausta varten. Käytä mittarin näytössä olevia ohjeita tai anturin käyttöoppaan ohjeita.
3. Mittaa näyte seuraavasti:
 - **Lue painamalla -tila:** Mittaa näytteen arvo valitsemalla Lue (tai Lue kaikki). Mittari tallentaa arvon automaattisesti.
 - **Intervallitila:** Aloita mittaukset valitsemalla Aloita tai Aloita kaikki. Mittari mittaa ja tallentaa näytearvon automaattisesti määritetyin aikavälein. Voit pysäyttää mittaukset valitsemalla Pysäytä tai Pysäytä kaikki.
 - **Jatkuva tila:** mittari mittaa näytearvoa jatkuvasti. Tallenna näytössä näkyvä arvo valitsemalla Tallenna (tai Tallenna kaikki).

Jokaisen mittauksen jälkeen näytössä näkyy tulos. Näytössä näkyy tallennuskuvake, jos tulos on tallennettu datalokiin.

8.2 Anturin kalibroiminen

Seuraavat vaiheet ovat yleisluontoisia vaiheita anturin kalibroimiseen mittarin avulla. Lisätietoja kalibrointiasetusten muuttamisesta on kohdassa [Anturin asetukset](#) sivulla 228.

1. Valitse aloitusnäytössä  Kalibroi. Jos mittariin on liitetty useita antureita, valitse kalibroitava anturi. Näytössä näkyvät kalibroinnissa käytettävät liuokset.
2. Valmistele puskurit tai standardiliuokset kalibrointia varten. Käytä mittarin näytössä olevia ohjeita tai anturin käyttöoppaan ohjeita.
3. Aloita kalibrointi valitsemalla Lue. Mittari mittaa kalibrointiliuoksen arvon. Kun mittaus on valmis, tulos näkyy näytössä.
4. Valitse Lue, jos haluat mitata muiden puskureiden tai standardiliuosten arvon. Tallenna kalibrointi valitsemalla Tallenna.


Huomautus: Jos kalibrointia ei hyväksytä, katso lisätietoja mittarin näyttöön avautuvista vianmääritysohjeista tai anturin käyttöoppaasta.

8.3 Kalibroinnin varmentaminen

Seuraavat vaiheet ovat yleisluontoisia vaiheita anturin kalibroinnin varmentamiseen mittarin avulla. Lisätietoja varmennusasetusten muuttamisesta on kohdassa [Anturin asetukset](#) sivulla 228.

1. Valitse aloitusnäytössä Asetukset > Vahvista kalibrointi. Näytössä näkyy varmennukseen käytettävä puskuritai standardiliuos.
2. Valmistele puskuritai standardiliuos varmennusta varten. Käytä mittarin näytössä olevia ohjeita tai anturin käyttöoppaan ohjeita.
3. Aloita varmennus valitsemalla Lue. Mittari mittaa varmennusliuoksen arvon. Kun mittaus on valmis, tulos näkyy näytössä.

Huomautus: Jos mittariin on liitetty useita antureita, valitse varmennettava anturi.

2. Valmistele puskuritai standardiliuos varmennusta varten. Käytä mittarin näytössä olevia ohjeita tai anturin käyttöoppaan ohjeita.
3. Aloita varmennus valitsemalla Lue. Mittari mittaa varmennusliuoksen arvon. Kun mittaus on valmis, tulos näkyy näytössä.
4. Jos varmennus onnistuu , tallenna tulos valitsemalla Tallenna.

Huomautus: Jos varmennusta ei hyväksytä, katso lisätietoja mittarin näyttöön avautuvista vianmääritysohjeista tai anturin käyttöoppaasta.

8.4 Näytetunnuksen sisällyttäminen mittaustietoihin


Laite voi tallentaa näytteen nimen (tunnuksen) tallennettujen mittaustietojen kanssa. Syötä laitteeseen useita näytteiden nimiä ja valitse sitten oikea näytteen nimi ennen näytteiden mittausta. Laite lisää numeroita näytteisiin, joilla on sama nimi, esimerkiksi "Näytteen nimi (2)".

1. Paina painiketta  ja valitse Näytteet.
2. Valitse vaihtoehto.

Vaihtoehto	Kuvaus
Näyte	Valitsee näytteen nimen, joka tallennetaan näytemittausten mukana.
Luo uusi näyte	Avaa näytön, jossa voit lisätä uusia näytenimiä. Näytteiden nimet voivat sisältää kirjaimia ja numeroita.
Poista näytteitä	Poistaa näytteiden nimet.

8.5 Sisällyttä käyttäjätunnus tallennettuihin tietoihin

Laite voi tallentaa käyttäjänimen (tunnuksen) tallennettujen tietojen kanssa. Syötä laitteeseen useita käyttäjänimiä ja valitse sitten oikea käyttäjänimi ennen kalibrointien tai mittausten aloittamista.


1. Paina painiketta  ja valitse Asetukset. Asetusluettelo tulee näkyviin.
2. Valitse Käyttäjät.
3. Valitse vaihtoehto.

Vaihtoehto	Kuvaus
Käyttäjät	Valitsee käyttäjänimen. Valittu käyttäjänimi näkyy päävalikkonäytössä ja tallennetaan tallennettujen tietojen kanssa.
Luo uusi käyttäjä	Avaa näytön, jossa voit lisätä uusia käyttäjänimiä. Käyttäjänimet voivat sisältää kirjaimia ja numeroita.
Poista käyttäjiä	Poistaa käyttäjänimiä.

Osa 9 Mittarin asetukset

Suorita seuraavat vaiheet muuttaaksesi mittarin yleisiä asetuksia.

Huomautus: Salasanasuojaus saattaa estää joidenkin valikkojen käytön. Katso online-käyttöoppaasta tietoja pääsynvalvonnasta.


1. Paina painiketta  ja valitse Asetukset. Asetusluettelo tulee näkyviin.
2. Valitse vaihtoehto.

Vaihtoehto	Kuvaus
[Anturin nimi]	Muuttaa anturikohtaiset asetukset mittaauksille, kalibroinnille ja varmennukselle. Katso Anturin asetukset sivulla 228 muuttaaksesi kytketyn anturin asetuksia.
Mittaustila	Asetetaan, kun aloitetaan mittaus. Vaihtoehdot: Lue painamalla, Jatkuva tai Aikaväli. Lue painamalla: Näyte mitataan vain, kun painetaan Lue. Tiedot tallennetaan datalokiin automaattisesti, kun vakauskriteerit täyttyvät. Aikaväli: Näyte mitataan säännöllisin väliajoin tietyn ajan. Tiedot tallennetaan datalokiin automaattisesti. Jatkuva: Mittari mittaa näytteen arvoa jatkuvasti. Tiedot tallennetaan tietolokiin vain, kun käyttäjä valitsee Tallenna.
Lämpötila	Asettaa lämpötilayksiköt ° C tai ° F.
Näyttö	Muuttaa näytön asetuksia. Vaihtoehdot: Kirkkaus, Taustavalo ja Sammutus. Kirkkaus: Muuttaa taustavalon voimakkuutta. Vaihtoehdot: 10–100 % (oletusarvo: 50 %). Taustavalo: Asettaa taustavalon pois päältä, kun mittaria ei käytetä tietyn ajan jälkeen. Vaihtoehdot: 15 sekuntia, 30 sekuntia, 1 minuutti, 5 minuuttia tai Ei koskaan. Sammutus: Asettaa mittarin pois päältä, kun mittaria ei käytetä tietyn ajan jälkeen. Vaihtoehdot: 1 minuutti, 2 minuuttia, 5 minuuttia, 10 minuuttia, 30 minuuttia, 1 tunti, 2 tuntia tai Ei koskaan.
Äänet	Asettaa mittariin äänet näppäinpainikkeiden ja ilmoitusten aikana. Vaihtoehdot: Painiketta painettu, Vakausvaroitus, Muistutus, Virhe/varoitus tai (akku) Lataus valmis .
Käyttäjät	Valitsee käyttäjän, lisää uuden käyttäjän tai poistaa käyttäjän.
Pvm ja aika	Asettaa päiväyksen / kellonajan muodon, päivämäärän ja ajan mittarissa.
Kieli	Asettaa mittarin kielen.
Pääsy	Asettaa salasanan estämään pääsyn anturiasetuksiin, tiettyihin mittarin asetuksiin (mittaustila, lämpötila, kieli) ja ohjelmistopäivityksiin. Käyttäjä, jolla ei ole salasanaa, ei voi poistaa asetuksia tai tietoja, kun pääsynvalvonta on päällä.
Vianmääritys	Tekee diagnoositiedoston teknistä tukea tai huoltoa varten, mikäli teknisiä ongelmia ilmenee. Käyttäjän on kytkettävä mittari tietokoneeseen päästäkseen tiedostoon.

Osa 10 Anturin asetukset

Kun anturi on kytketty mittariin, käyttäjä voi muuttaa anturin asetuksia mittauksia, kalibrointeja ja varmennuksia varten. Mittariin liitetyn anturin asetuksiin pääsee seuraavien ohjeiden mukaisesti. Asetusten täydellinen kuvaus on mittarin online-käyttöoppaassa.

Huomautus: Salasanasuojaus saattaa estää joidenkin valikkojen käytön. Lisätietoja suojausasetuksista löytyy online-käyttöoppaasta.


1. Paina painiketta  ja valitse Asetukset. Asetusluettelo tulee näkyviin.
2. Valitse anturin nimi.
3. Valitse haluamasi vaihtoehto: Mittaus, Kalibrointi tai Varmennus.

Osa 11 Tietojen hallinta

Mittari tallentaa tiedot näytteiden mittauksista, kalibroinneista ja verifioinneista seuraavasti:

- Näytemittaukset – Mittari tallentaa mitatut näytteen tiedot automaattisesti, kun mittaustila on Lue painamalla tai Intervalli. Kun mittaustilana on Jatkuva, käyttäjän on valittava Tallenna, jotta mitatut näytetiedot tallentuvat. Aloitusnäytöllä näkyy tallennuskuvake, kun mitatut näytetiedot ovat datalokissa.
- Kalibrointitiedot – Käyttäjän on valittava Tallenna, jotta kalibrointitiedot tallentuvat. Kalibrointitiedot tallennetaan mittariin ja Intellical-anturiin.
- Varmennustiedot – Käyttäjän on valittava Tallenna, jotta varmennustiedot tallentuvat.

Voit tarkastella, viedä tai poistaa tietoja suorittamalla seuraavat vaiheet.

1. Paina painiketta  ja valitse Tiedot tai valitse aloitusnäytöstä kohta Tiedot.
2. Valitse vaihtoehto.

Vaihtoehto	Kuvaus
Tietojen tarkasteleminen	<p>Näyttää datalokissa olevat tiedot. Uusimmat tiedot näkyvät ensin. Näytä lisää tietoja painamalla alanuolta. Kalibrointikuvake näkyy, kun tietotyyppinä on kalibrointitiedot. Varmennuskuvake näkyy, kun tietotyyppinä on varmennustiedot.</p> <p>Nähdäksesi lisätietoja jostakin datapisteestä, valitse tietorivi ja paina oikeaa nuolipainiketta. Jos haluat käyttää suodatinta ja näyttää vain suodatetut tiedot, paina vasenta nuolipainiketta ja valitse parametri, tietotyyppi tai päivämääräväli.</p>
Tietojen vieni	<p>Lähetää kopion kaikista datalokissa olevista tiedoista liitettyyn tietokoneeseen tai USB-muistilaitteeseen. Lisätietoja laitteen liittämistä tietokoneeseen löytyy kohdasta Kuva 4 sivulla 219. Voit liittää laitteen tavalliseen USB-muistilaitteeseen MicroUSB–USB-A-sovittimella. Vaihtoehtoisesti voit käyttää USB-muistilaitetta, jossa on Micro-USB-liitäntä.</p> <p>Kun laite muodostaa yhteyden tietokoneeseen, näyttöön avautuu HQ-Series-laitteeseen resurssienhallintaikkuna. Laajenna asema ja etsi alikansio, jossa on mittarin nimi ja sarjanumero. Datatiedosto näkyy .csv-tiedostona, jonka nimenä on päivämäärä ja kellonaika. Tallenna .csv-tiedosto tietokoneeseen.</p> <p>Huomautus: Jos resurssienhallintaikkuna ei avaudu automaattisesti, avaa resurssienhallintaikkuna ja etsi asema, jonka nimi on HQ-Series.</p>
Kalibrointihistoria	<p>Näyttää kytketyn anturin nykyiset ja aiemmat kalibrointitiedot.</p>
Tietojen poistaminen	<p>Poistaa kaikki tiedot datalokista. Tietojen poistaminen saattaa olla suojattu salasanalla.</p>

Osa 12 Huoltaminen

▲ VAROTOIMI



Useita vaaroja. Vain ammattitaitoinen henkilö saa suorittaa käyttöohjeen tässä osassa kuvatut tehtävät.

12.1 Laitteen puhdistaminen

Puhdista laitteen ulkopinta kostealla liinalla ja laimealla saippualliuoksella ja pyyhi se sitten kuivaksi.

12.2 Akun vaihtaminen

Vaihda akku, kun akku ei lataudu tai se ei pidä latausta. Käytä vain valmistajan toimittamaa akkua ja akkulatoria. Katso [Akun asentaminen](#) sivulla 217.



12.3 Lähetyksen valmistelu

Laite sisältää litiumioniakun, joka on luokiteltu vaaralliseksi aineeksi. Sen kaikenlaisissa kuljetuksissa on noudatettava vaarallisia aineita koskevia säädöksiä. Lähetä laite korjattavaksi tai huollettavaksi seuraavien ohjeiden mukaisesti:

- Irrota anturit ennen lähettämistä.
- Puhdista ja desinfioi laite ennen lähettämistä.
- Turvallisin tapa on poistaa litiumioniakku laitteesta ja olla lähettämättä akkua. Jos akku on lähetettävä, säilytä se akkukotelossa, mutta älä kiinnitä akkukotelo laitteeseen. Aseta akkukotelo ja siihen asennettu akku erilliseen pakkaukseen, jotta ne eivät joudu kosketuksiin sähköä johtavien materiaalien (esimerkiksi metallien) kanssa.
- Lähetä laite alkuperäisessä pakkauksessaan tai muussa turallisessa pakkauksessa.

Osa 13 Vianmääritys

13.1 Näytön vianmääritysohjeiden käyttäminen

Käyttöliittymä tarjoaa vianmääritysohjeita, joiden avulla voidaan korjata mittaustulosten, kalibrointien ja varmennusten aikana mahdollisesti ilmeneviä ongelmia. Mikäli ilmenee ongelma, näytössä näkyy virhekuva  tai varoituskuvake  ja ongelman lyhyt kuvaus. Katso suositellut toimenpiteet ongelman korjaamiseksi painamalla oikeaa nuolipainiketta.

Osa 14 Varaosat

▲ VAROITUS



Henkilövahinkojen vaara. Hyväksymättömien osien käyttö voi aiheuttaa henkilövahingon tai laitteen toimintahäiriön tai vaurioittaa laitetta. Tässä osassa esitellyt varaosat ovat valmistajan hyväksymiä.

Huomautus: Tuote- ja artikkelinumeroit voivat vaihdella joillain markkina-alueilla. Ota yhteys asianmukaiseen jälleenmyyjään tai hae yhteystiedot yhtiön Internet-sivustolta.

Varaosat

Kuvaus	Osanumero
Akku, litiumioni, 18650, 3 200 mAh, englanti	LEZ015.99.00001
Akku, litiumioni, 18650, 3 100 mAh, kiina	LEZ015.80.00001
Kaapeli, USB 2.0 -liitin, tyyppi A – Micro-liitin, tyyppi B, 0,91 m (3 jalkaa)	LEZ015.99.00002

Varaosat (jatk.)

Kuvaus	Osanumero
Kenttälaukku tavallisille antureille	LEZ015.99.A001A
Kenttälaukku kestäville antureille	LEZ015.99.A002A
Rannehahna ja pölytulpat	LEZ015.99.A005A
Tukijalka ja hihna	LEZ015.99.A003A
Suojakäsine	LEZ015.99.A004A
USB-virtasovitin, 5 VDC, 2 A, 100–240 VAC, Yhdysvallat	LEZ015.99.00006
USB-VIRTASOVITIN, 5 VDC, 2 A, 100–240 VAC, EU + UK	LEZ015.99.00004
USB-virtasovitin, 5 VDC, 2 A, 100–240 VAC, Kiina	LEZ015.99.00005
USB-virtasovitin, 5 VDC, 2 A, 100–240 VAC, muu maailma	LEZ015.99.00007

Innholdsfortegnelse

- 1 Elektronisk brukerhåndbok på side 231
- 2 Produktoversikt på side 231
- 3 Spesifikasjoner på side 232
- 4 Generell informasjon på side 233
- 5 Installasjon på side 235
- 6 Oppstart på side 240
- 7 Brukergrensesnitt og navigering på side 241
- 8 Drift på side 244
- 9 Målerinnstillinger på side 246
- 10 Sensorinnstillinger på side 247
- 11 Dataadministrering på side 247
- 12 Vedlikehold på side 248
- 13 Feilsøking på side 248
- 14 Reservedeler på side 248

Avsnitt 1 Elektronisk brukerhåndbok

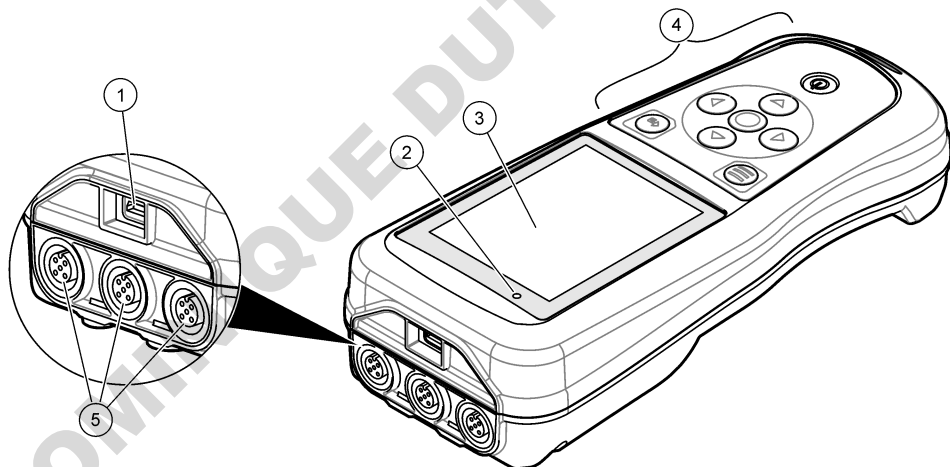
Denne grunnleggende brukerhåndboken inneholder mindre informasjon enn brukerhåndboken, som er tilgjengelig på produsentens nettsted.

Avsnitt 2 Produktoversikt

De bærbare målerne i HQ-serien brukes med digitale Intellical-sensorer for å måle én eller flere vannkvalitetsparametere. Se [Figur 1](#). Måleren gjenkjenner automatisk den tilkoblede sensortypen. Måleren kan kobles til en PC eller en USB-lagringsenhet for å overføre data som er lagret i måleren. Hach Communication Dongle (HCD) (ekstrautstyr) kobler måleren til Claros.

De bærbare målerne i HQ-serien er tilgjengelige i åtte modeller. [Tabell 1](#) viser sensortypene som kan kobles til hver modell.

Figur 1 Produktoversikt



1 Mikro-USB-kobling	4 Tastatur
2 LED-indikator	5 Intellical-sensorinn ganger (alternativ med tre sensorinn ganger er vist)
3 Skjerm	

Tabell 1 Målermodeller i HQ-serien

Målermodell	Sensortilkoblinger	pH/mV/ORP ¹ sensorer	LDO/LBOD ² sensorer	Konduktivitet ³ sensorer	ISE ⁴ sensorer
HQ1110	1	✓			
HQ1130	1		✓		
HQ1140	1			✓	
HQ2100	1	✓	✓	✓	
HQ2200	2	✓	✓	✓	
HQ4100	1	✓	✓	✓	✓
HQ4200	2	✓	✓	✓	✓
HQ4300	3	✓	✓	✓	✓

Avsnitt 3 Spesifikasjoner

Spesifikasjoner kan endres uten varsel.

Spesifikasjon	Detaljer
Dimensjoner (L x B x H)	22 x 9,7 x 6,3 cm (8,7 x 3,8 x 2,5 tomme)
Vekt	HQ1110, HQ1130, HQ1140 og HQ2100: 519 g (18,3 oz); HQ2200: 541 g (19,1 oz); HQ4100: 530 g (18,7 oz); HQ4200: 550 g (19,4 oz); HQ4300: 570 g (20,1 oz)
Kapslingsklassifisering	IP67 med batterirom installert
Strømkrav (internt)	Oppladbart litiumion-batteri 18650 (diameter på 18 mm x lengde på 65 mm, sylindrisk), 3,7 VDC, 3200 mAh; Batterilevetid: > 1 uke med typisk bruk (10 avlesninger/dag, 5 dager/uke i Kontinuerlig- eller Trykk for å lese av-modus, eller > 24 timer i Intervall-modus med 5 minutters intervaller og avstengningstimer ≤ 15 minutter)
Strømkrav (eksternt)	Klasse II, USB-strømadapter: 100–240 VAC, 50/60 Hz, inngang; 5 VDC ved 2 A USB-strømadapter, utgang
Målerbeskyttelsesklasse	IEC-klasse III (SELV-drevet (Separated/Safety Extra-Low Voltage, separert/sikkerhetsbasert ekstra lav spenning)); USB-strømadapter er IEC-klasse II (dobbeltisolert)
Driftstemperatur	0 til 60 °C (32 til 140 °F)
Ladetemperatur	10 til 40 °C (50 til 104 °F)
Luffuktighet ved drift	90 % (ikke-kondenserende)
Oppbevaringstemperatur	–20 til 60 °C (–4 til 140 °F), maks 90 % relativ luffuktighet (ikke-kondenserende)
Sensorkontakt	5-pinnere M12-kobling for Intellical-sensorer
Mikro-USB-kobling	Mikro-USB-koblingen muliggjør tilkobling til en USB-kabel og en USB-strømadapter.
Datalogg (intern)	HQ1000-serien: 5000 datapunkter; HQ2000-serien: 10 000 datapunkter; HQ4000-serien: 100 000 datapunkter

¹ pH/mV/ORP-sensorer inkludert temperatur

² LDO/LBOD-sensorer inkludert temperatur

³ Sensorer inkludert salinitets-, TDS- (totalmengde oppløste faste stoffer), resistivitets- og temperatur

⁴ Ionsелеktive sensorer som ammoniakk-, nitrat-, klorid-, fluor- og natrium

Spesifikasjon	Detaljer
Datalagring	Automatisk lagring i Trykk for lese av- og Intervall-modus. Manuell lagring i Kontinuerlig-modus.
Dataeksport	USB-tilkobling til PC eller USB-lagringseenhet (begrenset til lagringseenhetens kapasitet)
Temperaturkorrigering	Av, automatisk og manuell (parameterspesifikk)
Sertifiseringer	CE-, UKCA-, FCC-, ISED-, RCM-, KC-, ETL-verifisert: US DOE-/NRCan-energieffektivitet, RoHS
Garanti	HQ1000- og HQ2000-serien: 1 år (USA), 2 år (EU); HQ4000-serien: 3 år (USA), 3 år (EU)

Avsnitt 4 Generell informasjon

Produsenten er under ingen omstendigheter ansvarlig for skader som følge av feil bruk av produktet eller manglende overholdelse av instruksjonene i håndboken. Produsenten forbeholder seg retten til å gjøre endringer i denne håndboken og på produktene den beskriver, når som helst, uten varsel eller forpliktelse. Du finner reviderte utgaver på produsentens nettsted.

4.1 Sikkerhetsinformasjon

Produsenten er ikke ansvarlig for eventuelle skader forårsaket av feil bruk eller misbruk av dette produktet, inkludert, uten begrensning, direkte, indirekte og følgemessige skader, og frasier seg ansvar for slike skader i den fulle utstrekningen det er tillatt under gjeldende lover. Brukeren er eneansvarlig for å identifisere kritiske bruksrisikoer og innføre egnede mekanismer for å beskytte prosesser under mulig feilfunksjon av utstyret.

Les hele denne håndboken før du pakker ut, setter opp eller bruker dette utstyret. Vær oppmerksom på alle fare- og forsiktighetsutsagn. Manglende overholdelse av dette kan føre til alvorlig personskade på brukeren eller skade på utstyret.

Forsikre deg om at beskyttelsen som dette utstyret gir, ikke er svekket. Ikke bruk eller installer dette utstyret på noen annen måte enn det som er spesifisert i denne håndboken.

4.2 Bruk av fareinformasjon

▲ Fare

Indikerer en potensielt eller overhengende farlig situasjon som vil føre til død eller alvorlig personskade hvis den ikke unngås.

▲ Advarsel

Indikerer en potensielt eller overhengende farlig situasjon som kan føre til død eller alvorlig personskade hvis den ikke unngås.

▲ Forsiktig

Indikerer en potensielt farlig situasjon som kan føre til mindre eller moderate personskader.

Notice

Indikerer en situasjon som kan forårsake skade på instrumentet hvis den ikke unngås. Informasjon som krever spesiell understreking.

4.3 Advarselsetiketter

Les alle etikettene og merkene som er festet til instrumentet. Personskade eller skade på instrumentet kan oppstå hvis de ikke tas hensyn til. Et symbol på instrumentet refereres til i håndboken med en advarsel.

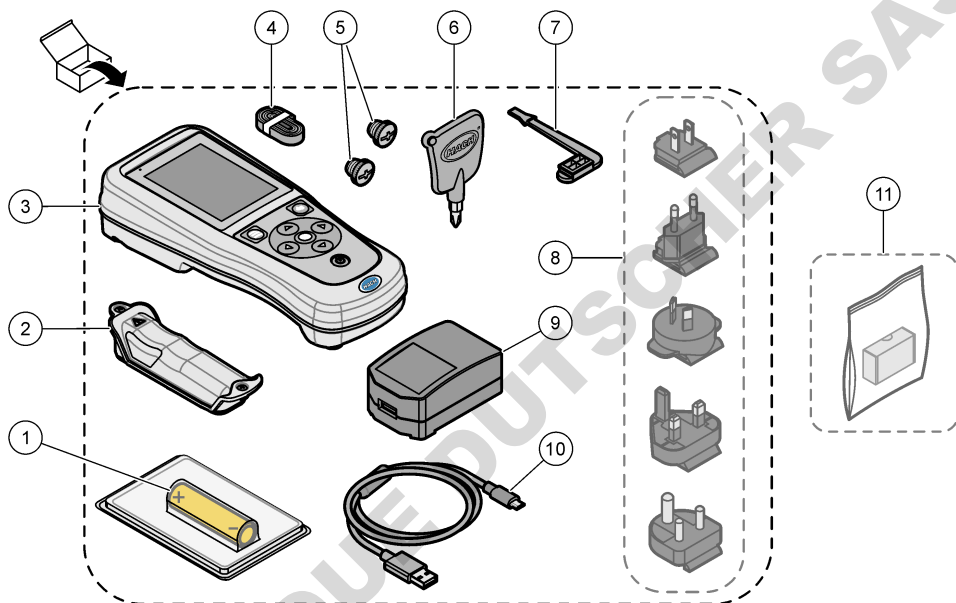


Elektrisk utstyr merket med dette symbolet kan ikke kasseres i offentlige avfallshåndteringssystemer i Europa. Returner gammelt eller utelatt utstyr til produsenten for bortskaffelse uten kostnad for brukeren.

4.4 Produktkomponenter

Forsikre deg om at alle komponentene er mottatt. Se [Figur 2](#). Hvis noen artikler mangler eller er skadet, må du umiddelbart kontakte produsenten eller en salgsrepresentant.

Figur 2 Produktkomponenter



1	Oppladbart litium-ion-batteri	7	USB-portplugg
2	Batterirom	8	Strømplugger (ekstrastyr)
3	Måler	9	USB-strømadapter
4	Håndsnor	10	USB-kabel, type A til mikro, 1 m (3,3 fot)
5	Sensortilkoblingsplugger	11	Hach Communication Dongle (HCD) (ekstrastyr)
6	Skrutrekker (nr. 1, stjernetypen)		

4.5 Sertifisering

Kanadisk forskrift for utstyr som forårsaker radiointerferens, ICES-003, klasse B:

Støttende testoppføringer finnes hos produsenten.

Dette digitale apparatet i klasse B oppfyller alle krav i de kanadiske forskriftene for utstyr som forårsaker radiointerferens.

Cet appareil numérique de classe B répond à toutes les exigences de la réglementation canadienne sur les équipements provoquant des interférences.

FCC-del 15, klasse "B"-grenser

Støttende testoppføringer finnes hos produsenten. Enheten overholder del 15 av FCC-reglene. Drift er underlagt følgende betingelser:

1. Utstyret kan ikke forårsake skadelig interferens.
2. Utstyret må godta all mottatt interferens, inkludert interferens som kan forårsake uønsket virkemåte.


Endringer eller modifiseringer av dette utstyret som ikke er uttrykkelig godkjent av den ansvarlige parten for samsvar, kan ugyldiggjøre brukerens rett til å bruke utstyret. Dette utstyret er testet og overholder grensene for en digital enhet i klasse B, i henhold til del 15 av FCC-reglene. Disse grensene er utformet for å gi rimelig beskyttelse mot skadelig interferens når utstyret brukes i et kommersielt miljø. Enheten genererer, bruker og kan avgir radiofrekvensenergi. Hvis den ikke installeres og brukes i samsvar med bruksinstruksjonshåndboken, kan den forårsake skadelig interferens for radiokommunikasjon. Bruk av dette utstyret i et boligområde vil sannsynligvis forårsake skadelig interferens. I slike tilfeller vil det bli påkrevd at brukeren korrigerer interferensen på egen bekostning. Følgende teknikker kan brukes for å redusere interferensproblemer:

1. Flytt utstyret bort fra enheten som mottar interferens.
2. Reposisjonering mottaksantennen for enheten som mottar interferens.
3. Prøv kombinasjoner av det ovenstående.

4.6 Hach Communication Dongle (ekstrautstyr)


Hach Communication Dongle (HCD) (ekstrautstyr) bruker Bluetooth®⁵ Lav energi for å kommunisere med Claros. Følg alle produsentveiledninger og -advarsler for installasjon og betjening av enheten. Se dokumentasjonen som leveres med HCD.

4.7 Tiltent bruk



⚠ Forsiktig	
	Risiko for kjemisk eksponering. Følg prosedyrene for laboratoriesikkerhet, og bruk alltid alt personlig verneutstyr som er relevant for kjemikaliene som håndteres. Sikkerhetsprotokoller finnes i de gjeldende sikkerhetsdatabladene (MSDS/SDS).

De bærbare målerne i HQ-serien er beregnet på bruk av personer som måler vannkvalitetsparametere på laboratoriet eller i felten. Målerne i HQ-serien behandler ikke og endrer ikke vann.

Avsnitt 5 Installasjon

⚠ Fare	
	Flere farer. Bare kvalifisert personell må utføre oppgavene som beskrives i denne delen av dokumentet.

5.1 Litium-batteriets sikkerhet

⚠ Advarsel	
 	Brann- og eksplosjonsfare. Litium-batterier kan bli varme, eksplodere eller antennes og forårsake alvorlig personskade hvis de utsettes for betingelser med feil håndtering.

- Ikke bruk batteriet hvis det har synlige skader.

⁵ Bluetooth®-ordmerket og -logoene er registrerte varemerker som eies av Bluetooth SIG, Inc., og all bruk av slike merker av HACH er under lisens.

- Ikke bruk batteriet etter sterke støt eller vibrasjoner.
- Ikke utsett batteriet for ild eller antennelse.
- Hold batteriet ved temperaturer som er lavere enn 70 °C (158 °F).
- Hold batteriet tørt og unna vann.
- Forhindre kontakt mellom de positive og negative batteripolene.
- Ikke la uvedkommende ta på batteriet.
- Kasser batteriet i samsvar med lokale, regionale og nasjonale forskrifter.
- Ikke bruk og ikke oppbevar instrumentet i direkte sollys, i nærheten av en varmekilde eller i miljøer med høy temperatur, for eksempel et lukket kjøretøy i direkte sollys.

5.2 Installere batteriet

⚠ Advarsel



Brann- og eksplosjonsfare. Dette utstyret inneholder et litiumbatteri med høy energi, som kan antennes og forårsake brann eller eksplosjon selv uten strøm. For å opprettholde sikkerheten instrumenthuset gir, må instrumenthusdekslene være montert og sikret med maskinvaren som følger med.

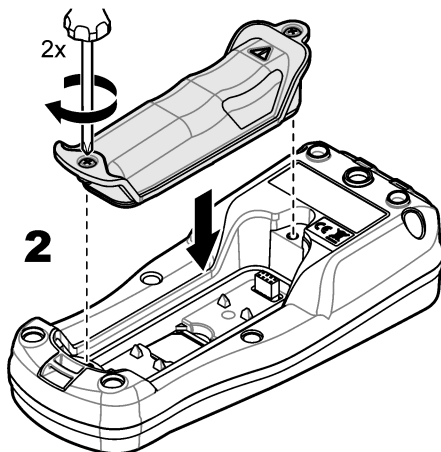
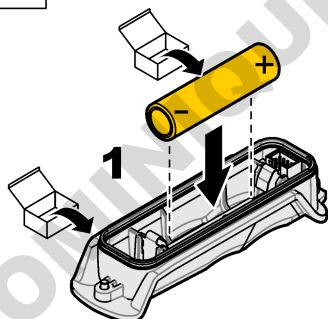
⚠ Advarsel



Eksplosjons- og brannfare. Det er ikke tillatt å bytte batteritype. Bruk bare batterier som leveres av instrumentprodusenten.

Bruk bare det oppladbare litium-ion-batteriet som leveres av produsenten. Se [Figur 3](#) for batteriinstallasjon eller -fjerning.

Figur 3 Batteriinstallasjon og -fjerning



5.3 Lade batteriet

⚠ Fare



Fare for dødelig støt. Hvis dette utstyret brukes utendørs eller på potensielt våte steder, må det brukes en jordfeilbryter (GFCI/GFI) til å koble utstyret til hovedstrømkilden.

⚠ Advarsel



Brannfare. Bruk bare den eksterne strømforsyningen som er spesifisert for dette instrumentet.

⚠ Advarsel



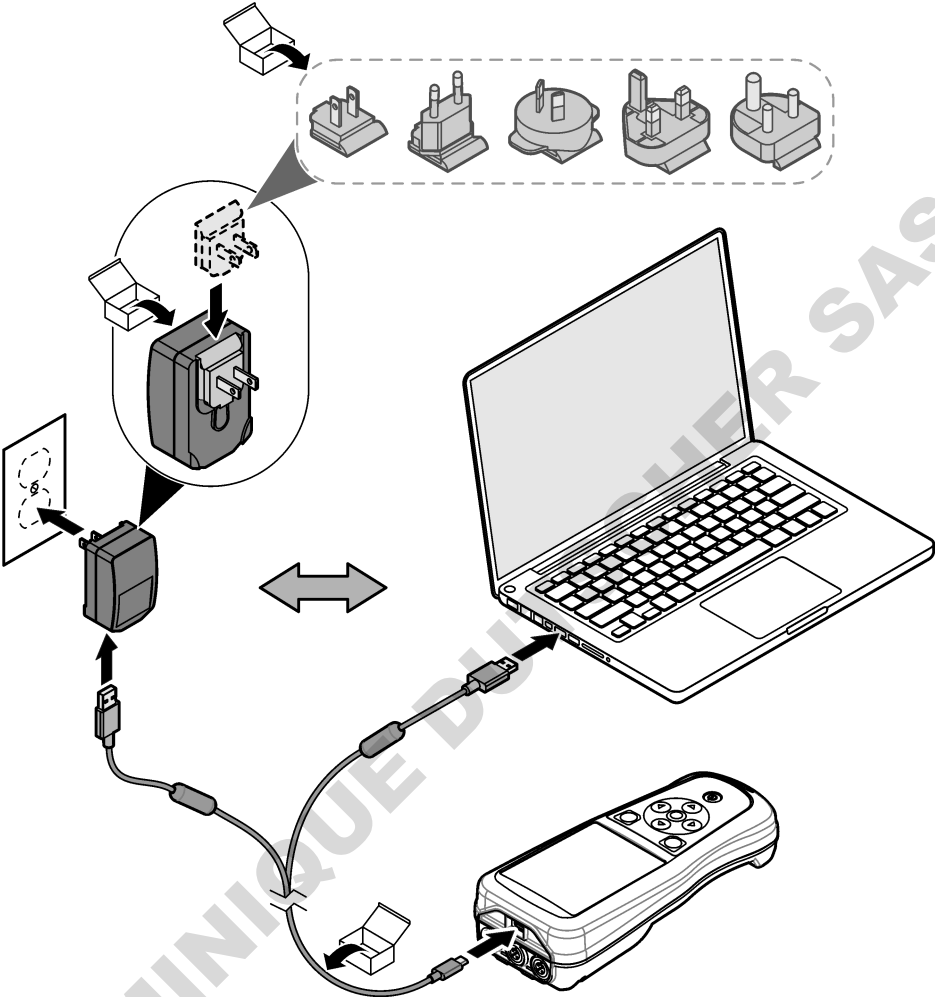
Elektrisk støtfare. Eksternt tilkoblet utstyr må ha en relevant nasjonal sikkerhetsstandardvurdering.

Notice

Installer alltid USB-portpluggen når porten ikke er i bruk, for å holde porten ren og unngå korrosjon. Ikke lad batteriet hvis USB-porten er våt, skitten eller korrodert. Se [Installere USB- og probeportpluggene](#) på side 239.

Bruk USB-kabelen og USB-strømadapteren som følger med, eller en PC, for å lade batteriet. Se [Figur 4](#). Når instrumentet er tilkoblet en strømforsyning og av/på-knappen trykkes inn, lyser den grønne LED-indikatoren. Brukeren kan betjene instrumentet mens batteriet lader. Et flatt batteri lades helt opp på ca. 5 timer når USB-strømadapteren brukes og instrumentet er slått av. Sørg for å installere USB-portpluggen når USB-porten ikke er i bruk. Se [Installere USB- og probeportpluggene](#) på side 239.

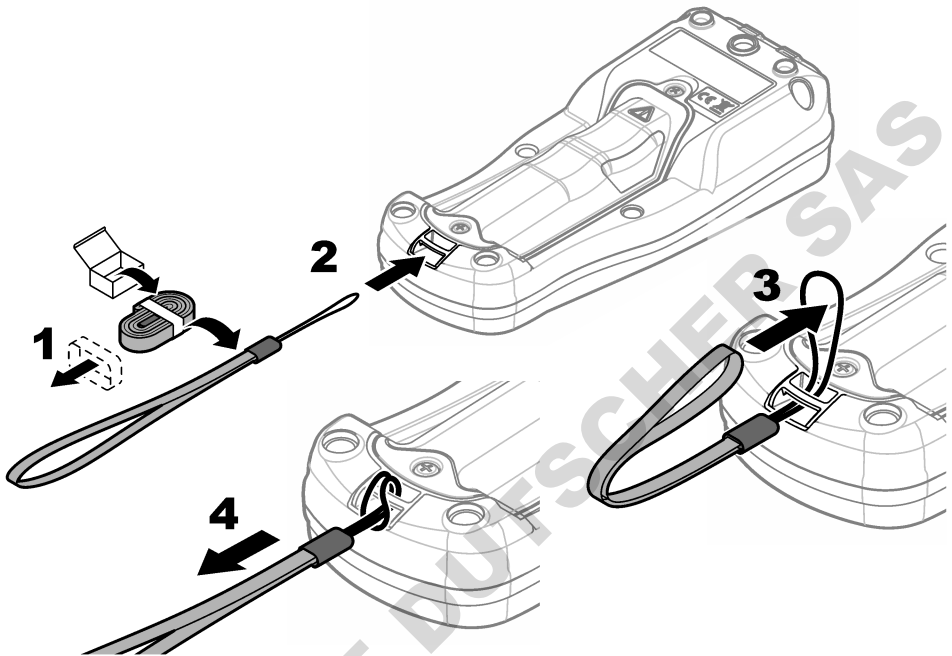
Figur 4 Koble til USB-strømadapteren eller en PC



5.4 Installer snoren

Installer snoren for å holde måleren sikkert på plass. Se [Figur 5](#).

Figur 5 Installasjon av snor

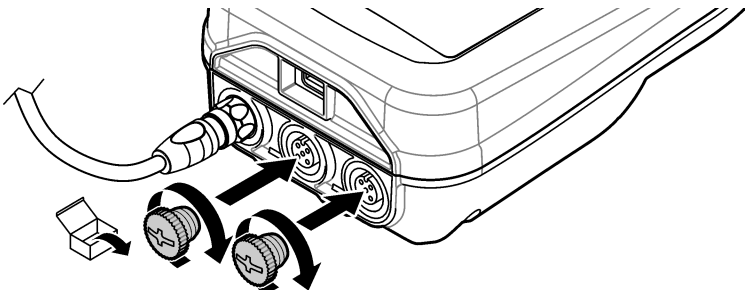


5.5 Installere USB- og probeportpluggene

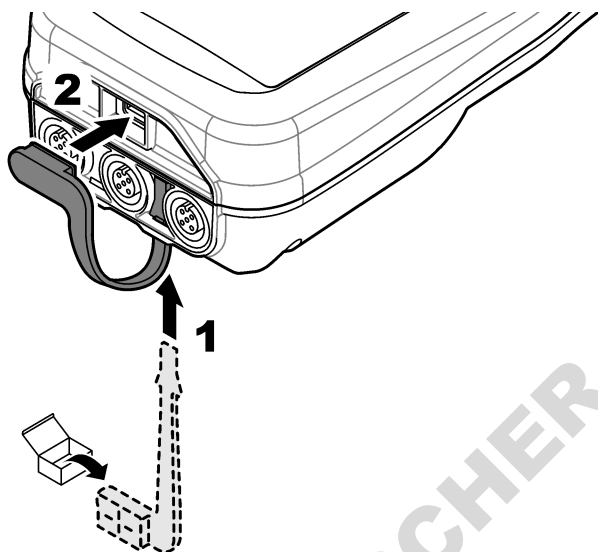
Sørg for å installere portpluggene i USB- og sensorporten(e) når portene ikke er i bruk, for å holde portene rene og unngå korrosjon. Portpluggene må installeres i de tomme portene for å overholde kabinettklassifiseringen for instrumentet. Se [Figur 6](#) og [Figur 7](#).

Merk [Figur 6](#) shows a meter with three probe ports. Noen målermodeller har bare én eller to probeporter.

Figur 6 Installasjon av portplugg




Figur 7 Installasjon av USB-portplugg



Avsnitt 6 Oppstart

6.1 Start måleren

Trykk på  for å starte måleren. Hvis måleren ikke starter, må du forsikre deg om at batteriet er installert riktig, eller at måleren er koblet til en strømkilde. Se [Lade batteriet](#) på side 237.

6.2 Velg språket

Når måleren slås på for første gang eller når et nytt batteri er installert, viser skjermen Språkvalg-skjermbildet. Velg gjeldende språk. Brukeren kan også endre språket fra Innstillinger-menyen.

6.3 Angi dato og klokkeslett

Når måleren slås på for første gang eller når et nytt batteri er installert, viser skjermen Dato-Klokkeslett-skjermbildet. Utfør de følgende trinnene for å angi dato og klokkeslett.

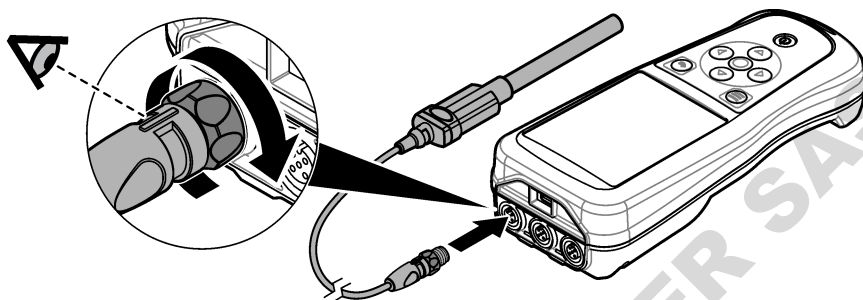
Merk Brukeren kan også endre dato og klokkeslett fra Innstillinger-menyen.

1. Trykk på pil opp- og pil ned-tasten for å velge datoformat.
2. Trykk på høyre pil for å gå til dato og klokkeslett.
3. Trykk på pil opp- og pil ned-tasten for å endre dato og klokkeslett.
4. Trykk på høyre pil for å utheve Lagre.
5. Velg Lagre for å beholde innstillingene.

6.4 Koble til en sensor

Sørg for å angi klokkeslett og dato i måleren før en sensor kobles til. Tidsstempelen for en sensor angis første gang når sensoren kobles til måleren. Tidsstempelen registrerer automatisk sensorhistorikken og tidspunktet for målinger. Se [Figur 8](#) for å koble en sensor til måleren.

Figur 8 Koble en sensor til måleren



Avsnitt 7 Brukergrensesnitt og navigering

Etter oppstart viser skjermen startskjermbildet. Se [Startskjermbilde](#) på side 241. Bruk tastaturet til å velge tilgjengelige alternativer og til å endre verdier. Se [Tastatur](#) på side 243. Bruk hovedmenyen til å gå til innstillinger og andre menyer. Se [Hovedmeny](#) på side 244.

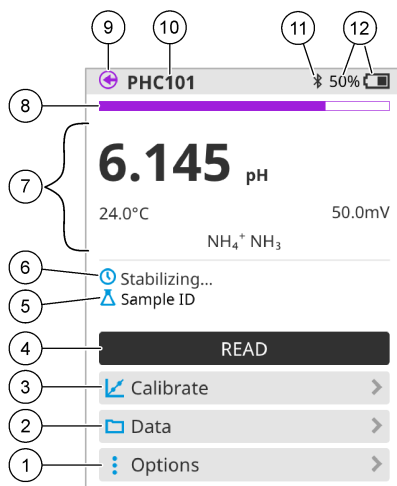
7.1 Startskjermbilde

Skjermen viser startskjermbildet når måleren er slått på og en sensor er koblet til måleren. Se [Figur 9](#). Modellene HQ4100, HQ4200, HQ4300 har en fargeskjerm. For modeller med to eller tre sensorporter viser skjermen alle de tilkoblede sensorene. Se [Figur 10](#).

De følgende oppgavene er tilgjengelige fra startskjermbildet:

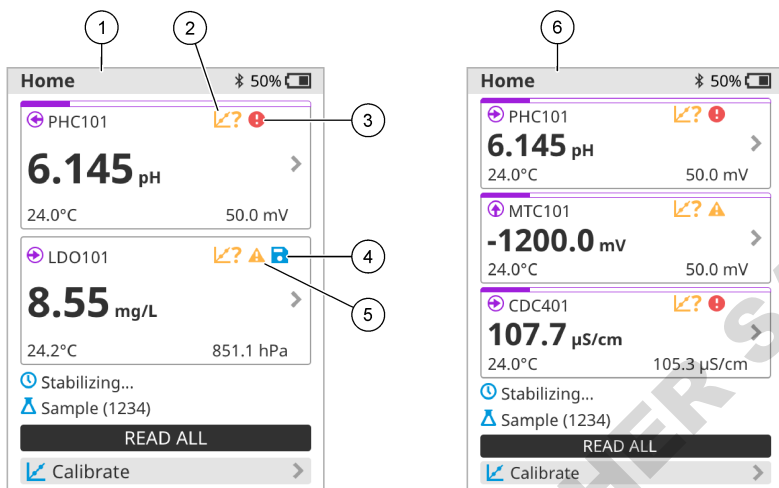
- Mål prøver
- Kalibrer en sensor
- Verifiser en kalibrering
- Angi prøve-ID-er (identifikasjon)
- Vis og administrer data
- Les trinnvise instruksjoner

Figur 9 Eksempel på startskjerm bilde – Én sensor



1 Alternativer-menyen: gir tilgang til instruksjoner og andre menyer	7 Måleverdi-del: viser målt verdi, temperatur og enheter
2 Data-menyen: gir tilgang til visning og administrering av data	8 Statusindikator for målestabilitet: viser målingens status
3 Kalibrer-knappen: starter en kalibrering	9 Intellical-sensorport: viser portplasseringen for den tilkoblede sensoren
4 Mål-knappen: leser av prøve- eller standardløsningsverdi	10 Intellical-sensornavn: viser modellnavnet for den tilkoblede sensoren
5 Prøve-ID: viser navnet på prøven som måles	11 Bluetooth®-ikon (hvis Hach Communication Dongle er installert): viser når en Bluetooth-tilkobling er aktiv
6 Meldingsområde: viser målestatus, prøve-ID, feil og advarsler	12 Indikator for batterilading: viser prosentandelen av batteriladingen

Figur 10 Eksempel på startskjermbilde – To eller tre sensorer

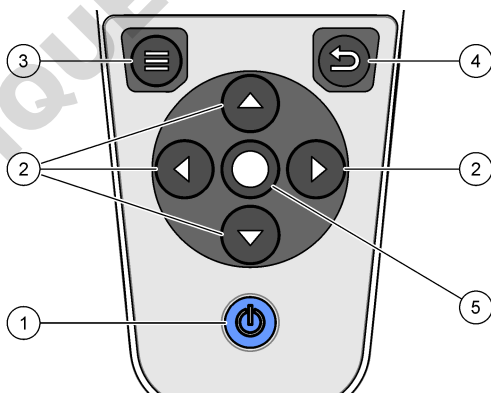


1 Startskjermbilde med to sensorer	4 Lagre-ikon: måledataene finnes i dataloggen
2 Kalibrering-ikon: indikerer at kalibreringen ikke ble god tatt, eller at den har utløpt	5 Advarsel-ikon (se Feilsøking på side 248)
3 Feil-ikon (se Feilsøking på side 248)	6 Startskjermbilde med tre sensorer

7.2 Tastatur


Se [Figur 11](#) for en beskrivelse av tastaturet.

Figur 11 Beskrivelse av tastaturet

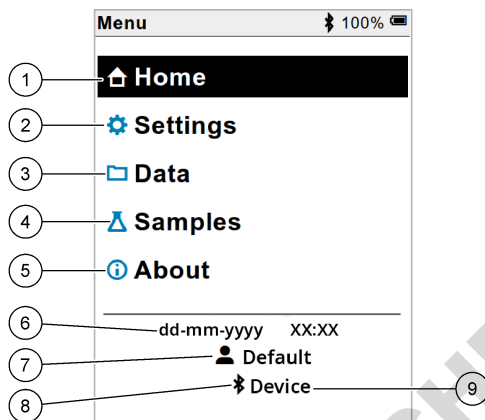


1 På/av-tasten	4 Tilbake-tasten
2 Navigeringspiler	5 Velg-tasten
3 Meny-tasten	

7.3 Hovedmeny

Trykk på  for å gå til hovedmenyen. Se [Figur 12](#).

Figur 12 Beskrivelse av Hovedmeny



1 Startside-skjerm bilde	4 Prøve-ID-menyen	7 Bruker-ID
2 Innstillinger-menyen	5 Om målerskjerm bildet	8 Bluetooth®-ikon (hvis HCD er installert)
3 Data-menyen	6 Dato og klokkeslett	9 Bluetooth®-enhets-ID (hvis HCD er installert)

Avsnitt 8 Drift

Dette avsnittet inneholder generelle driftsinstruksjoner for måleren. Hvis du vil ha mer fullstendige instruksjoner, kan du se instruksjonene på skjermen i måleren eller i brukerhåndboken for sensoren.

8.1 Måle prøver


De følgende trinnene er generelle trinn for å måle prøver med måleren.

1. Velg målemodusen. Se [Målerinnstillinger](#) på side 246.
2. Klargjør prøven for måling. Se instruksjonene på skjermen i måleren eller i brukerhåndboken for sensoren.
3. Mål prøven på følgende måte:
 - **Trykk for avlesningsmodus:** Velg Mål (eller Mål alle) for å måle prøveverdien. Måleren lagrer verdien automatisk.
 - **Intervallmodus:** Velg Start (eller Start alle) for å starte målingene. Måleren måler og lagrer prøveverdien automatisk ved de angitte tidsintervallene. Velg Stopp (eller Stopp alle) for å stoppe målingene.
 - **Kontinuerlig modus:** Måleren måler prøveverdien kontinuerlig. Velg Lagre (eller Lagre alle) for å lagre verdien som vises på skjermen.

Etter hver måling viser skjermen resultatet. Lagre-ikonet vises på skjermen hvis resultatet er lagret i dataloggen.

8.2 Kalibrere en sensor

De følgende trinnene er generelle trinn for sensorkalibrering med måleren. Hvis du vil endre kalibreringsinnstillingene, kan du se [Sensorinnstillinger](#) på side 247.

1. Gå til startskjermbildet, og velg  Kalibrer. Hvis mer enn én sensor er tilkoblet, velger du sensoren som skal kalibreres. Skjermen viser løsningen(e) som skal brukes til kalibreringen.
2. Klargjør bufferne eller standardløsningene for kalibrering. Følg instruksjonene på skjermen i måleren eller i brukerhåndboken for sensoren.
3. Velg Mål for å starte kalibreringen. Måleren måler verdien for kalibreringsløsningen. Når målingen er fullført, viser skjermen resultatet.
4. Velg Mål for om aktuelt å måle verdien for andre buffere eller standardløsninger. Velg Lagre for å lagre kalibreringen.


Merk Hvis kalibreringen ikke godtas, følger du feilsøkningsinstruksjonene på skjermen i måleren eller i brukerhåndboken for sensoren.

8.3 Verifiser kalibreringen

De følgende trinnene er generelle trinn for å verifisere en sensorkalibrering med måleren. Hvis du vil endre verifiseringsinnstillingene, kan du se [Sensorinnstillinger](#) på side 247.

1. Gå til startskjermbildet, og velg Alternativer > Kontroller kalibrering. Skjermen viser bufferen eller standardløsningen som skal brukes for verifiseringen.

Merk Hvis mer enn én sensor er tilkoblet, velger du sensoren som skal verifiseres.

2. Klargjør bufferen eller standardløsningen for verifisering. Følg instruksjonene på skjermen i måleren eller i brukerhåndboken for sensoren.
3. Velg Mål for å starte verifiseringen. Måleren måler verdien av verifiseringsløsningen. Når målingen er fullført, viser skjermen resultatet.
4. Hvis verifiseringen er vellykket , velger du Lagre for å lagre resultatet.

Merk Hvis verifiseringen ikke godtas, følger du feilsøkningsinstruksjonene på skjermen i måleren eller i brukerhåndboken for sensoren.

8.4 Inkludere prøve-ID med måldata


Instrumentet kan lagre et prøvenavn (en ID) med de lagrede måldataene. Angi flere prøvenavn i instrumentet, og velg deretter det aktuelle prøvenavnet før prøvene måles. Instrumentet legger til tall for prøver med samme navn, f.eks. "Prøvenavn (2)".

1. Trykk på , og velg Prøver.
2. Velg et alternativ.

Alternativ	Beskrivelse
Prøve	Velger prøvenavnet som skal lagres med prøvemålingene.
Opprett ny prøve	Åpner et skjerm bilde for å legge til nye prøvenavn. Prøvenavn kan inneholde bokstaver og tall.
Slett prøver	Fjerner prøvenavn.

8.5 Inkludere bruker-ID med lagrede data

Instrumentet kan registrere et brukernavn (en ID) med de lagrede dataene. Angi flere brukernavn i instrumentet, og velg deretter det aktuelle brukernavnet før kalibreringer eller målinger startes.


1. Trykk på , og velg Innstillinger. Listen over innstillinger vises.
2. Velg Brukere.
3. Velg et alternativ.

Alternativ	Beskrivelse
Bruker	Velger brukernavnet. Det valgte brukernavnet vises på Hovedmeny-skjermbildet og lagres med de lagrede dataene.
Opprett ny bruker	Åpner et skjerm bilde for å legge til nye brukernavn. Brukernavn kan inneholde bokstaver og tall.
Slett brukere	Fjerner brukernavn.

Avsnitt 9 Målerinnstillinger

Fullfør trinnene som følger for å endre de generelle innstillingene for måleren.

Merk Passordbeskyttelse kan forhindre tilgang til noen menyer. Se online bruksanvisning for informasjon om tilgangskontroll.

1. Trykk på , og velg Innstillinger. Listen over innstillinger vises.
2. Velg et alternativ.


Alternativ	Beskrivelse
[Sensornavn]	Endrer sensorpesifikke innstillinger for måling, kalibrering og verifisering. Se Sensorinnstillinger på side 247 for å endre innstillingene for den tilkoblede sensoren.
Målemodus	Stiller inn når målingene startes. Alternativer: Trykk for å måle, Kontinuerlig eller Intervall. Trykk for å måle: Prøven måles bare når Mål skyves. Data lagres automatisk i dataloggen når stabilitetskriteriene er oppfylt. Intervall: Prøven måles med jevne mellomrom for en spesifikk varighet. Data lagres automatisk i dataloggen. Kontinuerlig: Måleren måler prøveverdien kontinuerlig. Data lagres bare i dataloggen når brukeren velger Lagre.
Temperatur	Setter temperaturenhetene til ° C eller ° F.
Display	Endrer innstillingene for skjermen. Alternativer: Lysstyrke, Bakgrunnsbelysning og Avslutt. Lysstyrke: Endrer intensiteten til bakgrunnsbelysningen. Alternativer: 10 til 100% (standard: 50%). Bakgrunnsbelysning: Slår bakgrunnsbelysningen av når måleren ikke brukes på en innstillbar tid. Alternativer: 15 sekunder, 30 sekunder, 1 minutt, 5 minutter eller Aldri. Avslutt: Slår av måleren når den ikke brukes på en innstillbar tid. Alternativer: 1 minutt, 2 minutter, 5 minutter, 10 minutter, 30 minutter, 1 time, 2 timer eller Aldri.
Lyd	Stiller inn måleren til å lage en lyd under tastetrykk eller varsler. Valg: Tastetrykk, Stabilitetsvarsel, Påminnelse, Feilvarsel/Advarsel eller (batteri) Lading fullført .
Brukere	Velger en bruker, legger til en ny bruker eller sletter en bruker.
Dato og klokkeslett	Angir dato / klokkeslettformat, dato og klokkeslett i måleren.
Språk	Angir målerspråket.

Alternativ	Beskrivelse
Tilgang	Angir et passord for å forhindre tilgang til sensorinnstillingene, noen målerinnstillinger (målemodus, temperatur, språk) og programvareoppdateringer. En bruker uten passord kan ikke slette innstillinger eller data når tilgangskontrollen er på.
Diagnostikk	Lager en diagnosefil for teknisk support eller tjeneste hvis et teknisk problem oppstår. Brukeren må koble måleren til en PC for å få filen.

Avsnitt 10 Sensorinnstillinger

Når en sensor er koblet til måleren, kan brukeren endre sensorinnstillingene for målinger, kalibreringer og verifiseringer. Se de følgende trinnene for tilgang til innstillingene for den tilkoblede sensoren. Hvis du vil se en fullstendig beskrivelse av innstillingene, kan du se den elektroniske brukerhåndboken for måleren.

Merk Passordbeskyttelse kan forhindre tilgang til noen menyer. Se den elektroniske brukerhåndboken for informasjon om sikkerhetsinnstillinger.

1. Trykk på , og velg Innstillinger. Listen over innstillinger vises.
2. Velg sensornavnet.
3. Velg det aktuelle alternativet: Måling, Kalibrering eller Verifisering.

Avsnitt 11 Dataadministrering

Måleren lagrer dataene fra prøvemålinger, -kalibreringer og -verifiseringer på følgende måte:

- Prøvemålinger – Måleren lagrer de målte prøvedataene automatisk når målemodusen er Trykk for å lese av eller Intervall. Når målemodusen er Kontinuerlig, må brukeren velge Lagre for å lagre de målte prøvedataene. Lagre-ikonet vises på startskjermbildet når de målte prøvedataene er i dataloggen.
- Kalibreringsdata – Brukeren må velge Lagre for å lagre kalibreringsdataene. Kalibreringsdataene lagres i måleren og i Intellical-sensoren.
- Verifiseringsdata – Brukeren må velge Lagre for å lagre verifiseringsdataene.


Utfør de følgende trinnene for å vise, eksportere eller slette data.

1. Trykk på , og velg Data, eller velg Data fra startskjermbildet.
2. Velg et alternativ.

Alternativ	Beskrivelse
Vis data	<p>Viser dataene i dataloggen. De nyeste dataene vises først. Trykk på pil ned for å se ytterligere data. Kalibrering-ikonet viser når datatypen er kalibreringsdata. Verifisering-ikonet viser når datatypen er verifiseringsdata.</p> <p>Hvis du vil se flere detaljer for et datapunkt, velger du en datarad og trykker på høyre pil. Hvis du vil bruke et filter og bare vise filtrerte data, trykker du på venstre pil og velger en parameter, datatype eller datoperiode.</p>
Eksporter data	<p>Sender en kopi av alle dataene i dataloggen til en tilkoblet PC eller en USB-lagringsenhet. Hvis du vil koble instrumentet til en PC, kan du se Figur 4 på side 238. Hvis du vil koble instrumentet til en standard USB-lagringsenhet, bruker du en mikro-USB til USB-type A-adapter. Alternativt kan du bruke en USB-lagringsenhet som har en mikro-USB-kobling.</p> <p>Når instrumentet kobles til en PC, åpnes vinduet File Explorer (Filutforsker) til en stasjon med navnet HQ-Series. Utvid stasjonen, og se etter en undermappe med målerens navn og serienummer. Datafilen vises som en .csv-fil med dato og klokkeslett som filnavnet. Lagre .csv-filen til en plassering på PC-en.</p> <p>Merk Hvis vinduet File Explorer (Filutforsker) ikke åpnes automatisk, åpner du vinduet File Explorer (Filutforsker) og ser etter en stasjon med navnet HQ-Series.</p>

Alternativ	Beskrivelse
Kalibreringshistorikk	Viser gjeldende og tidligere kalibreringsdata for en tilkoblet sensor.
Slett data	Sletter alle dataene i dataloggen. Passordbeskyttelse kan forhindre tilgang til alternativet for sletting av data.

Avsnitt 12 Vedlikehold

⚠ Forsiktig	
	Flere farer. Bare kvalifisert personell må utføre oppgavene som beskrives i denne delen av dokumentet.

12.1 Rengjøre instrumentet

Rengjør utsiden av instrumentet med en fuktig klut og en mild såpeløsning, og tørk deretter instrumentet tørt etter behov.

12.2 Skift ut batteriet

Skift ut batteriet når batteriet ikke lades eller ikke holder på lading. Bruk bare batteriet og batteriladeren som leveres av produsenten. Se [Installere batteriet](#) på side 236.

12.3 Klargjøre for forsendelse

Instrumentet inneholder et litium-ion-batteri, som klassifiseres som et farlig materiale og må være i samsvar med forskriftene for farlig gods for alle typer transport. Følg prosedyrene nedenfor for å sende instrumentet for reparasjon eller vedlikehold:

- Koble fra sensorene før forsendelse.
- Rengjør og dekontaminer instrumentet før forsendelse.
- For å oppnå den beste sikkerheten fjerner du litium-ion-batteriet fra enheten og sender ikke batteriet. Hvis batteriet må sendes, holder du batteriet installert i batterikabinettet, men kobler ikke batterikabinettet til instrumentet. Legg batterikabinettet med det installerte batteriet i separat emballasje for å forhindre kontakt med elektrisk ledende materialer (f.eks. metaller).
- Send instrumentet i originalemballasjen, eller send instrumentet i en alternativ beskyttende emballasje.

Avsnitt 13 Feilsøking

13.1 Bruk feilsøkinginstruksjonene på skjermen

Brukergrensesnittet har feilsøkinginstruksjoner som hjelper deg med å rette opp problemer som kan oppstå under målinger, kalibreringer og verifiseringer. Når det oppstår et problem, viser skjermen feil- eller advarsel-ikonet med en kort beskrivelse av problemet. Trykk på høyre pil for å se de anbefalte prosedyrene for å løse problemet.

Avsnitt 14 Reservedeler

⚠ Advarsel	
	Fare for personskade. Bruk av ikke godkjente deler kan forårsake personskade, skade på instrumentet eller feilfunksjon av utstyret. Reservedelene i denne delen er godkjent av produsenten.

Merk Produkt- og artikkelnumre kan variere for noen salgsregioner. Kontakt den aktuelle distributøren eller se selskapets nettsted for kontaktinformasjon.

Reservedeler

Beskrivelse	Artikkelnr.
Batteri, litiumion, 18650, 3200 mAh, engelsk	LEZ015.99.00001
Batteri, litiumion, 18650, 3100 mAh, kinesisk	LEZ015.80.00001
Kabel, USB 2.0-pluggtype A til mikropluggtype B, 0,91 m (3 fot)	LEZ015.99.00002
Feltkasse for standardsensorer	LEZ015.99.A001A
Feltkasse for robuste sensorer	LEZ015.99.A002A
Håndsnor og støvplugg	LEZ015.99.A005A
Støttebein med håndstropp	LEZ015.99.A003A
Beskyttelseshanske	LEZ015.99.A004A
USB-strømadapter, 5 VDC, 2 A, 100–240 VAC, USA	LEZ015.99.00006
USB-strømadapter, 5 VDC, 2 A, 100–240 VAC, EU + Storbritannia	LEZ015.99.00004
USB-strømadapter, 5 VDC, 2 A, 100–240 VAC, Kina	LEZ015.99.00005
USB-strømadapter, 5 VDC, 2 A, 100–240 VAC, resten av verden	LEZ015.99.00007

Съдържание

- | | |
|---|--|
| 1 Онлайн ръководство за потребителя
на страница 250 | 8 Работа на страница 263 |
| 2 Общ преглед на продукта на страница 250 | 9 Настройки на измервателния уред
на страница 265 |
| 3 Спецификации на страница 251 | 10 Настройки на сондата на страница 266 |
| 4 Обща информация на страница 252 | 11 Управление на данните на страница 266 |
| 5 Инсталиране на страница 255 | 12 Поддръжка на страница 267 |
| 6 Включване на страница 259 | 13 Отстраняване на повреди на страница 268 |
| 7 Потребителски интерфейс и навигиране
на страница 260 | 14 Резервни части на страница 268 |

Раздел 1 Онлайн ръководство за потребителя

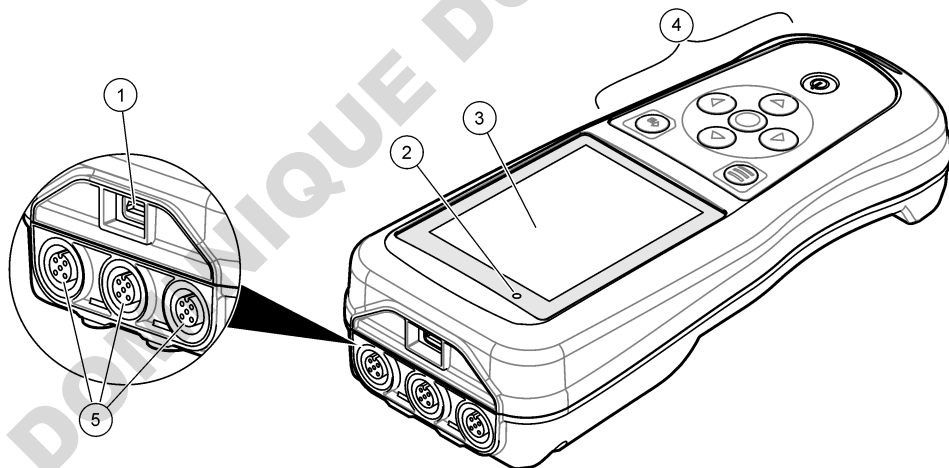
Основното ръководство за потребителя съдържа по-малко информация от ръководството за потребителя, което се намира на уебсайта на производителя.

Раздел 2 Общ преглед на продукта

Преносимите измервателни уреди от серията HQ се използват с цифровите сонди Intellical за измерване на един или повече параметри на качеството на водата. Направете справка с [Фигура 1](#). Измервателният уред разпознава автоматично типа на сондата, която е свързана. Измервателният уред може да се свързва към компютър или към USB устройство за съхранение за прехвърляне на запазените в измервателния уред данни. Опционалният комуникационен донгъл на Nach (HCD) свързва измервателния уред към Claros.

Преносимите измервателни уреди от серията HQ се предлагат в осем модела. [Таблица 1](#) показва типовете сонди, които могат да се свързват към всеки от моделите.

Фигура 1 Общ преглед на продукта



1 Micro-USB конектор	4 Клавиатура
2 Светодиоден индикатор	5 Портове за сонди Intellical (показана е опция с три порта за сонди)
3 Дисплей	

Таблица 1 Модели измервателни уреди от серията HQ

Модел на измервателния уред	Конектори за сонди	pH/mV/ORP ¹	LDO/LBOD ²	Проводимост ³	ISE ⁴
HQ1110	1	✓			
HQ1130	1		✓		
HQ1140	1			✓	
HQ2100	1	✓	✓	✓	
HQ2200	2	✓	✓	✓	
HQ4100	1	✓	✓	✓	✓
HQ4200	2	✓	✓	✓	✓
HQ4300	3	✓	✓	✓	✓

Раздел 3 Спецификации

Спецификациите подлежат на промяна без уведомяване.

Спецификация	Подробности
Размери (Д x Ш x В)	22 x 9,7 x 6,3 cm (8,7 x 3,8 x 2,5 инча)
Тегло	HQ1110, HQ1130, HQ1140 и HQ2100: 519 g (18,3 oz); HQ2200: 541 g (19,1 oz); HQ4100: 530 g (18,7 oz); HQ4200: 550 g (19,4 oz); HQ4300: 570 g (20,1 oz)
Категория на корпуса	IP67 с монтирано батерийно отделение
Изисквания за захранването (вътрешно)	Акумулаторна литиевойонна батерия 18650 (с диаметър 18 mm x дължина 65 mm, цилиндрична), 3,7 VDC, 3200 mAh; Живот на батерията: > 1 седмица при типична употреба (10 отчитания на ден, 5 дни в седмицата в непрекъснат режим или в режим „Натиснете за отчитане“, или > 24 часа в режим с интервали с 5-минутни интервали и таймер за изключване ≤ 15 минути)
Изисквания за захранването (външно)	Клас II, USB захранващ адаптер: 100 – 240 VAC, 50/60 Hz входяща мощност; 5 VDC при 2 A USB захранващ адаптер изходяща мощност
Клас на защита на измервателното устройство	IEC клас III (Захранване SELV (Разделено безопасно свръхниско напрежение); USB захранващият адаптер е с IEC клас II (с двойна изолация)
Работна температура	от 0 до 60°C (от 32 до 140°F)
Температура на зареждане	от 10 до 40°C (от 50 до 104°F)
Работна влажност	90% (без кондензация)
Температура на съхранение	От –20 до 60°C (от –4 до 140°F), максимално 90% относителна влажност (без конденз)
Конектор на сондата	5-изведен конектор M12 за сонди Intellical
Micro-USB конектор	micro-USB конекторът дава възможност за свързване на USB кабел и USB захранващ адаптер.

¹ Сондите pH/mV/ORP включват температурни

² Сондите LDO/LBOD включват температурни

³ Сондите за проводимост включват соли, TDS (общо количество разтворени твърди вещества), съпротивителни, температурни

⁴ Йон-селективни сонди, като сонди за амоняк, нитрат, хлорид, флуорид, натрий

Спецификация	Подробности
Регистър на данните (вътрешен)	Серия HQ1000: 5000 даннови точки; серия HQ2000: 10 000 даннови точки; серия HQ4000: 100 000 даннови точки
Съхраняване на данни	Автоматично съхраняване в режимите „Натиснете за отчитане“ и „Интервал“. Ръчно съхраняване в режим „Непрекъснато“.
Експортиране на данни	USB връзка към компютър или USB устройство за съхранение (с ограничение до капацитета на устройството за съхранение)
Корекция на температурата	Изключено, автоматично и ръчно (специфично за параметъра)
Сертификати	Проверени съгласно CE, UKCA, FCC, ISED, RCM, KC, ETL: САЩ, DOE/NRCap енергийна ефективност, RoHS
Гаранция	За сериите HQ1000 и HQ2000: 1 година (САЩ), 2 години (ЕС); за серия HQ4000: 3 години (САЩ), 3 години (ЕС)

Раздел 4 Обща информация

В никакъв случай производителят няма да бъде отговорен за щети, произлизащи от каквато и да било неправилна употреба на продукта или неспазване на инструкциите в ръководството. Производителят си запазва правото да прави промени в това ръководство и в описаните в него продукти във всеки момент и без предупреждение или поемане на задължения. Коригираните издания можете да намерите на уебсайта на производителя.

4.1 Информация за безопасността

Производителят не носи отговорност за никакви повреди, възникнали в резултат на погрешно приложение или използване на този продукт, включително, без ограничения, преки, случайни или възникнали впоследствие щети, и се отхвърля всяка отговорност към такива щети в пълната позволена степен от действащото законодателство. Потребителят носи пълна отговорност за установяване на критични за приложението рискове и монтаж на подходящите механизми за подсибяване на процесите по време на възможна неизправност на оборудването.

Моля, внимателно прочетете ръководството преди разопаковане, инсталиране и експлоатация на оборудването. Обръщайте внимание на всички твърдения за опасност и предпазливост. Пренебрегването им може да доведе до сериозни наранявания на оператора или повреда на оборудването.

(Уверете се, че защитата, осигурена от това оборудване, не е занижена. Не го използвайте и не го монтирайте по начин, различен от определения в това ръководство.

4.2 Използване на информация за опасностите

▲ ОПАСНОСТ

Указва наличие на потенциална или непосредствена опасна ситуация, която, ако не бъде избегната, ще предизвика смърт или сериозно нараняване.

▲ ПРЕДУПРЕЖДЕНИЕ

Указва потенциално или непосредствено опасна ситуация, която, ако не бъде избегната, може да доведе до смърт или сериозно нараняване.

▲ ВНИМАНИЕ

Указва наличие на потенциално опасна ситуация, която може да предизвика леко или средно нараняване.

Забележка

Показва ситуация, която ако не бъде избегната, може да предизвика повреда на инструмента. Информация, която изисква специално изтъкване.

4.3 Предупредителни надписи

Прочетете всички надписи и етикети, поставени на инструмента. Неспазването им може да доведе до физическо нараняване или повреда на инструмента. Символът върху инструмента е описан в ръководството с препоръка за повишено внимание.

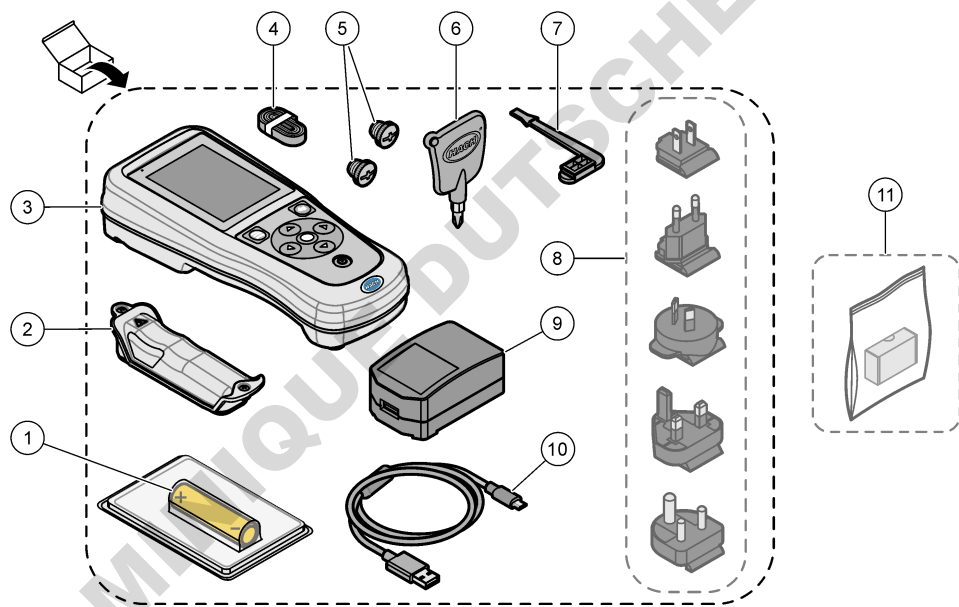


Електрическо оборудване, което е обозначено с този символ, не може да бъде изхвърляно в европейските части или публични системи за изхвърляне на отпадъци. Оборудването, което остаряло или е в края на жизнения си цикъл, трябва да се връща на производителя, без да се начисляват такси върху потребителя.

4.4 Компоненти на продукта

Проверете дали всички компоненти са получени. Направете справка с [Фигура 2](#). Ако някои от тях липсват или са повредени, се свържете незабавно с производителя или с търговския представител.

Фигура 2 Компоненти на продукта



1 Акумулаторна литиево-йонна батерия	7 Тапа за USB порта
2 Отделение за батериите	8 Опционални захранващи щепсели
3 Измервателно устройство	9 USB захранващ адаптер
4 Каишка за носене	10 USB кабел, Type A to micro, 1 m (3,3 ft)
5 Тапи за конекторите за сондите	11 Опционален комуникационен донгъл на Nach (HCD)
6 Отвертка (кръстата, №1)	

4.5 Сертифициране

Канадски регламент за оборудване, предизвикващо радиосмущения, ICES-003, клас A:
Поддържането на тестовите записи е задължение на производителя.

Тази цифрова апаратура от Клас В съответства на всички изисквания на канадските нормативни документи относно оборудването причиняващо смущения.

Cet appareil numérique de classe B répond à toutes les exigences de la réglementation canadienne sur les équipements provoquant des interférences.

ФСС Част 15, Гранични стойности клас „В“

Поддържането на тестовите записи е задължение на производителя. Това устройство съответства на част 15 от наредбите на ФКК. Работата с него представлява предмет на следните условия:

1. Оборудването не може да причинява вредни смущения.
2. Оборудването трябва да приема всички получени смущения, включително такива, които могат да причинят нежелан начин на работа.

Промени или модификации на това оборудване, които не са изрично одобрени от страните, отговорни за неговата съвместимост, могат да доведат до анулиране на правото за експлоатация на оборудването. Оборудването е тествано, като е установена неговата съвместимост с ограниченията за цифрово устройство клас „В“, в съответствие с част 15 от правилника на FCC. Тези ограничения са предназначени да осигурят разумна защита срещу вредни смущения при работа на оборудването, когато това става в търговска среда. Оборудването генерира, използва и може да излъчва радиочестотна енергия, като в случай че не бъде инсталирано и експлоатирано в съответствие с ръководството за употреба, може да предизвика вредни смущения на радио комуникациите. Възможно е работата на това оборудване в жилищни зони да доведе до вредни смущения, при който случай потребителят ще трябва да коригира смущенията за своя сметка. За намаляване на проблемите със смущенията могат да се използват следните техники:

1. Отдалечете оборудването от устройството, което приема смущенията.
2. Променете положението на приемателната антена на устройството, което приема смущенията.
3. Опитайте да приложите комбинация от горните мерки.

4.6 Комуникационен донгъл на Nach (опционално)

Опционалният комуникационен донгъл на Nach (HCD) използва Bluetooth^{®5} Слаба енергия за комуникация с Claros. При инсталирането и работата с устройството следвайте всички указания и предупреждения на производителя. Направете справка с документацията, която е предоставена с HCD.

4.7 Предназначение

▲ ВНИМАНИЕ



Опасност от химическа експозиция. Спазвайте лабораторните процедури за безопасност и носете пълното необходимо лично предпазно оборудване при боравене със съответните химически вещества. За информация относно протоколите по безопасност разгледайте информационните листове за безопасност на материала (MSDS/SDS).

⁵ Словната марка и логата на Bluetooth[®] са регистрирани търговски марки, притежавани от Bluetooth SIG, Inc., и всяка употреба на такива марки от страна на HACH е съгласно лиценз.

Преносимите измервателни уреди от серията HQ са предназначени за използване от лица, които измерват параметрите на качеството на водата в лабораторията или на място. Измервателните уреди от серията HQ не обработват и не променят водата.

Раздел 5 Инсталиране

▲ ОПАСНОСТ



Множество опасности. Задачите, описани в този раздел на документа, трябва да се извършват само от квалифициран персонал.

5.1 Безопасност на литиевата батерия

▲ ПРЕДУПРЕЖДЕНИЕ



Опасност от пожар и експлозия. Литиевите батерии може да се нагреят, експлодират или да се възпламенят и да причинят сериозни наранявания, ако се намират при неблагоприятни условия.

- Не използвайте батерията, ако видимо е повредена.
- Не използвайте батерията, ако е била изложена на силен удар или вибрация.
- Не излагайте батерията на въздействието на огън или запалване.
- Съхранявайте батерията при температури, по-ниски от 70°C (158°F).
- Пазете батерията суха и далече от вода.
- Не позволявайте положителния и отрицателния терминал на батерията да контактуват помежду си.
- Не позволявайте неоторизирани лица да имат достъп до батерията.
- Изхвърляйте батерията в съответствие с местните, регионални и държавни разпоредби.
- Не използвайте или съхранявайте инструмента на пряка слънчева светлина, близо до източник на топлина или в среди с висока температура, като например затворено превозно средство, изложено на директна слънчева светлина.

5.2 Поставяне на батерията

▲ ПРЕДУПРЕЖДЕНИЕ



Опасност от пожар и експлозия. Това оборудване съдържа високоенергийна литиева батерия, която може да се възпламени и да причини пожар или експлозия, дори без захранване. С цел да се гарантира безопасността, осигурена от корпуса на инструмента, капаците на корпуса трябва да са поставени и закрепени чрез предоставените крепежни елементи.

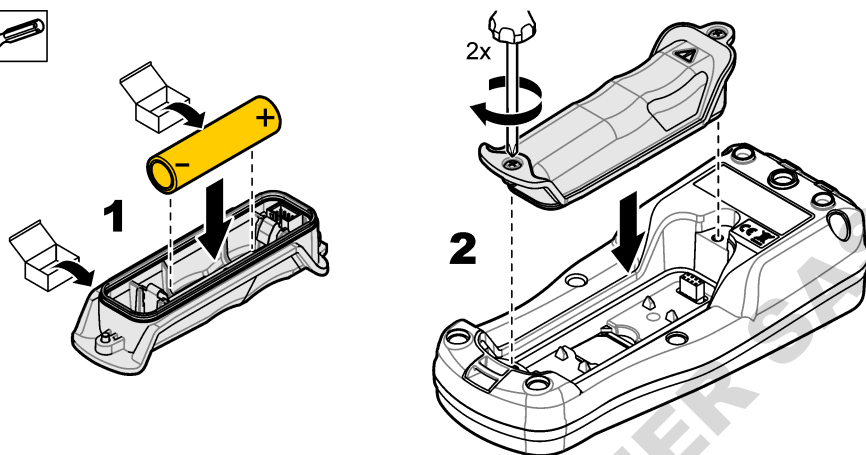
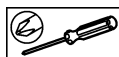
▲ ПРЕДУПРЕЖДЕНИЕ



Опасност от експлозия и пожар. Не се разрешава подмяна на батерията с друг тип батерия. Използвайте само батерии, които се предлагат от производителя на уреда.

Използвайте само предоставената от производителя литиево-йонна акумулаторна батерия. Направете справка с [Фигура 3](#) относно поставянето или отстраняването на батерията.

Фигура 3 Поставяне и отстраняване на батерия



5.3 Зареждане на батерията

▲ ОПАСНОСТ



Опасност от токов удар по потребителя. Ако това оборудване се използва на открито или на потенциално мокри места, трябва да се използва устройство за изключване при късо съединение (GFCI/GFI) за свързване на оборудването към основния захранващ източник.

▲ ПРЕДУПРЕЖДЕНИЕ



Опасност от пожар. Използвайте само това външно захранване, което е посочено за този инструмент.

▲ ПРЕДУПРЕЖДЕНИЕ



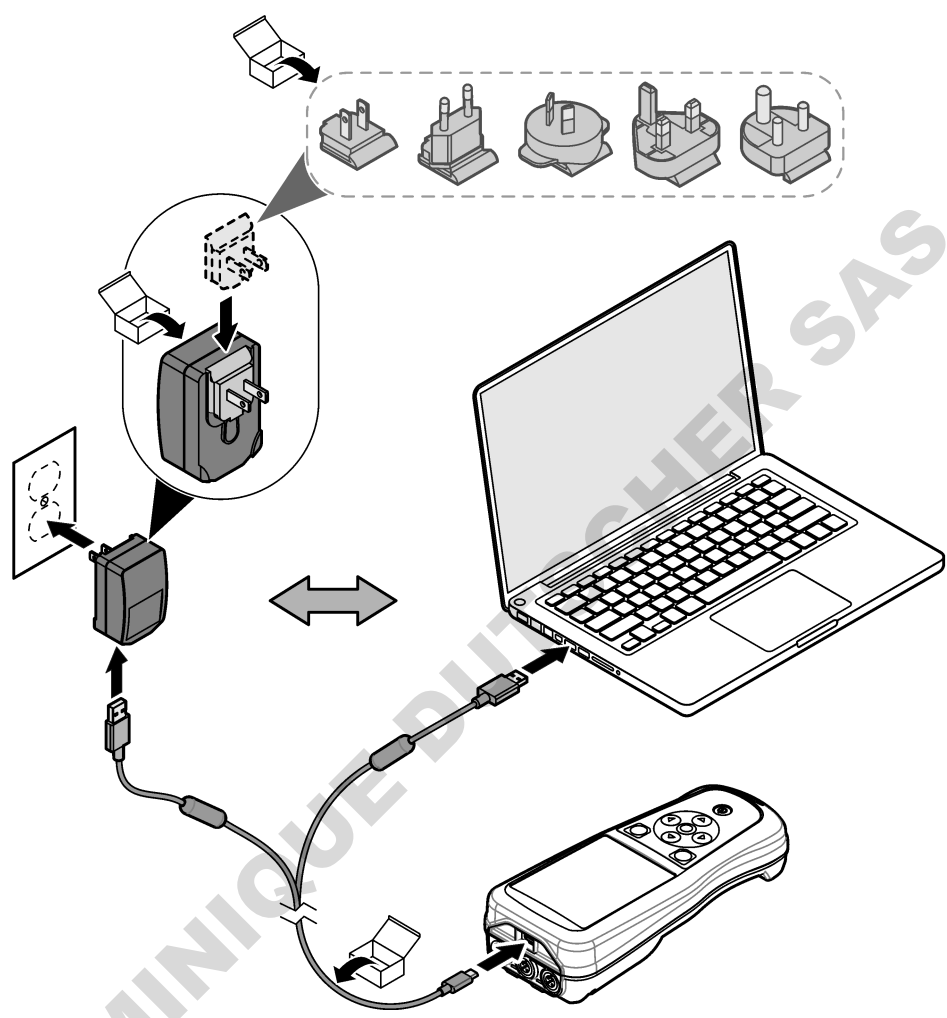
Опасност от токов удар. Външно свързаното оборудване трябва да имат оценка по приложимите за страната стандарти за безопасност.

Забележка

Винаги поставяйте тапата за USB порта, когато портът не се използва, за да се поддържа портът чист и да се предотврати корозия. Не зареждайте батерията, ако USB портът е мокър, мръсен или има корозия. Направете справка с [Поставяне на тапите за портове за USB и за сонди](#) на страница 259.

За зареждане на батерията използвайте предоставения USB кабел и USB захранващ адаптер или компютър. Направете справка с [Фигура 4](#). Когато уредът се свърже към захранването и бъде натиснат бутонът за вкл./Изкл., светва зеленият светодиоден индикатор. Потребителят може да работи с уреда, докато се зарежда батерията. Разрежданата батерия се зарежда напълно след около 5 часа, когато се използва USB захранващ адаптер и захранването на уреда е изключено. Уверете се, че е поставена тапата за USB порт, когато USB портът не се използва. Направете справка с [Поставяне на тапите за портове за USB и за сонди](#) на страница 259.

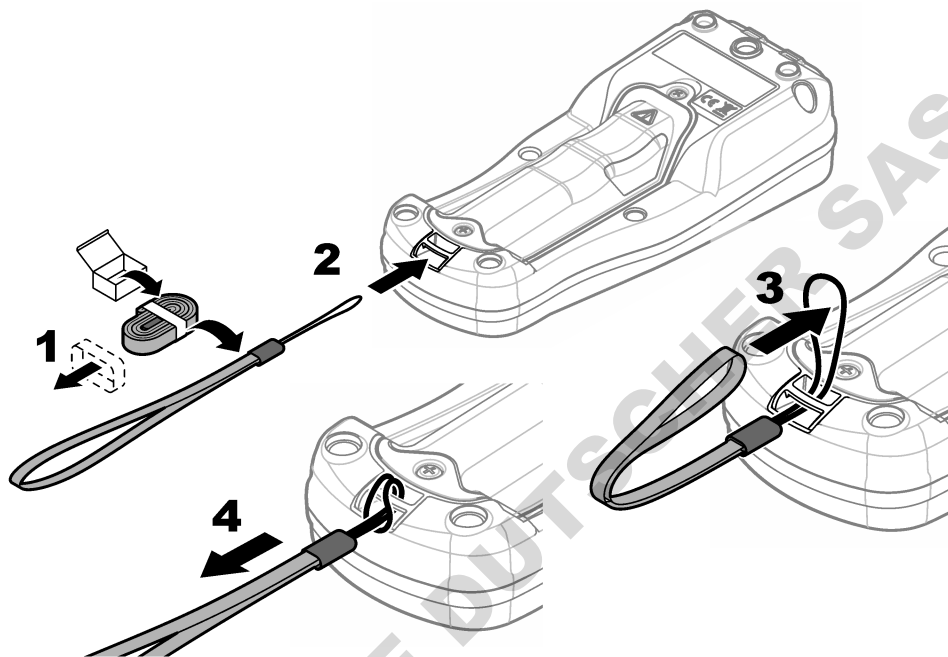
Фигура 4 Свързване към USB захранващия адаптер или компютър



5.4 Поставяне на каишката

Поставете каишката, за да държите безопасно измервателния уред. Направете справка с [Фигура 5](#).

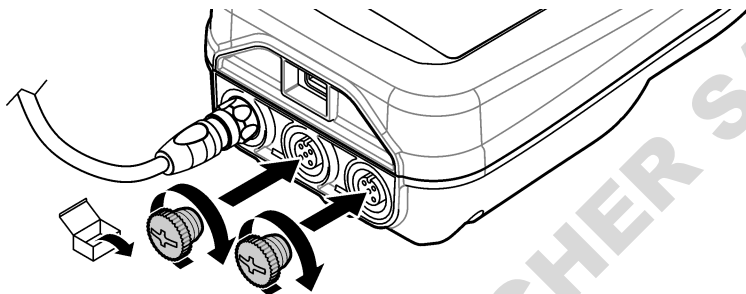
Фигура 5 Поставяне на каишка



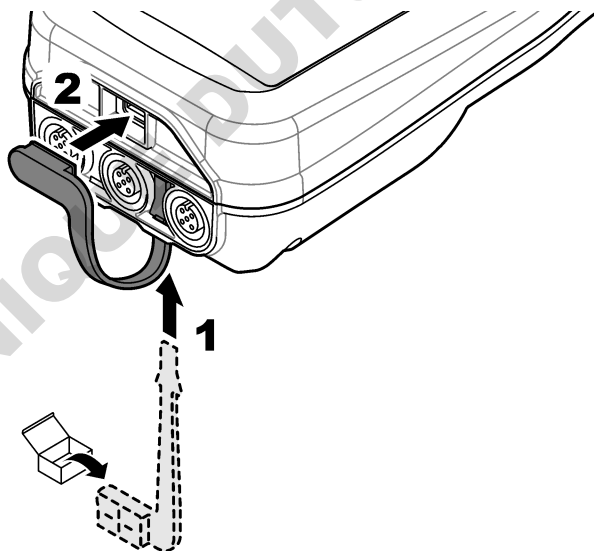
5.5 Поставяне на тапите за портове за USB и за сонди

Уверете се, че са поставени тапите за портове в порта(овете) за USB и сонди, когато портовете не се използват, за да се поддържат портовете чисти и да се предотврати корозия. Тапите за портове трябва да бъдат поставени в празните портове, за да се поддържа квалификацията на корпуса на инструмента. Направете справка с [Фигура 6](#) и [Фигура 7](#).
Забележка: [Фигура 6](#) показва измервателен уред с три порта за сонди. Някои модели измервателни уреди имат само по един или два порта за сонди.

Фигура 6 Поставяне на тапите за портовете




Фигура 7 Поставяне на тапата за USB порта



Раздел 6 Включване

6.1 Стартиране на измервателния уред

Натиснете , за да стартирате измервателния уред. Ако измервателният уред не се стартира, се уверете, че батерията е поставена правилно или че измервателният уред е свързан към захранващ източник. Направете справка с [Зареждане на батерията](#) на страница 256.

6.2 Избор на език

Когато към измервателния уред се подаде захранване за първи път или при поставяне на нова батерия, на дисплея се показва екранът за избор на език. Изберете приложимия език. Потребителят може да променя също езика от менюто „Настройки“.

6.3 Задаване на датата и часа

Когато към измервателния уред се подаде захранване за първи път или при поставяне на нова батерия, на дисплея се показва екранът „Дата - час“. За да зададете датата и часа, извършете следващите стъпки.

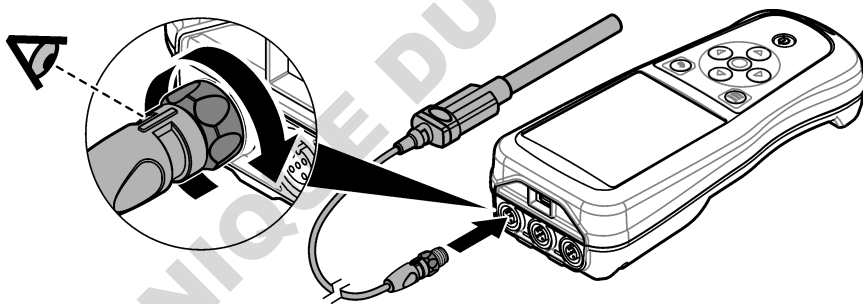
Забележка: Потребителят може да променя също датата и часа от менюто „Настройки“.

1. Натискайте бутоните със стрелките нагоре и надолу, за да изберете формат на датата.
2. Натиснете стрелката надясно, за да отидете до датата и часа.
3. Натискайте бутоните със стрелките нагоре и надолу, за да промените датата и часа.
4. Натиснете стрелката надясно, за да маркирате Запазване.
5. Изберете Запазване, за да запазите настройките.

6.4 Свързване на сонда

Преди да бъде свързана сонда, се уверете, че сте настроили часа и датата в измервателния уред. Клеймото за дата за сондата се задава при първото ѝ свързване към измервателното устройство. Клеймото за дата записва автоматично хронологията на сондата и времето, когато са били извършени измерванията. Направете справка с [Фигура 8](#) за свързването на сонда към измервателния уред.

Фигура 8 Свързване на сонда към измервателния уред



Раздел 7 Потребителски интерфейс и навигиране

След стартирането на дисплея се показва началният екран. Направете справка с [Начален екран](#) на страница 260. Използвайте клавиатурата за избор на наличните опции и за промяна на стойности. Направете справка с [Клавиатура](#) на страница 262. Използвайте главното меню, за да отидете до настройките и до други менюта. Направете справка с [Главно меню](#) на страница 263.

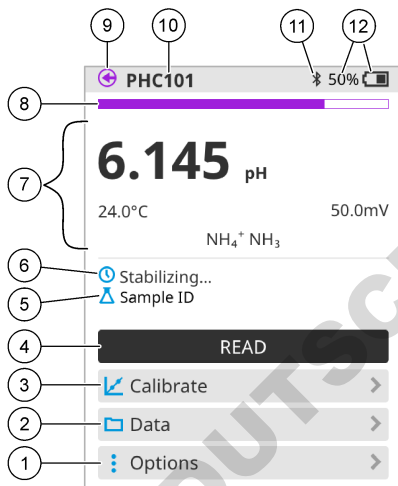
7.1 Начален екран

На дисплея се показва началният екран, когато измервателният уред е включен и към него е свързана сонда. Направете справка с [Фигура 9](#). Моделите HQ4100, HQ4200, HQ4300 са с цветен дисплей. За моделите с два или с три порта за сонди екранът показва всички свързани сонди. Направете справка с [Фигура 10](#).

От началния екран са налични следните задачи:

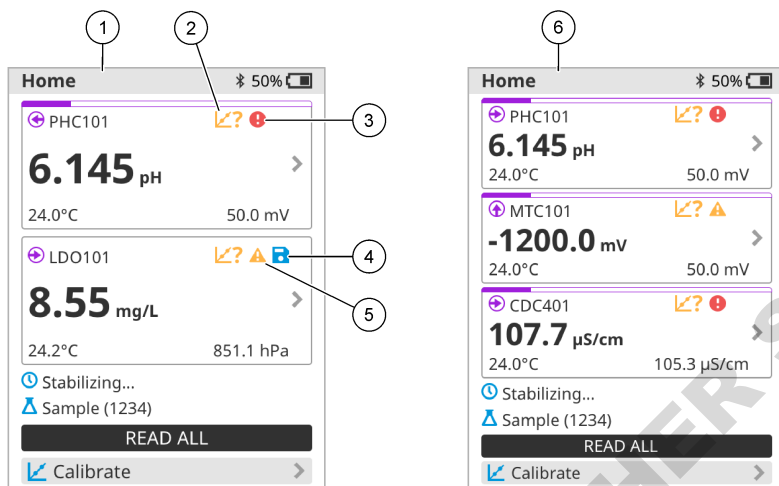
- Измерване на проби
- Калибриране на сонда
- Проверка на калибриране
- Задаване на ИД на проба (идентификация)
- Преглед и управление на данните
- Четене на инструкции стъпка по стъпка

Фигура 9 Пример на начален екран – с една сонда



1 Меню Опции: предоставя достъп до инструкции и други менюта	7 Раздел за стойности от измерването: показва измерената стойност, температурата и единиците
2 Меню Данни: предоставя достъп до преглед и управление на данните	8 Индикатор за състоянието на стабилността на измерването: показва състоянието на измерването
3 Бутон Калибриране: стартира калибриране	9 Порт за сонда Intellical: показва местоположението на порта на свързаната сонда
4 Бутон Отчитане: отчита стойността на проба или стандартен разтвор	10 Име на сондата Intellical: показва името на модела на свързаната сонда
5 ИД на пробата: показва името на пробата, която се измерва	11 Иконка Bluetooth® (ако е монтиран комуникационен донгъл на Nach): показва кога е активна връзка чрез bluetooth
6 Зона за съобщения: показва състоянието на измерването, ИД на пробата, грешки и предупреждения	12 Индикатор на заряда на батерията: показва процента на заряда на батерията

Фигура 10 Пример на начален екран – с две или три сонди

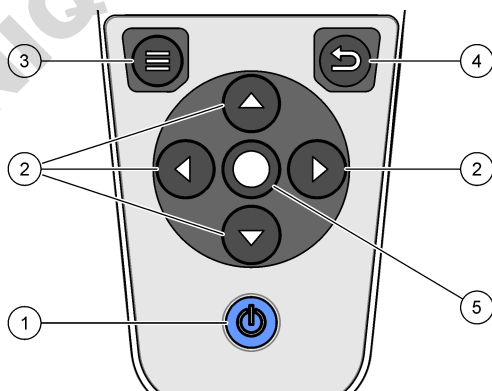


1 Начален екран с две сонди	4 Икона за запазване: данните от измерването са в регистъра за данни
2 Икона за калибрирания: указва, че калибрирането не е прието или че срокът му е изтекъл	5 Икона за предупреждение (направете справка с Отстраняване на повреди на страница 268)
3 Икона за грешка (направете справка с Отстраняване на повреди на страница 268)	6 Начален екран с три сонди

7.2 Клавиатура

Направете справка с [Фигура 11](#) за описание на клавиатурата.

Фигура 11 Описание на клавиатурата

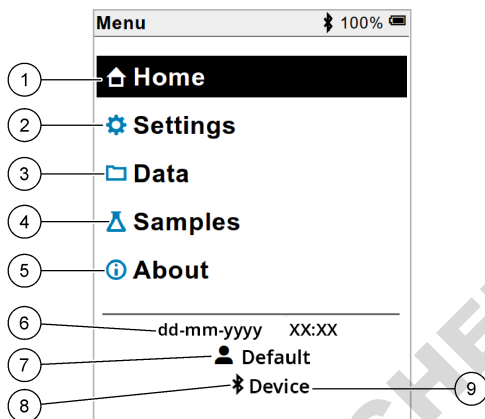


1 Клавиш за вкл./изкл.	4 Клавиш за назад
2 Стрелки за навигация	5 Клавиш за избор
3 Клавиш за меню	

7.3 Главно меню

Натиснете , за да отидете до главното меню. Направете справка с [Фигура 12](#).

Фигура 12 Описание на главното меню



1	Екран Начало	4	Меню ИД на пробата	7	ИД на потребителя
2	Меню Настройки	5	Екран Относно изм. уред	8	Икона Bluetooth® (ако е монтиран HCD)
3	Меню Данни	6	Дата и час	9	ИД Bluetooth® устройството (ако е монтиран HCD)

Раздел 8 Работа

Този раздел дава общи инструкции за работа с измервателния уред. За по-подробни инструкции направете справка с инструкциите на екрана на измервателния уред или тези в ръководството за потребителя за сондата.

8.1 Измерване на проби

Следващите стъпки са общи стъпки за измерване на проби с измервателния уред.


1. Изберете измервателен режим. Направете справка с [Настройки на измервателния уред](#) на страница 265.
2. Подготовка на пробата за измерване. Направете справка с инструкциите на екрана на измервателния уред или тези в ръководството за потребителя за сондата.
3. Измерете пробата по следния начин:

- **Режим „Натиснете за отчитане“:** изберете Отчитане (или Отчитане на всичко) за да измерите стойността на пробата. Измервателният уред запазва автоматично стойността.
- **Режим с интервали:** изберете „Стартиране“ (или „Старт вс.“), за да стартирате измерванията. Измервателният уред автоматично измерва и запазва стойността на пробата през определените интервали от време. Изберете „Спиране“ (или „Стоп вс.“), за да спрете измерванията.
- **Непрекъснат режим:** измервателният уред измерва непрекъснато стойността на пробата. Изберете Запазване (или „Запазване на всичко“), за да запазите стойността, която се показва върху екрана на дисплея.

Дисплеят показва резултата след всяко измерване. Ако резултатът е запазен в регистъра за данни, на дисплея се показва иконата за запазване.

8.2 Калибриране на сонда

Следващите стъпки са общи стъпки за калибриране на сонда с измервателния уред. За да промените настройките на калибрирането, направете справка с [Настройки на сондата](#) на страница 266.

1. От началния екран изберете  Калибриране. Ако е свързана повече от една сонда, изберете сондата за калибриране. На дисплея се показва(т) разтворът(ите) за използване при калибрирането.
2. Подгответе буферните или стандартните разтвори за калибрирането. Използвайте инструкциите на екрана на измервателния уред или тези в ръководството за потребителя за сондата.
3. Изберете Отчитане, за да стартирате калибрирането. Измервателният уред измерва стойността на разтвора за калибриране. След като завърши измерването, на дисплея се показва резултатът.
4. Изберете Отчитане, за да измерите стойността на другите буферни или стандартни разтвори, ако е приложимо. Изберете Запазване, за да запазите калибрирането.


Забележка: Ако калибрирането не бъде прието, направете справка с инструкциите за отстраняване на неизправности на екрана на измервателния уред или тези в ръководството за потребителя за сондата.

8.3 Проверка на калибрирането

Следващите стъпки са общи стъпки за проверка на калибрирането на сондата с измервателния уред. За да промените настройките на проверката, направете справка с [Настройки на сондата](#) на страница 266.

1. От началния екран изберете Опции > Проверка на калибрирането. На дисплея се показват буферния или стандартният разтвор за използване при проверката.

Забележка: Ако е свързана повече от една сонда, изберете сондата за проверка.

2. Подгответе буферния или стандартния разтвор за проверката. Използвайте инструкциите на екрана на измервателния уред или тези в ръководството за потребителя за сондата.
3. Изберете Отчитане, за да стартирате проверката. Измервателният уред измерва стойността на разтвора за проверката. След като завърши измерването, на дисплея се показва резултатът.
4. Ако проверката е успешна , изберете Запазване, за да се запази резултатът.

Забележка: Ако проверката не бъде приета, направете справка с инструкциите за отстраняване на неизправности на екрана на измервателния уред или тези в ръководството за потребителя за сондата.

8.4 Включване на ИД на проба към данните от измерването


Уредът може да запазва име (ИД) на проба със съхранените данни от измерването. Въведете много имена на проби в уреда, след това изберете приложимото име на проба, преди пробите да бъдат измерени. Уредът добавя номера към пробите с едно и също име, напр. „Sample name (2)“ (Име на пробата (2)).

1. Натиснете  и изберете Проби.
2. Изберете опция.

Опция	Описание
Проба	Изберете името на пробата за запазване с измерванията на пробата.
Създаване на нова проба	Отваря екрана за добавяне на нови имена на проби. Имената на пробите могат да включват букви и цифри.
Изтриване на проби	Премахва имена на проби.

8.5 Включване на ИД на потребителя към съхранени данни

Уредът може да записва име (ИД) на потребител със съхранените данни. Въведете много имена на потребители в уреда, след това изберете приложимото име на потребител, преди калибриранията или измерванията да бъдат стартирани.


1. Натиснете  и изберете Настройки. Показва се списъкът с настройки.
2. Изберете Потребители.
3. Изберете опция.

Опция	Описание
Потребител	Изберете името на потребителя. Избраното име на потребител се показва на екрана на главното меню и се запазва със съхранените данни.
Създаване на нов потребител	Отваря екрана за добавяне на нови имена на потребители. Имената на потребителите могат да включват букви и цифри.
Изтриване на потребители	Премахва имена на потребители.

Раздел 9 Настройки на измервателния уред

Изпълнете стъпките, които следват, за да промените общите настройки на електромера.

Забележка: *Защитата с парола може да предотврати достъпа до някои менюта. Вижте онлайн ръководството за потребителя за информация относно контрола на достъпа.*

1. Натиснете  и изберете Настройки. Показва се списъкът с настройки.
2. Изберете опция.


Опция	Описание
[Име на сондата]	Променя специфичните за сондата настройки за измервания, калибриране и проверка. Вижте Настройки на сондата на страница 266, за да промените настройките за свързаната сонда.
Режим на измерване	Задава при стартиране на измерванията. Опции: Натиснете за отчитане, Непрекъснато или Интервал. Натиснете за отчитане: Пробата се измерва само когато се натисне Отчитане. Данните се записват автоматично в дневника на данните, когато са изпълнени критериите за стабилност. Интервал: Пробата се измерва на равни интервали за определена продължителност. Данните се съхраняват автоматично в дневника на данните. Непрекъснато: Уредът измерва непрекъснато стойността на пробата. Данните се записват в дневника на данните само когато потребителят избере Запазване.
Температура	Задава температурните единици на ° C или ° F.
Дисплей	Променя настройките за дисплей. Опции: Яркост, Фоново осветление и Изключване. Яркост: Променя интензивността на подсветката. Опции: от 10 до 100% (по подразбиране: 50%). Фоново осветление: Задава изключване на подсветката, когато глюкомерът не се използва за определено време. Опции: 15 секунди, 30 секунди, 1 минута, 5 минути или Никога. Изключване: Изключва измервателния уред, когато глюкомерът не се използва за определено време. Опции: 1 минута, 2 минути, 5 минути, 10 минути, 30 минути, 1 час, 2 часа или Никога.
Звук	Задава на измервателния уред да издава звук по време на натискане на клавиши или известия. Опции: Натискане на клавиш, Известие за стабилност, Напомняне, Известие за грешка/предупреждение или (батерия) Зареждането е завършено ,
Потребители	Избира потребител, добавя нов потребител или изтрива потребител.

Опция	Описание
Дата - час	Задава формата на дата / час, дата и час в глюкомера.
Език	Задава езика на измервателния уред.
Достъп	Задава парола за предотвратяване на достъпа до настройките на сондата, някои настройки на измервателния уред (режим на измерване, температура, език) и актуализации на софтуера. Потребител без парола не може да изтрие настройки или данни, когато е включен контролът за достъп.
Диагностика	Създава диагностичен файл за техническа поддръжка или сервиз, ако възникне технически проблем. Потребителят трябва да свърже глюкомера към компютър, за да получи файла.

Раздел 10 Настройки на сондата

Когато дадена сонда бъде свързана към измервателния уред, потребителят може да промени настройките на сондата за измерванията, калибриранията и проверките. Направете справка със следващите стъпки, за да осъществите достъп до настройките за свързаната сонда. За пълно описание на настройките направете справка с онлайн ръководството за потребителя на измервателния уред.

Забележка: *Защитата с парола може да предотврати достъпа до някои менюта. Направете справка с онлайн ръководството за потребителя за информация относно настройките за сигурност.*


1. Натиснете  и изберете Настройки. Показва се списъкът с настройки.
2. Изберете името на сондата.
3. Изберете приложимата опция: Измерване, Калибриране или Проверка.

Раздел 11 Управление на данните

Измервателният уред запазва данните от измерванията, калибриранията и проверките на проби, както следва:

- Измервания на проби – измервателният уред запазва автоматично данните от измерената проба, когато режимът на измерване е „Натиснете за отчитане“ или „Интервал“. Когато режимът на измерване е „Непрекъснато“, потребителят трябва да избере “Запазване”, за да се запазят данните от измерената проба. Когато данните от измерената пробата са в регистъра за данни, на началния екран се показва иконата за запазване.
- Данни от калибрирането – потребителят трябва да избере “Запазване”, за да се запазят данните от калибрирането. Данните от калибрирането се запазват в измервателния уред и в сондата Intellical.
- Данни от проверката – потребителят трябва да избере “Запазване”, за да се запазят данните от проверката.

Изпълнете следващите стъпки за преглеждане, експортиране или изтриване на данни.

1. Натиснете  и изберете Данни, или изберете Данни от началния екран.
2. Изберете опция.

Опция	Описание
Преглед на данни	Показва данните в регистъра за данни. Първо се показват най-скорошните данни. Натискайте стрелката надолу, за да видите още данни. Иконата за калибриране показва кога типът данни е данни от калибриране. Иконата за проверка показва кога данните са от проверка. За да видите повече подробности за дадена даннова точка, изберете реда на данните и натиснете стрелката надясно. За да приложите филтър и да се показват само филтрираните данни, натиснете стрелката наляво и изберете параметър, тип на данните или диапазон от дати.

Опция	Описание
Експортиране на данни	<p>Изпраща копие на всички данни в регистъра за данни към свързан компютър или USB устройство за съхранение. За свързване на уреда към компютър направете справка с Фигура 4 на страница 257. За свързване на уреда към стандартно USB устройство за съхранение използвайте micro USB към USB Type A адаптер. Или използвайте USB устройство за съхранение с конектор micro USB.</p> <p>Когато уредът се свърже с компютър, се отваря прозорец на файловия мениджър към устройство с име „HQ-Series“. Разширете изгледа на устройството и потърсете подпапка с името и серийния номер на измервателния уред. Файлът с данни се показва като .csv файл с дата и час като име на файла. Запазете .csv файла на местоположение в компютъра.</p> <p>Забележка: Ако прозорецът на файловия мениджър не се отвори автоматично, тогава отворете прозорец на файловия мениджър и потърсете устройство с името „HQ-Series“.</p>
Хронология на калибрирането	Показва текущите и предишните данни от калибрирането за свързана сонда.
Изтриване на данни	Изтрива всички данни в регистъра за данни. Защитата с парола може да предотврати достъпа до опцията за изтриване на данни.

Раздел 12 Поддръжка

▲ ВНИМАНИЕ



Множество опасности. Задачите, описани в този раздел на документа, трябва да се извършват само от квалифициран персонал.

12.1 Почистване на инструмента

Почистете външните повърхности на инструмента с влажна кърпа и слаб сапунен разтвор и след това изтрийте инструмента, за да се подсуши, ако е необходимо.

12.2 Смяна на батерията

Сменете батерията, когато тя не се зарежда или когато не задържа заряда си. Използвайте само батерията и зарядното устройство за батерии, които са предоставени от производителя. Направете справка с [Поставяне на батерията](#) на страница 255.



12.3 Подготовка за транспортиране

Измервателният уред съдържа литиево-йонна батерия, която е класифицирана като опасен материал и трябва да отговаря на изискванията на разпоредбите за опасни стоки за всички типове транспорт. Използвайте процедурите по-долу за изпращане на уреда за ремонт или за техническо обслужване:

- Разкачете сондите преди експедиране.
- Почистете и обеззаразете уреда преди експедиране.
- За максимална безопасност извадете литиево-йонната батерия от устройството и не изпращайте батерията. Ако батерията трябва да се изпрати, дръжте батерията поставена в батерийното отделение, но не прикрепвайте батерийното отделение към уреда. Поставете батерийното отделение с монтираната батерия в отделна опаковка, за да предотвратите контакта с електропроводящи материали (напр. метали).
- Транспортирайте уреда в оригиналната му опаковка или в алтернативна защитна опаковка.

Раздел 13 Отстраняване на повреди

13.1 Използване на инструкциите за отстраняване на неизправности на екрана

Потребителският интерфейс има инструкции за отстраняване на неизправности, за да се помогне за коригиране на проблеми, които могат да възникнат по време на измерванията, калибриранията и проверките. При възникване на проблем на дисплея се показва иконата за грешка  или за предупреждение  с кратко описание на проблема. Натиснете стрелката надясно, за да видите препоръчаните процедури за коригиране на проблема.

Раздел 14 Резервни части

ПРЕДУПРЕЖДЕНИЕ



Опасност от нараняване. Използването на части, които не са одобрени за употреба, може да причини нараняване, повреда на инструмента или неизправност на оборудването. Резервните части, упоменати в този раздел, са одобрени от производителя.

Забележка: Продуктовите и каталожните номера може да се различават в някои региони на продажба. Свържете се със съответния дистрибутор или посетете уебсайта на компанията за информация за контакт.

Резервни части

Описание	Каталожен номер
Батерия, литиевойонна, 18650, 3200 mAh, английски език	LEZ015.99.00001
Батерия, литиевойонна, 18650, 3100 mAh, китайски език	LEZ015.80.00001
Кабел, USB 2.0 конектор тип А към микроконектор тип В, 0,91 m (3 ft)	LEZ015.99.00002
Кутия за пренасяне за стандартни сонди	LEZ015.99.A001A
Кутия за пренасяне за износоустойчиви сонди	LEZ015.99.A002A
Каишка за носене и капачки против прах	LEZ015.99.A005A
Сгъваемо опорно краче с ремък за ръка	LEZ015.99.A003A
Защитен калъф	LEZ015.99.A004A
USB захранващ адаптер, 5 VDC, 2 A, 100 – 240 VAC, САЩ	LEZ015.99.00006
USB захранващ адаптер, 5 VDC, 2 A, 100 – 240 VAC, ЕС и Великобритания	LEZ015.99.00004
USB захранващ адаптер, 5 VDC, 2 A, 100 – 240 VAC, Китай	LEZ015.99.00005
USB захранващ адаптер, 5 VDC, 2 A, 100 – 240 VAC, останалата част от света	LEZ015.99.00007

Tartalomjegyzék

1 Online felhasználói kézikönyv oldalon 269	8 Működés oldalon 282
2 A termék áttekintése oldalon 269	9 A mérőbeállítások oldalon 284
3 Műszaki adatok oldalon 270	10 Szonda beállítása oldalon 285
4 Általános tudnivaló oldalon 271	11 Adatkezelés oldalon 285
5 Telepítés oldalon 273	12 Karbantartás oldalon 286
6 Beindítás oldalon 278	13 Hibaelhárítás oldalon 287
7 Kezelőfelület és navigálás oldalon 279	14 Cserealkatrészek oldalon 287

Szakasz 1 Online felhasználói kézikönyv

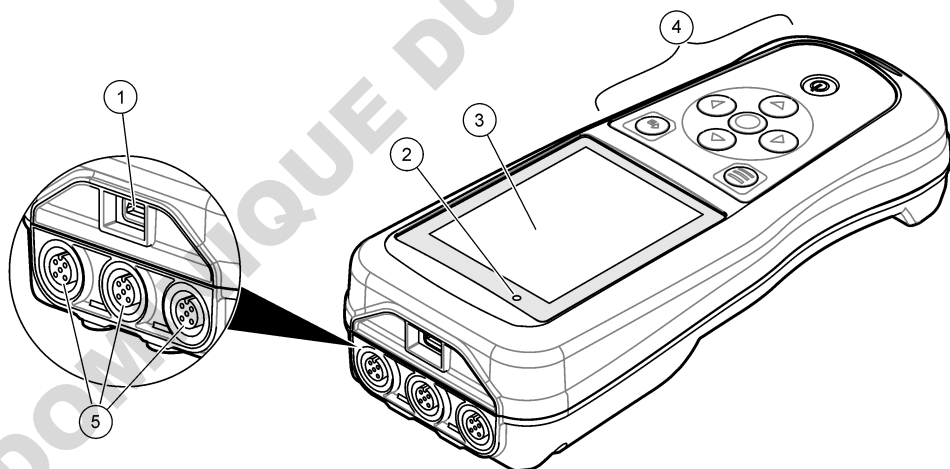
Ez az alapvető felhasználói útmutató kevesebb információt tartalmaz, mint a gyártó honlapján található felhasználói kézikönyv.

Szakasz 2 A termék áttekintése

A HQ sorozatú hordozható mérőműszerek a digitális Intellical szondák segítségével egy vagy több vízminőségi paraméter mérésére használhatók. Lásd: **1. ábra**. A mérőműszer automatikusan felismeri a hozzá csatlakoztatott szondát. A mérőműszer számítógéphez vagy USB-eszközhöz csatlakoztatható, így a rajta tárolt adatok átmásolhatók az eszközre. Az opcionális Hach kommunikációs hardverkulcs (HCD) segítségével a mérőműszer a Claros platformhoz csatlakoztatható.

A HQ sorozatú hordozható mérőeszköz nyolc változatban kapható. Az **1. táblázat** az egyes modellekhez csatlakoztatható szondatípusokat mutatja be.

1. ábra A termék áttekintése



1 Mikro-USB csatlakozó	4 Keypad (Billentyűzet)
2 LED kijelző	5 Intellical szondacsatlakoztató portok (három szondacsatlakoztató porttal rendelkező változat látható)
3 Kijelző	

1. táblázat A HQ sorozathoz tartozó mérőműszerek

Mérőműszer típusa	Szondacsatlakozók száma	pH/mV/ORP ¹ szondák	LDO/LBOD ² szondák	Vezetőképesség ³ szondák	ISE ⁴ szondák
HQ1110	1	✓			
HQ1130	1		✓		
HQ1140	1			✓	
HQ2100	1	✓	✓	✓	
HQ2200	2	✓	✓	✓	
HQ4100	1	✓	✓	✓	✓
HQ4200	2	✓	✓	✓	✓
HQ4300	3	✓	✓	✓	✓

Szakasz 3 Műszaki adatok

A műszaki adatok előzetes bejelentés nélkül változhatnak.

Műszaki adatok	Részletes adatok
Méreték (Ho x Szé x M)	22 x 9,7 x 6,3 cm (8,7 x 3,8 x 2,5 hüvelyk)
Tömeg	HQ1110, HQ1130, HQ1140 és HQ2100: 519 g (18,3 uncia); HQ2200: 541 g (19,1 uncia); HQ4100: 530 g (18,7 uncia); HQ4200: 550 g (19,4 uncia); HQ4300: 570 g (20,1 uncia)
Burkolat védelmi osztálya	IP67, beszerelt akkumulátortartó rekesszel
Tápellátási igény (belső)	Újratölthető lítium-ion akkumulátor 18650 (18 mm átmérő x 65 mm hossz, hengeres), 3,7 V DC, 3200 mAh; akkumulátor élettartama: > 1 hét: normál használat mellett (10 leolvasás/nap, 5 nap/hét folyamatos vagy „Push to Read” üzemmódban, vagy > 24 óra: Intervallum üzemmódban, 5 perces időközökkel és ≤ 15 perces kikapcsolási időzítő mellett)
Tápellátási igény (külső)	II. Osztály, USB-tápegység: 100–240 V AC, 50/60 Hz-es bemenet; 5 V DC 2 A-es USB-tápegység kimenet esetén
Műszer védelmi osztálya	IEC III. osztály (SELV (leválasztott/biztonságos kifeszültségű) tápellátás); az USB-adapter IEC II. osztályú (kettős szigetelésű)
Üzemi hőmérséklet	0–60 °C (32–140 °F)
Töltési hőmérséklet	10–40 °C (50–104 °F)
Üzemi páratartalom	90% (nem lecsapódó)
Tárolási hőmérséklet	–20 és 60 °C (–4 és 140 °F) között, legfeljebb 90% relatív páratartalom (lecsapódás nélkül)
Szonda csatlakozója	5 tűs M12 csatlakozó az Intellical szondák számára
Mikro-USB csatlakozó	A mikro-USB csatlakozó az USB-kábel és az USB-adapter csatlakoztatására szolgál.
Adatnapló (belső)	HQ1000 sorozat: 5000 adatpont; HQ2000 sorozat: 10 000 adatpont; HQ4000 sorozat: 100 000 adatpont

¹ A pH/mV/ORP szondák a hőmérséklet mérésére is alkalmasak

² Az LDO/LBOD szondák a hőmérséklet mérésére is alkalmasak

³ A vezetőképesség-mérő szondák a sótartalom, a TDS (összes oldott szilárd anyag), az ellenállás és a hőmérséklet mérésére is alkalmasak

⁴ Ionszelektív szondák, például ammónia, nitrát, klorid, fluorid, nátrium

Műszaki adatok	Részletes adatok
Adattárolás	Automatikus tárolás „Push to Read” és Intervallum üzemmódban. Manuális tárolás Folyamatos üzemmódban.
Adatexportálás	USB-kapcsolat számítógéphez vagy USB-eszközhöz (az illető eszköz tárhelykapacitásának mértékéig)
Hőmérséklet-korrekción	Ki, automatikus vagy kézi (paraméterspecifikus)
Tanúsítványok	CE, UKCA, FCC, ISED, RCM, KC, ETL-hitelesítés: US DOE/ NRCan energiahatékonyság, RoHS
Jótállás	HQ1000 és HQ2000 sorozat: 1 év (USA), 2 év (EU); HQ4000 sorozat: 3 év (USA), 3 év (EU)

Szakasz 4 Általános tudnivaló

A gyártó semmilyen esetben sem vállal felelősséget a termék nem megfelelő használatából vagy a kézikönyv utasításainak be nem tartásából eredő károkért. A gyártó fenntartja a kézikönyv és az abban leírt termékek megváltoztatásának jogát minden értesítés vagy kötelezettség nélkül. Az átdolgozott kiadások a gyártó webhelyén található.

4.1 Biztonsági tudnivalók

A gyártó nem vállal felelősséget a termék nem rendeltetésszerű alkalmazásából vagy használatából eredő semmilyen kárért, beleértve de nem kizárólag a közvetlen, véletlen vagy közvetett károkat, és az érvényes jogszabályok alapján teljes mértékben elhárítja az ilyen kárigényeket. Kizárólag a felhasználó felelőssége, hogy felismerje a komoly alkalmazási kockázatokat, és megfelelő mechanizmusokkal védje a folyamatokat a berendezés lehetséges meghibásodása esetén.

Kérjük, olvassa végig ezt a kézikönyvet a készülék kicsomagolása, beállítása vagy működtetése előtt. Szenteljen figyelmet az összes veszélyjelző és óvatosságra intő mondatra. Ennek elmulasztása a kezelő súlyos sérüléséhez vagy a berendezés megrongálódásához vezethet.

A berendezés nyújtotta védelmi funkciók működését nem szabad befolyásolni. Csak az útmutatóban előírt módon használja és telepítse a berendezést.

4.2 A veszélyekkel kapcsolatos tudnivalók alkalmazása

▲ VESZÉLY

Lehetséges vagy közvetlenül veszélyes helyzetet jelez, amely halálhoz vagy súlyos sérüléshez vezet.

▲ FIGYELMEZTETÉS

Lehetséges vagy közvetlenül veszélyes helyzetet jelez, amely halálhoz vagy súlyos sérüléshez vezethet.

▲ VIGYÁZAT

Lehetséges veszélyes helyzetet jelez, amely enyhe vagy kevésbé súlyos sérüléshez vezethet.

MEGJEGYZÉS

A készülék esetleges károsodását okozó helyzet lehetőségét jelzi. Különleges figyelmet igénylő tudnivaló.

4.3 Figyelmeztető címkék

Olvasson el a műszeren található minden címkét és feliratot. Ha nem tartja be, ami rajtuk olvasható, személyi sérülés vagy műszer rongálódás következhet be. A műszeren látható szimbólum jelentését a kézikönyv egy óvintézkedési mondattal adja meg.

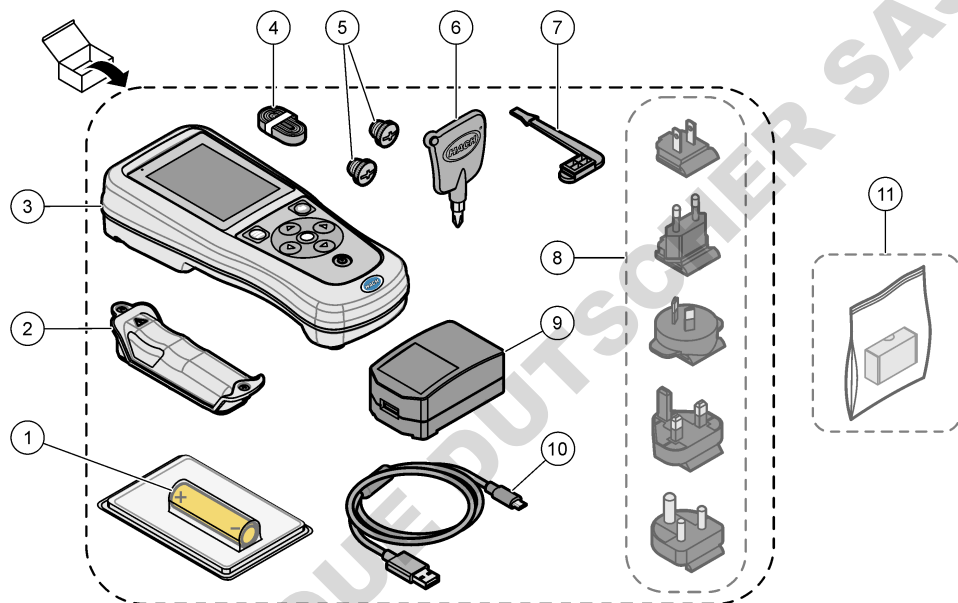


Az ezzel a szimbólummal jelölt elektromos készülékek Európában nem helyezhetők háztartási vagy közösségi hulladékfeldolgozó rendszerekbe. A gyártó köteles ingyenesen átvenni a felhasználóktól a régi vagy elhasználatott elektromos készülékeket.

4.4 A termék részegységei

Győződjön meg arról, hogy minden részegységet megkapott. Lásd: [2. ábra](#). Ha valamelyik tétel hiányzik vagy sérült, forduljon azonnal a gyártóhoz vagy a forgalmazóhoz.

2. ábra A termék részegységei



1 Újratölthető lítium-ion akkumulátor	7 USB-port csatlakozó
2 Akkumulátor rekesz	8 Opcionális tápcsatlakozók
3 Műszer	9 USB hálózati adapter
4 Csuklópánt	10 USB-kábel, Type A – mikro, 1 m (3,3 láb)
5 Szondacsatlakozó dugók	11 Opcionális Hach kommunikációs hardverkulcs (HCD)
6 Csavarhúzó (#1 Phillips)	

4.5 Tanúsítvány

A rádió interferenciát okozó eszközök kanadai szabályozása, IECS-003 B osztály:

A vizsgálati eredmények bizonyítása a gyártónál található.

Ez az A osztályú berendezés megfelel B rádió interferenciát okozó eszközök kanadai szabályozásának.

Cet appareil numérique de classe B répond à toutes les exigences de la réglementation canadienne sur les équipements provoquant des interférences.

FCC 15. szakasz, az „B” osztályra vonatkozó korlátok

A vizsgálati eredmények bizonyítása a gyártónál található. Az eszköz megfelel az FCC szabályok 15. szakaszában foglaltaknak. A működés a következő feltételek függvénye:

1. A berendezés nem okozhat káros interferenciát.
2. A berendezésnek minden felvett interferenciát el kell fogadnia, beleértve azokat az interferenciákat is, amelyek nem kívánatos működéshez vezethetnek.

A berendezésben véghezvitt, és a megfelelőségbiztosításra kijelölt fél által kifejezetten el nem fogadott változtatások vagy módosítások a berendezés működtetési jogának megvonását vonhatják maguk után. Ezt a berendezést bevizsgálták, és azt az FCC szabályok 15. szakaszának megfelelően az B osztályú készülékekre érvényes határértékek szerintinek minősítették. E határértékek kialakításának célja a tervezés során a megfelelő védelem biztosítása a káros interferenciák ellen a berendezés kereskedelmi környezetben történő használata esetén. A berendezés rádió frekvencia energiát gerjeszt, használ és sugároz, és amennyiben nem a használati kézikönyvnek megfelelően telepítik vagy használják, káros interferenciát okozhat a rádiós kommunikációban. A berendezésnek lakott területen való működtetése valószínűleg káros interferenciát okoz, amely következtében a felhasználót saját költségére az interferencia korrekciójára kötelezik. A következő megoldások használhatók az interferencia problémák csökkentésére:

1. Vigye távolabb a készüléket az interferenciát észlelő készüléktől.
2. Állítsa más helyzetbe annak a készüléknek az antennáját, amelyet zavar.
3. Próbálja ki a fenti intézkedések több kombinációját.

4.6 Hach kommunikációs hardverkulcs (opcionális)

Az opcionális Hach kommunikációs hardverkulcs (HCD) alacsony energiaigényű Bluetooth®-kapcsolatot használ⁵ a Claros platformmal való kommunikációhoz. Az eszköz telepítéséhez és működtetéséhez kövesse a gyártó utasításait és figyelmeztetéseit. A tudnivalókat a Hach kommunikációs hardverkulcshoz mellékelt dokumentáció tartalmazza.

4.7 Tervezett felhasználás

▲ VIGYÁZAT



Kémiai expozíció veszélye. Kövesse a laboratóriumi biztonsági eljárásokat, és viselje a kezelt vegyszereknek megfelelő összes személyes védőfelszerelést. A biztonsági protokollokkal kapcsolatban lásd az aktuális biztonsági adatlapokat (MSDS/SDS).

A HQ sorozatú hordozható mérőműszereket olyan személyek általi használatra szánták, akik a laboratóriumban vagy a helyszínen vízminőségi paramétereket mérnek. A HQ sorozatú mérőműszerek nem végeznek kezelést a vízen és nem befolyásolják annak minőségét.

Szakasz 5 Telepítés

▲ VESZÉLY



Többszörös veszély. A dokumentumnak ebben a fejezetében ismertetett feladatokat csak képzett szakemberek végezhetik el.

⁵ A Bluetooth® szövegjelölés és emblémák a Bluetooth SIG, Inc. tulajdonában lévő bejegyzett védjegyek, és ezek HACH általi bármely használata engedéllyel történik.

5.1 Lítium-akkumulátorral kapcsolatos biztonsági megfontolások

▲ FIGYELMEZTETÉS



Tűz- és robbanásveszély. A lítium akkumulátorok felmelegedhetnek, felrobbanhatnak vagy meggyulladhatnak, és súlyos sérülést okozhatnak nem megfelelő körülmények esetén.

- Ne használja az akkumulátort látható sérülés esetén.
- Ne használja az akkumulátort erős lökés vagy rázkódás után.
- Ne tegye ki az akkumulátort tűzveszélynek.
- Tartsa az akkumulátort 70 °C (158 °F) alatti hőmérsékleten.
- Tartsa az akkumulátort száraz, víztől távol eső helyen.
- Kerülje a pozitív és negatív akkumulátorterminálok érintkezését.
- Ne engedje, hogy illetéktelen személyek érjenek az akkumulátorhoz.
- Az akkumulátor megsemmisítését a helyi, regionális és nemzeti előírásokkal összhangban végezze.
- Ne tárolja a berendezést közvetlen napfénynek kitéve, hőforrás közelében vagy magas hőmérsékletű környezetekben, például közvetlen napfénynek kitétt gépkocsiban.

5.2 Az akkumulátor behelyezése

▲ FIGYELMEZTETÉS



Tűz- és robbanásveszély. A jelen készülék nagy energiájú lítium akkumulátort tartalmaz, amely meggyulladhat és tüzet vagy robbanást okozhat, még árammentes állapotban is. A műszerdoboz által nyújtott biztonság fenntartásához a műszerdoboz fedelét a mellékelt kötőelemekkel kell felszerelni és rögzíteni.

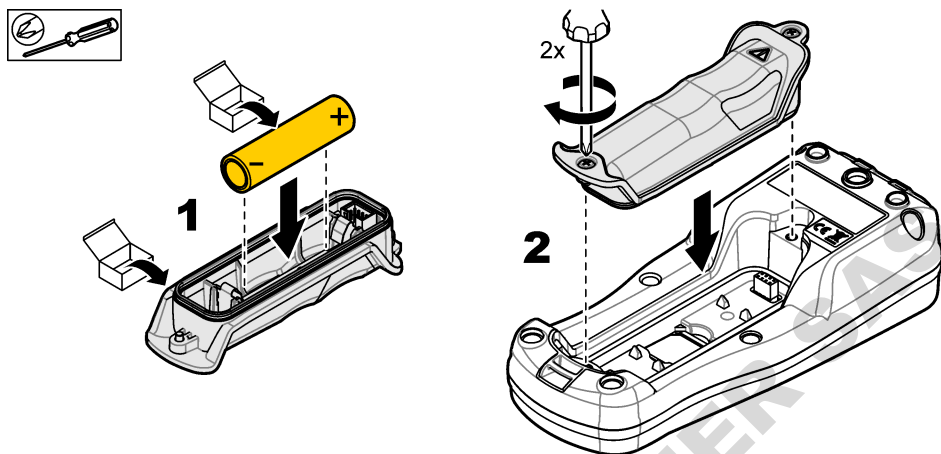
▲ FIGYELMEZTETÉS



Robbanás- és tűzveszély. Más akkumulátort nem szabad használni. Csak a készülék gyártójától kapott akkumulátorokat használja.

Kizárólag a gyártó által szállított lítium-ion akkumulátort használja. Az akkumulátor behelyezéséről és kivételéről lásd: [3. ábra](#).

3. ábra Akkumulátor behelyezése és kivétele



5.3 Az akkumulátor feltöltése

▲ VESZÉLY



Halálos áramütés veszélye. Ha a berendezést kültéren vagy nedves körülmények között használják, csakis földzárlati áram elleni (GFCI/GFI) védő kapcsolóval csatlakoztatható a fő áramforráshoz.

▲ FIGYELMEZTETÉS



Tűzveszély. Csak a jelen műszerhez előírt külső tápegységet használja.

▲ FIGYELMEZTETÉS



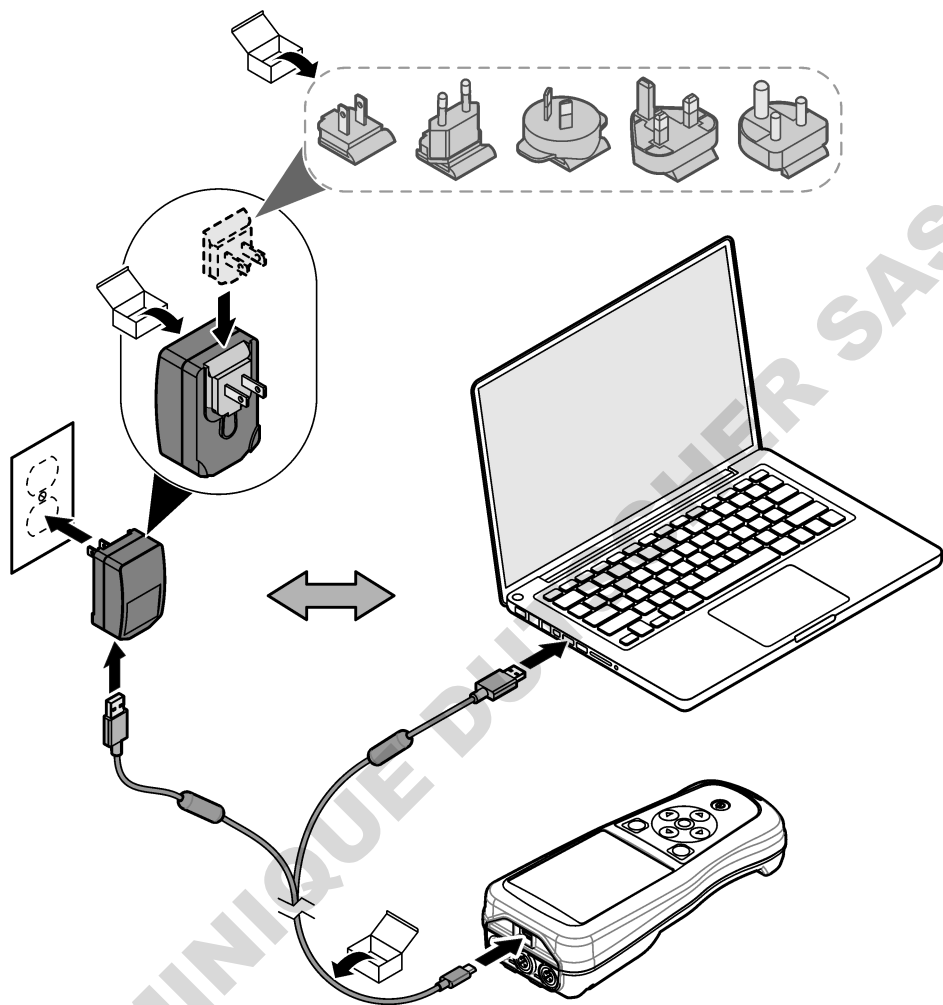
Áramütés veszélye. A külsőleg csatlakoztatott berendezésekhez a megfelelő országra jellemző szabványos biztonsági értékelést kell mellékelni.

MEGJEGYZÉS

A port tisztán tartása és a korrózió megelőzése érdekében mindig helyezze be az USB-portdugót, amikor a port nincs használatban. Ne töltsé az akkumulátort, ha az USB-port nedves, szennyezett vagy korrózió látható rajta. Lásd: [Az USB- és szondaport-dugók behelyezése](#) oldalon 277.

Az akkumulátor töltéséhez használja a mellékelt USB-kábelt és USB-adaptert vagy egy számítógépet. Lásd: [4. ábra](#). Amikor a készülék táphálózathoz kapcsolódik, és megnyomja a be- és kikapcsoló gombot, a zöld LED-jelzőfény világítani kezd. A felhasználó az akkumulátor töltése közben is működtetheti a készüléket. A lemerült akkumulátor feltöltéséhez az USB-adapter használatával, a készülék kikapcsolt állapotában körülbelül 5 óra szükséges. Mindig helyezze be az USB-portdugót, amikor az USB-port nincs használatban. Lásd: [Az USB- és szondaport-dugók behelyezése](#) oldalon 277.

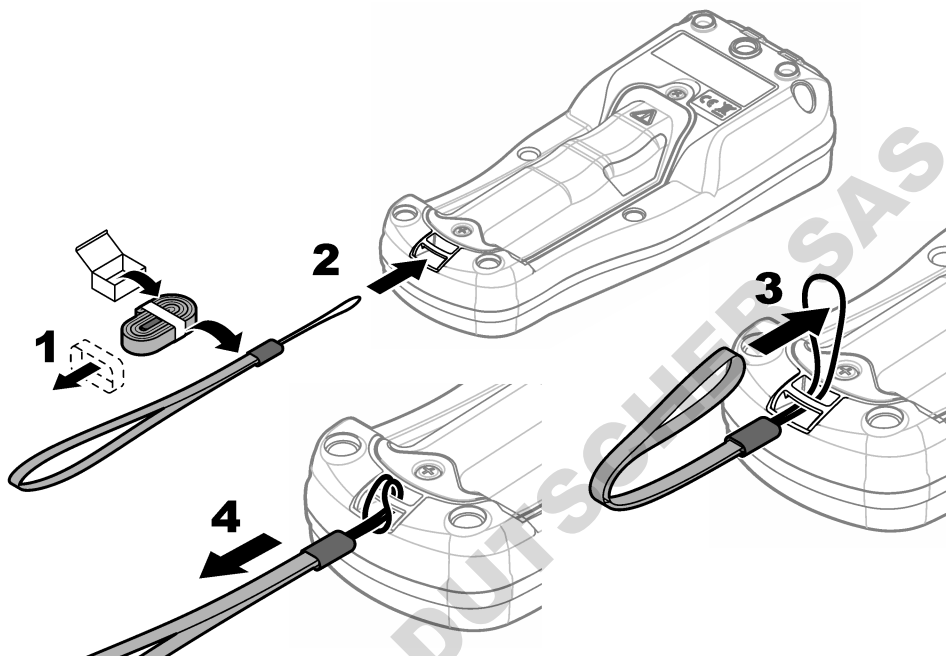
4. ábra A műszer csatlakoztatása az USB-adapterhez vagy egy számítógéphez



5.4 A pánt felszerelése

A csuklópánt felszerelésével biztonságosan tarthatja a műszert. Lásd: [5. ábra](#).

5. ábra A pánt felszerelése

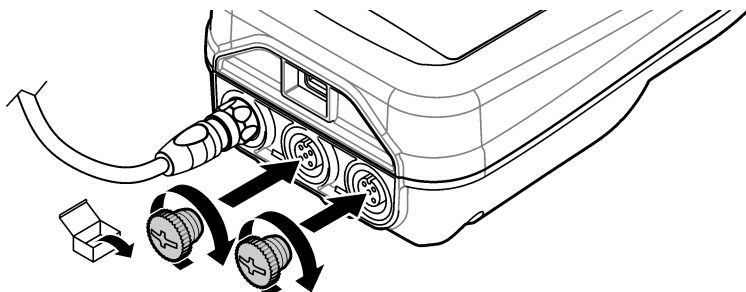


5.5 Az USB- és szondaport-dugók behelyezése

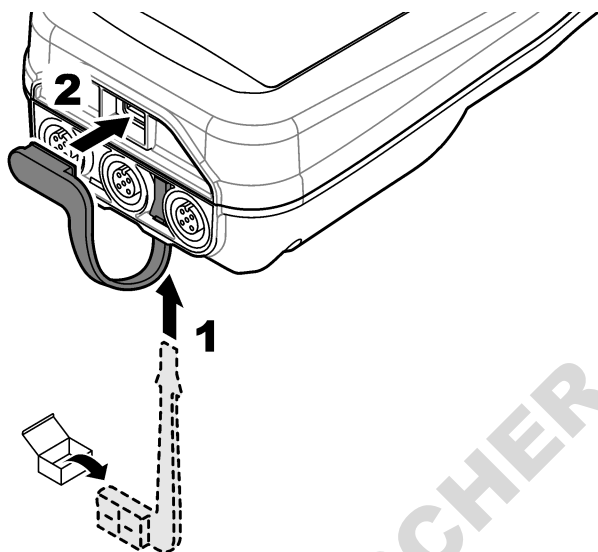
A portok tisztán tartása és a korrózió megelőzése érdekében mindig helyezze be az USB- és szondaportok dugóit, amikor a portok nincsenek használatban. A portdugókat az üres portokba kell behelyezni a műszerház ellenállósági besorolásának fenntartása érdekében. Lásd: [6. ábra](#) és [7. ábra](#).

Megjegyzés: [6. ábra](#) három szondaporttal rendelkező mérőt mutat be. Egyes mérőműszerek csak egy vagy két szondaporttal rendelkeznek.

6. ábra A portdugó behelyezése



7. ábra Az USB-portdugó behelyezése



Szakasz 6 Beindítás

6.1 A mérőműszer bekapcsolása

A mérőműszer bekapcsolásához nyomja meg a  gombot. Ha a mérőműszer nem kapcsol be, ellenőrizze, hogy az akkumulátor megfelelően van-e beszerelve, vagy a mérőműszer csatlakoztatva van-e az áramforráshoz. Lásd: [Az akkumulátor feltöltése](#) oldalon 275.

6.2 Nyelv kiválasztása

A mérőműszer első bekapcsolásakor vagy új akkumulátor behelyezésekor a kijelzőn a nyelv kiválasztása képernyő látható. Válassza ki a megfelelő nyelvet. A nyelvbeállítás a Settings (Beállítások) menüben is módosítható.

6.3 A dátum és az idő beállítása

A mérőműszer első bekapcsolásakor vagy új akkumulátor behelyezésekor a kijelzőn a dátum-idő képernyő látható. A dátum és az idő beállításához hajtsa végre az alábbi lépéseket.

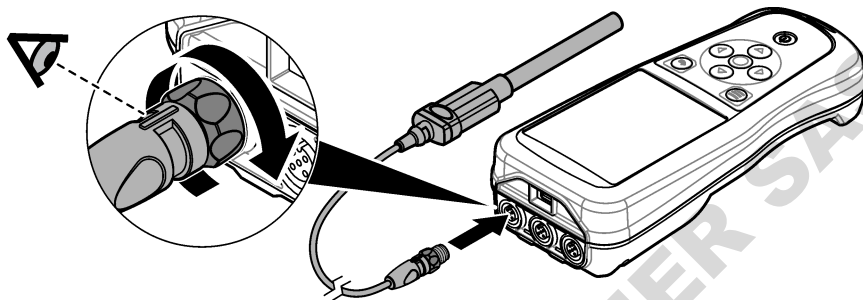
Megjegyzés: A dátum és az idő a Settings (Beállítások) menüpontban is módosítható.

1. A dátum formátumának kiválasztásához nyomja meg a fel vagy le nyíl gombot.
2. A jobb nyíl gomb megnyomásával lépjen a dátum és idő értékekre.
3. A fel és le nyíl gombokkal módosíthatja a dátumot és az időt.
4. A jobb nyíl gomb megnyomásával jelölje ki a Mentés elemet.
5. A beállítások mentéséhez válassza a Mentés lehetőséget.

6.4 Szondacsatlakoztatás

Ügyeljen arra, hogy a szonda csatlakoztatása előtt állítsa be a mérőműszeren az időt és a dátumot. A szonda időbélyegének beállítása akkor történik, amikor a szondát először csatlakoztatja a műszerhez. Az időbélyeg automatikusan rögzíti a szondaelőzményeket és a végrehajtott mérések időpontját. A szonda mérőműszerhez való csatlakoztatásáért lásd: [8. ábra](#).

8. ábra Szonda csatlakoztatása a mérőműszerhez



Szakasz 7 Kezelőfelület és navigálás

A bekapcsolást követően a kijelzőn a kezdőképernyő jelenik meg. Lásd: [Kezdőképernyő](#) oldalon 279. A billentyűzet segítségével válassza ki a rendelkezésre álló lehetőségeket és változtassa meg az értékeket. Lásd: [Keypad \(Billentyűzet\)](#) oldalon 281. A beállítások és egyéb menük megnyitásához használja a főmenüt. Lásd: [Főmenü](#) oldalon 282.

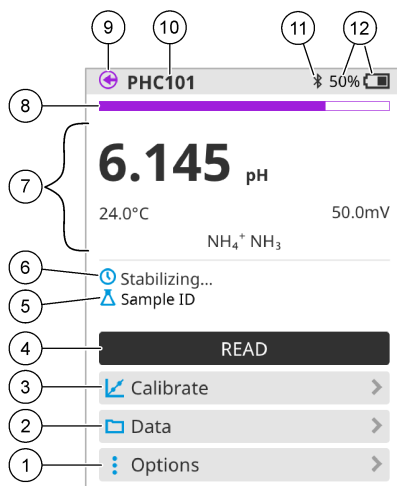
7.1 Kezdőképernyő

Ha a mérőműszer be van kapcsolva, és szonda van csatlakoztatva hozzá, a kijelzőn a kezdőképernyő látható. Lásd: [9. ábra](#). A HQ4100, HQ4200, HQ4300 típusok színes kijelzővel rendelkeznek. A két vagy három szondacsatlakoztató portot tartalmazó modellek esetén a képernyőn az összes csatlakoztatott szonda látható. Lásd: [10. ábra](#).

A kezdőképernyőről az alábbi műveletek érhetők el:

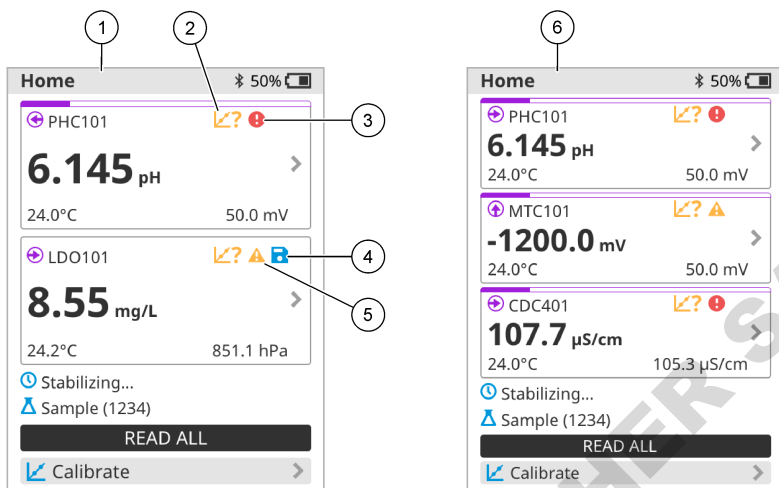
- Minták mérése
- Calibrate a probe (Szonda kalibrálása)
- Verify a calibration (Kalibrálás ellenőrzése)
- Set sample ID's (identification) (Mintaazonosítók beállítása (azonosítás))
- View and manage data (Adatok megtekintése és kezelése)
- Read step-by-step instructions (Részletes utasítások elolvasása)

9. ábra Kezdőképernyő példa – egy szonda



1 Beállítások menüpont: az utasítások és egyéb menük elérését teszi lehetővé	7 Mérés értékek számára fenntartott rész: megjeleníti a mért értéket, a hőmérsékletet és a mértékegységeket
2 Adatok menüpont: hozzáférést biztosít az adatok megtekintéséhez és kezeléséhez	8 Mérés stabilitás állapotjelzője: a mérés állapotát mutatja
3 Kalibrálás gomb: elindítja a kalibrálást	9 Intellical szondacsatlakoztató port: a csatlakoztatott szonda portjának helyét jeleníti meg
4 Leolvasás gomb: beolvassa a minta vagy a standard oldat értékét	10 Intellical szonda neve: a csatlakoztatott szonda típusnevét jeleníti meg
5 Sample ID (Mintaazonosító): megjeleníti a mért minta nevét	11 Bluetooth® ikon (telepített Hach kommunikációs hardverkulcs esetén): jelzi, ha a Bluetooth-kapcsolat aktív
6 Üzenetek számára fenntartott terület: megjeleníti a mérés állapotát, a mintaazonosítót, a hibákat és a figyelmeztetéseket	12 Akkumulátor töltöttségjelzője: az akkumulátor töltöttségének százalékos értékét mutatja

10. ábra Kezdőképernyő példa – két vagy három szonda

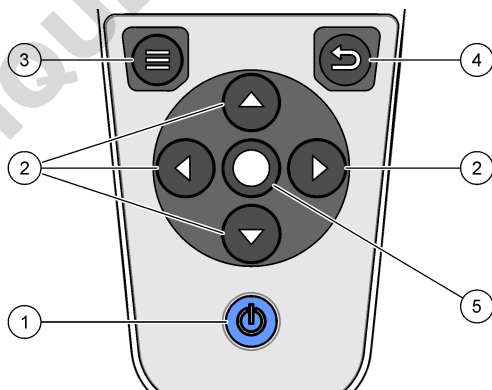


1 Kezdőképernyő két szondával	4 Mentés ikon: a mérési adatok az adatnaplóban vannak
2 Kalibrálás ikon: azt jelzi, hogy a kalibrálás nem volt érvényes vagy lejárt	5 Figyelmeztető ikon (lásd: Hibaelhárítás oldalon 287)
3 Hiba ikon (lásd: Hibaelhárítás oldalon 287)	6 Kezdőképernyő három szondával

7.2 Keypad (Billentyűzet)


A billentyűzet leírásáért lásd: [11. ábra](#).

11. ábra A gombok ismertetése

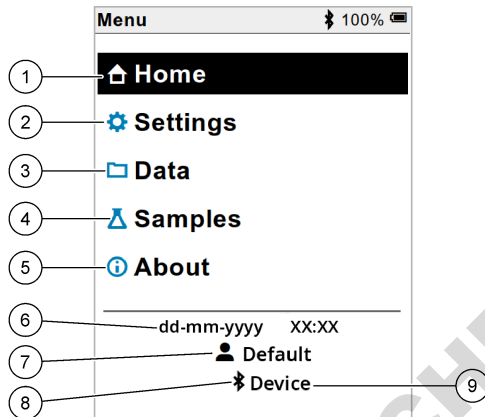


1 Be- és kikapcsoló gomb	4 Vissza gomb
2 Navigációs nyilak	5 Kiválaszt gomb
3 Menü gomb	

7.3 Főmenü

Nyomja meg a  gombot, hogy a főmenübe lépjen. Lásd: 12. ábra.

12. ábra Főmenü leírása



1	Kezdőképnyő/Kezdőképnyő	4	Sample ID (Mintaazonosító) menü	7	Felhasználói azonosító
2	Beállítások menü	5	A mérőműszer képernyőjének áttekintése	8	Bluetooth® ikon (telepített HCD esetén)
3	Adatok menü	6	Dátum és idő	9	Bluetooth® készülék azonosítója (telepített HCD esetén)

Szakasz 8 Működés

Ez a fejezet a műszer általános üzemeltetésére vonatkozó utasításait tartalmazza. A részletesebb utasításokért olvassa el a mérőműszer képernyőjén megjelenő utasításokat vagy a szonda felhasználói kézikönyvét.

8.1 Minták mérése


Az alábbi általános lépések a mérőműszerrel történő mintamérés lépéseit ismertetik.

1. Válassza ki a mérési módot. Lásd: [A mérőbeállítások](#) oldalon 284.
2. Készítse elő mérésre a mintát. Kövesse a mérőműszer képernyőjén megjelenő vagy a szonda felhasználói kézikönyvében található utasításokat.
3. Végezzen mérést a mintán az alábbiak szerint:
 - **„Push to read” üzemmód:** A minta méréséhez válassza a Leolvasás (vagy Összes leolvasása) lehetőséget. A mérőműszer automatikusan elmenti az értéket.
 - **Intervallum üzemmód:** A mérések elindításához válassza a Start (Indítás) (vagy a Start all (Összes indítása)) lehetőséget. A mérőműszer automatikusan mérést végez a mintán és a megadott időközönként elmenti az értékeket. A mérések leállításához válassza a Stop (Leállítás) (vagy a Stop all (Összes leállítás)) lehetőséget.
 - **Folyamatos üzemmód:** A mérőműszer folyamatosan méri a minta értékét. A képernyőn megjelenő érték mentéséhez válassza a Mentés (vagy a Save all (Összes mentése)) lehetőséget.

Az egyes méréseket követően a kijelzőn megjelenik az eredmény. Ha a rendszer menti az eredményt az adatnaplóba, a kijelzőn a mentés ikon látható.

8.2 Calibrate a probe (Szonda kalibrálása)

Az alábbi általános lépések a szondák mérőműszerrel történő kalibrálását ismertetik. A kalibrálási beállítások módosításáért lásd: [Szonda beállítása](#) oldalon 285.

1. A kezdőképernyőn válassza a  Kalibrálás lehetőséget. Ha egynél több szonda van csatlakoztatva, válassza ki a kalibrálni kívánt szondát. A kijelzőn a kalibráláshoz használandó oldat(ok) látható(k).
2. Készítse elő a puffereket vagy a standard oldatokat a kalibráláshoz. Kövesse a mérőműszer képernyőjén megjelenő vagy a szonda használati útmutatójában található utasításokat.
3. A kalibrálás megkezdéséhez válassza a Leolvasás lehetőséget. A mérőműszer megméri a kalibrációs oldat értékét. A mérés befejezését követően a kijelzőn megjelenik az eredmény.
4. Adott esetben a többi puffer vagy standard oldat értékének méréséhez válassza a Leolvasás lehetőséget. A kalibrálás mentéséhez válassza a Mentés lehetőséget.


Megjegyzés: Ha a kalibrálás sikertelen, olvassa el a mérőműszer kijelzőjén megjelenő vagy a szonda felhasználói kézikönyvében található hibaelhárítási utasításokat.

8.3 Kalibrálás ellenőrzése

Az alábbi általános lépések a szondák kalibrálásának mérőműszerrel történő ellenőrzését ismertetik. A verifikálásra vonatkozó beállítások módosításáért lásd: [Szonda beállítása](#) oldalon 285.

1. A kezdőképernyőn válassza az Beállítások > Kalibrálás verifikálása lehetőséget. A kijelzőn a verifikáláshoz használandó puffer vagy standard oldat látható.


Megjegyzés: Ha egynél több szonda van csatlakoztatva, válassza ki az ellenőrizni kívánt szondát.

2. Készítse elő a puffert vagy a standard oldatot a verifikáláshoz. Kövesse a mérőműszer képernyőjén megjelenő vagy a szonda használati útmutatójában található utasításokat.
3. A verifikálás megkezdéséhez válassza a Leolvasás lehetőséget. A mérőműszer megméri a verifikáló oldat értékét. A mérés befejezését követően a kijelzőn megjelenik az eredmény.
4. Ha a verifikálás sikeres , az eredmény mentéséhez válassza a Mentés lehetőséget.

Megjegyzés: Ha a verifikálás sikertelen, olvassa el a mérőműszer kijelzőjén megjelenő vagy a szonda felhasználói kézikönyvében található hibaelhárítási utasításokat.

8.4 Mintaazonosító hozzáadása a mérési adatokhoz


A készülék a tárolt mérési adatok mellé képes rögzíteni a mintaazonosítót (ID). Adjon meg több mintanevet a műszerben, majd a minták mérése előtt válassza ki a megfelelő mintanevet. A műszer sorszámmal látja el az azonos nevű mintákat, például „Minta neve (2)”.

1. Nyomja meg a  gombot, majd válassza a Minták (Minták) lehetőséget.
2. Válasszon beállítást.

Opció	Leírás
Minta	A mérésekhez menteni kívánt mintanév kiválasztására szolgál.
Új minta létrehozása	Megnyitja az új mintanevek hozzáadására szolgáló képernyőt. A mintanév betűket és számokat is tartalmazhat.
Minták törlése	A mintanevek törlésére szolgál.

8.5 Felhasználói azonosító hozzáadása a tárolt adatokhoz

A készülék a tárolt adatok mellé képes rögzíteni a felhasználónevet (ID). Adjon meg több felhasználónevet a műszerben, majd a kalibrálások vagy mérések megkezdése előtt válassza ki a megfelelő felhasználónevet.

1. Nyomja meg a  gombot, majd válassza a Beállítások lehetőséget. A képernyőn megjelennek a beállítási lehetőségek.
2. Válassza ki a Felhasználók lehetőséget.
3. Válasszon beállítást.

Opció	Leírás
Felhasználó	A felhasználónév kiválasztására szolgál. A kiválasztott felhasználónév megjelenik a főmenü képernyőn, és a rendszer a tárolt adatokkal együtt elmenti.
Új felhasználó létrehozása	Megnyitja az új felhasználónevek hozzáadására szolgáló képernyőt. A felhasználónév betűket és számokat is tartalmazhat.
Felhasználók törlése	Felhasználónevek törlésére szolgál.

Szakasz 9 A mérőbeállítások

Végezze el a következő lépéseket a mérő általános beállításainak megváltoztatásához.

Megjegyzés: A jelszavas védelem megakadályozhatja egyes menük elérését. A hozzáférés-szabályozással kapcsolatos információkat lásd az online felhasználói kézikönyvben.

1. Nyomja meg a  gombot, majd válassza a Beállítások lehetőséget. A képernyőn megjelennek a beállítási lehetőségek.
2. Válasszon beállítást.


Opció	Leírás
[Szonda neve]	Megváltoztatja a szonda-specifikus beállításokat a mérésekhez, a kalibráláshoz és az ellenőrzéshez. Lásd: Szonda beállítása oldalon 285, hogy megváltoztassa a csatlakoztatott szonda beállításait.
Mérési mód	A mérések megkezdésének beállítása. Opciók: Nyomja meg a leolvasáshoz, Folyamatos vagy a Intervallum leolvasását. Nyomja meg a leolvasáshoz olvasást: A mintát csak akkor méri, ha a Leolvasás tolásra kerül. Az adatok automatikusan mentésre kerülnek az adatnaplóba, ha a stabilitási kritériumok teljesülnek. Intervallum: A mintát rendszeres időközönként méri egy meghatározott időtartamra. Az adatokat az adatnapló automatikusan tárolja. Folyamatos: A mérő folyamatosan méri a minta értékét. Az adatokat csak akkor menti az adatnaplóba, amikor a felhasználó a Mentés lehetőséget választja.
Hőmérséklet	A hőmérsékleti egységeket ° C vagy ° F értékre állítja.
Kijelző	Megváltoztatja a kijelző beállításait. Opciók: Fényerő, Háttérvilágítás és Leállítás. Fényerő: Megváltoztatja a háttérvilágítás intenzitását. Opciók: 10–100% (alapértelmezett: 50%). Háttérvilágítás: Kikapcsolja a háttérvilágítást, ha a mérőt egy meghatározott ideig nem használja. Opciók: 15 másodperc, 30 másodperc, 1 perc, 5 perc vagy Soha. Leállítás: Kikapcsolja a mérőt, ha a mérőt egy meghatározott ideig nem használja. Opciók: 1 perc, 2 perc, 5 perc, 10 perc, 30 perc, 1 óra, 2 óra vagy Soha.
Hang	Beállítja a mérőt, hogy hangot adjon gombnyomások vagy értesítések közben. Opciók: Gombnyomás, Stabilitási riasztás, Emlékeztető, Hiba/figyelmeztető jelzés vagy (akkumulátor) Töltés kész .
Felhasználók	Kiválaszt egy felhasználót, új felhasználót vesz fel, vagy egy felhasználót töröl.
Dátum és idő	Beállítja a dátum / idő formátumát, a dátumot és az időt a mérőben.

Opció	Leírás
Nyelv	Beállítja a mérő nyelvét.
Hozzáférés	Jelszót állít be, hogy megakadályozzon hozzáférést a szonda beállításaihoz, néhány mérőbeállításához (mérési mód, hőmérséklet, nyelv) és a szoftverfrissítésekhez. A jelszó nélküli felhasználó nem törölheti a beállításokat vagy az adatokat, ha a hozzáférés-vezérlés be van kapcsolva.
Diagnosztika	Diagnosztikai fájlt készít technikai támogatásért vagy szolgáltatásért műszaki probléma esetén. A felhasználónak csatlakoztatnia kell a mérőt a számítógéphez, hogy megkapja a fájlt.

Szakasz 10 Szonda beállítása

A szonda mérőműszerhez történő csatlakoztatásakor a felhasználó módosíthatja a szonda mérésekre, kalibrálásokra és verifikálásokra vonatkozó beállításait. A csatlakoztatott szonda beállításainak eléréséhez kövesse az alábbi lépéseket. A beállítások teljes leírása a mérőműszer online felhasználói kézikönyvében található.

Megjegyzés: A jelszavas védelem megakadályozhatja egyes menük elérését. A biztonsági beállításokkal kapcsolatos információkért olvassa el az online felhasználói kézikönyvet.


1. Nyomja meg a  gombot, majd válassza a Beállítások lehetőséget. A képernyőn megjelennek a beállítási lehetőségek.
2. Válassza ki a szonda nevét.
3. Válassza ki a megfelelő opciót: Mérés, Kalibráció vagy Verifikálás.

Szakasz 11 Adatkezelés

A mérőműszer a következő módon menti a minták méréséből, kalibrálásokból és verifikálásokból származó adatokat:

- Mintamérések – Ha a mérési üzemmód „Push to read” vagy Intervallum üzemmódra van állítva, a mérőműszer automatikusan elmenti a mért mintaadatokat. Ha a mérési mód Folyamatos üzemmódra van állítva, a mért mintaadatok mentéséhez a felhasználónak ki kell választania a Save (Mentés) lehetőséget. A kezdőképernyőn a mentés ikon jelzi, ha a mért mintaadat az adatnaplóban vannak.
- Kalibrációs adatok – A kalibrációs adatok mentéséhez a felhasználónak ki kell választania a Save (Mentés) lehetőséget. A kalibrációs adatok a mérőműszerben és az Intellical szondában egyaránt mentésre kerülnek.
- Verifikálási adatok – A verifikálási adatok mentéséhez a felhasználónak ki kell választania a Save (Mentés) lehetőséget.

Az adatok megtekintéséhez, exportálásához vagy törléséhez hajtsa végre az alábbi lépéseket.

1. Nyomja meg a  gombot, majd válassza a Adatok lehetőséget vagy válassza a kezdőképernyőről a Adatok lehetőséget.
2. Válasszon beállítást.

Opció	Leírás
Adatok megtekintése	Megjeleníti az adatnaplóban lévő adatokat. Elsőként a legfrissebb adatok láthatók. További adatok megtekintéséhez nyomja meg a le nyíl gombot. A kalibrációs ikon azt jelzi, hogy az adattípus kalibrációs adat. A verifikálás ikon azt jelzi, hogy az adattípus hitelesítési adat. Egy adatpont további részleteinek megtekintéséhez válasszon ki egy adatsort, majd nyomja meg a jobb nyíl gombot. Szűrő alkalmazásához, valamint a csak szűrt adatok megjelenítéséhez nyomja meg a bal nyíl gombot, majd válasszon egy paramétert, adattípust vagy dátumtartományt.

Opció	Leírás
Adatok exportálása	<p>Az adatnaplóban szereplő összes adatról másolatot küld a csatlakoztatott számítógépre vagy USB-eszközre. A műszer számítógéphez való csatlakoztatásáért lásd: 4. ábra oldalon 276. A műszer szabványos USB-eszközhöz való csatlakoztatásához használjon mikro-USB – USB Type A adaptert. Alternatív megoldásként használjon mikro-USB csatlakozóval rendelkező USB-eszközt.</p> <p>A műszer számítógéphez való csatlakoztatásakor megnyílik egy „HQ-Series” nevű meghajtóra vonatkozó fájlkezelő ablak. Bontsa ki a meghajtót, és keresse meg a mérőműszer nevével és sorozatszámával ellátott almappát. Az adatfájl .csv fájként látható, a fájl neve pedig a dátum és az idő. Mentse el a .csv fájlt a számítógépen.</p> <p>Megjegyzés: Ha a fájlkezelő ablak nem nyílik meg automatikusan, nyisson meg egy fájlkezelő ablakot, és keresse meg a „HQ-Series” nevű meghajtót.</p>
Kalibrálási előzmények	Megjeleníti a csatlakoztatott szonda aktuális és korábbi kalibrációs adatait.
Adatok törlése	Törli az összes adatot az adatnaplóból. A jelszavas védelem megakadályozhatja az adattörlés opció megnyitását.

Szakasz 12 Karbantartás

▲ VIGYÁZAT



Többszörös veszély. A dokumentumnak ebben a fejezetében ismertetett feladatokat csak képzett szakemberek végezhetik el.

12.1 A berendezés tisztítása

Tisztítsa meg a készülék külsejét nedves ruhával és enyhe szappanos oldattal, majd szükség szerint törölje szárazra.

12.2 Akkumulátorcsere

Ha az akkumulátor nem tölt fel vagy nem tartja meg a töltést, cserélje ki az akkumulátort. Kizárólag a gyártó által biztosított akkumulátort és töltőt használja. Lásd: [Az akkumulátor behelyezése](#) oldalon 274.



12.3 Előkészítés szállításra

A készülék lítium-ion akkumulátort tartalmaz, amelyre a veszélyes anyagokra érvényes szabályozások vonatkoznak, így a készülék szállításakor minden esetben meg kell felelni a veszélyes árukra vonatkozó előírásoknak. A készülék javítás vagy karbantartás céljából történő elküldéséhez kövesse az alábbi lépéseket:

- Szállítás előtt válassza le a szondákat.
- Tisztítsa meg és fertőtlenítsa a műszert a szállítás előtt.
- A maximális biztonság érdekében a készüléket a lítium-ion akkumulátor nélkül küldje el. Ha az akkumulátort is el kell küldeni, tartsa az akkumulátort a házban, de ne csatlakoztassa a műszerhez. Az elektromosan vezető anyagokkal (pl. fémekkel) való érintkezés elkerülése érdekében a házban lévő akkumulátort helyezze külön csomagolásba.
- A műszert az eredeti csomagolásában küldje el, ha ez nem lehetséges, válasszon biztonságos csomagolást.

Szakasz 13 Hibaelhárítás

13.1 A képernyőn megjelenő hibaelhárítási utasítások felhasználása

A kezelőfelületen hibaelhárítási utasítások jelennek meg, amelyek segítenek a mérések, kalibrálások vagy verifikálások során esetlegesen felmerülő problémák megoldásában. Probléma esetén a kijelzőn megjelenik a hiba  vagy a figyelmeztetés  ikon, valamint a probléma rövid leírása. A probléma megoldásához javasolt eljárások megtekintéséhez nyomja meg a jobb nyíl gombot.

Szakasz 14 Cserealkatrészek

FIGYELMEZTETÉS



Személyi sérülés veszélye. A nem jóváhagyott alkatrészek használata személyi sérüléshez, a műszer károsodásához vagy a berendezés meghibásodásához vezethet. Az ebben a fejezetben található cserealkatrészek a gyártó által jóváhagyott alkatrészek.

Megjegyzés: A termék- és cikkszámok értékesítési régióként eltérhetnek. Lépjen kapcsolatba a megfelelő viszonteladóval, vagy látogasson el a cég honlapjára a kapcsolattartási tudnivalókért.

Cserealkatrészek

Leírás	Cikksz.
Akkumulátor, lítium-ion, 18650, 3200 mAh, angol nyelvű	LEZ015.99.00001
Akkumulátor, lítium-ion, 18650, 3100 mAh, kínai nyelvű	LEZ015.80.00001
Kábel, USB 2.0 type A (dugó) – mikro type B (dugó), 0,91 m (3 láb)	LEZ015.99.00002
Hordtáska a standard szondák számára	LEZ015.99.A001A
Hordtáska a Rugged ellenálló szondák számára	LEZ015.99.A002A
Csuklópánt és porvédő dugók	LEZ015.99.A005A
Kitámasztó csuklópánttal	LEZ015.99.A003A
Védőkesztyű	LEZ015.99.A004A
USB tápadapter, 5 V DC, 2 A, 100–240 V AC, Egyesült Államok	LEZ015.99.00006
USB tápadapter, 5 V DC, 2 A, 100–240 V AC, EU + UK	LEZ015.99.00004
USB-tápadapter, 5 V DC, 2 A, 100–240 V AC, Kína	LEZ015.99.00005
USB tápadapter, 5 V DC, 2 A, 100–240 V AC, ROW	LEZ015.99.00007

Cuprins

- | | |
|---|---|
| 1 Manual de utilizare online de la pagina 288 | 8 Funcționarea de la pagina 301 |
| 2 Prezentarea generală a produsului de la pagina 288 | 9 Setări aparat de la pagina 303 |
| 3 Specificații de la pagina 289 | 10 Setări sondă de la pagina 304 |
| 4 Informații generale de la pagina 290 | 11 Gestionarea datelor de la pagina 304 |
| 5 Instalarea de la pagina 292 | 12 Întreținerea de la pagina 305 |
| 6 Pornirea sistemului de la pagina 297 | 13 Depanare de la pagina 305 |
| 7 Interfața cu utilizatorul și navigarea de la pagina 298 | 14 Piese de schimb de la pagina 306 |

Secțiunea 1 Manual de utilizare online

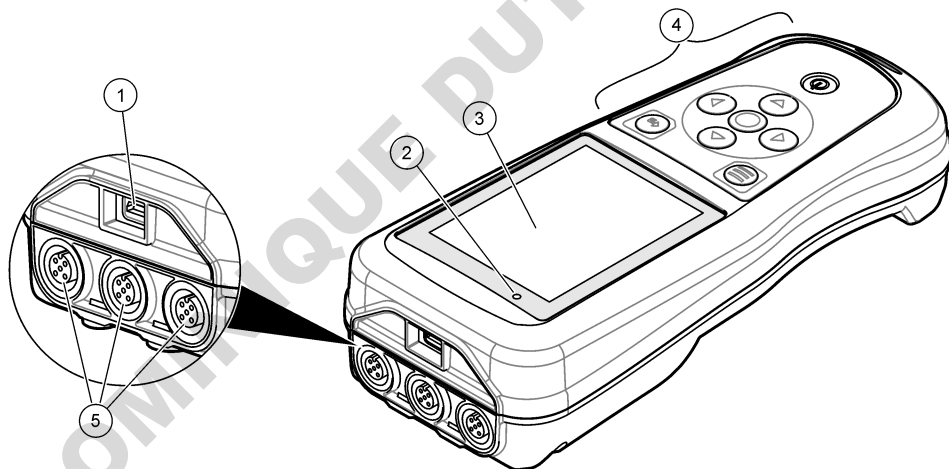
Acest manual de utilizare de bază conține mai puține informații decât manualul de utilizare, care este disponibil pe site-ul web al producătorului.

Secțiunea 2 Prezentarea generală a produsului

Aparatele de măsurare portabile seria HQ sunt utilizate cu sondele digitale Intellical pentru a măsura unul sau mai mulți parametri privind calitatea apei. Consultați [Figura 1](#). Aparatul de măsurare recunoaște automat tipul de sondă conectat. Aparatul de măsurare se poate conecta la un PC sau un dispozitiv de stocare USB pentru a transfera datele salvate pe aparatul de măsurare. Dongle-ul de comunicare Hach (HCD) opțional conectează aparatul de măsurare la Claros.

Aparatele de măsurare portabile seria HQ sunt disponibile în opt modele. [Tabelul 1](#) afișează tipurile de sonde care se pot conecta la fiecare model.

Figura 1 Prezentarea generală a produsului



1 Conector micro USB	4 Tastatura
2 Indicator cu LED	5 Poturi pentru sonda Intellical (opțiune cu trei porturi pentru sonde afișată)
3 Afișaj	

Tabelul 1 Modele de aparate de măsurare seria HQ

Model de aparat de măsurare	Conectori ai sondelor	pH/mV/ORP ¹ sonde	LDO/LBOD ² sonde	Conductivitate ³ sonde	ISE ⁴ sonde
HQ1110	1	✓			
HQ1130	1		✓		
HQ1140	1			✓	
HQ2100	1	✓	✓	✓	
HQ2200	2	✓	✓	✓	
HQ4100	1	✓	✓	✓	✓
HQ4200	2	✓	✓	✓	✓
HQ4300	3	✓	✓	✓	✓

Secțiunea 3 Specificații

Caracteristicile tehnice pot fi modificate fără notificare prealabilă.

Caracteristică tehnică	Detalii
Dimensiuni (Lungime X Lățime X Înălțime)	22 x 9,7 x 6,3 cm (8,7 x 3,8 x 2,5 in.)
Masă	HQ1110, HQ1130, HQ1140 și HQ2100: 519 g (18,3 oz); HQ2200: 541 g (19,1 oz); HQ4100: 530 g (18,7 oz); HQ4200: 550 g (19,4 oz); HQ4300: 570 g (20,1 oz)
Clasă carcasă	IP67 cu compartiment pentru baterii instalat
Cerințe de alimentare (internă)	Baterie litiu-ion reîncărcabilă 18650 (diametru de 18 mm x lungime de 65 mm, cilindrică), 3,7 V c.c., 3200 mAh; Durata de funcționare a bateriei: > 1 săptămână în condiții obișnuite de utilizare (10 citiri/zi, 5 zile/săptămână în modul Continuu sau Apăsare pentru a citi sau > 24 de ore în modul Interval cu intervale de 5 minute și un cronometru de oprire ≤ 15 minute)
Cerințe de alimentare (externă)	Adaptor de alimentare USB, Clasa II: 100 – 240 V c.a., intrare de 50/60 Hz; 5 V c.c. la ieșirea adaptorului de alimentare USB tip 2 A
Clasă de protecție a aparatului de măsurare	IEC Clasa III (SELV (tensiune extrem de joasă de siguranță/separată) acționată); adaptor de alimentare USB este IEC Clasa II (cu izolație dublă)
Temperatură de funcționare	de la 0 la 60 °C (de la 32 la 140 °F)
Temperatură de încărcare	10 până la 40 °C (50 până la 104 °F)
Umiditate de funcționare	90% (fără condens)
Temperatură de depozitare	-20 până la 60 °C (-4 până la 140 °F), umiditate relativă de maxim 90 % (fără condens)
Conectorul sondei	Conector M12 cu 5 pini pentru sonde Intellical
Conector micro USB	Conectorul micro USB permite conectivitatea cablului USB și a adaptorului de alimentare USB.

¹ Sondele pH/mV/ORP includ temperatura

² Sondele LDO/LBOD includ temperatura

³ Sondele de conductivitate includ salinitatea, TDS (solide dizolvate complet), rezistivitatea, temperatura

⁴ Sondele cu ion selectiv, cum ar fi amoniacul, azotatul, clorura, fluorura, sodiu

Caracteristică tehnică	Detalii
Jurnal de date (intern)	Seria HQ1000: 5 000 puncte de date; Seria HQ2000: 10 000 puncte de date; Seria HQ4000: 100 000 puncte de date
Stocarea datelor	Stocare automată în modurile Apăsare pentru a citi și Interval. Stocare manuală în modul Continuu.
Exportul datelor	Conexiune USB la PC sau dispozitiv de stocare USB (limitat la capacitatea dispozitivului de stocare)
Corecția de temperatură	Dezactivată, automată și manuală (specific parametrilor)
Certificări	Verificat CE, UKCA, FCC, ISED, RCM, KC, ETL: eficiență energetică US DOE/NRCan, RoHS
Garanție	Seria HQ1000 și HQ2000: 1 an (SUA), 2 ani (UE); Seria HQ4000: 3 ani (SUA), 3 ani (UE)

Secțiunea 4 Informații generale

În niciun caz producătorul nu este responsabil pentru daunele provocate de utilizarea incorectă a produsului sau de nerespectarea instrucțiunilor din manual. Producătorul își rezervă dreptul de a efectua modificări în acest manual și produselor pe care le descrie, în orice moment, fără notificare sau obligații. Edițiile revizuite pot fi găsite pe site-ul web al producătorului.

4.1 Informații referitoare la siguranță

Producătorul nu este responsabil pentru daunele cauzate de utilizarea incorectă a acestui produs, inclusiv și fără a se limita la daunele directe, accidentale sau pe cale de consecință și neagă responsabilitatea pentru astfel de daune în măsura maximă permisă de lege. Utilizatorul este unicul responsabil pentru identificarea riscurilor critice și pentru instalarea de mecanisme corespunzătoare pentru protejarea proceselor în cazul unei posibile defectări a echipamentului.

Citiți în întregime manualul înainte de a despacheta, configura și utiliza aparatul. Respectați toate atenționările de pericol și avertismentele. Nerespectarea acestei recomandări poate duce la vătămări serioase ale operatorului sau la deteriorarea echipamentului.

Verificați dacă protecția cu care este prevăzută aparatul nu este defectă. Nu utilizați sau nu instalați aparatul în niciun alt mod decât cel specificat în prezentul manual.

4.2 Informații despre utilizarea produselor periculoase

▲ PERICOL

Indică o situație periculoasă în mod potențial sau iminent care, dacă nu este evitată, va avea ca rezultat decesul sau vătămarea corporală gravă.

▲ AVERTISMENT

Indică o situație periculoasă în mod potențial sau iminent care, dacă nu este evitată, poate conduce la deces sau la o vătămare corporală gravă.

▲ ATENȚIE

Indică o situație periculoasă în mod potențial care poate conduce la o vătămare corporală minoră sau moderată.

NOTĂ

Indică o situație care, dacă nu este evitată, poate provoca defectarea aparatului. Informații care necesită o accentuare deosebită.

4.3 Etichete de avertizare

Citiți toate etichetele și avertismentele cu care este prevăzut instrumentul. În caz de nerespectare se pot produce vătămări personale sau avarieri ale instrumentului. Toate simbolurile de pe instrument sunt menționate în manual cu câte o afirmație de avertizare.

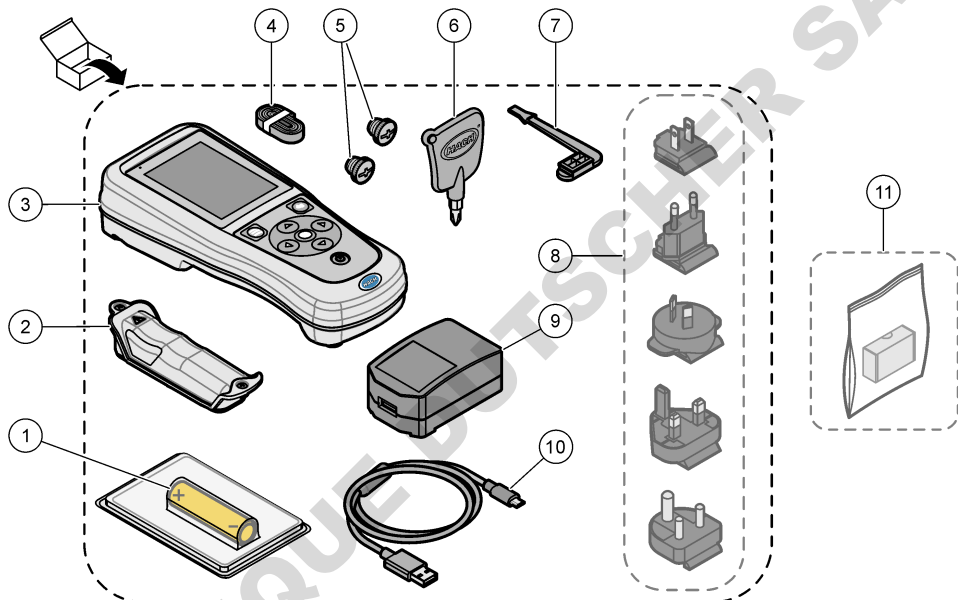


Echipamentele electrice inscripționate cu acest simbol nu pot fi eliminate în sistemele publice europene de deșeuri. Returnați producătorului echipamentele vechi sau la sfârșitul duratei de viață în vederea eliminării, fără niciun cost pentru utilizator.

4.4 Componentele produsului

Asigurați-vă că ați primit toate componentele. Consultați **Figura 2**. Dacă oricare dintre elemente lipsește sau este deteriorat, contactați imediat fie producătorul, fie un reprezentant de vânzări.

Figura 2 Componentele produsului



1 Baterie cu litiu-ion reîncărcabilă	7 Fișă pentru portul USB
2 Compartiment pentru baterii	8 Fișe de rețea opționale
3 Aparat de măsurare	9 Adaptor de alimentare USB
4 Șnur pentru gât	10 Cablu USB, tipul A până la micro, 1 m (3,3 ft)
5 Dopuri pentru conectorul sondei	11 Dongle de comunicare Hach (HCD) opțional
6 Șurubelniță (nr. 1 Philips)	

4.5 Certificare

Reglementările canadiene privind echipamentele care produc interferențe radio, IECS-003, clasa B:

Înregistrările testelor relevante se află la producător.

Acest aparat digital de clasă B întrunește toate cerințele reglementărilor canadiene privind echipamentele care produc interferențe.

Cet appareil numérique de classe B répond à toutes les exigences de la réglementation canadienne sur les équipements provoquant des interférences.

FCC Partea 15, limite pentru clasa „B”

Înregistrările testelor relevante se află la producător. Acest dispozitiv este conform cu Partea 15 din Regulile FCC. Funcționarea se supune următoarelor condiții:

1. Este posibil ca echipamentul să nu genereze interferențe dăunătoare.
2. Echipamentul trebuie să accepte orice interferențe recepționate, inclusiv interferențe care pot provoca funcționare nedorită.

Schimbările sau modificările aduse acestui echipament care nu sunt în mod expres aprobate de partea responsabilă pentru respectarea standardelor, pot conduce la anularea autorității utilizatorului de a folosi acest aparat. Acest aparat a fost testat și s-a constatat că respectă limitele pentru aparate digitale de clasă B, conform Părții 15 a Regulilor FCC. Aceste limite sunt stabilite pentru a asigura o protecție rezonabilă împotriva interferențelor dăunătoare atunci când aparatura este exploatată în condiții comerciale. Acest echipament generează, folosește și poate radia energie cu frecvență radio și, dacă nu este instalat și folosit în conformitate cu manualul de instrucțiuni, poate cauza interferențe dăunătoare asupra comunicațiilor radio. Este probabil ca exploatarea acestui echipament într-o zonă rezidențială să producă interferențe dăunătoare, caz în care utilizatorului i se va solicita să remedieze interferența pe propria cheltuială. Pentru a reduce problemele de interferențe, pot fi utilizate următoarele tehnici:

1. Depărtați echipamentul de dispozitivul care recepționează interferențe.
2. Repoziționați antena de recepție a dispozitivului afectat de interferență.
3. Încercați combinații ale soluțiilor de mai sus.

4.6 Dongle de comunicare Hach (opțional)

Dongle-ul de comunicare Hach (HCD) opțional utilizează Bluetooth® Nivel scăzut de energie pentru comunicarea cu Claros. Urmăriți toate indicațiile și avertismentele producătorului pentru a instala și opera dispozitivul. Consultați documentația care este furnizată cu HCD.

4.7 Domeniu de utilizare

⚠ ATENȚIE



Pericol de expunere chimică. Respectați procedurile de siguranță în laborator și purtați toate echipamentele de protecție personală adecvate pentru substanțele chimice care sunt manipulate. Consultați fișele tehnice de siguranță (MSDS/SDS) pentru protocoalele de siguranță.

Aparatele de măsurare seria HQ sunt destinate utilizării de către persoanele care măsoară parametrii privind calitatea apei în laborator sau pe teren. Aparatele de măsurare seria HQ nu tratează și nu modifică apa.

Secțiunea 5 Instalarea

⚠ PERICOL



Pericole multiple. Numai personalul calificat trebuie să efectueze activitățile descrise în această secțiune a documentului.


⁵ Cuvântul Bluetooth® și siglele sunt mărci comerciale înregistrate, deținute de Bluetooth SIG, Inc. și orice utilizare a unor astfel de mărci de către HACH este licențiată.


5.1 Despre siguranța bateriei pe bază de litiu

⚠️ AVERTISMENT	
	Pericol de explozie și incendiu. Bateriile cu litiu pot deveni fierbinți, pot exploda și pot cauza răni grave dacă sunt expuse la condiții extreme.

- Nu utilizați bateria dacă prezintă semne vizibile de deteriorare.
- Nu utilizați bateria după un șoc puternic sau vibrații.
- Nu expuneți bateria la foc sau surse de aprindere.
- Păstrați bateria la temperaturi sub 70 °C (158 °F).
- Păstrați bateria uscată și nu o lăsați în apropierea surselor de apă.
- Împiedicați contactul dintre borna pozitivă și borna negativă a bateriei.
- Nu permiteți persoanelor neautorizate să atingă bateria.
- Eliminați bateria în conformitate cu reglementările locale, regionale și naționale.
- Nu utilizați și nu depozitați instrumentul în lumina directă a soarelui, lângă o sursă de căldură sau în medii cu temperatură ridicată, cum ar fi un vehicul închis, lăsat să stea în lumina directă a soarelui.

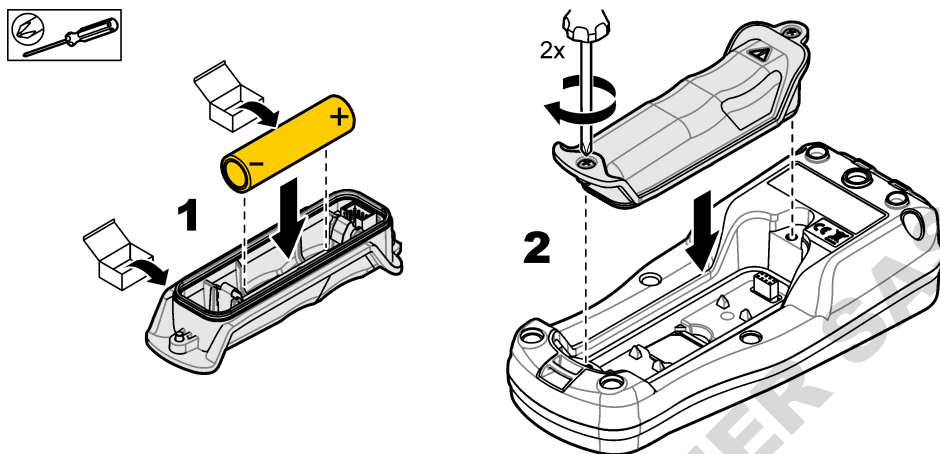
5.2 Instalarea bateriei

⚠️ AVERTISMENT	
	Pericol de explozie și incendiu. Acest echipament are o baterie cu litiu cu nivel ridicat de energie, baterie care se poate aprinde și poate provoca incendii sau explozii, chiar dacă este consumată. Pentru a nu diminua siguranța oferită de carcasa instrumentului, aceasta trebuie să fie montată și fixată cu ajutorul echipamentului furnizat.

⚠️ AVERTISMENT	
	Pericol de explozie și de incendiu. Înlocuirea bateriei nu este permisă. Utilizați numai bateriile furnizate de producătorul instrumentului.

Utilizați numai baterii reîncărcabile litiu-ion furnizate de către producător. Consultați [Figura 3](#) pentru informații referitoare la instalarea sau dezinstalarea bateriilor.

Figura 3 Instalarea și dezinstalarea bateriilor



5.3 Încărcarea bateriei

▲ PERICOL



Pericol de electrocutare. Dacă acest echipament este utilizat în aer liber sau în locații cu potențial de umiditate, trebuie utilizat un dispozitiv de întrerupere circuit de defecțiune masă (gfci/gfi) pentru conectarea echipamentului la sursa de alimentare principală.

▲ AVERTISMENT



Pericol de incendiu. Utilizați numai surse de alimentare externă care sunt specificate pentru acest instrument.

▲ AVERTISMENT



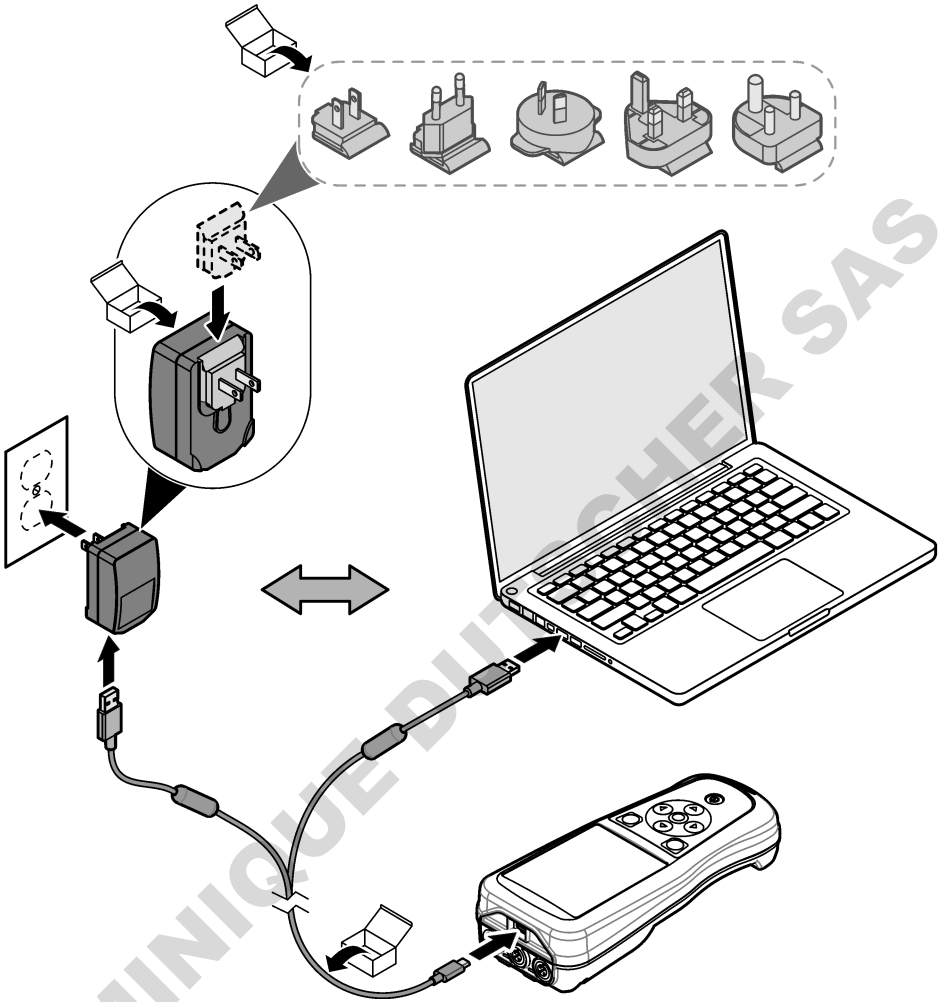
Pericol de electrocutare. Echipamentul conectat în mod extern trebuie să dispună de o evaluare a standardului de siguranță din țara aplicabilă.

NOTĂ

Instalați întotdeauna fișa pentru portul USB atunci când portul nu este în uz pentru a păstra portul curat și a preveni coroziunea. Nu încărcați bateria dacă portul USB este umed, murdar sau prezintă urme de coroziune. Consultați [Instalați fișele pentru portul USB și portul de sondă](#), de la pagina 296.

Utilizați cablul USB furnizat și adaptorul de alimentare USB sau un PC pentru a încărca bateria. Consultați [Figura 4](#). Atunci când instrumentul se conectează la sursa de alimentare electrică și tasta Pornit/Oprit este apăsată, indicatorul cu LED verde este aprins. Utilizatorul poate folosi instrumentul atunci când bateria se încarcă. O baterie neîncărcată se descarcă complet după aproximativ 5 ore atunci când adaptorul de alimentare USB este utilizat, iar alimentarea instrumentului este oprită. Aveți grijă să instalați fișa pentru portul USB atunci când portul USB nu este în uz. Consultați [Instalați fișele pentru portul USB și portul de sondă](#), de la pagina 296.

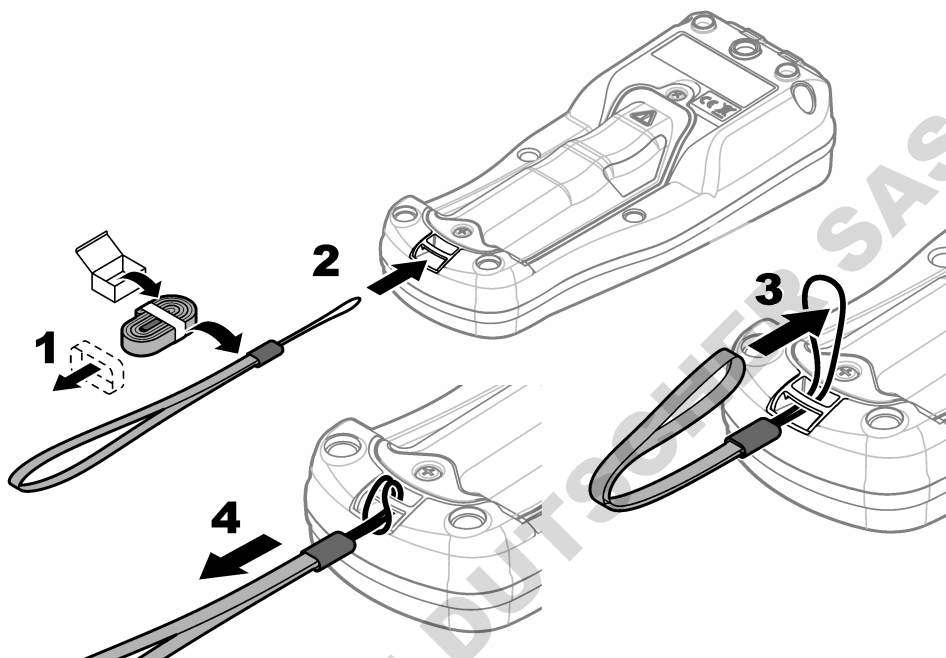
Figura 4 Conectați adaptorul de alimentare USB sau un PC.



5.4 Instalarea șnurului pentru gât

Instalați șnurul pentru gât pentru a ține aparatul de măsurare în siguranță. Consultați [Figura 5](#).

Figura 5 Instalarea șnurului pentru gât



5.5 Instalați fișele pentru portul USB și portul de sondă.

Aveți grijă să instalați fișele pentru porturi în porturile USB și de sondă atunci când porturile nu sunt în uz pentru a păstra porturile curate și a preveni coroziunea. Fișele pentru porturi trebuie instalate în porturile goale pentru a menține nivelul de protecție al instrumentului. Consultați [Figura 6](#) și [Figura 7](#). **Notă:** [Figura 6](#) afișează un aparat de măsurare cu trei porturi pentru sondă. Unele modele de aparate de măsurare au un singur port pentru sondă sau două.

Figura 6 Instalarea fișei pentru port

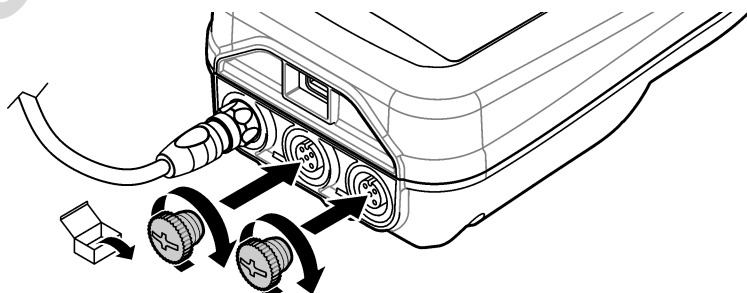
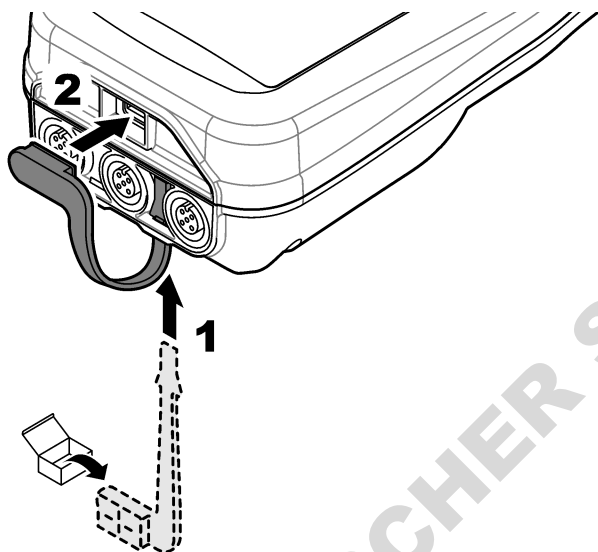



Figura 7 Instalarea fișei pentru portul USB



Secțiunea 6 Pornirea sistemului

6.1 Pornirea aparatului de măsurare

Apăsați  pentru a porni aparatul de măsurare. Dacă aparatul de măsurare nu pornește, asigurați-vă că bateria a fost instalată corect sau că aparatul de măsurare este conectat la o sursă de alimentare. Consultați [Încărcarea bateriei](#) de la pagina 294.

6.2 Selectarea limbii

Atunci când aparatul de măsurare este pornit pentru prima dată sau atunci când se instalează o baterie nouă, pe afișaj apare ecranul Selectare limbă. Selectați limba aplicabilă. De asemenea, utilizatorul poate schimba limba din meniul Setări.

6.3 Setarea datei și orei

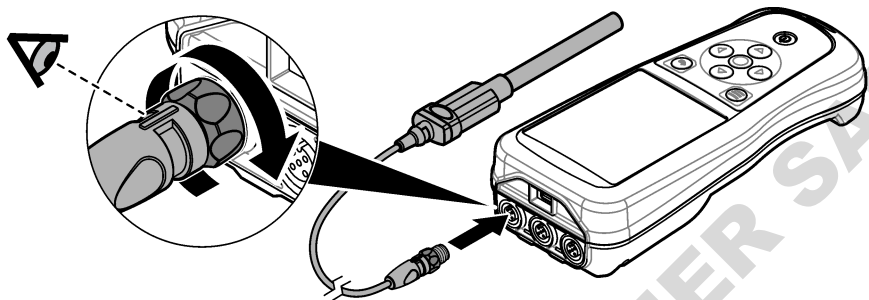
Atunci când aparatul de măsurare este pornit pentru prima dată sau atunci când se instalează o baterie nouă, pe afișaj apare ecranul Dată – Oră. Finalizați pașii următori pentru a seta data și ora.
Notă: De asemenea, utilizatorul poate modifica data și ora din meniul Setări.

1. Apăsați tastele cu săgeți sus și jos pentru a selecta un format pentru dată.
2. Apăsați săgeata stânga pentru a accesa data și ora.
3. Apăsați tastele cu săgeți sus și jos pentru a schimba data și ora.
4. Apăsați săgeata dreapta pentru a evidenția Salvare.
5. Selectați Salvare pentru a păstra setările.

6.4 Conectarea unei sonde

Asigurați-vă că ați setat data și ora pe aparatul de măsurare înainte ca o sondă să fie conectată. Marcajul temporal pentru o sondă este setat în momentul primei conectări a sondei la aparatul de măsurare. Marcajul temporal înregistrează automat istoricul sondelor și ora la care se efectuează măsurătorile. Consultați [Figura 8](#) pentru a conecta o sondă la aparatul de măsurare.

Figura 8 Conectarea unei sonde la aparatul de măsurare



Secțiunea 7 Interfața cu utilizatorul și navigarea

După pornire, pe afișaj apare ecranul principal. Consultați [Ecran principal](#) de la pagina 298. Utilizați tastatura pentru a selecta opțiunile disponibile și pentru a modifica valorile. Consultați [Tastatura](#) de la pagina 300. Utilizați meniul principal pentru a accesa setările și alte meniuri. Consultați [Meniul principal](#) de la pagina 301.

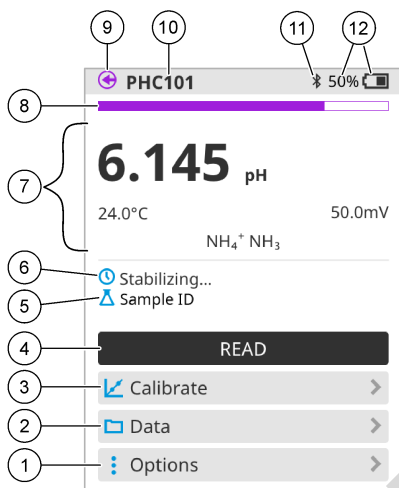
7.1 Ecran principal

Pe afișaj apare ecranul principal atunci când aparatul de măsurare este pornit și o sondă este conectată la un aparat de măsurare. Consultați [Figura 9](#). Modelele HQ4100, HQ4200, HQ4300 au un afișaj color. Pentru modelele cu două sau trei porturi pentru sondă, ecranul afișează toate sondele conectate. Consultați [Figura 10](#).

Pe ecranul principal sunt disponibile următoarele sarcini:

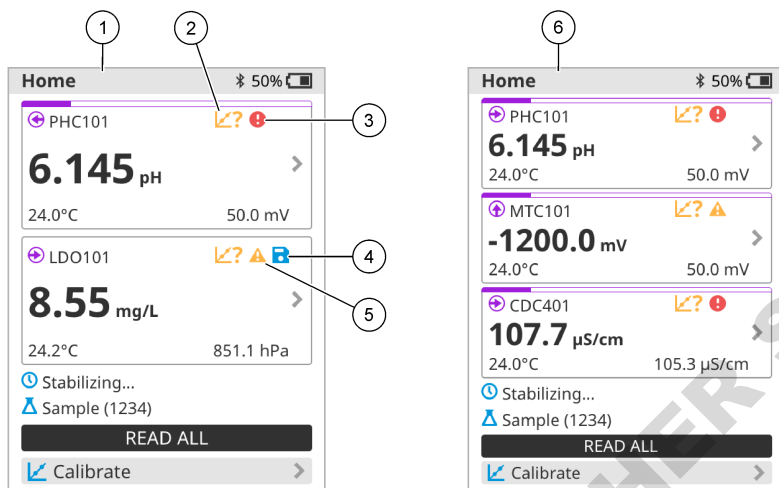
- Măsurare probe
- Calibrați o sondă
- Verificați o calibrare
- Setări ID-ul probei (identificare)
- Vizualizare și gestionare date
- Citiți instrucțiunile pas cu pas

Figura 9 Exemplet de ecran principal – O sondă



1	Meniul Opțiuni: oferă acces la instrucțiuni și alte meniuri	7	Secțiunea Valoare de măsurare: afișează valoarea, temperatura și unitățile măsurate
2	Meniul Date: oferă acces la vizualizarea și gestionarea datelor	8	Indicator privind starea de stabilitate a măsurătorii: afișează starea măsurătorii
3	Butonul Calibrare: pornește o calibrare	9	Port pentru sonda Intellical: afișează locația portului pentru sonda conectată
4	Butonul Citire: citește valoare probei sau a soluției standard	10	Numele sondei Intellical: afișează numele modelului pentru sonda conectată
5	ID probă: afișează numele probei măsurate	11	Pictograma Bluetooth® (dacă Dongle de comunicare Hach este instalat): afișează atunci când o conexiune Bluetooth este activă
6	Zonă mesaj: afișează starea măsurătorii, ID-ul probei, erorile și avertismentele	12	Indicator privind încărcarea bateriei: afișează procentul de încărcare a bateriei

Figura 10 Exemplu de ecran principal: două sau trei sonde

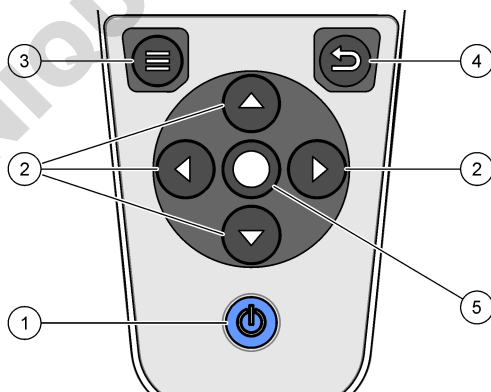


1 Ecran principal cu două sonde	4 Pictogramă pentru Salvare: datele măsurătorii se află în jurnalul de date
2 Pictogramă pentru Calibrări: indică neacceptarea sau expirarea calibrării	5 Pictogramă de avertisment (consultați Depanare de la pagina 305)
3 Pictogramă de eroare (consultați Depanare de la pagina 305)	6 Ecran principal cu trei sonde

7.2 Tastatura

Consultați [Figura 11](#) pentru o descriere a tastaturii.

Figura 11 Descrierea tastaturii

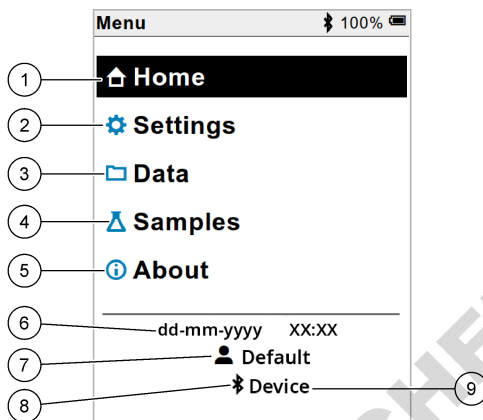


1 Tasta Pornit/Oprit	4 Tasta Înapoi
2 Săgeți de navigare	5 Tasta de selectare
3 Tasta Meniu	

7.3 Meniul principal

Apăsați  pentru a intra în meniul principal. Consultați [Figura 12](#).

Figura 12 Descrierea meniului principal



1 Acasă/Ecran principal	4 Meniu ID probă	7 ID utilizator
2 Meniul Setări	5 Despre ecranul aparatului de măsurare	8 Pictogramă Bluetooth® (dacă HCD este instalat)
3 Meniul Date	6 Dată și oră	9 ID dispozitiv Bluetooth® (dacă HCD este instalat)

Secțiunea 8 Funcționarea

Această secțiune furnizează instrucțiuni de utilizare generale pentru aparatul de măsurare. Pentru instrucțiuni mai complete, consultați instrucțiunile de pe ecran din aparatul de măsurare sau din manualul de utilizare pentru sondă.

8.1 Măsurare probe


Următorii pași sunt pași generali pentru măsurarea probelor cu ajutorul aparatului de măsurare.

1. Selectați modul de măsurare. Consultați [Setări aparat](#) de la pagina 303.
2. Pregătiți proba pentru măsurare. Consultați instrucțiunile de pe ecran din aparatul de măsurare sau din manualul de utilizare pentru sondă.
3. Măsurați proba după cum urmează:
 - **Modul Apăsare pentru a citi:** Selectați Citire (sau Citire toate) pentru a măsura valoarea probei. Aparatul de măsurare salvează valoarea automat.
 - **Mod interval:** Selectați Pornire (sau Pornire toate) pentru a porni măsurătorile. Aparatul de măsurare măsoară și salvează automat valoarea probei la intervale de timp specificate. Selectați Oprire (sau Oprire toate) pentru a opri măsurătorile.
 - **Mod continuu:** Aparatul de măsurare măsoară valoarea probei în mod continuu. Selectați Salvare (sau Salvare toate) pentru a salva valoarea afișată pe ecranul de afișare.

După fiecare măsurătoare, pe afișaj apare rezultatul. Pe afișaj apare pictograma de salvare dacă rezultatul este salvat în jurnalul de date.

8.2 Calibrarea unei sonde

Următorii pași sunt pași generali pentru calibrarea sondei cu ajutorul aparatului de măsurare. Pentru a modifica setările pentru calibrare, consultați [Setări sondă](#) de la pagina 304.

1. Din ecranul principal, selectați  Calibrare. Dacă se conectează mai multe sonde, selectați sonda de calibrat. Pe afișaj apare soluția (soluțiile) de utilizat pentru calibrare.
2. Pregătiți soluțiile tampon sau standard pentru calibrare. Urmați instrucțiunile de pe ecranul aparatului de măsurare sau din manualul de utilizare pentru sondă.
3. Selectați Citire pentru a porni calibrarea. Aparatul de măsurare măsoară valoarea soluției de calibrare. La finalizarea măsurării, pe afișaj apare rezultatul.
4. Selectați Citire pentru a măsura valoarea celorlalte soluții tampon sau standard, dacă este cazul. Selectați Salvare pentru a salva calibrarea.


Notă: În cazul în care calibrarea nu este acceptată, consultați instrucțiunile pentru depanare de pe ecran de pe aparatul de măsurare sau din manualul de utilizare pentru sondă.

8.3 Verificarea calibrării

Următorii pași sunt pași generali pentru verificarea calibrării sondei cu ajutorul aparatului de măsurare. Pentru a modifica setările pentru verificare, consultați [Setări sondă](#) de la pagina 304.

1. Din ecranul principal, selectați Opțiuni > Verificare calibrare. Afișajul arată soluția tampon sau standard de utilizat pentru verificare.


Notă: Dacă s-au conectat mai multe sonde, selectați sonda de verificat.

2. Pregătiți soluția tampon sau standard pentru verificare. Urmați instrucțiunile de pe ecranul aparatului de măsurare sau din manualul de utilizare pentru sondă.
3. Selectați Citire pentru a începe verificarea. Aparatul de măsurare măsoară valoarea soluției de verificare. La finalizarea măsurării, pe afișaj apare rezultatul.
4. Dacă verificarea este efectuată cu succes , selectați Salvare pentru a salva rezultatul.

Notă: Dacă verificarea nu este acceptată, consultați instrucțiunile de pe ecran pentru depanare de pe aparatul de măsurare sau din manualul de utilizare pentru sondă.

8.4 Includerea ID-ului probei cu datele de măsurare


Instrumentul poate salva un nume al utilizatorului (ID) cu datele de măsurare stocate. Introduceți mai multe nume ale probelor pe instrument, apoi selectați numele probei aplicabil înainte de a măsura probele. Instrumentul adaugă numerele la probele cu același nume, de ex. „Nume probă (2)”.

1. Apăsăți  și selectați Probe.
2. Selectați o opțiune.

Opțiune	Descriere
Probă	Selectează numele probei de salvat cu măsurătorilor probelor.
Creare probă nouă	Deschide un ecran pentru a adăuga nume de probe noi. Numele probelor pot include litere și numere.
Ștergere probe	Elimină numele probelor.

8.5 Includerea ID-ului utilizatorului cu datele stocate

Instrumentul poate înregistra un nume al utilizatorului (ID) cu datele stocate. Introduceți mai multe numele de utilizator pe instrument, apoi selectați numele utilizatorului aplicabil înainte de a începe efectuarea calibrărilor și a măsurătorilor.


1. Apăsăți  și selectați Setări. Lista cu setări afișează:
2. Selectați Utilizatori.
3. Selectați o opțiune.

Opțiune	Descriere
Utilizator	Selectează numele utilizatorului. Numele utilizatorului selectat este afișat pe ecranul meniului principal și este salvat cu datele stocate.
Creare utilizator nou	Deschide un ecran pentru a adăuga nume de utilizatori noi. Numele utilizatorilor pot include litere și numere.
Ștergere utilizatori	Elimină numele utilizatorilor.

Secțiunea 9 Setări aparat

Finalizați pașii care urmează pentru a schimba setările generale pentru aparat.

Notă: Protecția cu parolă poate împiedica accesul la unele meniuri. Consultați manualul de utilizare online pentru informații despre controlul accesului.

1. Apăsăți  și selectați Setări. Lista cu setări afișează:
2. Selectați o opțiune.


Opțiune	Descriere
[Denumire sondă]	Modifică setările specifice sondei pentru măsurători, calibrări și verificări. Consultați Setări sondă de la pagina 304 pentru a schimba setările pentru sonda conectată.
Mod de măsurare	Setează la începerea măsurătorilor. Opțiuni: Apăsăți pentru a citi, Continuu sau Interval. Apăsăți pentru a citi: Eșantionul este măsurat doar atunci când Citire este împins. Datele sunt salvate în jurnalul de date automat atunci când sunt îndeplinite criteriile de stabilitate. Interval: Eșantionul este măsurat la intervale regulate pentru o durată specificată. Datele sunt stocate automat în jurnalul de date. Continuu: Aparatul măsoară valoarea eșantionului continuu. Datele sunt salvate în jurnalul de date numai atunci când utilizatorul selectează Salvare.
Temperatură	Setează unitățile de temperatură la ° C sau ° F.
Afișaj	Modifică setările pentru afișaj. Opțiuni: Luminozitate, Lumină de fundal și Opre. Luminozitate: Modifică intensitatea iluminării de fundal. Opțiuni: între 10 și 100% (valoare implicită: 50%). Lumină de fundal: Setează lumina de fundal pentru a opri când aparatul nu este utilizat pentru o perioadă specificată. Opțiuni: 15 secunde, 30 secunde, 1 minut, 5 minute sau Niciodată. Opre: Setează aparatul la oprire atunci când aparatul nu este utilizat pentru o perioadă specificată. Opțiuni: 1 minut, 2 minute, 5 minute, 10 minute, 30 minute, 1 oră, 2 ore sau Niciodată.
Sunset	Setează aparatul să scoată un sunet în timpul apăsărilor sau notificărilor. Opțiuni: Apăsare tastă, Alertă stabilitate, Memento, Alertă eroare/avertisment sau (baterie) Încărcare finalizată .
Utilizatori	Selectează un utilizator, adaugă un utilizator nou sau îl șterge.
Data–Oră	Setează formatul dată / oră, data și ora în aparat.
Limbă	Setează limba aparatului.

Opțiune	Descriere
Accesare	Setează o parolă pentru a împiedica accesul la setările sondei, unele setări ale aparatului (modul de măsurare, temperatură, limbă) și actualizări software. Un utilizator fără parolă nu poate șterge setările sau datele când controlul de acces este activat.
Diagnostic	Creează un fișier de diagnostic pentru asistență tehnică sau service dacă apare o problemă tehnică. Utilizatorul trebuie să conecteze aparatul la un computer pentru a obține fișierul.

Secțiunea 10 Setări sondă

Atunci când se conectează o sondă la aparatul de măsurare, utilizatorul poate schimba setările pentru sondă pentru măsurători, calibrări și verificări. Consultați pașii următori pentru a accesa setările pentru sonda conectată. Pentru o descriere completă a setărilor, consultați manualul de utilizare online pentru aparatul de măsurare.

Notă: Protecția cu parolă poate împiedica accesul la unele meniuri. Consultați manualul de utilizare online pentru informații despre setările de securitate.


1. Apăsați  și selectați Setări. Lista cu setări afișează:
2. Selectați denumirea sondei.
3. Selectați opțiunea aplicabilă: Măsurătoare, Calibrare sau Verificare.

Secțiunea 11 Gestionarea datelor

Aparatul de măsurare salvează datele rezultate din măsurătorile, calibrările și verificările probelor, după cum urmează:

- Măsurătorile probelor – Aparatul de măsurare salvează automat datele probelor măsurate atunci când modul de măsurare este Apăsare pentru a citi sau Interval. Atunci când modul de măsurare este Continuu, utilizatorul trebuie să selecteze Salvare pentru a salva datele probei măsurate. Pe ecranul principal se afișează pictograma de Salvare atunci când datele probei măsurate se află în jurnalul de date.
- Datele de calibrare – Utilizatorul trebuie să selecteze Salvare pentru a salva datele de calibrare. Datele de calibrare sunt salvate în aparatul de măsurare și pe sonda Intellical.
- Date de verificare – Utilizatorul trebuie să selecteze Salvare pentru a salva datele de verificare.

Finalizați următorii pași pentru a vizualiza, exporta sau șterge date.

1. Apăsați  și selectați Date sau selectați Date de pe ecranul principal.
2. Selectați o opțiune.

Opțiune	Descriere
Vizualizare date	Afișează datele în jurnalul de date. Prima dată se afișează cele mai recente date. Apăsați săgeata jos pentru a vedea mai multe date. Pictograma de calibrare este afișată atunci când tipurile de date sunt datele de calibrare. Pictograma de verificare este afișată atunci când tipurile de date sunt datele de verificare. Pentru a vedea mai multe detalii pentru un punct de date, selectați un rând de date și apăsați săgeata dreapta. Pentru a aplica un filtru și pentru a afișa numai datele filtrate, apăsați săgeata stânga și selectați un parametru, tipul de date sau intervalul de date.

Opțiune	Descriere
Export date	<p>Trimite o copie cu toate datele în jurnalul de date pe un PC conectat sau un dispozitiv de stocare USB. Pentru a conecta instrumentul la un PC, consultați Figura 4 de la pagina 295. Pentru a conecta instrumentul la un dispozitiv de stocare USB standard, utilizați un micro USB pentru un adaptor USB de tip A. În mod alternativ, utilizați un dispozitiv de stocare USB care are un conector micro USB.</p> <p>Atunci când instrumentul se conectează la un PC, se deschide o fereastră File Explorer către o unitate cu denumirea „Serie HQ”. Măriți unitatea și căutați un subfolder cu numele și numărul de serie al aparatului de măsurare. Fișierul de date este afișat ca fișier .csv, având aceeași dată și oră ca numele fișierului. Salvați fișierul .csv pe o locație de pe PC.</p> <p>Notă: Dacă fereastra File Explorer nu se deschide automat, deschideți o fereastră File Explorer și căutați o unitate cu denumirea „Serie HQ”.</p>
Istoric calibrare	Afișează datele de calibrare curente și anterioare pentru o sondă conectată.
Ștergere date	Șterge toate datele din jurnalul de date. Protecția cu parolă poate împiedica accesul la opțiunea de ștergere a datelor.

Secțiunea 12 Întreținerea

▲ ATENȚIE



Pericole multiple. Numai personalul calificat trebuie să efectueze activitățile descrise în această secțiune a documentului.

12.1 Curățarea instrumentului

Curățați exteriorul instrumentului cu o lavetă umedă și cu o soluție de săpun delicat, iar apoi uscați instrumentul prin ștergere, dacă este necesar.

12.2 Înlocuirea bateriei

Înlocuiți bateria atunci când acesta nu se încarcă sau nu mai păstrează curentul. Utilizați numai bateria și încărcătorul de baterie furnizate de către producător. Consultați [Instalarea bateriei](#) de la pagina 293.


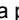
12.3 Pregătirea pentru expediere

Instrumentul conține o baterie litiu-ion, care este reglementată ca material periculos și trebuie să respecte reglementările privind bunurile periculoase pentru toate tipurile de transport. Respectați procedurile următoare pentru a trimite instrumentul la reparat sau întreținere:

- Deconectați sondele înainte de a le expedia.
- Curățați și decontaminați instrumentul înainte de a-l expedia producătorului.
- Pentru cea mai bună siguranță, îndepărtați bateria litiu-ion din dispozitiv și nu trimiteți bateria. Dacă trebuie să trimiteți bateria, lăsați bateria instalată în incinta pentru baterii, însă nu o atașați de instrument. Introduceți incinta pentru baterii cu bateria instalată în ambalajul separat pentru a preveni contactul cu materialele conductive electrice (de ex., metale).
- Expediați instrumentul în ambalajul original sau într-un ambalaj alternativ de protecție alternativ.

Secțiunea 13 Depanare

13.1 Utilizarea instrucțiunilor de pe ecran pentru depanare

Interfața cu utilizatorul include instrucțiuni pentru depanare menite să ajute la corectarea problemelor care pot apărea în timpul măsurătorilor, calibrărilor și verificărilor. Atunci când apare o problemă, pe afișaj apare pictograma pentru eroarea  sau avertismentul  cu o scurtă descriere a problemei. Apăsăți săgeata dreapta pentru a vedea procedurile recomandate pentru a corecta problema.

Secțiunea 14 Piese de schimb

⚠️ AVERTISMENT



Pericol de vătămare corporală. Utilizarea pieselor neaprobate poate cauza vătămare corporală, deteriorarea instrumentului sau defectarea echipamentului. Piesele de schimb din această secțiune sunt aprobate de producător.

Notă: Numerele pentru produs și articol pot varia în anumite regiuni de comercializare. Contactați distribuitorul respectiv sau consultați site-ul Web al companiei pentru informațiile de contact.

Piese de schimb

Descriere	Nr. articol
Baterie, litiu-ion, 18650, 3200 mAh, limba engleză	LEZ015.99.00001
Baterie, litiu-ion, 18650, 3100 mAh, limba chineză	LEZ015.80.00001
Cablu, USB 2.0, tip de mufă A până la tip de mufă B, 0,91 m (3 picioare)	LEZ015.99.00002
Cutie de teren pentru sonde standard	LEZ015.99.A001A
Cutie de teren pentru sonde robuste	LEZ015.99.A002A
Șnur pentru gât și dopuri antipraf	LEZ015.99.A005A
Cric cu baretă	LEZ015.99.A003A
Mănuși de protecție	LEZ015.99.A004A
Adaptor de alimentare USB, 5 V c.c., 2 A, 100 – 240 V c.a., SUA	LEZ015.99.00006
Adaptor de alimentare USB, 5 V c.c., 2 A, 100 – 240 V c.a., UE + Regatul Unit	LEZ015.99.00004
Adaptor de alimentare USB, 5 V c.c., 2 A, 100 – 240 V c.a., China	LEZ015.99.00005
Adaptor de alimentare USB, 5 V c.c., 2 A, 100 – 240 V c.a., ROW	LEZ015.99.00007

Turinys

- | | |
|--|---------------------------------------|
| 1 Internetinis naudotojo vadovas Puslapyje 307 | 8 Veikimas Puslapyje 320 |
| 2 Gaminio apžvalga Puslapyje 307 | 9 Skaitiklio nustatymai Puslapyje 322 |
| 3 Techniniai duomenys Puslapyje 308 | 10 Zondo nustatymai Puslapyje 323 |
| 4 Bendrojo pobūdžio informacija Puslapyje 309 | 11 Duomenų valdymas Puslapyje 323 |
| 5 Montavimas Puslapyje 311 | 12 Techninė priežiūra Puslapyje 324 |
| 6 Paleidimas Puslapyje 316 | 13 Trikių šalinimas Puslapyje 324 |
| 7 Naudotojo sąjasa ir naršymas Puslapyje 317 | 14 Atsarginės dalys Puslapyje 324 |

Skyrius 1 Internetinis naudotojo vadovas

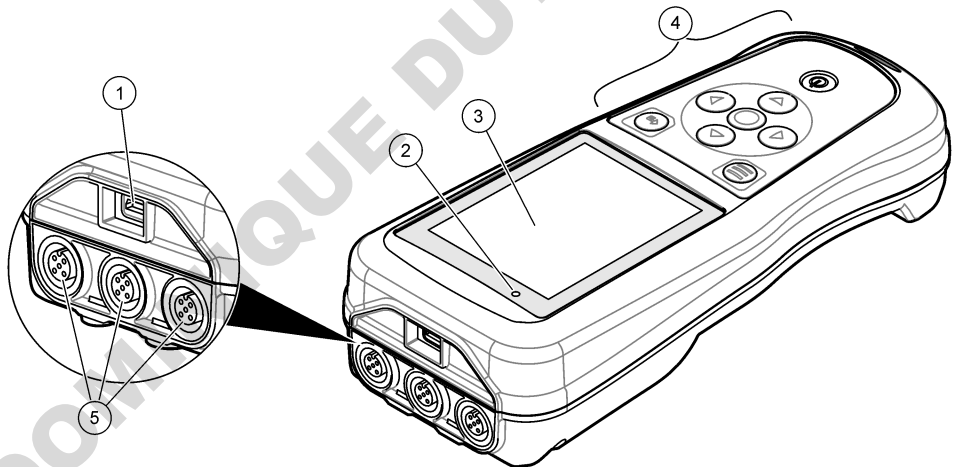
Pagrindiniame naudotojo vadove yra mažiau informacijos negu Naudotojo vadove, kurį galima rasti gamintojo svetainėje.

Skyrius 2 Gaminio apžvalga

HQ serijos nešiojamieji matuokliai naudojami su skaitmeniniais „Intellical“ zondais vienam ar daugiau vandens kokybės parametų išmatuoti. Žr. [Paveikslėlis 1](#). Matuoklis automatiškai atpažįsta prie jo prijungto zondo tipą. Matuoklį galima prijungti prie asmeninio kompiuterio arba USB atmintinės ir perkelti jame įrašytus duomenis. Naudojant pasirenkamą „Hach“ ryšio fizinį raktą HACH komunikacijos ryšį (HCD), matuoklis prijungiamas prie „Claros“.

HQ serijos matuokliai yra aštuonių modelių. [Lentelė 1](#) parodo, kokių tipų zondus galima prijungti prie kiekvieno modelio.

Paveikslėlis 1 Gaminio apžvalga



1 „Micro-USB“ jungtis	4 Klaviatūra
2 LED indikatorius	5 „Intellical“ zondo jungtis (parodytas variantas su trimis zondų jungtimis)
3 Ekranas	

Lentelė 1 HQ serijos matuoklių modeliai

Matuoklio modelis	Zondu jungtys	pH/mV/ORP ¹ zondai	LDO/LBOD ² zondai	Savitasis laidumas ³ zondai	ISE ⁴ zondai
HQ1110	1	✓			
HQ1130	1		✓		
HQ1140	1			✓	
HQ2100	1	✓	✓	✓	
HQ2200	2	✓	✓	✓	
HQ4100	1	✓	✓	✓	✓
HQ4200	2	✓	✓	✓	✓
HQ4300	3	✓	✓	✓	✓

Skyrius 3 Techniniai duomenys

Techniniai duomenys gali būti keičiami neperspėjus.

Techniniai duomenys	Išsami informacija
Matmenys (I x P x A) (ilgis x plotis x aukštis)	22 x 9,7 x 6,3 cm (8,7 x 3,8 x 2,5 col.)
Svoris	HQ1110, HQ1130, HQ1140 ir HQ2100: 519 g (18,3 unc.); HQ2200: 541 g (19,1 unc.); HQ4100: 530 g (18,7 unc.); HQ4200: 550 g (19,4 unc.); HQ4300: 570 g (20,1 unc.)
Korpuso klasė	IP67 prijungus baterijos skyrių
Maitinimas (naudojant baterijas)	Įkraunama ličio jonų baterija 18650 (18 mm skersmens x 65 mm ilgio, cilindro formos), 3,7 V NS, 3200 mAh; baterijos veikimo trukmė: > 1 savaitę įprastai naudojant (10 nuskaitymų per dieną, 5 dienos per savaitę nuolatiniu režimu arba režimu „Paspausti ir skaityti“, arba > 24 valandos intervalų režimu su 5 minučių intervalais ir išjungimo laikmačiu ≤ 15 minučių)
Maitinimas (naudojant išorinį šaltinį)	II klasės USB maitinimo adapteris: 100–240 V KS, 50/60 Hz įvestis; 5 V NS 2 A USB maitinimo adapterio išvesties lizde
Matavimo prietaiso apsaugos klasė	IEC III klasė (SELV (atskirta / apsauginė ypač žema įtampa) maitinimas); USB maitinimo adapteris yra IEC II klasės (dviguba izoliacija)
Darbinė temperatūra	0–60 °C (32–140 °F)
Įkrovimo temperatūra	10–40 °C (50–104 °F)
Darbinis drėgnis	90 % (be kondensacijos)
Laikymo temperatūra	Nuo –20 iki 60 °C (nuo –4 iki 140 °F) ne didesnis nei 90 % santykinis oro drėgnumas (be kondensacijos)
Zondu jungtis	5 kontaktų M12 jungtis „Intellical“ zondams
„Micro-USB“ jungtis	Per „micro-USB“ jungtį galima prijungti USB kabelį ir USB maitinimo adapterį.

¹ pH/mV/ORP zondai apima su temperatūros matavimuą

² LDO/LBOD zondai su apima temperatūros matavimuą

³ Laidumo zondai apima matuoja druskingumą, TDS (bendras ištirpusių kietųjų medžiagų kiekis), varžą, temperatūrą

⁴ Selektvieji jonų zondai, pvz., amoniako, nitratų, chlorido, fluoro, natrio

Techniniai duomenys	Išsami informacija
Duomenų byla (vidinė)	HQ1000 serija: 5 000 duomenų taškų; HQ2000 serija: 10 000 duomenų taškų; HQ4000 serija: 100 000 duomenų taškų
Duomenų saugykla	Automatinis įrašymas režimu „Paspausti ir skaityti“ ir intervalo režimu. Rankinis įrašymas nuolatinio režimu.
Duomenų eksportavimas	USB jungtis asmeniniam kompiuteriui ar USB atmintukui (priklauso nuo laikmenos talpos)
Temperatūros koregavimas	Išjungtas, automatinis ir rankinis (pagal konkrečius parametrus)
Sertifikatai	CE, UKCA, FCC, ISED, RCM, KC, ETL Patikrinta: US DOE / NRCan energijos vartojimo efektyvumas, RoHS
Garantija	HQ1000 ir HQ2000 serija: 1 metai (JAV), 2 metai (ES); HQ4000 serija: 3 metai (JAV), 3 metai (ES)

Skyrius 4 Bendrojo pobūdžio informacija

Gamintojas jokių būdu nebus atsakingas už žalą, atsiradusią dėl netinkamo gaminio naudojimo arba vadove pateiktų instrukcijų nesilaikymo. Gamintojas pasilieka teisę bet kada iš dalies pakeisti šį vadovą ir jame aprašytus produktus nepranešdamas apie keitimą ir neprisiimdamas įsipareigojimų. Pataisytuosius leidimus rasite gamintojo žiniatinklio svetainėje.

4.1 Saugos duomenys

Gamintojas nėra atsakingas už jokių nuostolių dėl netinkamo šio gaminio taikymo ar naudojimo, įskaitant tiesioginius, atsitiktinius ir šalutinius nuostolius, bet tuo neapsiribojant, ir nepripažįsta jokios atsakomybės už tokius nuostolius, kiek tai leidžia galiojantys įstatymai. Tik naudotojas yra atsakingas už taikymo lemiamo pavojaus nustatymą ir tinkamų mechanizmų procesams apsaugoti per galimą įrangos triktį įrengimą.

Perskaitykite visą šį dokumentą prieš išpakuodami, surinkdami ir pradėdami naudoti šį įrenginį. Atkreipkite dėmesį į visus įspėjimus apie pavojų ir atsargumo priemones. Priešingu atveju įrenginio naudotojas gali smarkiai susižeisti arba sugadinti įrenginį.

Įsitinkinkite, kad šio įrenginio apsauga nepažeista. Nenaudokite ir nemontuokite šio įrenginio kitokiu būdu, nei nurodyta šiame vadove.

4.2 Informacijos apie pavojų naudojimas

▲ PAVOJUS

Žymi galimą arba neišvengiamą pavojingą situaciją, į kurią pakliuvus galima mirtinai ar stipriai susižeisti.

▲ ĮSPĖJIMAS

Žymi galimą arba neišvengiamą pavojingą situaciją, kurios nevengiant gali grėsti mirtis ar stiprus sužeidimas.

▲ ATSARGIAI

Žymi galimą pavojingą situaciją, dėl kurios galima lengvai ar vidutiniškai susižeisti.

PASTABA

Žymi situaciją, kurios neišvengus gali būti sugadintas prietaisas. Informacija, kuriai reikia skirti ypatingą dėmesį.

4.3 Apie pavojų perspėjančios etiketės

Perskaitykite visas prie prietaiso pritvirtintas etiketes ir žymas. Nesilaikant nurodytų įspėjimų galima, susižaloti arba sugadinti prietaisą. Simbolis, kuriuo pažymėtas prietaisas, vadove yra nurodytas su įspėjamuoju pareiškimu.

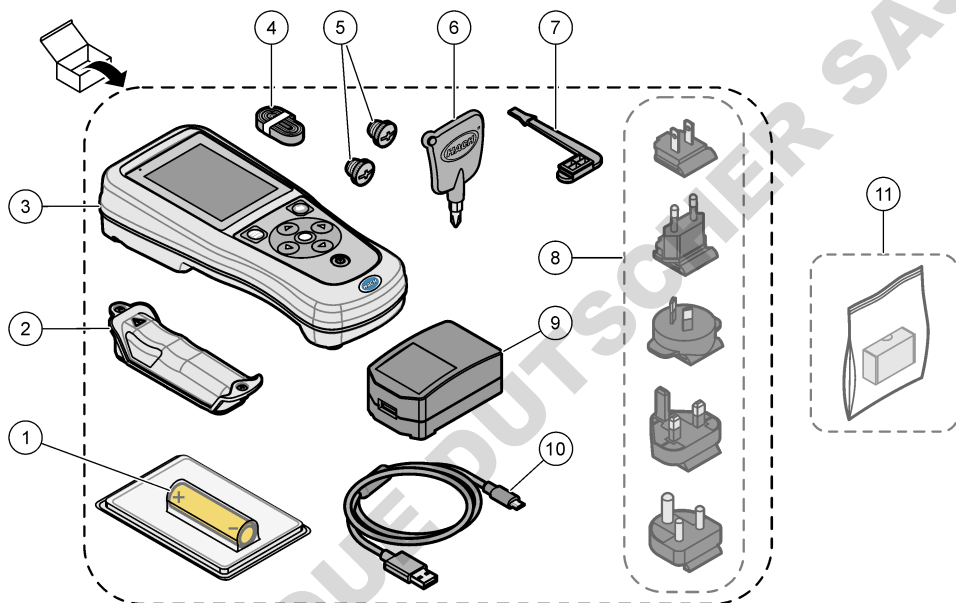


Šiuo simboliu pažymėto elektros įrenginio negalima išmesti namų arba viešosiose atliekų išmetimo vietose Europoje. Nemokamai grąžinkite nebenaudojamą įrangą gamintojui, kad ji būtų再利用uota.

4.4 Gaminio sudedamosios dalys

Įsitikinkite, kad gavote visas sudedamąsias dalis. Žr. [Paveikslėlis 2](#). Aptikę, kad dalių trūksta ar jos yra apgadintos, nedelsdami susisiekiate su gamintoju ar prekybos atstovu.

Paveikslėlis 2 Gaminio sudedamosios dalys



1 Įkraunama ličio jonų baterija	7 USB priedado kištukas
2 Baterijos skyrius	8 Pasirenkami maitinimo kištukai
3 Matuoklis	9 USB maitinimo adapteris
4 Riešo dirželis	10 USB kabelis, A tipo į „micro“, 1 m (3,3 pėdos)
5 Zondo jungčių kištukai	11 Pasirenkamas „Hach“ ryšio fizinis raktas HACH komunikacijos ryšys (HCD)
6 Kryžminis atsuktuvas (Nr. 1)	

4.5 Sertifikavimas

Kanados taisyklės dėl radijo trukdžius keliančios įrangos, IECS-003, B klasė:

Tai patvirtinančių patikrinimų dokumentų teirautis gamintojo.

B klasės skaitmeninis įtaisas atitinka visus Kanados taisyklių dėl radijo trukdžius keliančios įrangos reikalavimus.

Cet appareil numérique de classe B répond à toutes les exigences de la réglementation canadienne sur les équipements provoquant des interférences.

FCC 15 dalis, B klasės apribojimai

Tai patvirtinančių patikrinimų dokumentų teirautis gamintojo. Šis prietaisas atitinka FCC taisyklių 15 dalies reikalavimus. Naudojimui taikomos šios sąlygos:

1. Įranga negali kelti kenksmingų trukdžių.
2. Ši įranga turi priimti visus gaunamus trukdžius, įskaitant tuos, dėl kurių prietaisas veiks netinkamai.

Šios įrangos pakeitimai arba modifikacijos, kurios nėra tiesiogiai patvirtintos už atitiktą atsakingos šalies, gali panaikinti naudotojo teisę naudotis šia įranga. Ši įranga yra patikrinta ir nustatyta, kad ji atitinka B klasės skaitmeninių prietaisų apribojimuose keliamus reikalavimus pagal FCC taisyklių 15 dalį. Šie apribojimai taikomi siekiant suteikti tinkamą apsaugą nuo žalingųjų trukdžių poveikio, kai įranga yra naudojama komercinėse patalpose. Ši įranga sukuria, naudoja ir skleidžia radijo bangų energiją ir, jei naudojama nesilaikant naudotojo instrukcijoje pateiktų nurodymų, gali kelti radijo ryšio žalinguosius trukdžius. Šią įrangą naudojant gyvenamosiose patalpose gali būti keliami žalingieji trukdžiai ir tokiu atveju naudotojas juos turės pašalinti savo lėšomis. Norėdami sumažinti trukdžius, galite pasinaudoti šiais būdais:

1. Perkelkite įrangą toliau nuo trukdžius patiriančio prietaiso.
2. Trukdžius patiriančio prietaiso anteną pastatykite kitoje vietoje.
3. Pabandykite derinti anksčiau pateiktus būdus.

4.6 „Hach“ ryšio fizinis raktas HACH komunikacijos ryšys (pasirenkamas)

Pasirenkamam „Hach“ ryšio fiziniui raktui HACH komunikacijos ryšiui naudojamas mažai energijos eikvojantis „Bluetooth®“ ryšys su „Claros“. Įrengdami ir naudodami šį prietaisą laikykitės visų gamintojo nurodymų ir įspėjimų. Vadovaukitės su HCD pridedamais dokumentais.

4.7 Numatytasis naudojimas

▲ ATSAUGIAI



Sąlyčio su cheminėmis medžiagomis pavojus. Vykdykite laboratorijos saugos procedūras ir dėvėkite visas asmeninės saugos priemones, tinkančias naudojamiems chemikalams. Saugos protokoliai nurodyti galiojančiuose saugos duomenų lapuose (MSDS / SDS).

Nešiojamieji HQ serijos matuokliai yra skirti naudoti asmenims, kurie matuoja vandens kokybę laboratorijoje arba vietoje. HQ serijos matuokliai vandens nevalo ir nekeičia.

Skyrius 5 Montavimas

▲ PAVOJUS



Įvairūs pavojai. Šiame dokumento skyriuje aprašytas užduotis turi vykdyti tik kvalifikuoti darbuotojai.

5.1 Ličio baterijos sauga

▲ ĮSPĖJIMAS



Gaisro ir sprogdimo pavojus. Netinkamai naudojamos ličio baterijos gali įkaisti, sprogti arba užsidegti ir sukelti sunkių sužalojimų.

- Nenaudokite baterijos, jei matomi jos pažeidimai.
- Nenaudokite baterijos, jei ji patyrė stiprų smūgį arba vibraciją.

⁵ „Bluetooth®“ žodžio ženklas ir logotipai yra registruotieji prekių ženklai, priklausantys „Bluetooth SIG, Inc.“, ir „HACH“ tokius ženklus naudoja pagal licenciją.

- Saugokite bateriją nuo ugnies ar užsidegimo.
- Laikykite bateriją ne aukštesnėje kaip 70 °C (158 °F) temperatūroje.
- Laikykite baterijas sausiai ir atokiai nuo vandens.
- Neleiskite susiliesti neigiamai ir teigiamai baterijos jungtims.
- Neleiskite baterijos liesti leidimo neturintiems asmenims.
- Bateriją išmeskite vadovaudamiesi vietos, regiono ir nacionaliniais reglamentais.
- Nenaudokite ir nelaikykite prietaiso tiesioginėje saulėkaitoje, šalia šilumos šaltinio ar aukštos temperatūros aplinkoje, pvz., uždarytoje transporto priemonėje, kuri stovi tiesioginėje saulėkaitoje.

5.2 Baterijos įdėjimas

⚠ ĮSPĖJIMAS



Gaisro ir sprogimo pavojus. Šioje įrangoje yra didelės energijos ličio baterija, kuri gali užsidegti ir sukelti gaisrą arba sprogimą (net kai netiekiamas maitinimas). Norėdami išlaikyti saugumą, kurį užtikrina prietaiso gaubtas, privalote uždėti prietaiso gaubto dangtelius ir juos pritvirtinti naudodami pateiktą aparatinę įrangą.

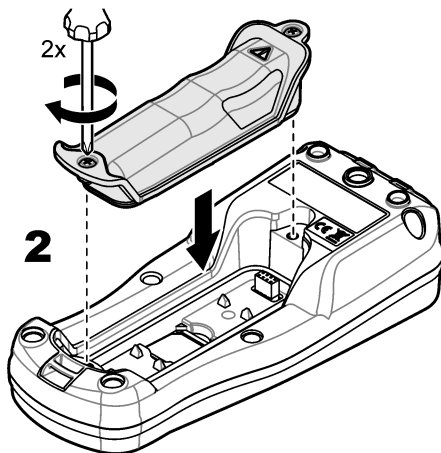
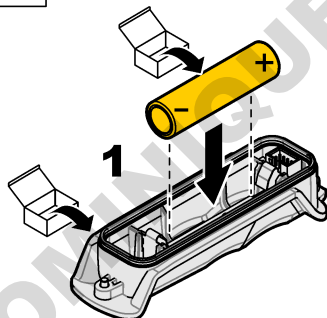
⚠ ĮSPĖJIMAS



Sprogimo ir gaisro pavojus. Neleidžiama pakeisti baterijos jos pakaitalu. Naudokite tik prietaiso gamintojo tiekiamas baterijas.

Naudokite tik gamintojo tiekiamą ličio jonų įkraunamą bateriją. Apie baterijos įdėjimą ir išėmimą žr. [Paveikslėlis 3](#).

Paveikslėlis 3 Baterijos įdėjimas ir išėmimas



5.3 Baterijos įkrovimas

⚠ PAVOJUS



Mirtino elektros smūgio pavojus. Jei ši įranga yra naudojama lauke arba galimai drėgnoje vietoje, jungiant ją prie pagrindinio maitinimo šaltinio būtina naudoti nuotėkio relę.

⚠ ĮSPĖJIMAS



Gaisro pavojus. Naudokite tik šiam prietaisui nurodytą išorinį maitinimo tiekimo bloką.

⚠ ĮSPĖJIMAS



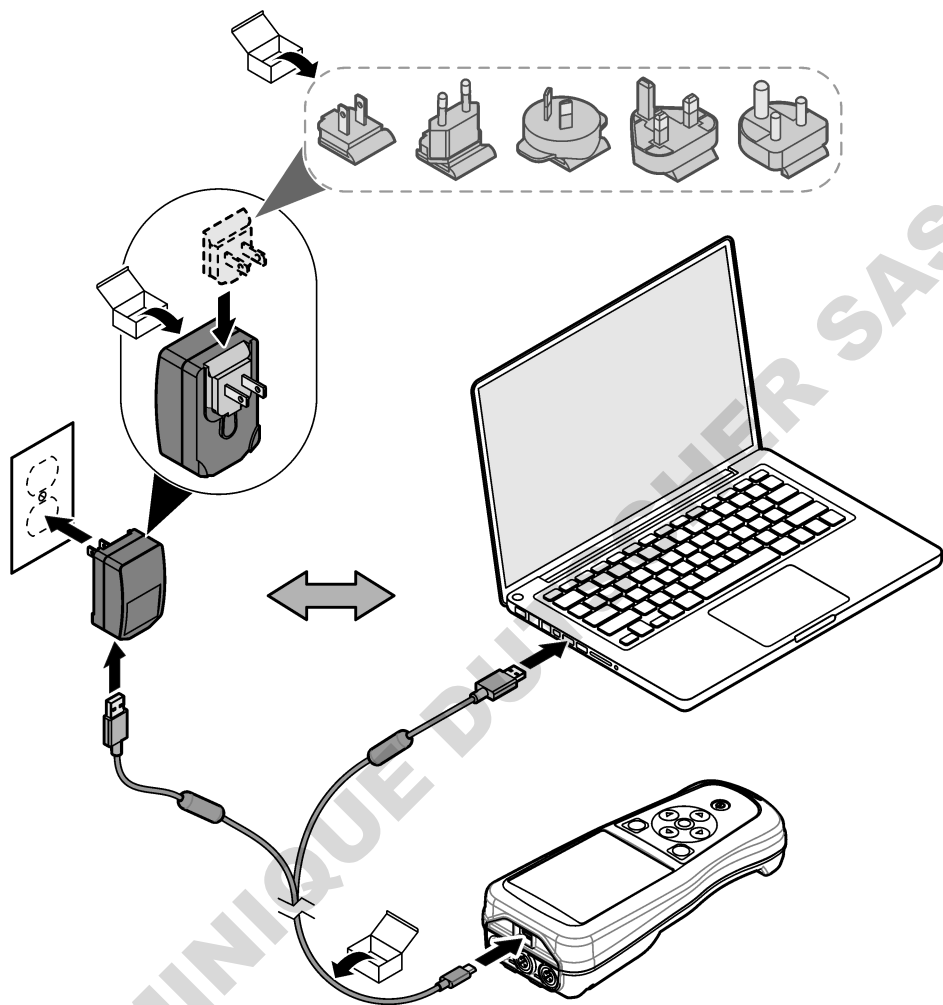
Elektros smūgio pavojus. Iš išorės prijungta įranga privalo turėti tinkamą šalies atitikties saugos standartams įvertinimą.

PASTABA

Kai USB prievadas nenaudojamas, visada įstatykite prievado kamštelį, kad prievadas išliktų švarus ir būtų apsaugotas nuo rūdžių. Nekraukite baterijos, jei USB prievadas drėgnas, purvinas arba aprūdijęs. Žr. [USB ir zondo prievadų kamštelių įstatymas](#) Puslapyje 315.

Bateriją įkraukite naudodami pridėdamą USB laidą ir USB maitinimo adapterį arba asmeninį kompiuterį. Žr. [Paveikslėlis 4](#). Prijungus prietaisą prie maitinimo šaltinio ir paspaudus įjungimo (išjungimo) mygtuką, pradeda šviesti žalias LED indikatorius. Kol baterija įkraunama, prietaisą galima naudoti. Išsikrovusi baterija visiškai įkraunama per maždaug 5 valandas, kai naudojamas USB adapteris ir prietaiso maitinimas yra išjungtas. Kai USB prievadas nenaudojamas, visada įstatykite USB prievado kamštelį. Žr. [USB ir zondo prievadų kamštelių įstatymas](#) Puslapyje 315.

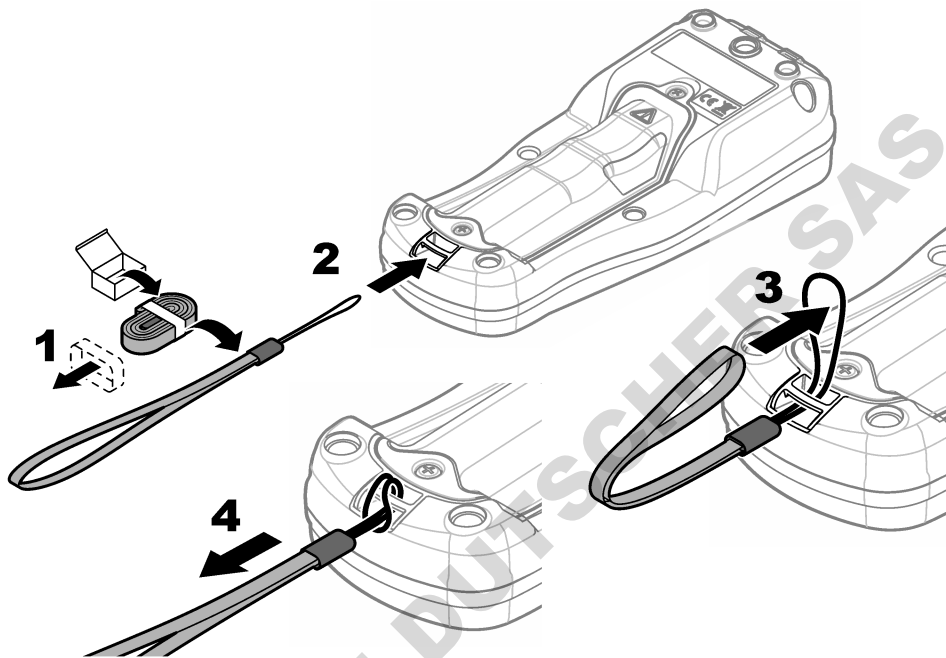
Paveikslėlis 4 Prijunkite prie USB maitinimo adapterio arba asmeninio kompiuterio



5.4 Riešo dirželio pritvirtinimas.

Pritvirtinkite riešo dirželį, kad saugiai laikytumėte matuoklį. Žr. [Paveikslėlis 5](#).

Paveikslėlis 5 Riešo dirželio pritvirtinimas

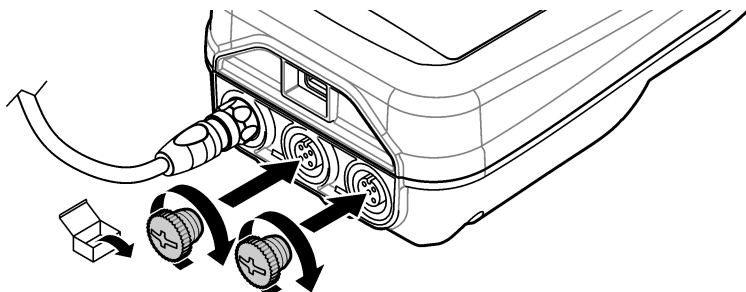


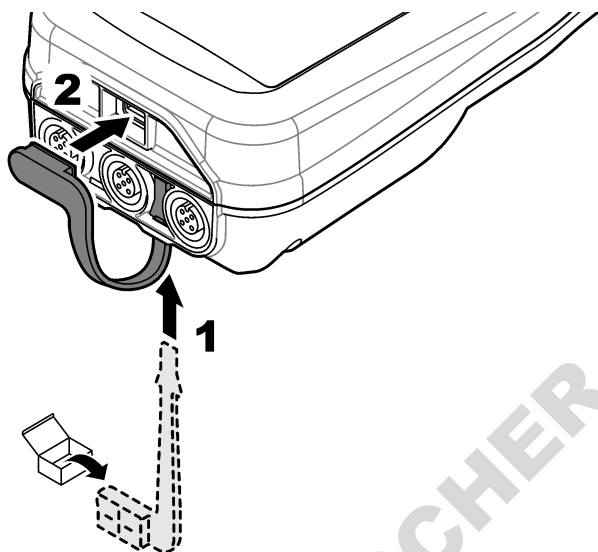
5.5 USB ir zondo prievadų kamštelių įstatymas

Kai USB ir zondo prievadai nenaudojami, visada įstatykite prievadų kamštelius, kad prievadai išliktų švarūs ir būtų apsaugoti nuo rūdžių. Į tuščius prievadus turi būti įstatyti prievadų kamšteliai, kad būtų išlaikyta prietaiso korpuso klasė. Žr. [Paveikslėlis 6](#) ir [Paveikslėlis 7](#).

Pastaba: [Paveikslėlis 6](#) rodomas matuoklis su trimis zondo prievadais. Tam tikri matuoklių modeliai turi tik vieną arba du zondo prievadus.

Paveikslėlis 6 Prievado kamštelių įstatymas





Skyrius 6 Paleidimas

6.1 Matuoklio įjungimas

Paspauskite , kad įjungtumėte matuoklį. Jei matuoklis neįsijungia, įsitikinkite, kad baterija įdėta tinkamai arba kad matuoklis prijungtas prie maitinimo šaltinio. Žr. [Baterijos įkrovimas](#) Puslapyje 313.

6.2 Pasirinkite kalbą

Kai matuoklis įjungiamas pirmą kartą arba kai įdedama nauja baterija, ekrane rodomas kalbos pasirinkimo rodinys. Pasirinkite tinkamą kalbą. Kalbą galima pakeisti ir per nustatymų meniu.

6.3 Datos ir laiko nustatymas

Kai matuoklis įjungiamas pirmą kartą arba kai įdedama nauja baterija, ekrane rodomas datos ir laiko rodinys. Atlikite toliau nurodytus veiksmus, kad nustatytumėte datą ir laiką.

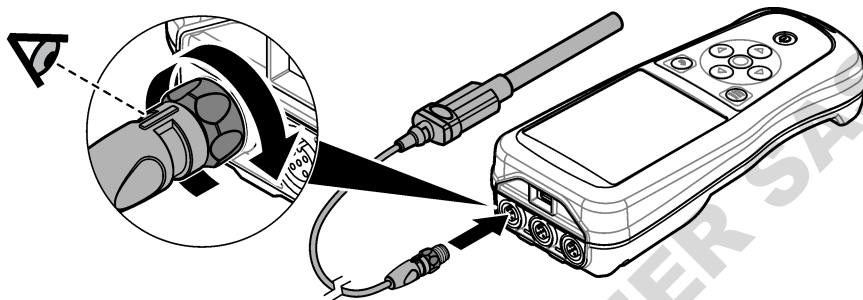
Pastaba: Datą ir laiką galima pakeisti ir per nustatymų meniu.

1. Spaudžiant rodyklių aukštyn ir žemyn mygtukus pasirenkamas datos formatas.
2. Paspauskite dešiniąją rodyklę, kad pasiektumėte datą ir laiką.
3. Spausdami rodyklių aukštyn ir žemyn mygtukus pakeisite datą ir laiką.
4. Paspauskite dešiniąją rodyklę, kad pažymėtumėte Išsaugoti.
5. Pasirinkite Išsaugoti, kad nustatymus įrašytumėte.

6.4 Zondo prijungimas

Prieš prijungdami zondą, būtinai matuoklyje nustatykite laiką ir datą. Zondui skirta laiko žyma yra nustatoma pirmą kartą prijungus zondą prie matavimo prietaiso. Laiko žyma automatiškai įrašo zondo istoriją ir laiką, kada buvo atlikti matavimai. Norėdami prijungti zondą prie matuoklio, žr. [Paveikslėlis 8](#).

Paveikslėlis 8 Zondo prijungimas prie matuoklio



Skyrius 7 Naudotojo sąsaja ir naršymas

Po paleidimo rodomas pagrindinis ekrano rodinys. Žr. [Pagrindinis ekranas](#) Puslapyje 317. Klaviatūra pasirinkite pageidaujamas parinktis ir pakeiskite vertes. Žr. [Klaviatūra](#) Puslapyje 319. Nustatymus ir kitus meniu pasieksite per pagrindinį meniu. Žr. [Pagrindinis meniu](#) Puslapyje 320.

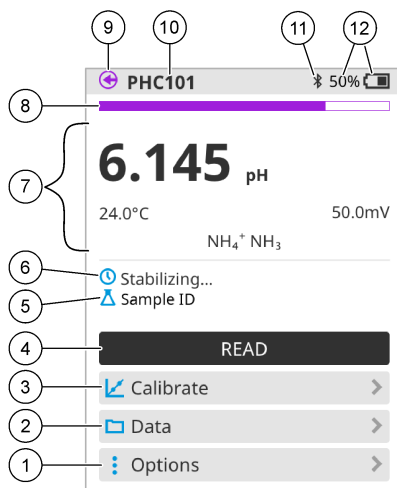
7.1 Pagrindinis ekranas

Kai matuoklis įjungtas ir zondas yra prijungtas prie matuoklio, rodomas pagrindinis ekrano rodinys. Žr. [Paveikslėlis 9](#). Modeliai HQ4100, HQ4200, HQ4300 turi spalvotą ekraną. Modeliuose su dviem arba trimis zondų prievadais ekrane rodomi visi prijungti zondai. Žr. [Paveikslėlis 10](#).

Per pagrindinį ekraną pasiekiamos toliau išvardytos užduotys.

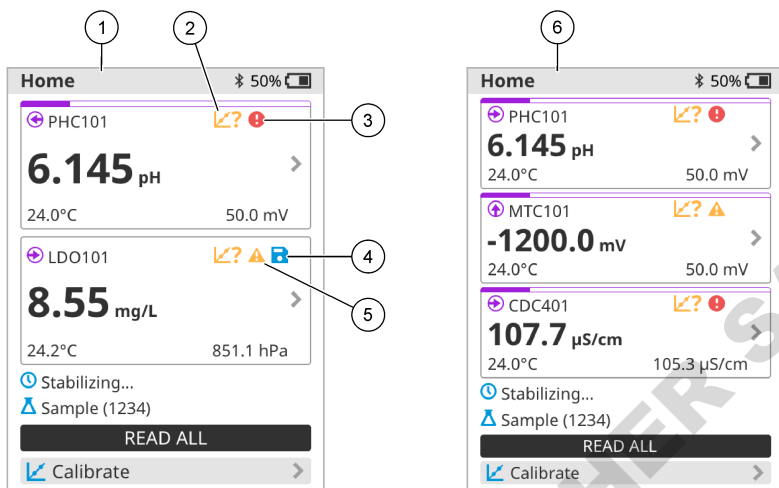
- Mėginių matavimas
- Zondo kalibravimas
- Kalibravimo patikrinimas
- Mėginio ID nustatymas (identifikavimas)
- Duomenų peržiūra ir tvarkymas
- Išsamių instrukcijų skaitymas

Paveikslėlis 9 Pagrindinio ekrano pavyzdys – vienas zondas



1 Meniu Parinktys: instrukcijų ir kitų meniu prieiga	7 Matavimo vertės skiltis: rodoma išmatuota vertė, temperatūra ir vienetai
2 Meniu Duomenys: duomenų peržiūros ir tvarkymo prieiga	8 Matavimo stabilumo būsenos indikatorius: rodoma matavimo būseną
3 Mygtukas Kalibruoti: pradedamas kalibravimas	9 „Intellical“ zondo prievadas: rodoma prijungto zondo prievado vieta
4 Mygtukas Nuskaityti: nuskaityama mėginio arba standartinio tirpalo vertė	10 „Intellical“ zondo pavadinimas: rodomas prijungto zondo modelio pavadinimas
5 Mėginio ID: rodomas matuojamo mėginio pavadinimas	11 „Bluetooth®“ piktograma (jei įrengtas „Hach“ ryšio fizinis raktasHACH komunikacijos ryšys), rodoma, kai veikia „Bluetooth“ ryšys
6 Pranešimų sritis: rodoma matavimo būseną, mėginio ID, klaidos ir įspėjimai	12 Baterijos įkrovos indikatorius: rodoma baterijos įkrovos procentinė dalis

Paveikslėlis 10 Pagrindinio ekrano pavyzdys – du arba trys zondai

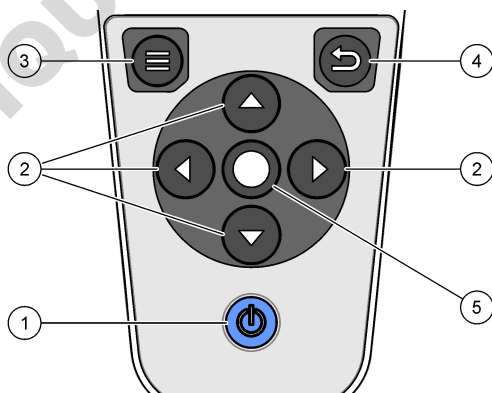


1 Pagrindinis ekranas su dviem zondais	4 Įrašymo piktograma: matavimo duomenys yra duomenų byloje
2 Kalibravimo piktograma: nurodo, kad kalibravimas nebuvo priimtas arba nebegalioja	5 Įspėjimo piktograma (žr. Trikčių šalinimas Puslapyje 324)
3 Klaidos piktograma (žr. Trikčių šalinimas Puslapyje 324)	6 Pagrindinis ekranas su trimis zondais

7.2 Klaviatūra


Klaviatūros aprašymą žr. [Paveikslėlis 11](#).

Paveikslėlis 11 Klaviatūros mygtukų aprašymas

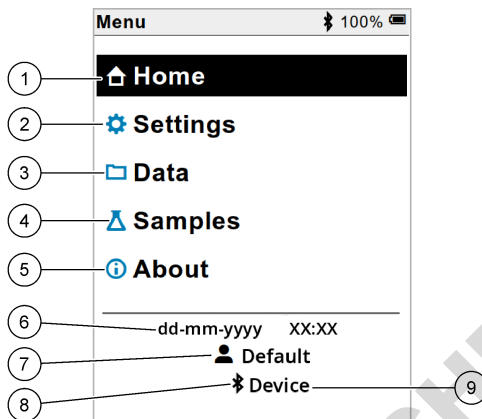


1 Įjungimo (išjungimo) mygtukas	4 Grįžimo mygtukas
2 Naršymo rodyklės	5 Pasirinkimo mygtukas
3 Meniu mygtukas	

7.3 Pagrindinis meniu

Paspauskite , kad atvertumėte pagrindinį meniu. Žr. [Paveikslėlis 12](#).

Paveikslėlis 12 Pagrindinio meniu aprašas



1 Pradžią ekranas	4 Mėginio ID meniu	7 Naudotojo ID
2 Meniu Nustatymai	5 Apie matuoklio ekraną	8 „Bluetooth®“ piktograma (jeigu įrengtas HCD)
3 Meniu Duomenys	6 Data ir laikas	9 „Bluetooth®“ įrenginio ID (jeigu įrengtas HCD)

Skyrius 8 Veikimas

Šiame skyriuje pateikiamos bendrosios matuoklio naudojimo instrukcijos. Išsamesnių instrukcijų ieškokite matuoklio ekrane arba zondo naudotojo vadove.

8.1 Mėginių matavimas


Toliau nurodyti bendri mėginių matavimo su matuokliu veiksmai.

1. Pasirinkite matavimo režimą. Žr. [Skaitiklio nustatymai](#) Puslapyje 322.
2. Paruoškite mėginį matavimui. Vadovaukitės instrukcijomis matuoklio ekrane arba zondo naudotojo vadove.
3. Mėginį išmatuokite taip, kaip aprašyta toliau.
 - **Režimas „Paspausti ir skaityti“:** pasirinkite Nuskaityti (arba Nuskaityti viską), kad būtų išmatuota mėginio vertė. Matuoklis automatiškai įrašo vertę.
 - **Intervalo režimas:** pasirinkite „Pradėti“ (arba „Pradėti viską“), kad būtų pradėti matavimai. Matuoklis automatiškai išmatuoja ir įrašo mėginio vertę nurodytais laiko intervalais. Pasirinkite „Stabdyti“ (arba „Stabdyti viską“), kad sustabdytumėt matavimus.
 - **Nuolatinis režimas:** matuoklis nepertraukiamai matuoja mėginio vertę. Pasirinkite Išsaugoti (arba „Įrašyti viską“), kad įrašytumėte ekrane rodomą vertę.

Po kiekvieno matavimo ekrane parodomas rezultatas. Jeigu rezultatas įrašomas į duomenų bylą, ekrane parodoma įrašymo piktograma.

8.2 Zondo kalibravimas


Toliau nurodyti bendri zondo kalibravimo su matuokliu veiksmai. Norėdami pakeisti kalibravimo parametrus, žr. [Zondo nustatymai](#) Puslapyje 323

1. Pagrindiniame ekrane pasirinkite  Kalibruoti. Jei prijungtas daugiau nei vienas zondas, pasirinkite kalibruotiną zondą. Ekrane parodomas kalibravimui naudotinas tirpalas ar tirpalai.
2. Paruoškite kalibravimui buferinius arba standartinius tirpalus. Vadovaukitės instrukcijomis matuoklio ekrane arba zondo naudotojo vadove.
3. Kalibravimui pradėti pasirinkite Nuskaityti. Matuoklis išmatuoja kalibravimo tirpalo vertę. Kai matavimas baigiamas, ekrane parodomas rezultatas.
4. Pasirinkite Nuskaityti, kad išmatuotumėte kitų buferinių arba standartinių tirpalų vertę, jei reikia. Pasirinkite Išsaugoti, kad kalibravimą įrašytumėte.

Pastaba: Jei kalibravimas nėra priimamas, vadovaukitės trikčių šalinimo nurodymais matuoklio ekrane arba zondo naudotojo vadove.

8.3 Kalibravimo patikrinimas

Toliau nurodyti bendri zondo tikrinimo su matuokliu veiksmai. Norėdami pakeisti tikrinimo parametrus, žr. [Zondo nustatymai](#) Puslapyje 323

1. Pagrindiniame ekrane pasirinkite Parinkty > Patvirtinti kalibravimą. Ekrane rodoma, kokį buferinį arba standartinį tirpalą naudoti tikrinimui.
2. Paruoškite tikrinimui buferinį arba standartinį tirpalą. Vadovaukitės instrukcijomis matuoklio ekrane arba zondo naudotojo vadove.
3. Tikrinimui pradėti pasirinkite Nuskaityti. Matuoklis išmatuoja tikrinimo tirpalo vertę. Kai matavimas baigiamas, ekrane parodomas rezultatas.
4. Jei tikrinimas pavyko , pasirinkite Išsaugoti, kad įrašytumėte jo rezultatą.

Pastaba: Jei tikrinimas nėra priimamas, vadovaukitės trikčių šalinimo nurodymais matuoklio ekrane arba zondo naudotojo vadove.

8.4 Mėginio ID ir matavimo duomenų įtraukimas


Prietaise gali būti įrašytas mėginio pavadinimas (ID) ir išsaugoti matavimo duomenys. Įveskite į prietaisą kelis mėginių pavadinimus, tada prieš matuodami mėginius pasirinkite atitinkamą pavadinimą. Prie mėginių pavadinimų prietaisas prideda numerį, pvz., „Mėginio pavadinimas (2)“.

1. Paspauskite  ir pasirinkite Mėginiai.
2. Pasirinkite parinktį.

Parinktis	Aprašas
Mėginys	Parentomas mėginio pavadinimas, kuris bus įrašytas su mėginio matavimo duomenimis.
Sukurti naują mėginį	Atidaromas ekranas naujiems mėginių pavadinimams įvesti. Mėginių pavadinimus gali sudaryti raidės ir skaičiai.
Trinti mėginius	Pašalinami mėginių pavadinimai.

8.5 Naudotojo ID įtraukimas su įrašomais duomenimis

Prietaise su įrašomais duomenimis galima įrašyti naudotojo vardą (ID). Įveskite į prietaisą kelis naudotojų vardus, tada prieš pradėdami kalibravimo ar matavimo darbus pasirinkite atitinkamą naudotojo vardą.


1. Paspauskite  ir pasirinkite Nustatymai. Parodomas nustatymų sąrašas.
2. Pasirinkite Naudotojai.
3. Pasirinkite parinktį.

Parinktis	Aprašas
Naudotojas	Parentamas naudotojo vardas. Pagrindinio meniu ekrane parodomas pasirinkto naudotojo vardas ir įrašomas su saugomais duomenimis.
Sukurti naują naudotoją	Atveriamas ekranas naujiems naudotojų vardams įvesti. Naudotojų vardus gali sudaryti raidės ir skaičiai.
Trinti naudotojus	Pašalinami naudotojų vardai.

Skyrius 9 Skaitiklio nustatymai

Norėdami pakeisti bendruosius skaitiklio nustatymus, atlikite šiuos veiksmus.

Pastaba: Jeigu apsaugota slaptažodžiu, tam tikri meniu gali būti neprieinami. Informacijos apie prieigos kontrolę ieškokite internetiniame vartotojo vadove.

1. Paspauskite  ir pasirinkite Nustatymai. Parodomas nustatymų sąrašas.
2. Pasirinkite parinktį.


Parinktis	Aprašas
[Zondo vardas]	Pakeičia matavimo, kalibravimo ir patikros zondo parametrus. Norėdami pakeisti prijungto zondo nustatymus, žiūrėkite Zondo nustatymai Puslapyje 323.
Matavimo režimas	Nustatoma, kai pradėdami matavimai. Parinkty: Pastumti ir nuskaityti, Nuolatinis arba Intervalas. Pastumti ir nuskaityti: mėginys matuojamas tik tada, kai stumiamas Nuskaityti. Duomenys išsaugomi duomenų žurnale automatiškai, kai įvykdomi stabilumo kriterijai. Intervalas: Mėginys matuojamas reguliariais intervalais tam tikrą laiką. Duomenys duomenų žurnale saugomi automatiškai. Nuolatinis: Skaitiklis nuolat matuoja mėginio vertę. Duomenys duomenų žurnale išsaugomi tik tada, kai vartotojas pasirenka Išsaugoti.
Temperatūra	Nustato temperatūros vienetus į ° C arba ° F.
Ekranas	Pakeičia ekrano parametrus. Parinkty: Ryškumas, Foninis apšvietimas ir Išjungti. Ryškumas: Pakeičia foninio apšvietimo intensyvumą. Parinkty: nuo 10 iki 100 % (numatytoji: 50 %). Foninis apšvietimas: Išjungia foninį apšvietimą, kai skaitiklis nenaudojamas nustatyta laiką. Parinkty: 15 sekundžių, 30 sekundžių, 1 minutė, 5 minutės arba Niekada. Išjungti: nustato matuoklį, kad jis būtų išjungtas, kai jis nenaudojamas nustatyta laiką. Parinkty: 1 minutė, 2 minutės, 5 minutės, 10 minučių, 30 minučių, 1 valanda, 2 valandos arba Niekada.
Garsas	Nustato skaitiklį, kad jis skleisų garsą paspaudžiant klavišus ar siunčiant pranešimus. Parinkty: Mygtuko paspaudimas, Stabilumo perspėjimas, Priminimas, Klaida / įspėjimo perspėjimas arba (akumuliatorius) Įkrovimas baigtas .
Naudotojai	Parenta vartotoją, pridėda naują vartotoją arba ištrina jį.
Data-laikas	Nustato datos / laiko formatą, datą ir laiką skaitiklyje.
Kalba	Nustato skaitiklio kalbą.

Parinktis	Aprašas
Prieiga	Nustatomas slaptažodis, neleidžiantis pasiekti zondo nustatymų, kai kurie skaitiklio nustatymai (matavimo režimas, temperatūra, kalba) ir programinės įrangos atnaujinimai. Vartotojas be slaptažodžio negali ištrinti nustatymų ar duomenų, kai įjungta prieigos kontrolė.
Diagnostika	Sukuria diagnostikos failą techninei pagalbai ar aptarnavimui, jei iškyla techninių problemų. Norėdami gauti failą, vartotojas turi prijungti skaitiklį prie kompiuterio.

Skyrius 10 Zondo nustatymai

Prijungus zondą prie matuoklio, galima pakeisti zondo matavimų, kalibravimų ir patikrinimų nustatymus. Vadovaukitės toliau aprašytais veiksmais, kad pasiektumėte prijungto zondo nustatymus. Išsamesius nustatymų aprašymo ieškokite matuoklio internetiniame naudotojo vadove.

Pastaba: Jeigu apsaugota slaptažodžiu, tam tikri meniu gali būti neprieinami. Daugiau informacijos apie saugumo nustatymus rasite internetiniame naudotojo vadove.


1. Paspauskite  ir pasirinkite Nustatymai. Parodomas nustatymų sąrašas.
2. Pasirinkite zondo pavadinimą.
3. Pasirinkite atitinkamą parinktį: Matavimas, Kalibravimas ar Patvirtinimas.

Skyrius 11 Duomenų valdymas

Matuoklis įrašo mėginių matavimų, kalibravimų ir patikrinimų duomenis toliau aprašytu būdu.

- Mėginių matavimai – matuoklis automatiškai įrašo išmatuoto mėginio duomenis, kai matavimo režimas yra „Paspausti ir matuoti“ arba „Intervalas“. Kai matavimo režimas yra „Nuolatinis“, norint įrašyti išmatuoto mėginio duomenis, būtina pasirinkti „Įrašyti“. Kai išmatuoto mėginio duomenys atsiduria duomenų byloje, pagrindiniame ekrane parodoma įrašymo piktograma.
- Kalibravimo duomenys – norint įrašyti kalibravimo duomenis, būtina pasirinkti „Įrašyti“. Kalibravimo duomenys įrašomi matuoklyje ir „Intellical“ zonde.
- Patikrinimo duomenys – norint įrašyti patikrinimo duomenis, būtina pasirinkti „Įrašyti“.

Norėdami duomenis peržiūrėti, eksportuoti arba panaikinti, atlikite toliau aprašytus veiksmus.

1. Paspauskite  ir pasirinkite Duomenys arba pasirinkite Duomenys pagrindiniame ekrane.
2. Pasirinkite parinktį.

Parinktis	Aprašas
Peržiūrėti duomenis	Rodomi duomenų byloje esantys duomenys. Pirmiausia rodomi naujausi duomenys. Norėdami pamatyti daugiau duomenų, paspauskite rodyklę žemyn. Kai duomenys yra kalibravimo duomenų tipo, rodoma kalibravimo piktograma. Kai duomenys yra patikrinimo duomenų tipo, rodoma patikrinimo piktograma. Norėdami pamatyti daugiau duomenų taško informacijos, pasirinkite duomenų eilutę ir paspauskite dešiniąją rodyklę. Norėdami pritaikyti filtrą ir peržiūrėti tik išfiltruotus duomenis, paspauskite kairiąją rodyklę ir pasirinkite parametą, duomenų tipą arba duomenų intervalą.
Eksportuoti duomenis	Visų duomenų kopija nusiunčiama duomenų byloje į prijungtą asmeninį kompiuterį arba USB atmintinę. Norėdami prijungti prietaisą prie asmeninio kompiuterio, žr. Paveikslėlis 4 Puslapyje 314. Norėdami prijungti prietaisą prie standartinės USB atmintinės, naudokite „micro“ USB jungties į A tipo USB jungtį adapterį. Arba naudokite USB atmintinę su „micro“ USB jungtimi. Prietaisui prisijungus prie kompiuterio, atidaromas disko su „HQ-Series“ pavadinimu Failų naršyklės langas. Išskleiskite diską ir ieškokite poaplankio su matuoklio pavadinimu ir serijos numeriu. Duomenų failas rodomas kaip .csv formato failas, kurio pavadinimą sudaro data ir laikas. Įrašykite .csv failą į pasirinktą vietą asmeniniame kompiuteryje. Pastaba: Jeigu Failų naršyklės langas automatiškai nėra atidaromas, atidarykite Failų naršyklės langą ir ieškokite jame disko su pavadinimu „HQ-Series“.

Parinktis**Aprašas****Kalibravimo istorija**

Rodomi naujausi ir ankstesni prijungto zondo kalibravimo duomenys.

Trinti duomenis

Panaikinami visi duomenų bylos duomenys. Jeigu apsaugota slaptažodžiu, duomenų naikinimo parinktis gali būti neprieinama.

Skyrius 12 Techninė priežiūra

⚠ | ATSARGIAI



Išvairūs pavojai. Šiame dokumento skyriuje aprašytas užduotis turi vykdyti tik kvalifikuoti darbuotojai.

12.1 Prietaiso valymas

Prietaiso išorę pagal poreikį valykite drėgna audeklo skiaute ir švelniu muilo tirpalu, tada nušluostykite jį sausai.

12.2 Pakeiskite bateriją

Jeigu baterija neįkraunama arba neišlaiko įkrovos, bateriją pakeiskite. Naudokite tik gamintojo tiekiamą bateriją ir baterijos įkroviklį. Žr. [Baterijos įdėjimas](#) Puslapyje 312.



12.3 Paruošimas siuntimui

Prietaise yra ličio jonų baterija, kuri reglamentuojama kaip pavojingoji medžiaga ir turi atitikti pavojingųjų prekių transportavimo visų rūšių transportu reglamentus. Norėdami išsiųsti prietaisą taisymo ar techninės priežiūros darbams, naudokite toliau aprašytas procedūras.

- Prieš siųsdami, zondus atjunkite.
- Prieš siųsdami prietaisą, jį išvalykite ir padarykite nekenksmingą.
- Siekdami kuo didesnio saugumo, išimkite ličio jonų bateriją iš prietaiso ir baterijos nesiųskite. Jeigu bateriją būtina siųsti, palikite ją sumontuotą baterijos korpuse, bet neprijunkite baterijos korpuso prie prietaiso. Baterijos korpusą su įdėta baterija įdėkite į atskirą pakuotę, kad apsaugotumėte nuo sąlyčio su elektra laidžiomis medžiagomis (pvz., metalais).
- Prietaisą siųskite originalioje arba kitoje apsauginėje pakuotėje.

Skyrius 13 Trikčių šalinimas

13.1 Vadovaukitės ekrane pateikiamais trikčių šalinimo nurodymais.

Naudotojo sąsajoje yra trikčių šalinimo nurodymų, padedančių ištaisyti problemas, kurių gali kilti matuojant, kalibruojant ir tikrinant. Įvykus problemai, ekrane rodoma klaidos  arba įspėjimo  piktograma ir glaustas problemos aprašas. Paspauskite dešiniąją rodyklę, kad pamatytumėte problemai ištaisyti rekomenduojamas procedūras.

Skyrius 14 Atsarginės dalys

⚠ | ĮSPĖJIMAS



Pavojus susižeisti. Naudojant nepatvirtintas dalis galima sužaloti žmones, sugadinti prietaisą arba įrangą gali netinkamai veikti. Šiame skyriuje nurodytos atsarginės dalys yra patvirtintos gamintojo.

Pastaba: Kai kuriuose pardavimo regionuose gaminių ir prekių numeriai gali skirtis. Kreipkitės į atitinkamą pardavimo agentą arba apsilankykite bendrovės tinklalapyje, kur rasite informaciją apie asmenis, į kuriuos galite kreiptis.

Atsarginės dalys

Aprašas	Prekės Nr.
Baterija, ličio jonų, 18650, 3200 mAh, anglų kalba	LEZ015.99.00001
Baterija, ličio jonų, 18650, 3100 mAh, kinų kalba	LEZ015.80.00001
Kabelis, USB 2.0, A tipo kištukas į „micro B“ tipo kištuką, 0,91 m (3 pėdos)	LEZ015.99.00002
Standartinių zondų dėžė darbui vietoje	LEZ015.99.A001A
Sutvirtintų zondų dėžė darbui vietoje	LEZ015.99.A002A
Riešo dirželis ir dulkių kištukai	LEZ015.99.A005A
Stovas su riešo virvele	LEZ015.99.A003A
Apsauginė pirštinė	LEZ015.99.A004A
USB maitinimo adapteris, 5 V NS, 2 A, 100–240 V KS, JAV	LEZ015.99.00006
USB maitinimo adapteris, 5 V NS, 2 A, 100–240 V KS, ES + JK	LEZ015.99.00004
USB maitinimo adapteris, 5 V NS, 2 A, 100–240 V KS, Kinija	LEZ015.99.00005
USB maitinimo adapteris, 5 V NS, 2 A, 100–240 V KS, likusio pasaulio sektorius	LEZ015.99.00007

DOMINIQUE DUTSCHER

Оглавление

- | | | | |
|---|--|----|---|
| 1 | Онлайн-руководство пользователя на стр. 326 | 8 | Эксплуатация на стр. 339 |
| 2 | Основная информация о приборе на стр. 326 | 9 | Настройки прибора на стр. 341 |
| 3 | Характеристики на стр. 327 | 10 | Настройки датчика на стр. 342 |
| 4 | Общая информация на стр. 328 | 11 | Управление данными на стр. 342 |
| 5 | Монтаж на стр. 331 | 12 | Обслуживание на стр. 343 |
| 6 | Начало работы на стр. 335 | 13 | Поиск и устранение неисправностей на стр. 344 |
| 7 | Пользовательский интерфейс и навигация на стр. 336 | 14 | Запасные части на стр. 344 |

Раздел 1 Онлайн-руководство пользователя

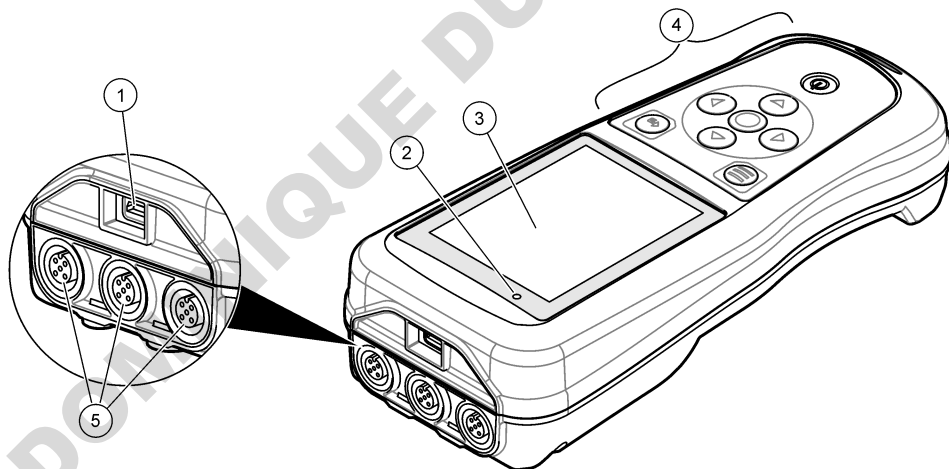
Это Базовое руководство пользователя содержит меньше информации, чем руководство пользователя, доступное на веб-сайте производителя.

Раздел 2 Основная информация о приборе

Портативные измерительные приборы серии HQ используются с цифровыми датчиками Intellical для измерения одного или нескольких параметров качества воды. См. [Рисунок 1](#). Измерительный прибор автоматически распознает тип подключенного к нему датчика. Измерительный прибор можно подключать к ПК или USB-накопителю для передачи данных, сохраненных в измерительном приборе. Дополнительный адаптер связи Nach (HCD) соединяет измерительный прибор с Claros.

Серия портативных измерительных приборов HQ представлена восемью моделями: В [Таблица 1](#) показаны типы датчиков, которые можно подключить к каждой модели.

Рисунок 1 Основная информация о приборе



1	Разъем Micro-USB	4	Клавиатура
2	Светодиодный индикатор	5	Порты для датчиков Intellical (показана опция с тремя портами для датчиков)
3	Дисплей		

Таблица 1 Модели измерительных приборов серии HQ

Модель измерительного прибора	Разъемы для датчиков	pH/мВ/ОВП ¹ датчики	LDO/LBOD ² датчики	Проводимость ³ датчики	ISE ⁴ датчики
HQ1110	1	✓			
HQ1130	1		✓		
HQ1140	1			✓	
HQ2100	1	✓	✓	✓	
HQ2200	2	✓	✓	✓	
HQ4100	1	✓	✓	✓	✓
HQ4200	2	✓	✓	✓	✓
HQ4300	3	✓	✓	✓	✓

Раздел 3 Характеристики

Характеристики могут быть изменены без предварительного уведомления.

Характеристика	Подробная информация
Размеры (Д x Ш x В)	22 x 9,7 x 6,3 см (8,7 x 3,8 x 2,5")
Масса	HQ1110, HQ1130, HQ1140 и HQ2100: 519 г (18,3 унций); HQ2200: 541 г (19,1 унций); HQ4100: 530 г (18,7 унций); HQ4200: 550 г (19,4 унций); HQ4300: 570 г (20,1 унций)
Класс защиты корпуса	IP67 с установленным аккумуляторным отсеком
Питание (от внутреннего источника)	Литий-ионный аккумулятор 18650 (диаметр 18 мм x длина 65 мм, цилиндрический), 3,7 В пост. тока, 3200 мАч; Время работы от аккумулятора: > 1 неделя при обычном использовании (10 показаний/день, 5 дней/неделя в непрерывном режиме или в режиме "Нажать, чтобы снять показание", или > 24 часов в режиме с интервалами при интервалах 5 минут и таймером отключения ≤ 15 минут)
Питание (от внешнего источника)	Класс II, адаптер питания USB: 100 - 240 В перем. тока, вход 50/60 Гц; 5 В пост. тока при выходе 2 А адаптера питания USB
Класс защиты измерительного прибора	Класс МЭК III (SELV (отдельное/безопасное с очень низким напряжением) питание); адаптер питания USB относится к классу МЭК II (двойная изоляция)
Рабочая температура	от 0 до 60 °C (от 32 до 140 °F)
Температура зарядки	от 10 до 40 °C (от 50 до 104 °F)
Рабочая влажность	90% (без конденсации)
Температура хранения	от -20 до 60 °C (от -4 до 140 °F) максимальная относительная влажность 90% (без конденсации)
Разъем для датчиков	5-контактный разъем M12 для датчиков Intellical

¹ Датчики pH/мВ/ОВП, включая температуру

² Датчики LDO/LBOD, включая температуру

³ Датчики проводимости, включая соленость, TDS (общее количество растворенных твердых веществ), удельное сопротивление, температуру

⁴ Ион-селективные датчики, например датчики аммония, нитратов, хлоридов, фторидов, натрия

Характеристика	Подробная информация
Разъем Micro-USB	Разъем micro-USB позволяет соединять кабель USB с адаптером питания USB.
Журнал данных (внутренний)	Серия HQ1000: 5000 точек данных; серия HQ2000: 10 000 точек данных; серия HQ4000: 100 000 точек данных
Хранение данных	Автоматическое сохранение в режиме "Нажать, чтобы снять показание" и в режиме с интервалами. Ручное хранение в непрерывном режиме.
Экспорт данных	Через USB-подключение на ПК или USB-накопитель (ограничено объемом памяти устройства)
Температурная поправка	Выкл., автоматическая или ручная (зависит от параметра)
Сертификации	CE, UKCA, FCC, ISED, RCM, KC, ETL Проверено: US DOE/ Энергоэффективность NRCan, RoHS
Гарантия	Серия HQ1000 и HQ2000: 1 год (США), 2 года (ЕС); серия HQ4000: 3 года (США), 3 года (ЕС)

Раздел 4 Общая информация

Ни при каких обстоятельствах производитель не несет ответственности за ущерб, причиненный в результате ненадлежащего использования прибора или несоблюдения инструкций, приведенных в руководстве. Производитель оставляет за собой право вносить изменения в руководство или описанную в нем продукцию без извещений и обязательств. Обновленные версии руководства можно найти на веб-сайте производителя.

4.1 Информация по безопасности

Изготовитель не несет ответственности за любые повреждения, вызванные неправильным применением или использованием изделия, включая, без ограничения, прямой, неумышленный или косвенный ущерб, и снимает с себя ответственность за подобные повреждения в максимальной степени, допускаемой действующим законодательством. Пользователь несет исключительную ответственность за выявление критических рисков в работе и установку соответствующих механизмов для защиты обследуемой среды в ходе возможных неполадок оборудования.

Внимательно прочтите все руководство пользователя, прежде чем распаковывать, устанавливать или вводить в эксплуатацию оборудование. Соблюдайте все указания и предупреждения относительно безопасности. Их несоблюдение может привести к серьезной травме обслуживающего персонала или выходу из строя оборудования.

Чтобы гарантировать, что обеспечиваемая оборудованием защита не нарушена, не используйте или не устанавливайте данное оборудование никаким иным способом, кроме указанного в данном руководстве.

4.2 Информация о потенциальных опасностях

▲ ОПАСНОСТЬ

Указывает на потенциально или непосредственно опасные ситуации, которые, если их не избежать, приведут к смерти или серьезным травмам.

▲ ПРЕДУПРЕЖДЕНИЕ

Указывает на потенциально или непосредственно опасные ситуации, которые, если их не избежать, могут привести к смерти или серьезным травмам.

▲ ОСТОРОЖНО

Указывает на потенциально опасную ситуацию, которая может привести к травмам малой и средней тяжести.

УВЕДОМЛЕНИЕ

Указывает на ситуацию, которая, если ее не избежать, может привести к повреждению оборудования. Информация, на которую следует обратить особое внимание.

4.3 Этикетки с предупредительными надписями

Прочитайте все наклейки и ярлыки на корпусе прибора. При несоблюдении указанных на них требований существует опасность получения травм и повреждений прибора. Нанесенный на корпус прибора предупредительный символ вместе с предостережением об опасности или осторожности содержится в руководстве пользователя.

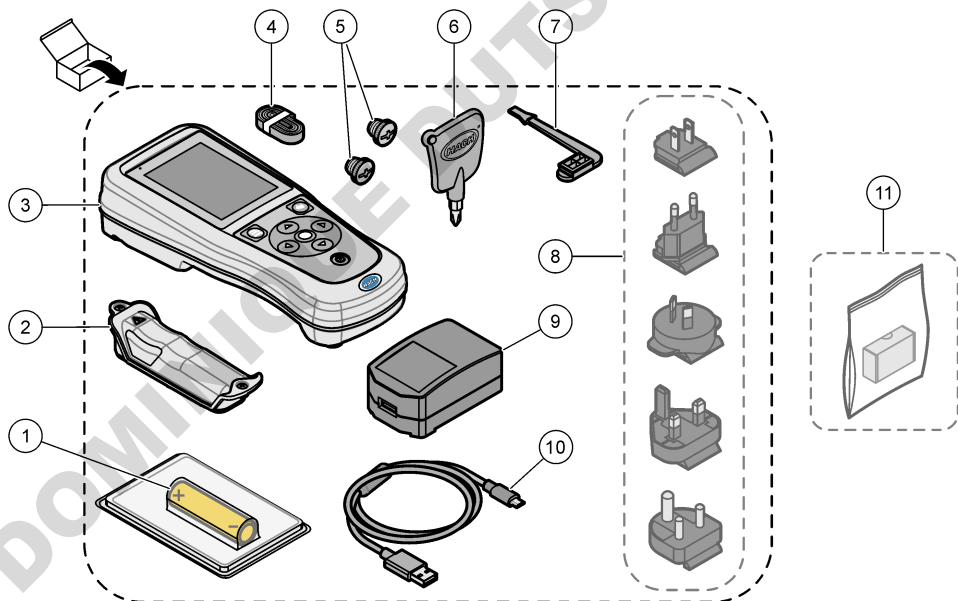


Возможен запрет на утилизацию электрооборудования, отмеченного этим символом, в европейских домашних и общественных системах утилизации. Пользователь может бесплатно вернуть старое или неработающее оборудование производителю для утилизации.

4.4 Комплектация прибора

Убедитесь в том, что все компоненты в наличии. См. [Рисунок 2](#). Если какой-либо элемент отсутствует или поврежден, немедленно свяжитесь с производителем или торговым представителем.

Рисунок 2 Комплектация прибора



1 Литий-ионный аккумулятор	7 Заглушка USB-порта
2 Аккумуляторный отсек	8 Дополнительные штекеры питания
3 Измерительный прибор	9 Адаптер питания USB
4 Наручный ремешок	10 Кабель USB, тип А на микро, 1 м (3,3 фута)
5 Заглушки разъема датчика	11 Дополнительный адаптер связи Nach (HCD)
6 Отвертка (крестовая №1)	

4.5 Сертификация

Канадские нормативные требования к оборудованию, вызывающему помехи, ICES-003, класс В:

Прилагающиеся протоколы испытаний находятся у производителя.

Данное цифровое устройство класса В отвечает всем требованиям канадских норм относительно вызывающего помехи оборудования.

Cet appareil numérique de classe B répond à toutes les exigences de la réglementation canadienne sur les équipements provoquant des interférences.

Правила FCC, часть 15, ограничения класса "В"

Прилагающиеся протоколы испытаний находятся у производителя. Данное устройство соответствует требованиям части 15 правил FCC. Эксплуатация может производиться при выполнении двух следующих условий:

1. Устройство не должно создавать опасные помехи.
2. Устройство должно допускать любое внешнее вмешательство, в том числе способное привести к выполнению нежелательной операции.

Изменения и модификации данного устройства без явного на то согласия стороны, ответственной за соответствие стандартам, могут привести к лишению пользователя прав на эксплуатацию данного устройства. Результаты испытаний данного устройства свидетельствуют о соответствии ограничениям для цифровых устройств класса "В", изложенным в части 15 правил FCC. Данные ограничения предназначены для обеспечения разумной защиты от вредных помех при работе оборудования в коммерческой среде. Данное устройство генерирует, использует и может излучать радиочастотную энергию, и в случае остановки и использования вопреки требованиям руководства по эксплуатации может стать источником помех, опасных для устройств радиосвязи. Эксплуатация данного устройства в жилых районах может привести к возникновению опасных помех – в этом случае пользователь будет обязан устранить их за свой счет. Для сокращения помех можно использовать следующие методы:

1. Переместите устройство подальше от прибора, для работы которого он создает помехи.
2. Поменяйте положение антенны другого устройства, принимающего помехи.
3. Попробуйте разные сочетания указанных выше мер.

4.6 Адаптер связи Nach (дополнительно)

Дополнительный адаптер связи Nach (HCD) использует Bluetooth®⁵ с низким энергопотреблением для соединения с Claros. Для установки и эксплуатации устройства следуйте всем инструкциям и предупреждениям производителя. Подробнее см. в документации, поставляемой вместе с HCD.

4.7 Назначение

⚠ ОСТОРОЖНО



Опасность вредного химического воздействия. Необходимо соблюдать правила техники безопасности работы в лаборатории и использовать все средства индивидуальной защиты, соответствующие используемым химическим веществам. При составлении протоколов по технике безопасности воспользуйтесь действующими паспортами безопасности / паспортами безопасности материалов (MSDS/SDS).

⁵ Слово и логотип Bluetooth® являются зарегистрированными торговыми марками Bluetooth SIG, Inc., любое использование этих марок компанией HACH осуществляется на основании лицензии.

Портативные измерители серии HQ предназначены для использования отдельными лицами, которые измеряют параметры качества воды в лаборатории или в полевых условиях. Измерительные приборы серии HQ не обрабатывают и не изменяют воду.

Раздел 5 Монтаж

▲ ОПАСНОСТЬ



Различные опасности. Работы, описываемые в данном разделе, должны выполняться только квалифицированным персоналом.

5.1 Безопасность при работе с литиевым аккумулятором

▲ ПРЕДУПРЕЖДЕНИЕ



Опасность возгорания и взрыва. В случае неправильной эксплуатации литиевые батареи могут нагреться, взорваться или воспламениться и привести к серьезным травмам.

- Не используйте батарею, если на ней имеются видимые повреждения.
- Не используйте батарею после сильных ударов или вибрацией.
- Не оставляйте батарею рядом с открытым огнем или источником воспламенения.
- Аккумулятор должен находиться при температуре ниже 70 °C (158 °F).
- Избегайте попадания воды на батарею.
- Избегайте контактов между положительными и отрицательными полюсами батареи.
- Посторонним запрещается прикасаться к батарее.
- Утилизируйте батареи в соответствии с местным, региональным и государственным законодательством.
- Не используйте и не храните прибор в зоне действия прямых солнечных лучей, вблизи источников тепла и помещениях с высокой температурой воздуха, например в закрытом автомобиле, оставленном на солнце.

5.2 Установка батареи

▲ ПРЕДУПРЕЖДЕНИЕ



Опасность возгорания и вероятность взрыва. В данном оборудовании используется высокоэнергетическая литиевая батарея, которая может возгораться и привести к пожару или взрыву, даже при отсутствии электропитания. Чтобы поддерживать безопасность, обеспечиваемую кожухом прибора, необходимо установить и надежно закрепить при помощи предоставленных крепежных деталей панели кожуха прибора.

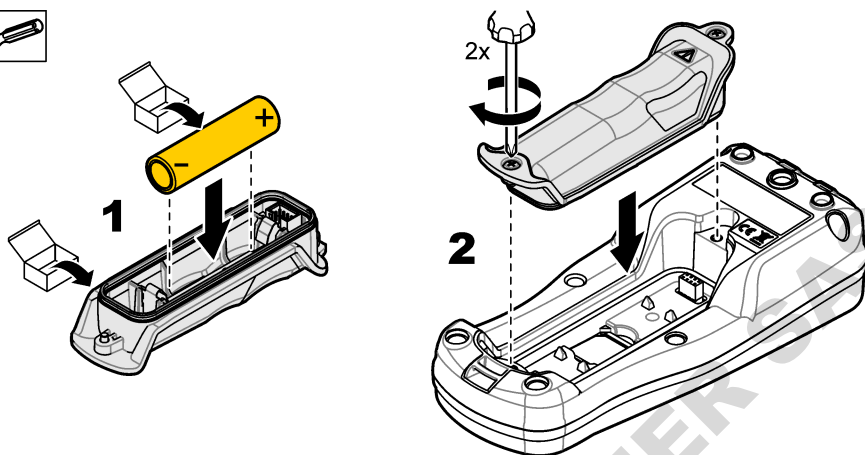
▲ ПРЕДУПРЕЖДЕНИЕ



Опасность взрыва и пожара. Замена батареи не разрешается. Используйте батареи, которые поставляются только производителем оборудования.

Используйте только литий-ионный аккумулятор, поставляемый производителем. Порядок установки и снятия аккумулятора см. в [Рисунке 3](#).

Рисунок 3 Установка и снятие аккумулятора



5.3 Зарядка аккумулятора

▲ ОПАСНОСТЬ



Опасность смертельного поражения электрическим током. При использовании данного оборудования вне помещения или в условиях потенциальной повышенной влажности для подключения оборудования к электросети необходимо использовать устройства размыкания цепи при замыкании на землю (GFCI/GFI).

▲ ПРЕДУПРЕЖДЕНИЕ



Опасность возникновения пожара. Следует использовать только внешний источник питания, указанный для данного прибора.

▲ ПРЕДУПРЕЖДЕНИЕ



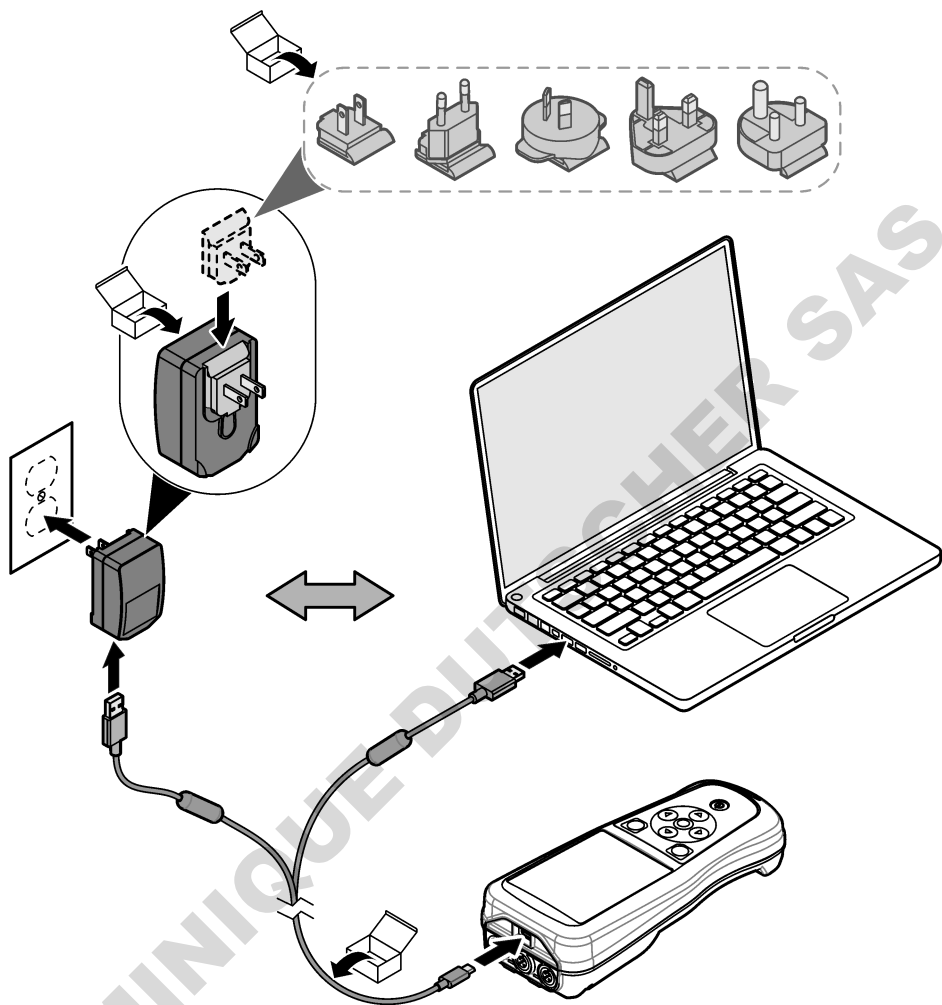
Опасность поражения электрическим током. Внешнее подключаемое оборудование должно соответствовать применимым национальным правилам техники безопасности.

УВЕДОМЛЕНИЕ

Всегда устанавливайте заглушку порта USB, когда он не используется, чтобы поддерживать его в чистоте и предотвратить коррозию. Не заряжайте аккумулятор, если порт USB влажный, грязный или имеет следы коррозии. См. [Установка заглушек портов USB и датчиков](#) на стр. 335.

Для зарядки аккумулятора используйте поставляемый в комплекте кабель USB и адаптер питания USB или ПК. См. [Рисунок 4](#). Когда прибор подключен к источнику питания и нажата кнопка включения/выключения, загорается зеленый светодиодный индикатор. Пользователь может работать с прибором во время зарядки аккумулятора. Время полной зарядки полностью разряженного аккумулятора составляет примерно 5 часов при условии использования адаптера питания USB и выключенного питания прибора. Всегда устанавливайте заглушку порта USB, когда порт USB не используется. См. [Установка заглушек портов USB и датчиков](#) на стр. 335.

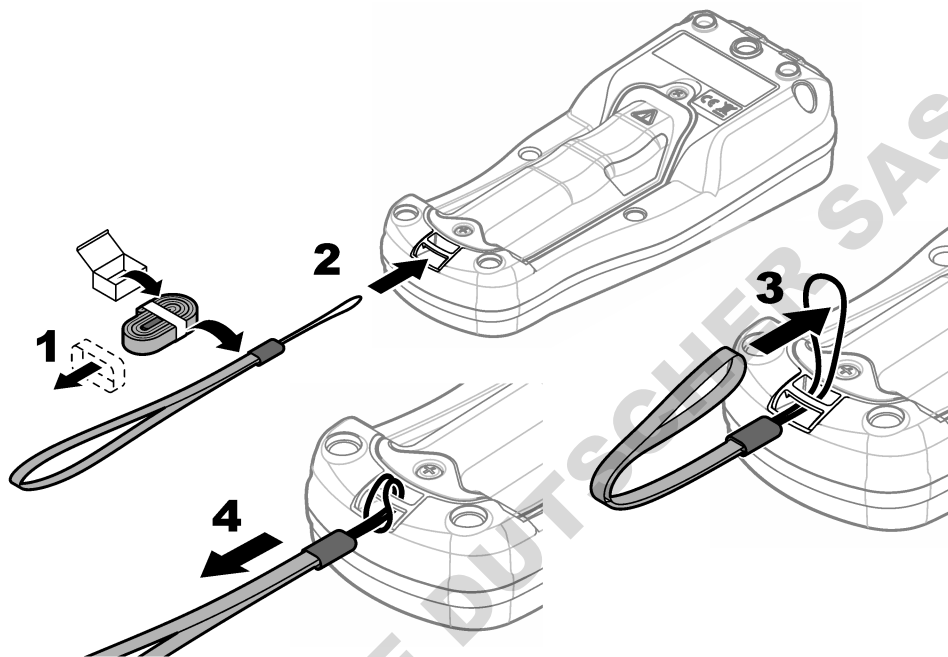
Рисунок 4 Подключение к адаптеру питания USB или ПК



5.4 Установка ремешка

Установите ремешок для безопасного ношения измерительного прибора на руке. См. [Рисунок 5](#).

Рисунок 5 Установка ремешка



5.5 Установка заглушек портов USB и датчиков

Всегда устанавливайте заглушки портов USB и датчиков, когда порты не используются, чтобы поддерживать их в чистоте и предотвратить коррозию. Заглушки портов должны быть установлены в неиспользуемые порты, чтобы сохранить соответствующую категорию безопасности корпуса прибора. См. [Рисунок 6](#) и [Рисунок 7](#).

Примечание: [Рисунок 6](#) показывает измерительный прибор с тремя портами датчиков. Некоторые модели измерительных приборов имеют только один или два порта датчиков.

Рисунок 6 Установка заглушки порта

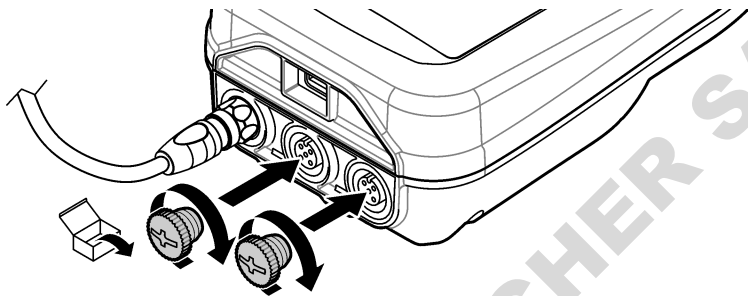
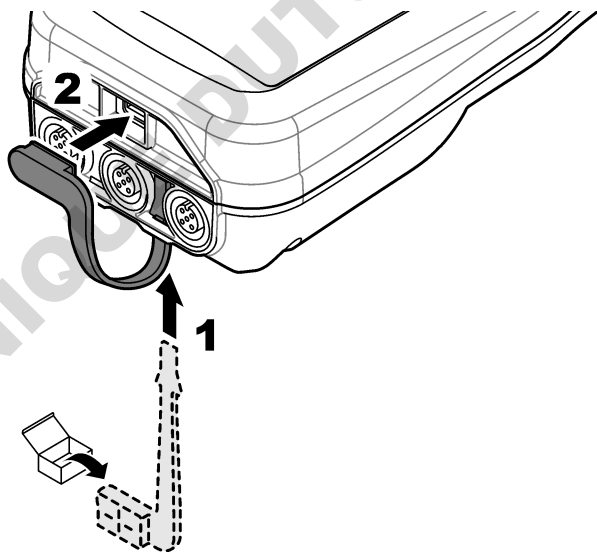



Рисунок 7 Установка заглушки USB-порта



Раздел 6 Начало работы

6.1 Запуск измерительного прибора

Нажмите  для запуска измерительного прибора. Если измерительный прибор не запускается, убедитесь, что аккумулятор установлен правильно и измерительный прибор подключен к источнику питания. См. [Зарядка аккумулятора](#) на стр. 332.

6.2 Выбор языка

При первом включении измерительного прибора или при установке нового аккумулятора на дисплее отображается экран выбора языка. Выберите соответствующий язык. Также язык можно изменить в меню Settings (Настройки).

6.3 Установка даты и времени

При первом включении измерительного прибора или при установке нового аккумулятора на дисплее отображается экран "Дата-время". Чтобы установить дату и время, выполните следующие действия.

Примечание: Также дату и время можно изменить в меню Settings (Настройку).

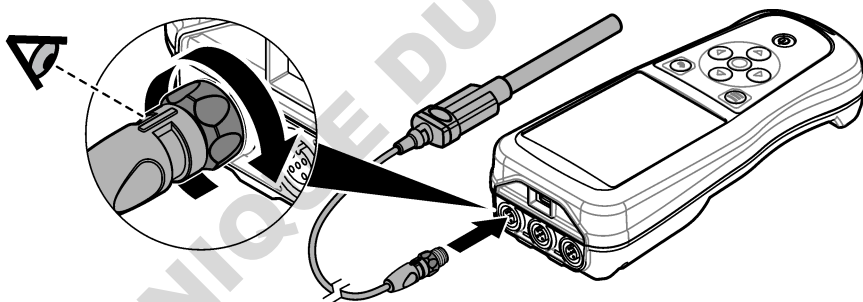
1. Используйте кнопки со стрелками вверх и вниз, чтобы выбрать формат данных.
2. Нажмите стрелку вправо, чтобы перейти к дате и времени.
3. С помощью кнопок со стрелками вверх и вниз измените дату и время.
4. Нажмите стрелку вправо, чтобы выделить пункт Сохранить .
5. Выберите Сохранить, чтобы сохранить настройки.

6.4 Подключение датчика

Перед подключением датчика убедитесь, что в измерительном приборе установлены время и дата. Временная отметка для датчика устанавливается при его первом подключении к измерительному прибору. Временная отметка автоматически записывает историю датчика и время выполнения измерений. Для подключения датчика к измерительному прибору см.

[Рисунок 8](#).

Рисунок 8 Подключение датчика к измерительному прибору



Раздел 7 Пользовательский интерфейс и навигация

После запуска на дисплее отображается главный экран. См. [Главный экран](#) на стр. 336. С помощью клавиатуры выберите доступные опции и измените значения. См. [Клавиатура](#) на стр. 338. Используйте главное меню для перехода к настройкам и другим меню. См. [Главное меню](#) на стр. 339.

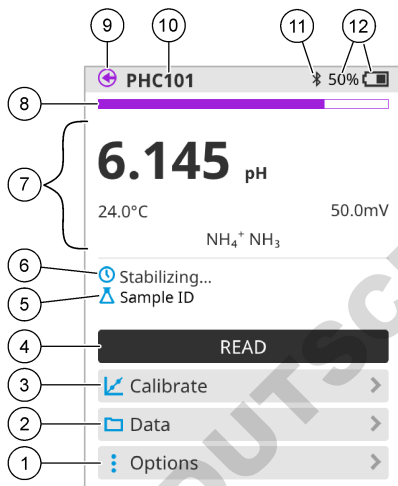
7.1 Главный экран

Когда измерительный прибор включен, а датчик подключен к измерительному прибору, на дисплее отображается главный экран. См. [Рисунок 9](#). Модели HQ4100, HQ4200, HQ4300 имеют цветной дисплей. Для моделей с двумя или тремя портами датчиков на экране отображаются все подключенные датчики. См. [Рисунок 10](#).

Следующие задачи доступны на главном экране:

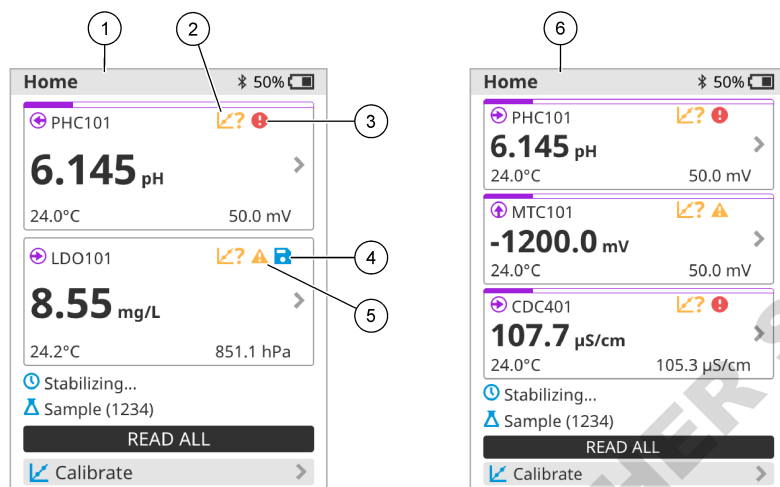
- Измерение проб
- Калибровка датчика
- Верификация калибровки
- Установка кода пробы (идентификации)
- Просмотр и управление данными
- Чтение пошаговых инструкций

Рисунок 9 Пример главного экрана — Один датчик



1 Меню Опции: Доступ к инструкциям и другим меню	7 Раздел значения измерения: Показывает измеренное значение, температуру и единицы измерения
2 Меню Данные: Доступ к просмотру данных и управлению ими	8 Индикатор состояния стабильности измерения: Показывает статус измерения
3 Кнопка Калибровать: Запускает калибровку	9 Порт датчика IntelliCAL: Показывает расположение порта подключенного датчика
4 Кнопка Считать: Считывает измеренное значение для пробы или стандартного раствора	10 Название датчика IntelliCAL: Показывает название модели подключенного датчика
5 Sample ID (Код пробы): Отображает название измеряемой пробы	11 Значок Bluetooth® (если установлен адаптер связи Hach): Отображается, когда соединение bluetooth активно
6 Область сообщений: Отображает состояние измерения, код пробы, ошибки и предупреждения	12 Индикатор заряда аккумулятора: Показывает процент заряда аккумулятора

Рисунок 10 Пример главного экрана — Два или три датчика

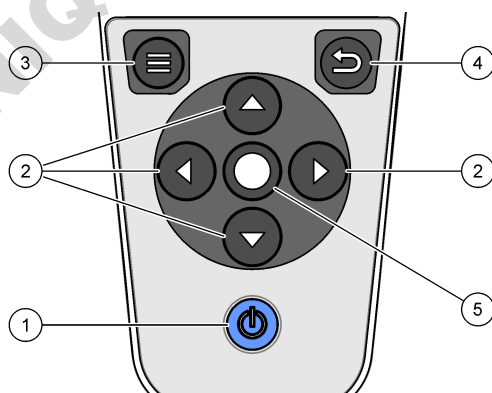


1 Главный экран с двумя датчиками	4 Значок Save (Сохранить): Данные измерений находятся в журнале данных
2 Значок калибровки: Указывает на то, что калибровка не была принята или истек срок ее действия	5 Значок предупреждения (см. Поиск и устранение неисправностей на стр. 344)
3 Значок ошибки (см. Поиск и устранение неисправностей на стр. 344)	6 Главный экран с тремя датчиками

7.2 Клавиатура

Описание клавиатуры см. в [Рисунок 11](#).

Рисунок 11 Описание клавиатуры



1 Кнопка включения/выключения	4 Клавиша "назад"
2 Стрелки навигации	5 Клавиша выбора
3 Клавиша меню	

7.3 Главное меню


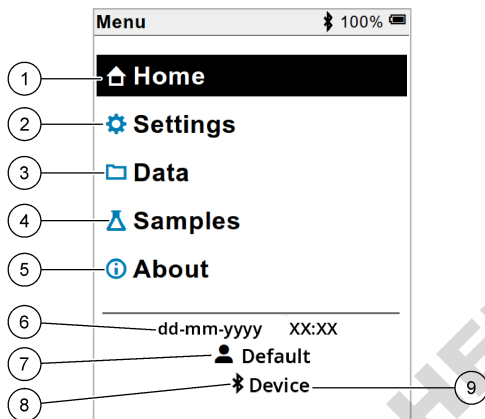
Нажмите , чтобы перейти в главное меню. См. [Рисунок 12](#).

Рисунок 12 Описание главного меню



1	Главный экран	4	Меню кода пробы	7	Код пользователя
2	Меню Настройки	5	Об экране измерительного прибора	8	Значок Bluetooth® (если установлен HCD)
3	Меню Данные	6	Дата и время	9	Идентификатор устройства Bluetooth® (если установлен HCD)

Раздел 8 Эксплуатация

В данном разделе приведены общие инструкции по эксплуатации измерительного прибора. Более подробные инструкции см. в инструкциях на экране измерительного прибора или в руководстве пользователя датчика.

8.1 Измерение проб


Ниже описываются общие действия по измерению проб с помощью измерительного прибора.

1. Выберите режим измерения. См. [Настройки прибора](#) на стр. 341.
2. Подготовьте пробу для измерения. Следуйте инструкциям, представленным на экране измерительного прибора или в руководстве пользователя датчика.
3. Измерьте характеристики пробы следующим образом:
 - **Для перехода в режим считывания:** Выберите Read Считать (или Считать все показания) для измерения значения пробы. Измерительный прибор автоматически сохраняет значение.
 - **Режим с интервалами:** Выберите Start (Запуск) (или Start all (Запустить все)), чтобы начать измерения. Измерительный прибор автоматически измеряет и сохраняет значение пробы через заданные интервалы времени. Выберите Stop (Остановить) (или Stop all (Остановить все)), чтобы остановить измерения.
 - **Непрерывный режим:** Измерительный прибор непрерывно измеряет значение пробы. Выберите Сохранить (или Save all (Сохранить все)), чтобы сохранить значение, которое отображается на экране прибора.

После каждого измерения на дисплее отображается результат. Значок сохранения отображается на дисплее, если результат сохранен в журнале данных.

8.2 Калибровка датчика

Ниже описываются общие действия по калибровке датчика с помощью измерительного прибора. Для изменения настроек калибровки см. [Настройки датчика](#) на стр. 342.

1. На главном экране выберите  Калибровать. Если подключено несколько датчиков, выберите датчик для калибровки. На дисплее отображаются растворы, которые следует использовать для калибровки.
2. Подготовьте буферный или стандартный раствор для калибровки. Следуйте инструкциям, представленным на экране измерительного прибора или в руководстве пользователя датчика.
3. Выберите Считать, чтобы начать калибровку. Измерительный прибор измеряет значение калибровочного раствора. По завершении измерения на дисплее отображается результат.
4. Выберите Считать, чтобы измерить значение других буферов или стандартных растворов, если применимо. Выберите Сохранить, чтобы сохранить калибровку.

Примечание: Если калибровка не принята, см. инструкции по устранению неисправностей на экране измерительного прибора или в руководстве пользователя датчика.

8.3 Верификация калибровки

Ниже описываются общие действия по верификации калибровки датчика с помощью измерительного прибора. Для изменения настроек верификации см. [Настройки датчика](#) на стр. 342.

1. На главном экране выберите Опции > Проверить калибровку. На дисплее отобразится буферный или стандартный раствор, который будет использоваться для верификации.
2. Подготовьте буферный или стандартный раствор для верификации. Следуйте инструкциям, представленным на экране измерительного прибора или в руководстве пользователя датчика.
3. Выберите Считать, чтобы начать верификацию. Измерительный прибор измеряет значение верификационного раствора. По завершении измерения на дисплее отображается результат.
4. Если верификация прошла успешно , выберите Сохранить, чтобы сохранить результат.

Примечание: Если верификация не принята, см. инструкции по устранению неисправностей на экране измерительного прибора или в руководстве пользователя датчика.

8.4 Добавление кода пробы к данным измерений


Прибор может записывать название пробы (код) вместе с сохраненными данными измерений. Введите в прибор несколько названий проб, затем выберите соответствующее название пробы перед началом измерений на пробах. Прибор добавляет числа к пробам с таким же названием, например "Название пробы (2)".

1. Нажмите  и выберите Пробы.
2. Выберите опцию.

Опция	Описание
Проба	Выбор названия пробы для сохранения вместе с измерениями пробы.
Создать новую пробу	Открывает экран для добавления новых названий проб. Названия проб могут содержать буквы и цифры.
Удалить пробы	Удаление названий проб.

8.5 Добавление кода пользователя к сохраненным данным

Прибор может записывать имя пользователя (код) вместе с сохраненными данными. Введите в прибор несколько имен пользователей, затем выберите соответствующее имя пользователя перед началом калибровки или измерений.


1. Нажмите  и выберите Настройки. Отобразится список настроек.
2. Выберите Пользователи.
3. Выберите опцию.

Опция	Описание
Пользователь	Выбор имени пользователя. Выбранное имя пользователя отображается на экране главного меню и сохраняется вместе с сохраненными данными.
Создать нового пользователя	Открывает экран для добавления новых имен пользователей. Имена пользователей могут содержать буквы и цифры.
Удалить пользователей	Удаление имен пользователей.

Раздел 9 Настройки прибора

Выполните следующие шаги, чтобы изменить общие настройки прибора.

Примечание: Защита паролем может заблокировать доступ к некоторым меню. Обратитесь к онлайн-руководству пользователя за информацией об управлении доступом.

1. Нажмите  и выберите Настройки. Отобразится список настроек.
2. Выберите опцию.


Опция	Описание
[Имя датчика]	Изменяет специфичные для датчика настройки для измерений, калибровки и верификации. Обратитесь к Настройке датчика на стр. 342 для изменения настроек подключенного датчика.
Режим измерения	Устанавливает, когда измерения начинаются. Опции: Нажмите, чтобы считать показания, Непрерывно или Интервал. Нажмите, чтобы считать показания: образец измеряется только при нажатии Считать. Данные сохраняются в журнале данных автоматически при соблюдении критериев устойчивости. Интервал: Измерения на пробе выполняются через равные промежутки времени в течение определенного периода времени. Данные сохраняются в журнале данных автоматически. Непрерывно: Измерительный прибор непрерывно измеряет значение пробы. Данные сохраняются в журнале данных только тогда, когда пользователь выбирает Сохранить.
Температура	Устанавливает единицы измерения температуры в °C или °F.
Дисплей	Изменяет настройки дисплея. Опции: Яркость, Подсветка и Отключение. Яркость: Изменяет интенсивность подсветки. Опции: от 10 до 100% (по умолчанию: 50%). Подсветка: Отключает подсветку, когда прибор не используется в течение указанного времени. Опции: 15 секунд, 30 секунд, 1 минута, 5 минут или Никогда. Отключение: отключение прибора, если он не используется в течение определенного времени. Опции: 1 минута, 2 минуты, 5 минут, 10 минут, 30 минут, 1 час, 2 часа или Никогда.
Звук	Устанавливает звук прибора во время нажатия клавиш или уведомлений. Опции: Кнопка нажата, Предупреждение о стабильности, Напоминание, Ошибка или Зарядка завершена.
Пользователи	Выбирает пользователя, добавляет нового пользователя или удаляет пользователя.

Опция	Описание
Дата-Время	Устанавливает формат даты / времени, дату и время в приборе.
Язык	Устанавливает язык прибора.
Доступ	Устанавливает пароль для предотвращения доступа к настройкам датчика, некоторым настройкам прибора (режим измерения, температура, язык) и обновлениям программного обеспечения. Пользователь без пароля не может удалять настройки или данные, когда контроль доступа включен.
Диагностика	Создает диагностический файл для технической поддержки или обслуживания в случае возникновения технической проблемы. Пользователь должен подключить прибор к ПК, чтобы получить файл.

Раздел 10 Настройки датчика

Когда датчик подключен к измерительному прибору, пользователь может изменить настройки датчика для измерений, калибровок и верификации. Для доступа к настройкам подключенного датчика выполните следующие действия. Полное описание настроек см. в онлайн-руководстве пользователя измерительного прибора.

Примечание: Защита паролем может заблокировать доступ к некоторым меню. Сведения о настройках безопасности см. в онлайн-руководстве пользователя.


1. Нажмите  и выберите Настройки. Отобразится список настроек.
2. Выберите название датчика.
3. Выберите соответствующую опцию: Измерение, Калибровка или Верификация.

Раздел 11 Управление данными

Измерительный прибор сохраняет данные измерений проб, калибровок и верификации следующим образом:

- **Измерения проб** — Измерительный прибор автоматически сохраняет данные измеренных проб при работе в режиме измерения "Нажать, чтобы снять показание" или в режиме с интервалами. При работе в непрерывном режиме измерения пользователь должен выбрать Save (Сохранить) для сохранения данных измеренной пробы. Значок сохранения отображается на главном экране, когда данные измеренной пробы находятся в журнале данных.
- **Данные калибровки** — Пользователь должен выбрать Save (Сохранить), чтобы сохранить данные калибровки. Данные калибровки сохраняются в измерительном приборе и в датчике Intellical.
- **Данные верификации** — Пользователь должен выбрать Save (Сохранить) для сохранения данных верификации.

Выполните следующие действия для просмотра, экспорта или удаления данных.

1. Нажмите  и выберите Данные или выберите Данные на главном экране.
2. Выберите опцию.

Опция	Описание
Просмотр данных	<p>Отображает данные в журнале данных. Сначала отображаются самые последние данные. Нажмите стрелку вниз, чтобы просмотреть дополнительные данные. Значок калибровки отображается, когда типом данных являются данные калибровки. Значок верификации отображается, когда типом данных являются данные верификации.</p> <p>Чтобы посмотреть дополнительные сведения о точке данных, выберите строку данных и нажмите стрелку вправо. Чтобы применить фильтр и отобразить только отфильтрованные данные, нажмите стрелку влево и выберите параметр, тип данных или диапазон дат.</p>

Опция	Описание
Экспорт данных	<p>Отправляет копию всех данных из журнала данных на подключенный ПК или на USB-накопитель. Для подключения прибора к ПК см. Рисунок 4 на стр. 333. Для подключения прибора к стандартному USB-накопителю используйте адаптер "micro-USB - USB типа A". Также можно использовать USB-накопитель с разъемом micro-USB.</p> <p>Когда прибор подключается к ПК, открывается окно Проводника файлов с диском под названием "Hq-Series". Разверните диск и найдите папку с названием и серийным номером измерительного прибора. Файл данных отображается как файл .csv с датой и временем в качестве названия файла. Сохраните этот файл .csv в отдельную папку на ПК.</p> <p>Примечание: Если окно Проводника файлов не открывается автоматически, откройте окно Проводника файлов и найдите диск с названием "Hq-Series".</p>
История калибровки	Показывает текущие и предыдущие данные калибровки подключенного датчика.
Удаление данных	Удаляет все данные в журнале данных. Доступ к опции удаления данных можно защитить с помощью пароля.

Раздел 12 Обслуживание

▲ ОСТОРОЖНО



Различные опасности. Работы, описываемые в данном разделе, должны выполняться только квалифицированным персоналом.

12.1 Очистка прибора

Очистите наружную поверхность прибора влажной тканью, смоченной слабым мыльным раствором, и при необходимости вытрите прибор насухо.

12.2 Замена аккумулятора

Замените аккумулятор, если он не заряжается или не держит заряд. Используйте только аккумулятор и зарядное устройство, поставляемые производителем. См. [Установка батареи](#) на стр. 331.



12.3 Подготовка к транспортировке

Прибор оснащен литий-ионным аккумулятором, который считается опасным и при всех видах транспортировки должен соответствовать требованиям к опасным товарам. Для отправки прибора на ремонт или техническое обслуживание выполните следующие действия:

- Перед отправкой отсоедините датчики.
- Перед отправкой выполните очистку и обеззараживание прибора.
- Для обеспечения безопасности извлеките литий-ионный аккумулятор из устройства и не отправляйте его. Если аккумулятор необходимо отправить, оставьте его установленным в корпусе аккумулятора, но не присоединяйте корпус аккумулятора к прибору. Поместите корпус аккумулятора с установленным аккумулятором в отдельную упаковку, чтобы не допустить контакта с электропроводящими материалами (например металлами).
- Отправлять прибор следует в заводской упаковке или же в альтернативной защитной упаковке.

Раздел 13 Поиск и устранение неисправностей

13.1 Выполнение инструкций по поиску и устранению неисправностей на экране

В пользовательском интерфейсе содержатся инструкции по поиску и устранению неисправностей, которые могут возникнуть во время измерений, калибровок и верификации. При возникновении проблемы на дисплее отображается значок ошибки  или предупреждения  с кратким описанием проблемы. Нажмите на стрелку вправо, чтобы просмотреть рекомендуемые процедуры по устранению неисправности.

Раздел 14 Запасные части

▲ ПРЕДУПРЕЖДЕНИЕ



Риск получения травмы. Использование несогласованных деталей может стать причиной травм, повреждения прибора или нарушения в работе оборудования. Запасные детали, описанные в данном разделе, одобрены производителем.

Примечание: Номера изделия и товара могут меняться для некоторых регионов продаж. Свяжитесь с соответствующим дистрибьютором или см. контактную информацию на веб-сайте компании.

Запасные части

Описание	№ для заказа
Батарея, литий-ионная, 18650, 3200 мАч, английский язык	LEZ015.99.00001
Батарея, литий-ионная, 18650, 3100 мАч, китайский язык	LEZ015.80.00001
Кабель, USB 2.0 штекер типа А к микро-штекеру типа В, 0,91 м (3 фута)	LEZ015.99.00002
Полевой футляр для стандартных датчиков	LEZ015.99.A001A
Полевой футляр для усиленных датчиков	LEZ015.99.A002A
Наручный ремешок и пылезащитные заглушки	LEZ015.99.A005A
Откидная ножка с наручным ремешком	LEZ015.99.A003A
Защитная перчатка	LEZ015.99.A004A
Адаптер питания USB, 5 В пост. тока, 2 А, 100 – 240 В перем. тока, США	LEZ015.99.00006
Адаптер питания USB, 5 В пост. тока, 2 А, 100 – 240 В перем. тока, ЕС + Великобритания	LEZ015.99.00004
Адаптер питания USB, 5 В пост. тока, 2 А, 100 – 240 В перем. тока, Китай	LEZ015.99.00005
Адаптер питания USB, 5 В пост. тока, 2 А, 100 – 240 В перем. тока, остальные страны мира	LEZ015.99.00007

İçindekiler

- | | |
|--|-----------------------------------|
| 1 Online kullanım kılavuzu sayfa 345 | 8 Çalışma sayfa 358 |
| 2 Ürüne genel bakış sayfa 346 | 9 Ölçüm cihazı ayarları sayfa 360 |
| 3 Teknik özellikler sayfa 346 | 10 Prob ayarları sayfa 361 |
| 4 Genel bilgiler sayfa 347 | 11 Veri yönetimi sayfa 361 |
| 5 Kurulum sayfa 349 | 12 Bakım sayfa 362 |
| 6 Başlatma sayfa 354 | 13 Sorun giderme sayfa 362 |
| 7 Kullanıcı arabirimi ve gezinme sayfa 355 | 14 Yedek parçalar sayfa 362 |

Bölüm 1 Online kullanım kılavuzu

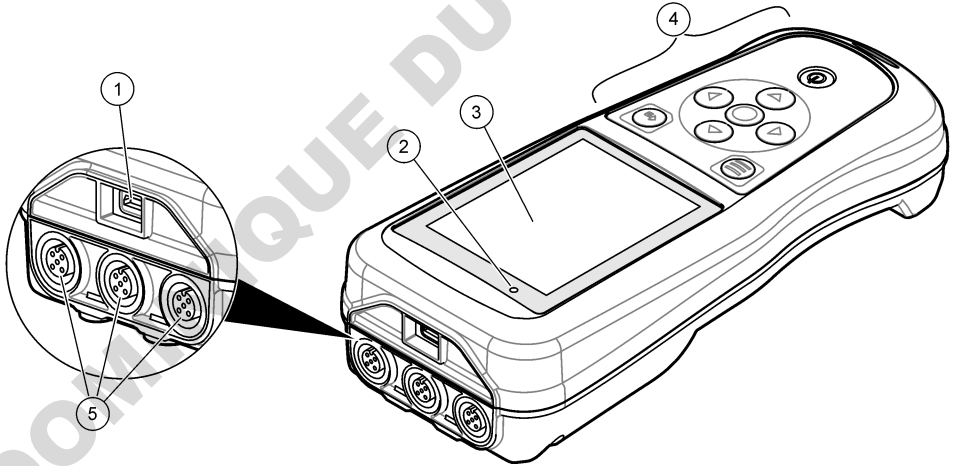
Bu Temel Kullanım Kılavuzu, üreticinin web sitesinde bulunan Kullanım Kılavuzuna göre daha az bilgi içerir.

Bölüm 2 Ürüne genel bakış

HQ Serisi portatif ölçüm cihazları, su kalitesiyle ilgili bir veya daha fazla parametreyi ölçmek için dijital Intellical problarla birlikte kullanılır. Şekil 1'e bakın. Ölçüm cihazı, cihaza bağlanan prob türünü otomatik olarak tanıır. Ölçüm cihazını, bir bilgisayar veya USB depolama cihazına bağlayarak cihaza kaydedilen verileri aktarabilirsiniz. Opsiyonel Hach Communication Dongle (HCD), ölçüm cihazı ile Claros arasında bağlantı kurar.

HQ Serisi portatif ölçüm cihazları sekiz modelde mevcuttur. Her bir modele bağlanabilen prob tipleri için Tablo 1'e bakın.

Şekil 1 Ürüne genel bakış



1 Mikro-USB konektörü	4 Tuş takımı
2 LED indikatörü	5 Intellical prob portları (üç prob portuna sahip seçenek gösterilmiştir)
3 Ekran	

Tablo 1 HQ Serisi ölçüm cihazı modelleri

Ölçüm cihazı modeli	Prob konektörleri	pH/mV/ORP ¹ problemleri	LDO/LBOD ² problemleri	İletkenlik ³ problemleri	ISE ⁴ problemleri
HQ1110	1	✓			
HQ1130	1		✓		
HQ1140	1			✓	
HQ2100	1	✓	✓	✓	
HQ2200	2	✓	✓	✓	
HQ4100	1	✓	✓	✓	✓
HQ4200	2	✓	✓	✓	✓
HQ4300	3	✓	✓	✓	✓

Bölüm 3 Teknik özellikler

Teknik özellikler önceden bildirilmeksizin değiştirilebilir.

Teknik Özellik	Ayrıntılar
Boyutlar (L x W x H)	22 x 9,7 x 6,3 cm (8,7 x 3,8 x 2,5 inç)
Ağırlık	HQ1110, HQ1130, HQ1140 ve HQ2100: 519 g (18,3 oz); HQ2200: 541 g (19,1 oz); HQ4100: 530 g (18,7 oz); HQ4200: 550 g (19,4 oz); HQ4300: 570 g (20,1 oz)
Muhafaza koruma sınıfı	Pil bölmesi takılı durumda iken IP67
Güç gereksinimleri (dahili)	Şarj edilebilir lityum iyon bazlı pil 18650 (18 mm çap x 65 mm uzunluk, silindirik şekilde), 3,7 VDC, 3200 mAh; Pil Ömrü: Tipik kullanımda > 1 hafta (10 okuma/gün, Sürekli veya Basarak okuma modunda haftada 5 gün veya kapanma zamanlayıcısı ≤ 15 dakika ve 5 dakika aralıklarla, aralıklı okuma modunda > 24 saat)
Güç gereksinimleri (harici)	Sınıf II, USB güç adaptörü: 100 - 240 VAC, 50/60 Hz giriş; 2 A USB güç adaptörü çıkışında 5 VDC
Ölçüm cihazı koruma sınıfı	IEC Sınıf III [SELV (Ayrılmış/Güvenlik Ekstra Düşük Gerilimi) ile çalışır]; USB güç adaptörü IEC Sınıf II (çift yalıtımlı) koruma sınıfındadır
Çalışma sıcaklığı	0°C - 60°C (32°F - 140°F)
Şarj sıcaklığı	10 - 40°C (50 - 104°F)
Çalışma nemi	%90 (yoğuşmasız)
Depolama sıcaklığı	-20 - 60°C (-4 - 140°F) maksimum %90 oranında bağıl nem (yoğuşmasız)
Prob konektörü	Intellical problemler için 5 pimli M12 konektör
Mikro-USB konektörü	Mikro USB konektörü sayesinde USB kablosu ve USB güç adaptörü bağlanabilir.
Veri günlüğü (dahili)	HQ1000 Serisi: 5000 veri noktası; HQ2000 Serisi: 10.000 veri noktası; HQ4000 Serisi: 100.000 veri noktası
Veri saklama	Basarak okuma ve Aralık modlarında otomatik depolama. Sürekli modunda manuel depolama.
Dışa veri aktarma	Bilgisayar veya USB depolama cihazı için USB bağlantısı (depolama cihazı kapasitesi ile sınırlıdır)

¹ pH/mV/ORP problemleri sıcaklığı da ölçer

² LDO/LBOD problemleri sıcaklığı da ölçer

³ İletkenlik problemleri tuzluluk, TDS (toplam çözünmüş katı madde), direnç ve sıcaklığı da ölçer

⁴ Amonyak, nitrat, klorür, florür, sodyum gibi iyon için seçici problemler

Teknik Özellik	Ayrıntılar
Sıcaklık düzeltme	Kapalı, otomatik ve manuel (parametreye göre değişir)
Sertifikalar	CE, CE, FCC, ISED, RCM, KC, ETL Onaylı: ABD DOE/NRCan Enerji Verimliliği, Tehlikeli Maddelerin Sınırlanması Direktifi (RoHS)
Garanti	HQ1000 ve HQ2000 serisi: 1 yıl (ABD), 2 yıl (AB); HQ4000 serisi: 3 yıl (ABD), 3 yıl (AB)

Bölüm 4 Genel bilgiler

Üretici, hiçbir koşulda ürünün yanlış kullanımından veya kılavuzdaki talimatlara uyulmamasından kaynaklanan hasarlardan sorumlu tutulamaz. Üretici, bu kılavuzda ve açıkladığı ürünlerde, önceden haber vermeden ya da herhangi bir zorunluluğa sahip olmadan değişiklik yapma hakkını saklı tutmaktadır. Güncellenmiş basımlara, üreticinin web sitesinden ulaşılabilir.

4.1 Güvenlik bilgileri

Üretici, doğrudan, arızı ve sonuç olarak ortaya çıkan zararlar dahil olacak ancak bunlarla sınırlı olmayacak şekilde bu ürünün hatalı uygulanması veya kullanılmasından kaynaklanan hiçbir zarardan sorumlu değildir ve yürürlükteki yasaların izin verdiği ölçüde bu tür zararları reddeder. Kritik uygulama risklerini tanımlamak ve olası bir cihaz arızasında prosesleri koruyabilmek için uygun mekanizmaların bulunmasını sağlamak yalnızca kullanıcının sorumluluğundadır.

Bu cihazı paketinden çıkarmadan, kurmadan veya çalıştırmadan önce lütfen bu kılavuzun tümünü okuyun. Tehlikeler ve uyarılarla ilgili tüm ifadeleri dikkate alın. Aksi halde, kullanıcının ciddi şekilde yaralanması ya da ekipmanın hasar görmesi söz konusu olabilir.


Bu cihazın korumasının bozulmadığından emin olun. Cihazı bu kılavuzda belirtilenden başka bir şekilde kullanmayın veya kurmayın.

4.2 Tehlikeyle ilgili bilgilerin kullanılması

▲ TEHLİKE
Kaçınılmadığı takdirde ölüm veya ciddi yaralanmaya yol açan potansiyel veya tehdit oluşturacak tehlikeli bir durumu belirtir.
▲ UYARI
Kaçınılmadığı takdirde ölüm veya ciddi yaralanmaya yol açabilecek potansiyel veya tehdit oluşturabilecek tehlikeli bir durumu belirtir.
▲ DİKKAT
Küçük veya orta derecede yaralanmalarla sonuçlanabilecek potansiyel bir tehlikeli durumu gösterir.
BİLGİ
Engellenmediği takdirde cihazda hasara neden olabilecek bir durumu belirtir. Özel olarak vurgulanması gereken bilgiler.

4.3 Önlem etiketleri

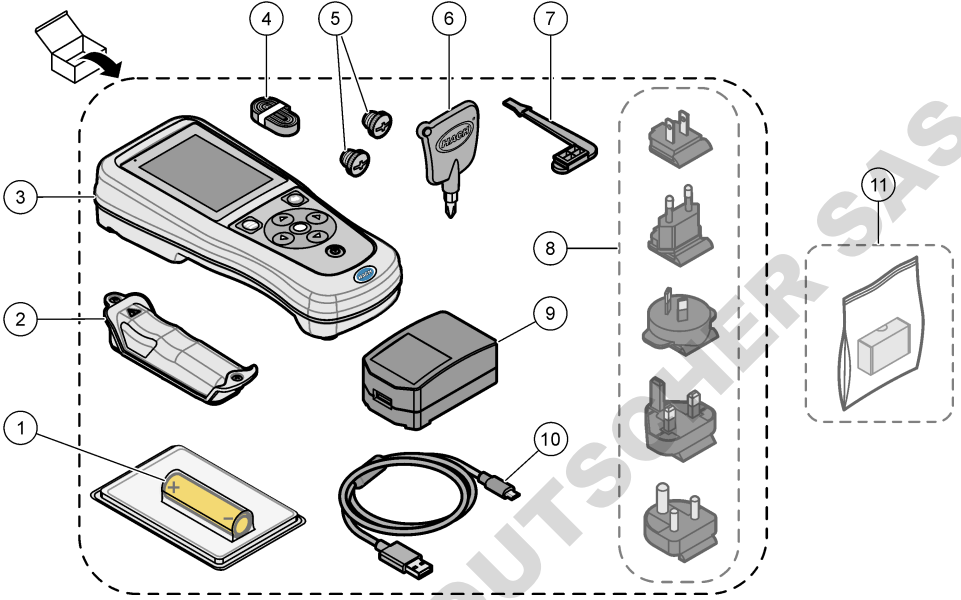
Cihazın üzerindeki tüm etiketleri okuyun. Talimatlara uyulmadığı takdirde yaralanma ya da cihazda hasar meydana gelebilir. Cihaz üzerindeki bir sembol, kılavuzda bir önlem ibaresiyle belirtilir.

	Bu sembolü taşıyan elektrikli cihazlar, Avrupa evsel ya da kamu atık toplama sistemlerine atılamaz. Eski veya kullanım ömrünü doldurmuş cihazları, kullanıcı tarafından ücret ödenmesine gerek olmadan atılması için üreticiye iade edin.
---	---

4.4 Ürün bileşenleri

Bütün bileşenlerin teslim alındığından emin olun. Şekil 2 bölümüne bakın. Eksik veya hasarlı bir öğe varsa derhal üretici ya da satış temsilcisiyle iletişime geçin.

Şekil 2 Ürün bileşenleri



1 Şarj edilebilir lityum iyon batarya	7 USB port tıpası
2 Batarya bölmesi	8 Opsiyonel elektrik fişleri
3 Ölçüm cihazı	9 USB güç adaptörü
4 El bağlama askısı	10 USB kablosu, Tip A - mikro, 1 m (3,3 ft)
5 Proba konektör uçları	11 Opsiyonel Hach Communication Dongle (HCD)
6 Tornavida (#1 Phillips)	

4.5 Sertifikasyon

Kanada Radyo Girişimine Neden Olan Cihaz Yönetmeliği, ICES-003, A Sınıfı:

Destekleyen test kayıtları, üreticide bulunmaktadır.

Bu B Sınıfı dijital cihaz, Kanada Parazite Neden Olan Cihaz Yönetmeliğinin tüm şartlarını karşılamaktadır.

Cet appareil numérique de classe B répond à toutes les exigences de la réglementation canadienne sur les équipements provoquant des interférences.

FCC PART 15, "B" Sınıfı Limitleri

Destekleyen test kayıtları, üreticide bulunmaktadır. Bu cihaz, FCC Kurallarının 15. bölümüne uygundur. Çalıştırma için aşağıdaki koşullar geçerlidir:

1. Cihaz, zararlı girişime neden olmaz.
2. Bu cihaz, istenmeyen işleyişe yol açabilecek parazit de dahil olmak üzere, alınan her türlü parazit kabul edecektir.

Bu cihaz üzerinde, uyumluluktan sorumlu tarafın açıkça onaylamadığı her türlü değişiklik, kullanıcının cihazı çalıştırma yetkisini geçersiz kılacaktır. Bu cihaz, test edilmiş ve FCC kuralları, Bölüm


15 uyarınca B Sınıfı bir dijital cihaz limitlerini karşıladığı tespit edilmiştir. Bu limitler, ekipmanın bir işyeri ortamında çalıştırılması durumunda zararlı parazitlere karşı uygun koruma sağlayacak şekilde tasarlanmıştır. Bu cihaz, telsiz frekansı enerjisi üretir, kullanır ve yayabilir ve kullanım kılavuzuna uygun olarak kurulmazsa ve kullanılmazsa telsiz iletişimlerine zararlı parazitlere neden olabilir. Bu cihazın bir konut alanında kullanılması zararlı parazitlere neden olabilir. Böyle bir durumda cihazının masrafları kendisine ait olmak üzere bu parazitleri düzeltmesi gerekecektir. Parazit sorunlarını azaltmak için aşağıdaki teknikler kullanılabilir:

1. Cihazı parazit alan cihazdan uzaklaştırın.
2. Cihazın parazite neden olduğu cihazın alıcı antenini başka bir yere taşıyın.
3. Yukarıda sıralanan önlemleri birlikte uygulamayı deneyin.

4.6 Hach Communication Dongle (opsiyonel)

Opsiyonel Hach Communication Dongle (HCD),⁵ Claros ile iletişim kurmak için Bluetooth® Low Energy kullanır. Cihazı kurmak ve kullanmak için tüm üretici talimatlarına ve uyarılarına uyun. HCD ile birlikte verilen belgelere bakın.

4.7 Kullanım amacı



▲ DİKKAT	
	Kimyasal maddelere maruz kalma tehlikesi. Laboratuvar güvenlik talimatlarına uyun ve kullanılan kimyasallara uygun tüm kişisel koruma ekipmanlarını kullanın. Güvenlik protokolleri için mevcut güvenlik veri sayfalarına (MSDS/SDS) başvurun.

HQ Serisi portatif ölçüm cihazları, laboratuvar da veya sahada su kalitesi parametrelerini ölçen kişiler tarafından kullanılmak üzere tasarlanmıştır. HQ Serisi ölçüm cihazları suyu arındırmaz veya yapısında değişikliğe sebep olmaz.

Bölüm 5 Kurulum

▲ TEHLİKE	
	Birden fazla tehlike. Belgenin bu bölümünde açıklanan görevleri yalnızca yetkili personel gerçekleştirmelidir.

5.1 Lityum pil güvenliği

▲ UYARI	
 	Yangın ve patlama tehlikesi. Lityum piller kötü kullanım koşullarına maruz kalırsa ısınabilir, patlayabilir veya alev alabilir ve ciddi yaralanmalara sebep olabilir.

- Pilde gözle görünür hasar varsa kullanmayın.
- Pil sert bir darbe veya titreşime maruz kalırsa pili kullanmayın.
- Pili ateşe veya tutuşma kaynaklarına maruz bırakmayın.
- Pili 70°C'den (158°F) daha düşük sıcaklıkta muhafaza edin.
- Pili kuru şekilde ve sudan uzakta muhafaza edin.
- Pilin pozitif ve negatif terminallerinin temas etmesini önleyin.

⁵ Bluetooth® marka ismi ve logoları, Bluetooth SIG, Inc. şirketinin sahip olduğu kayıtlı ticari markalardır ve bu markalar HACH tarafından lisanslı olarak kullanılmaktadır.

- Yetki sahibi olmayan kişilerin pile dokunmasına izin vermeyin.
- Pili yerel, bölgesel ve ulusal yönetmeliklere uygun olarak bertaraf edin.
- Cihazı doğrudan güneş ışığı altında, bir ısı kaynağının yakınında veya yüksek sıcaklık içeren ortamlarda (örneğin doğrudan güneş ışığı altındaki kapalı bir aracın içinde) kullanmayın veya saklamayın.

5.2 Pili takma

⚠ UYARI



Yangın ve patlama tehlikesi. Bu ekipmanda, elektrik akımı olmasa dahi alev alarak yangına veya patlamaya sebebiyet verebilen yüksek enerjili lityum pil yer alır. Cihaz muhafazasının sağladığı güvenliği korumak için cihaz muhafazasının kapakları, verilen donanım kullanılarak takılmalı ve sabitlenmelidir.

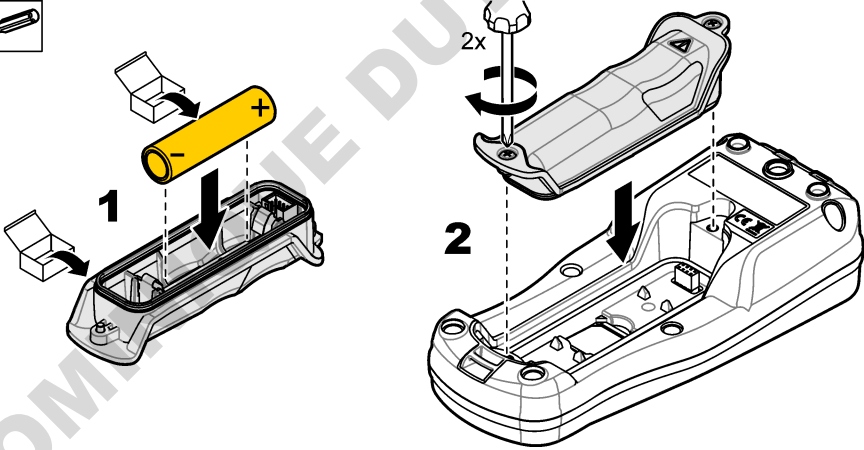
⚠ UYARI



Patlama ve yangın tehlikesi. Başka pil kullanımına izin verilmez. Sadece cihaz üreticisi tarafından verilen pilleri kullanın.

Yalnızca üretici tarafından tedarik edilen şarj edilebilir lityum iyon bazlı pil kullanın. Pili takmak veya çıkarmak için bkz. [Şekil 3](#).

Şekil 3 Pili takma ve çıkarma



5.3 Pili şarj etme

⚠ TEHLİKE



Elektrik çarpması nedeniyle ölüm tehlikesi. Bu cihaz dış mekanlarda ya da ıslak olabilecek yerlerde kullanılıyorsa cihazı ana elektrik kaynağına bağlamak için bir Topraklama Arızası Devre Şalteri (GFCI/GFI) kullanılmalıdır.

⚠ UYARI



Yangın tehlikesi. Sadece bu ekipman için belirtilmiş harici güç kaynağı kullanınız.

⚠ UYARI



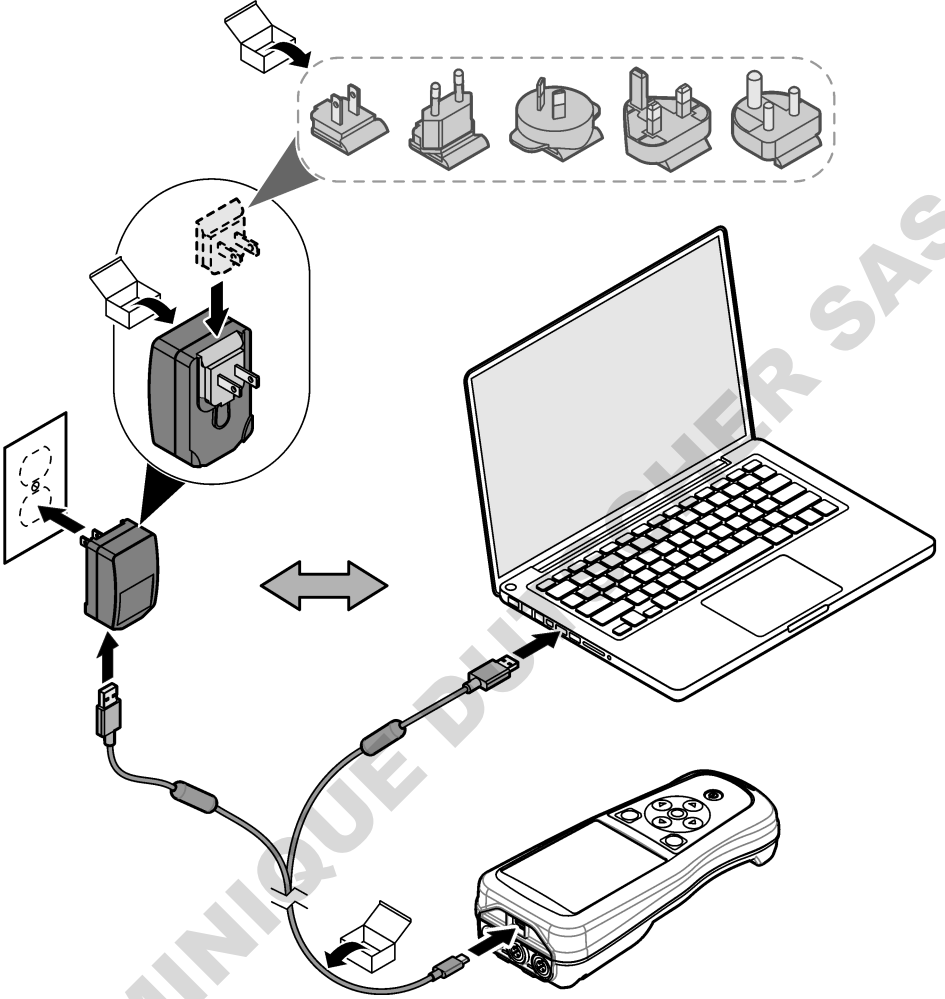
Elektrik çarpma tehlikesi. Harici olarak takılı aygıtların uygun ülke güvenliği standart değerlendirmesi bulunmalıdır.

BİLGİ

Portu temiz tutmak ve korozyonu önlemek için port kullanımında değilken her zaman USB portunun kapağını takın. USB portu ıslak veya kirliyse ya da korozyon varsa pili şarj etmeyin. Bkz. [USB'yi ve prob portunun kapaklarını takma](#) sayfa 353.

Pili şarj etmek için ürünle birlikte verilen USB kablosu ile USB güç adaptörünü veya bir bilgisayarı kullanın. Bkz. [Şekil 4](#). Cihaz elektriğe bağlandığında ve açma/kapatma tuşuna basıldığında yeşil LED göstergesi yanar. Kullanıcı, pil şarj olurken cihazı kullanabilir. USB güç adaptörü kullanılıp cihaz gücü kapatıldığında boş pil yaklaşık 5 saat sonra tamamen şarj olur. USB portu kullanımında değilken USB portunun kapağını taktığınızdan emin olun. Bkz. [USB'yi ve prob portunun kapaklarını takma](#) sayfa 353.

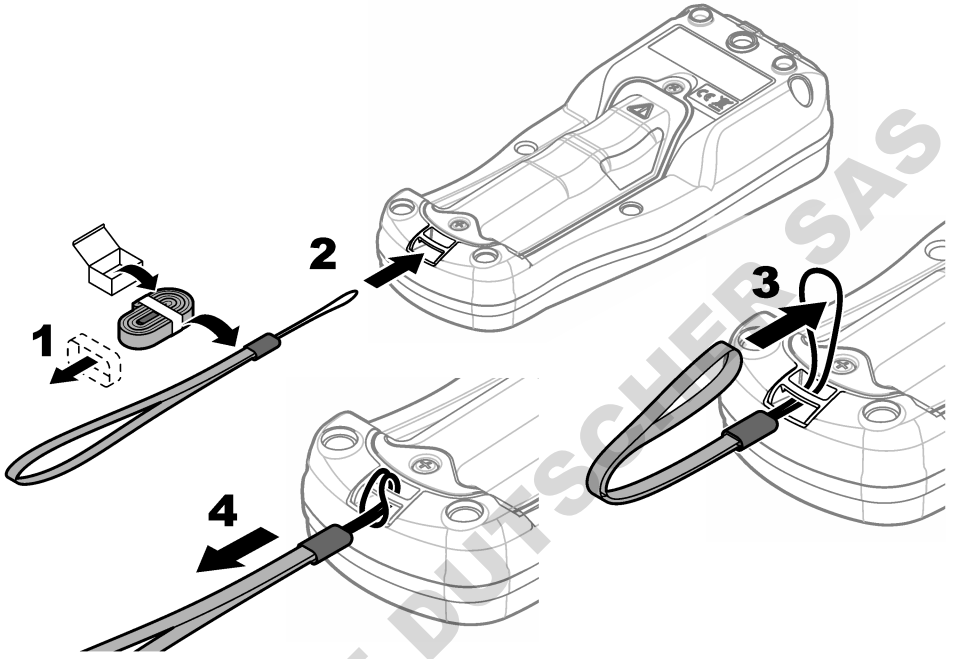
Şekil 4 USB güç adaptörüne veya bir bilgisayara bağlama



5.4 El bağlama askısını takma

Ölçüm cihazını güvenli bir şekilde tutmak için el bağlama askısını takın. Şekil 5'e bakın.

Şekil 5 El bağlama askısını takma

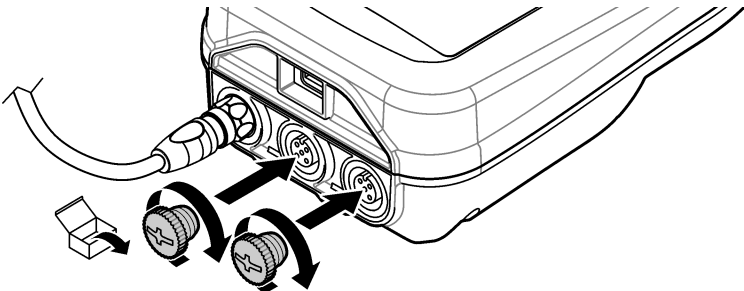


5.5 USB'yi ve prob portunun kapaklarını takma

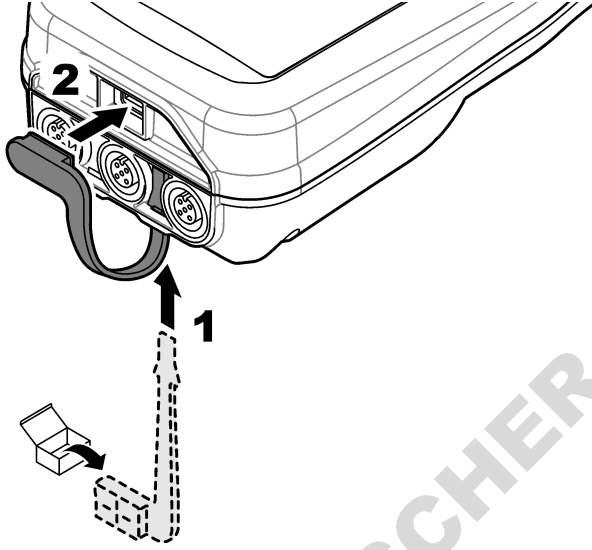
Portları temiz tutmak ve korozyonu önlemek için portlar kullanımda değilken port kapaklarını USB'ye ve prob portlarına taktığınızdan emin olun. Cihazın muhafaza derecesini korumak için port kapakları boş portlara takılmalıdır. Bkz. Şekil 6 ve Şekil 7.

Not: Şekil 6 üç prob portu bulunan bir ölçüm cihazını göstermektedir. Bazı ölçüm cihazı modellerinde yalnızca bir veya iki prob portu bulunur.

Şekil 6 Port kapağını takma




Şekil 7 USB portunun kapağını takma



Bölüm 6 Başlatma

6.1 Ölçüm cihazını açma

Cihazı başlatmak için  öğesine basın. Ölçüm cihazı açılmazsa pilin doğru takıldığından veya ölçüm cihazının bir güç kaynağına bağlı olduğundan emin olun. [Pili şarj etme](#) sayfa 351 bölümüne bakın.

6.2 Dili seçme

Ölçüm cihazı ilk kez açıldığında veya cihaza yeni bir pil takıldığında dil seçme ekranı görüntülenir. Geçerli dili seçin. Kullanıcı, dili ayrıca Ayarlar menüsünden değiştirebilir.

6.3 Tarihi ve saati ayarlama

Ölçüm cihazı ilk kez açıldığında veya cihaza yeni bir pil takıldığında Tarih-Saat ekranı görüntülenir. Tarih ve saati ayarlamak için aşağıdaki adımları tamamlayın.

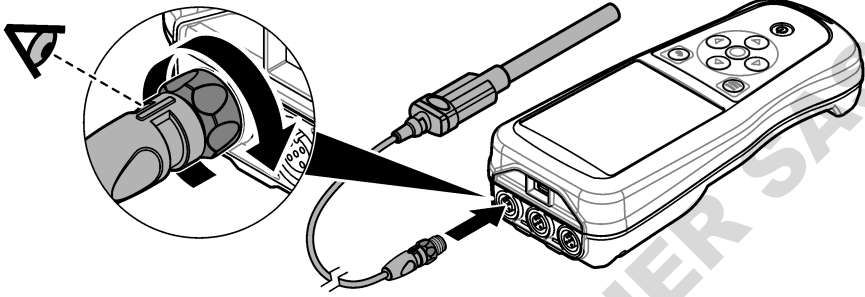
Not: Kullanıcı, tarih ve saati ayrıca Ayarlar menüsünden değiştirebilir.

1. Tarih biçimini seçmek için yukarı ve aşağı ok tuşlarına basın.
2. Tarih ve saate gitmek için sağ oka basın.
3. Tarih ve saati değiştirmek için yukarı ve aşağı ok tuşlarına basın.
4. Kaydet öğesini vurgulamak için sağ oka basın.
5. Ayarları kaydetmek için Kaydet öğesini seçin.

6.4 Prob bağlama

Prob bağlanmadan önce ölçüm cihazındaki saat ve tarihi ayarladığınızdan emin olun. Probu zaman damgası, sonda ölçüm cihazına ilk bağlandığında konur. Bu zaman damgası, probun geçmişini ve ölçümlerin yapıldığı zamanı otomatik olarak kaydeder. Ölçüm cihazına bir prob bağlamak için [Şekil 8'e](#) bakın.

Şekil 8 Ölçüm cihazına prob bağlama



Bölüm 7 Kullanıcı arabirimi ve gezinme

Cihaz açıldıktan sonra ana ekran görüntülenir. [Ana ekran](#) sayfa 355 bölümüne bakın. Kullanılabilen seçenekleri belirlemek ve değerleri değiştirmek için tuş takımını kullanın. [Tuş takımı](#) sayfa 357 bölümüne bakın. Ayarlar ve diğer menülere gitmek için ana menüyü kullanın. [Ana menü](#) sayfa 358 bölümüne bakın.

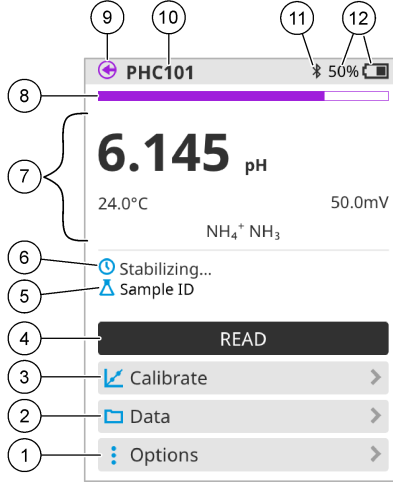
7.1 Ana ekran

Ölçüm cihazı açıkken ve ölçüm cihazına bir prob bağlıyken ekranda ana ekran görüntülenir. [Şekil 9'a](#) bakın. HQ4100, HQ4200 ve HQ4300 modellerinde renkli ekran bulunur. İki veya üç prob portu bulunan modellerde ekranda bağlı problemlerin tümü görüntülenir. [Şekil 10'a](#) bakın.

Aşağıdaki görevler ana ekrandan kullanılabilir:

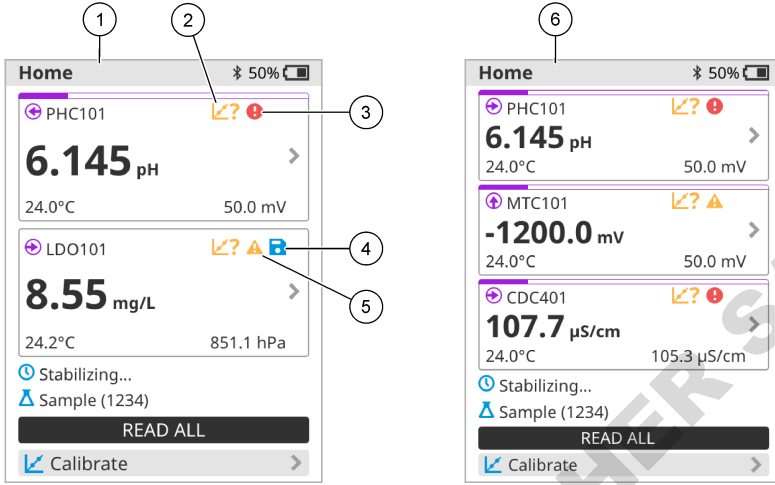
- Numuneleri ölçme
- Probu kalibre etme
- Kalibrasyonu doğrulama
- Numune kimliğini belirleme (tanımlama)
- Verileri görüntüleme ve yönetme
- Adım adım talimatları okuma

Şekil 9 Ana ekran örneği—Bir prob



1 Seenekler menüsü: Talimatlara ve diđer menülere erişim sağlar	7 Ölçüm değeri bölümü: Ölçülen değeri, sıcaklığı ve birimleri gösterir
2 Veriler menüsü: Verileri görüntülemek ve yönetmek için erişim sağlar	8 Ölçüm stabilite durumu indikatörü: Ölçümün durumunu gösterir
3 Kalibre et düğmesi: Kalibrasyonu başlatır	9 Intellical prob portu: Bağlı probun port konumunu gösterir
4 Oku düğmesi: Numune veya standart çözelti değerini ölçer	10 Intellical prob adı: Bağlı probun model adını gösterir
5 Numune Kimliği: Ölçülen numunenin adını gösterir	11 Bluetooth® simgesi (Hach Communication Dongle takılıysa): Bluetooth bağlantısının etkin olduğunu gösterir
6 Mesaj alanı: Ölçüm durumunu, numune kimliğini, hataları ve uyarıları gösterir	12 Pil şarj indikatörü: Pil şarj yüzdesini gösterir

Şekil 10 Ana ekran örneği—iki veya üç prob

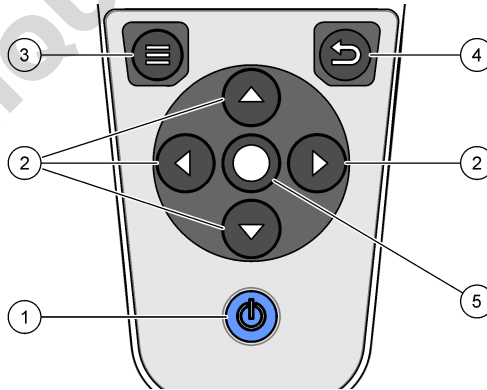


1 İki probun bağlı olduğu cihaz ana ekranı	4 Kayıt simgesi: Ölçüm verileri veri günlüğünde bulunur
2 Kalibrasyon simgesi: Kalibrasyonun kabul edilmediğini veya süresinin dolduğunu belirtir	5 Uyarı simgesi (Sorum giderme sayfa 362 bölümüne bakın)
3 Hata simgesi (Sorum giderme sayfa 362 bölümüne bakın)	6 Üç probun bağlı olduğu cihaz ana ekranı

7.2 Tuş takımı


Tuş takımının açıklaması için [Şekil 11](#)'e bakın.

Şekil 11 Tuş takımı açıklaması

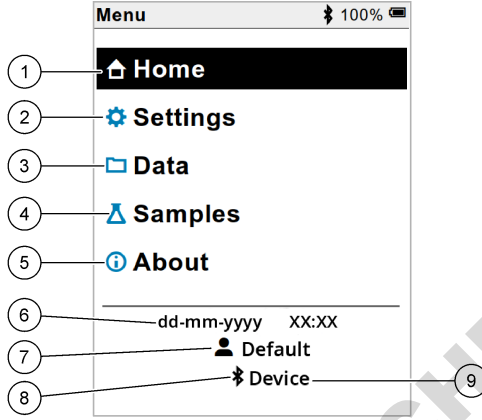


1 Açma/kapama tuşu	4 Geri tuşu
2 Gezinme okları	5 Seçme tuşu
3 Menü tuşu	

7.3 Ana menü

Ana menüye gitmek için  düğmesine basın. Şekil 12'ye bakın.

Şekil 12 Ana menü açıklaması



1 Ana Sayfa	4 Numune kimliği menüsü	7 Kullanıcı kimliği
2 Ayarlar menüsü	5 Ölçüm cihazı hakkında bilgi ekranı	8 Bluetooth® simgesi (HCD takılıysa)
3 Veriler menüsü	6 Tarih ve saat	9 Bluetooth® cihaz kimliği (HCD takılıysa)

Bölüm 8 Çalışma

Bu bölümde ölçüm cihazına yönelik genel çalışma talimatları verilmiştir. Daha ayrıntılı talimatlar için ölçüm cihazının ekran talimatlarına veya probun kullanım kılavuzundaki talimatlara bakın.

8.1 Numuneleri ölçme


Aşağıdaki adımlar, ölçüm cihazıyla numune ölçmeye yönelik genel aşamalardır.

1. Ölçüm modunu seçin. [Ölçüm cihazı ayarları](#) sayfa 360 bölümüne bakın.
2. Numuneyi ölçüm için hazırlayın. Ölçüm cihazının ekran talimatlarına veya probun kullanım kılavuzundaki talimatlara bakın.
3. Numuneyi aşağıdaki şekilde ölçün:
 - **Basarak okuma modu:** Numune değerini ölçmek için Oku veya Tümünü oku öğesini seçin. Ölçüm cihazı, değeri otomatik olarak kaydeder.
 - **Aralık modu:** Ölçümleri başlatmak için Başlat veya Tümünü başlat öğesini seçin. Ölçüm cihazı, belirtilen zaman aralıklarında numune değerini otomatik olarak ölçer ve kaydeder. Ölçümleri durdurmak için Durdur veya Tümünü durdur öğesini seçin.
 - **Sürekli modu:** Ölçüm cihazı, numune değerini sürekli olarak ölçer. Ekranda gösterilen değeri kaydetmek için Kaydet veya Tümünü kaydet öğesini seçin.

Her ölçümden sonra sonuç ekranda görüntülenir. Sonuç, veri günlüğüne kaydedilirse ekranda kayıt simgesi görüntülenir.

8.2 Probu kalibre etme


Aşağıdaki adımlar, ölçüm cihazı ile prob kalibrasyonu genel aşamalarıdır. Kalibrasyon ayarlarını değiştirmek için [Prob ayarları](#) sayfa 361 bölümüne bakın.

1. Ana ekranda  Kalibre et öğesini seçin. Birden fazla prob bağlıysa kalibre edilecek probu seçin. Kalibrasyonda kullanılacak çözeltiler ekranda görüntülenir.
2. Tampon veya standart çözeltileri kalibrasyon için hazırlayın. Ölçüm cihazındaki ekran talimatlarını veya prob kullanım kılavuzundaki talimatları uygulayın.
3. Kalibrasyonu başlatmak için Oku öğesini seçin. Ölçüm cihazı, kalibrasyon çözeltilerinin değerini ölçer. Ölçüm tamamlandığında sonuç ekranda görüntülenir.
4. Varsa diğer tampon veya standart çözeltilerin değerini ölçmek için Oku öğesini seçin. Kalibrasyonu kaydetmek için Kaydet öğesini seçin.

Not: Kalibrasyon kabul edilmezse ölçüm cihazı veya prob kullanım kılavuzundaki ekran sorun giderme talimatlarına bakın.

8.3 Kalibrasyonu doğrulama


Aşağıdaki adımlar, prob kalibrasyonunu ölçüm cihazıyla doğrulamak için uygulanacak genel aşamalarıdır. Doğrulama ayarlarını değiştirmek için [Prob ayarları](#) sayfa 361 bölümüne bakın.

1. Ana ekranda Seçenekler > Kalibrasyonu doğrulayın öğesini seçin. Ekranda, doğrulama için kullanılacak tampon veya standart çözelti görüntülenir.
2. Tampon veya standart çözeltiyi doğrulama için hazırlayın. Ölçüm cihazındaki ekran talimatlarını veya prob kullanım kılavuzundaki talimatları uygulayın.
3. Doğrulamayı başlatmak için Oku öğesini seçin. Ölçüm cihazı, doğrulanacak çözeltilerin değerini ölçer. Ölçüm tamamlandığında sonuç ekranda görüntülenir.
4. Doğrulama başarılı  olursa sonucu kaydetmek için Kaydet öğesini seçin.

Not: Doğrulama kabul edilmezse ölçüm cihazı veya probun kullanım kılavuzundaki ekran üzeri sorun giderme talimatlarına bakın.

8.4 Ölçüm verileriyle birlikte numune kimliği ekleme


Cihaz, kaydedilen ölçüm verileriyle birlikte bir numune adı (kimlik) kaydedebilir. Cihaza birden fazla numune adı girip uygun numune adını numuneler ölçülmeden önce seçin. Cihaz, aynı ada sahip numunelere numara ekler. Bu numuneler "Numune adı (2)" şeklinde görüntülenir.

1.  düğmesine basın ve Örnekler öğesini seçin.
2. Bir seçenek belirleyin.

Seçenek	Açıklama
Örnek	Numune ölçümleriyle birlikte kaydedilecek olan numune adını seçer.
Yeni numune oluşturun	Yeni numune adları eklemek için bir ekran açar. Numune adları harf ve sayılardan oluşabilir.
Numuneleri silin	Numunelerin adını kaldırır.

8.5 Kayıtlı verilerle birlikte kullanıcı kimliği ekleme

Cihaz, kayıtlı verilerle birlikte bir kullanıcı adı (kimlik) kaydedebilir. Cihaza birden fazla kullanıcı adı girin ve ardından uygun kullanıcı adını kalibrasyonlar veya ölçümler başlatılmadan önce seçin.


1.  düğmesine basın ve Ayarlar ögesini seçin. Ayarlar listesi görüntülenir.
2. Kullanıcılar (Kullanıcılar) ögesini seçin.
3. Bir seçenek belirleyin.

Seçenek	Açıklama
Kullanıcı	Kullanıcı adını seçer. Seçilen kullanıcı adı ana menü ekranında görüntülenir ve kayıtlı verilerle birlikte kaydedilir.
Yeni kullanıcı oluşturun	Yeni kullanıcı adları eklemek için bir ekran açar. Kullanıcı adları harfler ve sayılardan oluşabilir.
Kullanıcıları sil	Kullanıcı adlarını kaldırır.

Bölüm 9 Ölçüm cihazı ayarları

Ölçüm cihazının genel ayarlarını değiştirmek için aşağıdaki adımları tamamlayın.

Not: Parola koruması bazı menülere erişimi engelleyebilir. Erişim kontrolü hakkında bilgi için çevrimiçi kullanım kılavuzuna bakın.

1.  düğmesine basın ve Ayarlar ögesini seçin. Ayarlar listesi görüntülenir.
2. Bir seçenek belirleyin.


Seçenek	Açıklama
[Prob adı]	Ölçümler, kalibrasyon ve doğrulama için proba özgü ayarları değiştirir. Bağlı probun ayarlarını değiştirmek için Prob ayarları sayfa 361 bölümüne bakın.
Ölçüm modu	Ölçümlerin ne zaman başlatılacağını ayarlar. Seçenekler: Okuma yapmak için basın, Sürekli veya Aralık okuma için basın. Okuma yapmak için basın: Numune yalnızca Oku üzerine basıldığında ölçülür. Kararlılık ölçümleri karşılandığında veriler otomatik olarak veri günlüğüne kaydedilir. Aralık: Numune, belirli bir süre boyunca düzenli aralıklarla ölçülür. Veriler otomatik olarak veri günlüğüne kaydedilir. Sürekli: Cihaz numune değerini sürekli olarak ölçer. Veriler yalnızca kullanıcı Kaydet 'i seçtiğinde veri günlüğüne kaydedilir.
Sıcaklık	Sıcaklık birimlerini ° C veya ° F'ye ayarlar.
Ekran	Ekran ayarlarını değiştirir. Seçenekler: Parlaklık, Arka ışık ve Kapatma. Parlaklık: Arka ışığın yoğunluğunu değiştirir. Seçenekler: %10 ila 100 (varsayılan: %50). Arka ışık: Cihaz belirli bir süre kullanılmadığında arka ışığı kapalı olarak ayarlar. Seçenekler: 15 saniye, 30 saniye, 1 dakika, 5 dakika veya Hiçbir zaman. Kapatma: Belirli bir süre kullanılmadığında sayacı kapalı olarak ayarlar. Seçenekler: 1 dakika, 2 dakika, 5 dakika, 10 dakika, 30 dakika, 1 saat, 2 saat veya Hiçbir zaman.
Ses	Ölçüm cihazını tuşlara basıldığında veya bildirimler sırasında ses çıkaracak şekilde ayarlar. Seçenekler: Tuşa basıldı, Kararlılık Uyarısı, Hatırlatma, Hata/Uyarı Mesajı veya (pil) Şarj Tamamlandı .
Kullanıcılar	Bir kullanıcı seçer, yeni bir kullanıcı ekler veya bir kullanıcıyı siler.
Tarih-Saat	Ölçüm aletindeki tarih / saat biçimini, tarih ve saati ayarlar.
Dil	Cihazın dilini ayarlar.

Seçenek	Açıklama
Erişim	Prob ayarlarına, bazı ölçüm cihazı ayarlarına (ölçüm modu, sıcaklık, dil) ve yazılım güncellemelerine erişimi önlemek için bir şifre belirler. Parolası olmayan bir kullanıcı, erişim kontrolü açıkken ayarları veya verileri silemez.
Tanımlama	Teknik bir sorun oluşursa teknik destek veya servis için bir tanımlama dosyası oluşturur. Kullanıcının dosyayı alabilmesi için ölçüm cihazını bir PC'ye bağlaması gerekir.

Bölüm 10 Prob ayarları

Ölçüm cihazına bir prob bağlandığında kullanıcı; ölçümler, kalibrasyonlar ve doğrulamalar için prob ayarlarını değiştirebilir. Bağlı probun ayarlarına erişmek için aşağıdaki adımlara bakın. Ayarlar hakkındaki tüm bilgilere ulaşmak için ölçüm cihazı online kullanım kılavuzuna bakın.

Not: Parola koruması bazı menülere erişimi engelleyebilir. Güvenlik ayarlarıyla ilgili bilgi için online kullanım kılavuzuna bakın.


1.  düğmesine basın ve Ayarlar öğesini seçin. Ayarlar listesi görüntülenir.
2. Sensör adını seçin.
3. Uygun seçeneği belirleyin: Ölçüm, Kalibrasyon veya Doğrulama.

Bölüm 11 Veri yönetimi

Ölçüm cihazı; numune ölçümleri, kalibrasyonlar ve doğrulamalardan gelen verileri aşağıdaki şekilde kaydeder:

- Numune ölçümleri: Ölçüm modu Basarak Okuma veya Aralık seçeneğine ayarlandığında ölçüm cihazı, ölçülen numune verilerini otomatik olarak kaydeder. Ölçüm modu Sürekli seçeneğine ayarlandığında kullanıcı, ölçülen numune verilerini kaydetmek için Kaydet öğesini seçmelidir. Ölçülen numune verileri veri günlüğüne alındığında Kaydet simgesi Ana ekranda görüntülenir.
- Kalibrasyon verileri: Kullanıcı, kalibrasyon verilerini kaydetmek için Kaydet öğesini seçmelidir. Kalibrasyon verileri, ölçüm cihazına ve Intellical probuna kaydedilir.
- Doğrulama verileri: Kullanıcı, doğrulama verilerini kaydetmek için Kaydet öğesini seçmelidir.

Verileri görüntülemek, dışa aktarmak veya silmek için aşağıdaki adımları tamamlayın.

1.  düğmesine basıp Veriler öğesini seçin veya Ana ekranda Veriler öğesini seçin.
2. Bir seçenek belirleyin.

Seçenek	Açıklama
Verileri görüntüle	Veri günlüğündeki verileri gösterir. En yeni veriler ilk olarak gösterilir. Daha fazla veri görmek için aşağı oka basın. Veri türü olarak kalibrasyon verileri seçildiğinde kalibrasyon simgesi görüntülenir. Veri türü olarak doğrulama verileri seçildiğinde doğrulama simgesi görüntülenir. Veri noktasıyla ilgili daha fazla ayrıntı görmek için bir veri satırı seçin ve sağ oka basın. Filtre uygulayarak yalnızca filtrelenmiş verileri görmek için sol oka basıp bir parametre, veri türü veya tarih aralığı seçin.
Verileri dışa aktar	Veri günlüğündeki tüm verilerin kopyasını bağlı bir bilgisayara veya USB depolama cihazına gönderir. Cihazı bilgisayara bağlamak için Şekil 4 sayfa 352 bölümüne bakın. Cihazı standart bir USB depolama cihazına bağlamak için mikro USB - USB Tip A adaptör kullanın. Alternatif olarak, mikro USB konektörü bulunan bir USB depolama cihazı kullanın. Cihaz, bilgisayara bağlandığında "HQ-Series" isimli bir sürücü için Dosya Gezgini penceresi açılır. Sürücüyü genişletin ve ölçüm cihazı adı ile seri numarası bulunan bir alt klasör arayın. Veri dosyası, dosya adı olarak tarih ve saati içeren bir .csv dosyası şeklinde görüntülenir. .csv dosyasını bilgisayarda bir konuma kaydedin. Not: Dosya Gezgini penceresi otomatik olarak açılmazsa Dosya Gezgini penceresini açın ve "HQ-Series" isimli bir sürücüyü arayın.

Seenek	Aıklama
Kalibrasyon gemiři	Bađlı bir probun geerli ve nceki kalibrasyon verilerini gsterir.
Verileri sil	Veri gnlğndeki tm verileri siler. Parola koruması, veri silme seeneđine eriřiimi engelleyebilir.

Blm 12 Bakım

▲ DİKKAT



Birden fazla tehlike. Belgenin bu blmnde aıklanan grevleri yalnızca yetkili personel gerekleřtirmelidir.

12.1 Cihazın temizlenmesi

Cihazın dıř kısmını nemli bir bezle ve hafif sabunlu bir solsyonla temizleyin, daha sonra cihazı silerek gereken řekilde kurulaşın.

12.2 Pili deđiřtirme

Pil řarj olmadıđında veya řarjını koruyamadıđında pili deđiřtirin. Yalnızca retici tarafından tedarik edilen pili ve pil řarj cihazını kullanın. [Pili takma](#) sayfa 350 blmne bakın.

12.3 Nakliye hazırlıđı

Cihaz, tehlikeli madde dzenlemelerine tabi olan ve her trl nakliye sırasında tehlikeli madde ynetmelikleriyle uyumlu olması gereken bir lityum iyon pil ierir. Cihazı onarım veya bakım iin gnderilmesi gerektiđinde ařađıdaki prosedrleri uygulayın:

- Nakliyeden nce problemleri bađlantısını kesin.
- Gndermeden nce cihazı temizleyin ve zararlı maddelerden arındırın.
- En st dzeyde gvenlik iin lityum iyon pili cihazdan karın ve pili gndermeyin. Pilin gnderilmesi gerekiyorsa pili muhafazasına takılı řekilde tutun ancak pil muhafazasını cihaza takmayın. Elektrik iletken malzemelerle (r. metaller) teması nlemek iin pil muhafazasını takılı pille birlikte ayrı bir ambalaja koyun.
- Cihazı orijinal ambalajında veya alternatif bir gvenli ambalajda gnderin.

Blm 13 Sorun giderme

13.1 Ekran sorun giderme talimatlarını kullanma

Kullanıcı arabiriminde lmler, kalibrasyonlar ve dođrulamalar sırasında ortaya ıkabilecek sorunların giderilmesini sađlayan sorun giderme talimatları bulunur. Bir sorun oluřtuđunda, sorunun kısa bir aıklamasıyla birlikte ekranda hata **!** veya uyarı **▲** simgesi grntlenir. Sorunu dzeltmek iin nerilen prosedrleri grntlemek amacıyla sađ oka basın.

Blm 14 Yedek paralar

▲ UYARI



Fiziksel yaralanma tehlikesi. Onaylanmayan paraların kullanımı kiřiisel yaralanmalara, cihazın zarar grmesine ya da donanım arızalarına neden olabilir. Bu blmdeki yedek paralar retici tarafından onaylanmıřtır.

Not: Bazı satıř blgelerinde rn ve Madde numaraları deđiřeşebilir. İrtibat bilgileri iin ilgili distribtrle iletiřime gein veya řirketin web sitesine bařvurun.

Yedek parçalar

Açıklama	Öge no.
Pil, lityum iyon, 18650, 3200 mAh, Dili İngilizce	LEZ015.99.00001
Pil, lityum iyon, 18650, 3100 mAh, Dili Çince	LEZ015.80.00001
Kablo, USB 2.0 fiş tip A - mikro fiş tip B, 0,91 m (3 ft)	LEZ015.99.00002
Standart problemler için saha kılıfı	LEZ015.99.A001A
Sağlam problemler için saha kılıfı	LEZ015.99.A002A
El bağlama askısı ve toz tapaları	LEZ015.99.A005A
El bağlama askılı dayanak	LEZ015.99.A003A
Koruyucu eldiven	LEZ015.99.A004A
USB güç adaptörü, 5 VDC, 2 A, 100 - 240 VAC, ABD	LEZ015.99.00006
USB güç adaptörü, 5 VDC, 2 A, 100 - 240 VAC, AB + Birleşik Krallık	LEZ015.99.00004
USB güç adaptörü, 5 VDC, 2 A, 100 - 240 VAC, Çin	LEZ015.99.00005
USB güç adaptörü, 5 VDC, 2 A, 100 - 240 VAC, Diğer Ülkeler	LEZ015.99.00007

Obsah

- | | |
|---|--------------------------------------|
| 1 Používateľská príručka online na strane 364 | 8 Prevádzka na strane 377 |
| 2 Prehľad produktu na strane 364 | 9 Nastavenia prístroja na strane 379 |
| 3 Technické údaje na strane 365 | 10 Nastavenia sondy na strane 380 |
| 4 Všeobecné informácie na strane 366 | 11 Správa údajov na strane 380 |
| 5 Montáž na strane 368 | 12 Údržba na strane 381 |
| 6 Spustenie do prevádzky na strane 373 | 13 Riešenie problémov na strane 381 |
| 7 Používateľské rozhranie a navigácia na strane 374 | 14 Náhradné diely na strane 382 |

Odsek 1 Používateľská príručka online

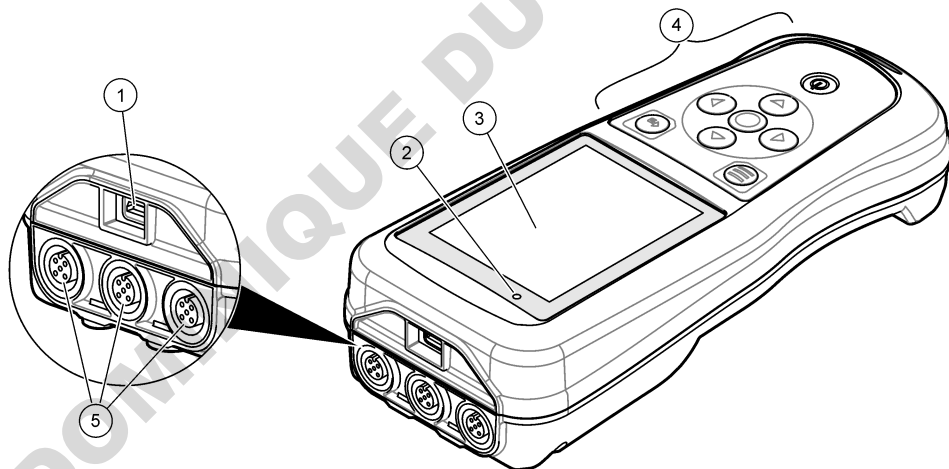
Základná používateľská príručka obsahuje menej údajov než používateľská príručka, ktorá je dostupná na webovej stránke výrobcu.

Odsek 2 Prehľad produktu

Prenosné meracie prístroje radu HQ sa používajú s digitálnymi sondami Intellical na meranie jedného alebo viacerých parametrov kvality vody. Pozri časť **Obrázok 1**. Merací prístroj automaticky rozpozná typ sondy, ktorá je pripojená. Merací prístroj je možné pripojiť k počítaču alebo pamäťovému zariadeniu USB na prenos údajov, ktoré sú v meracom prístroji uložené. Voliteľný hardvérový komunikačný kľúč Hach (HCD) slúži na pripojenie meracieho prístroja k zariadeniu Claros.

Prenosné meracie zariadenia radu HQ sú k dispozícii v ôsmich modeloch. **Tabuľka 1** uvádza typy sond, ktoré je možné pripojiť ku každému modelu.

Obrázok 1 Prehľad produktu



1 Konektor mikro-USB	4 Klávesnica
2 LED dióda	5 Porty sondy Intellical (vyobrazený je model s tromi portami na sondy)
3 Displej	

Tabuľka 1 Modely meracieho zariadenia radu HQ

Model meracieho zariadenia	Konektory sondy	pH/mV/ORP ¹ sondy	LDO/LBOD ² konduktivity	Sondy ³ sondy	ISE ⁴ sondy
HQ1110	1	✓			
HQ1130	1		✓		
HQ1140	1			✓	
HQ2100	1	✓	✓	✓	
HQ2200	2	✓	✓	✓	
HQ4100	1	✓	✓	✓	✓
HQ4200	2	✓	✓	✓	✓
HQ4300	3	✓	✓	✓	✓

Odsek 3 Technické údaje

Technické údaje podliehajú zmenám bez upozornenia.

Technický údaj	Podrobnosti
Rozmery (d × š × h)	22 x 9,7 x 6,3 cm (8,7 x 3,8 x 2,5 palca)
Hmotnosť	HQ1110, HQ1130, HQ1140 a HQ2100: 519 g (18,3 unce); HQ2200: 541 g (19,1 unce); HQ4100: 530 g (18,7 unce); HQ4200: 550 g (19,4 unce); HQ4300: 570 g (20,1 unce)
Stupeň krytia krytu	IP67 s nainštalovanou priehradkou na batériu
Požiadavky na napájanie (interné)	Nabíjateľná lítium-iónová batéria, 18650 (priemer 18 mm × dĺžka 65 mm, cylindrická), 3,7 V DC, 3200 mAh; životnosť batérie: > 1 týždeň pri obvyklom používaní (10 načítaní/deň, 5 dní v týždni v kontinuálnom režime alebo režime Stlačiť na načítanie, alebo > 24 hod. v intervalovom režime s 5-minútovými intervalmi a časovačom vypnutia ≤ 15 min.)
Požiadavky na napájanie (externé)	Trieda II, napájací adaptér USB: 100 – 240 V AC, vstup 50/60 Hz; 5 V DC pri výstupe napájacieho USB adaptéra 2 A
Trieda ochrany meracieho prístroja	Trieda IEC III (napájanie SELV (oddelené/bezpečnostné extra nízke napätie)); napájací adaptér USB je triedy IEC II (dvojitá izolácia)
Prevádzková teplota	0 až 60 °C (32 až 140 °F)
Teplota nabíjania	10 až 40 °C (50 až 104 °F)
Prevádzková vlhkosť	90 % (bez kondenzácie)
Teplota skladovania	–20 až 60 °C (–4 až 140 °F), relatívna vlhkosť max. 90 % (bez kondenzácie)
Konektor sondy	5-kolíkový konektor M12 pre sondy Intellical
Konektor mikro-USB	Konektor mikro USB umožňuje pripojenie kábla USB a napájacieho adaptéra USB.
Protokol údajov (interný)	Rad HQ1000: 5000 údajových bodov; rad HQ2000: 10 000 údajových bodov; rad HQ4000: 100 000 údajových bodov

¹ Sondy pH/mV/ORP merajú i teplotu

² Sondy LDO/LBOD merajú i teplotu

³ Sondy konduktivity merajú i salinitu (slanosť), TDS (celkový podiel rozpustených tuhých látok), odpor

⁴ Iónovo selektívne sondy, ako napríklad amónne, nitrátové, chloridové, fluoridové, sodné

Technický údaj	Podrobnosti
Ukladanie údajov	Automatické ukladanie v režimoch Stlačením načítať a Interval. Manuálne ukladanie v kontinuálnom režime.
Export údajov	USB zapojenie k PC alebo úložnému USB zariadeniu (obmedzené kapacitou pamäte úložného zariadenia)
Korekcia teploty	Vypnutá, automatická a manuálna (špecifická pre parametre)
Certifikáty	CE, UKCA, FCC, ISED, RCM, KC, ETL Overené: US DOE / NRCan Energy Efficiency, RoHS
Záruka	HQ1000 a HQ2000: 1 rok (Spojené štáty), 2 roky (EÚ); HQ4000: 3 roky (Spojené štáty), 3 roky (EÚ)

Odsek 4 Všeobecné informácie

Za žiadnych okolností výrobca nebude niesť zodpovednosť za škody spôsobené nesprávnym používaním produktu alebo nedodržaním pokynov v príručke. Výrobca si vyhradzuje právo na vykonávanie zmien v tomto návode alebo na predmetnom zariadení kedykoľvek, bez oznámenia alebo záväzku. Revidované vydania sú k dispozícii na webových stránkach výrobcu.

4.1 Bezpečnostné informácie

Výrobca nie je zodpovedný za škody spôsobené nesprávnym alebo chybným používaním tohto zariadenia vrátane, okrem iného, priamych, náhodných a následných škôd, a odmieta zodpovednosť za takéto škody v plnom rozsahu povolenom príslušným zákonom. Používateľ je výhradne zodpovedný za určenie kritického rizika pri používaní a zavedenie náležitých opatrení na ochranu procesov počas prípadnej poruchy prístroja.

Pred vybalením, nastavením alebo prevádzkou tohto zariadenia si prečítajte celý návod. Venujte pozornosť všetkým výstrahám a upozorneniam na nebezpečenstvo. Zanedbanie môže mať za následok vznik vážnych zranení obsluhy alebo poškodenie zariadenia.

Ak si chcete byť istí, že ochrana tohto zariadenia nebude porušená, toto zariadenie nepoužívajte ani nemontujte iným spôsobom, ako je uvedený v tomto návode.

4.2 Informácie o možnom nebezpečenstve

▲ NEBEZPEČIE

Označuje potenciálne alebo bezprostredne nebezpečnú situáciu, ktorá, ak sa jej nezabráni, spôsobí smrť alebo vážne zranenie.

▲ VAROVANIE

Označuje potenciálne alebo bezprostredne nebezpečnú situáciu, ktorá, ak sa jej nezabráni, by mohla spôsobiť smrť alebo vážne zranenie.

▲ UPOZORNENIE

Označuje potenciálne ohrozenie s možným ľahkým alebo stredne ťažkým poranením.

POZNAMKA

Označuje situáciu, ktorá, ak sa jej nezabráni, môže spôsobiť poškodenie prístroja. Informácie, ktoré vyžadujú zvýšenú pozornosť.

4.3 Výstražné štítky

Preštudujte si všetky štítky a značky, ktoré sa na prístroji nachádzajú. Pri nedodržaní pokynov na nich hrozí poranenie osôb alebo poškodenie prístroja. Symbol na prístroji je vysvetlený v príručke s bezpečnostnými pokynmi.

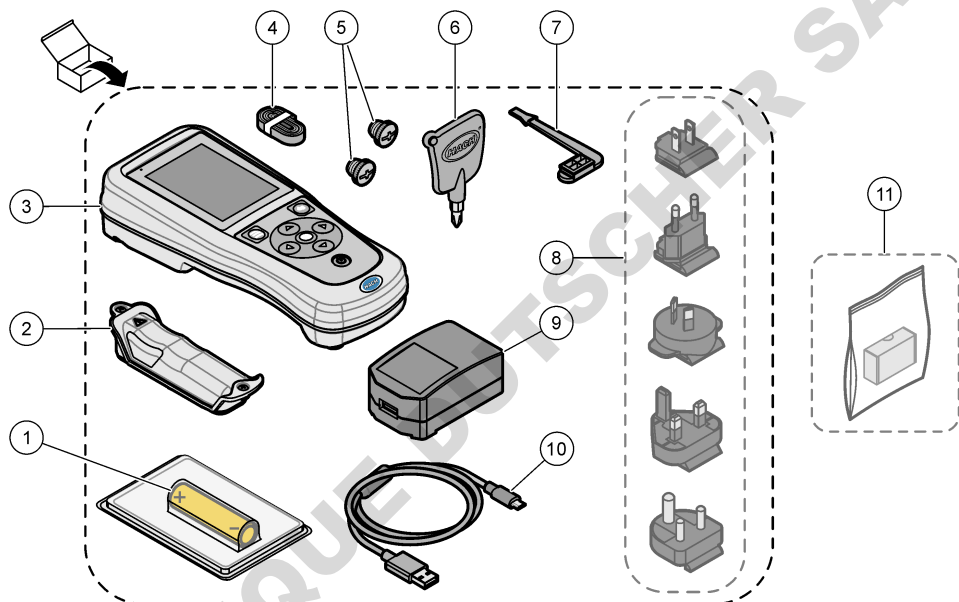


Elektrické zariadenie označené týmto symbolom sa v rámci Európy nesmie likvidovať v systémoch likvidácie domového alebo verejného odpadu. Staré zariadenie alebo zariadenie na konci životnosti vráťte výrobcovi na bezplatnú likvidáciu.

4.4 Súčasti produktu

Uistite sa, že vám boli doručené všetky súčasti. Pozrite časť **Obrázok 2**. Ak nejaká položka chýba alebo je poškodená, okamžite kontaktujte výrobcu alebo obchodného zástupcu.

Obrázok 2 Súčasti produktu



1 Nabíjateľná lítium-iónová batéria	7 Uzáver portu USB
2 Priestor pre batérie	8 Voliteľné uzávery napájacieho portu
3 Merací prístroj	9 Napájací adaptér USB
4 Lanko na ruku	10 Kábel USB, typ A → mikro, 1 m (3,3 stopy)
5 Uzávery konektora sondy	11 Voliteľný hardvérový komunikačný kľúč Hach (HCD)
6 Skrutkovač (krížový, č. 1)	

4.5 Certifikáty

Kanadská smernica o zariadeniach spôsobujúcich elektromagnetické rušenie, IECs-003, Trieda B

Príslušné protokoly zo skúšok sú uchovávané u výrobcu zariadenia.

Tento digitálny prístroj Triedy B vyhovuje všetkým požiadavkám Kanadskej smernice o zariadeniach emitujúcich elektromagnetické žiarenie.

Cet appareil numérique de classe B répond à toutes les exigences de la réglementation canadienne sur les équipements provoquant des interférences.

Obmedzenia podľa smernice FCC, Časť 15, Trieda „B“

Príslušné protokoly zo skúšok sú uchovávané u výrobcu zariadenia. Toto zariadenie vyhovuje požiadavkám Časti 15 smernice FCC. Používanie zariadenia podlieha nasledujúcim podmienkam:

1. Zariadenie nesmie spôsobovať elektromagnetické rušenie.
2. Toto zariadenie musí byť schopné prijať akékoľvek rušenie, vrátane takého, ktoré môže spôsobiť nežiadajú prevádzku.

V dôsledku zmien alebo úprav na tomto zariadení vykonaných bez výslovného schválenia organizáciou zodpovednou za posúdenie zhody môže používateľ stratiť oprávnenie prevádzkovať toto zariadenie. Skúškou bolo potvrdené, že toto zariadenie vyhovuje obmedzeniam pre digitálne zariadenia Triedy B, podľa Časti 15 smernice FCC. Tieto obmedzenia sú určené na zabezpečenie primeranej miery ochrany proti elektromagnetickému rušeniu pri prevádzke zariadenia v priemyselnom prostredí. Toto zariadenie vytvára, využíva a môže vyžarovať energiu v pásme rádiových frekvencií a v prípade, ak nie je nainštalované a používané v súlade s návodom na obsluhu, môže spôsobovať rušenie rádiovkej komunikácie. Pri používaní tohto zariadenia v obytnej zóne je vysoká pravdepodobnosť, že dôjde k takémuto rušeniu. V takom prípade je používateľ zariadenia povinný obmedziť elektromagnetické rušenie na vlastné náklady. Pri odstraňovaní problémov s elektromagnetickým rušením možno použiť nasledujúce postupy:

1. Presuňte zariadenie ďalej od zariadenia zasiahnutého rušením.
2. Zmeňte polohu prijímacej antény na zariadení zasiahnutom rušením.
3. Skúste kombináciu vyššie uvedených postupov.

4.6 Komunikačný hardvérový kľúč Hach (voliteľný)

Voliteľný komunikačný kľúč Hach (HCD) využíva rozhranie Bluetooth® Low Energy na komunikáciu so zariadením Claros. Počas inštalácie a používania zariadenia dodržiavajte všetky pokyny a výstahy výrobcu. Prečítajte si dokumentáciu dodávanú so zariadením HCD.

4.7 Účel použitia

▲ UPOZORNENIE



Nebezpečenstvo expozície chemikáliám. Dodržiavajte laboratórne bezpečnostné postupy a používajte všetky osobné ochranné pomôcky zodpovedajúce chemikáliám, s ktorými pracujete. Bezpečnostné protokoly nájdete v aktuálnych kartách bezpečnostných údajov (KBÚ).

Prenosné meracie prístroje radu HQ sú určené na použitie osobami, ktoré merajú parametre kvality vody v laboratóriách alebo mimo nich. Meracie prístroje radu HQ neslúžia na úpravu vody ani nemenia jej vlastnosti.

Odsek 5 Montáž


▲ NEBEZPEČIE



Viacnásobné nebezpečenstvo. Úkony popísané v tejto časti návodu smú vykonávať iba kvalifikovaní pracovníci.


⁵ Označenie a logá Bluetooth® sú registrované ochranné známky patriace spoločnosti Bluetooth SIG, Inc. a použitie ktoréhokoľvek z týchto označení spoločnosťou HACH podlieha licencií.


5.1 Bezpečnosť lítiovej batérie

▲ VAROVANIE	
	Riziko požiaru a výbuchu. Lítiové batérie sa môžu zahriať, explodovať alebo vznietiť a spôsobiť vážne poranenia, ak sú vystavené nevhodným podmienkam.

- Batériu nepoužívajte, ak je viditeľne poškodená.
- Batériu nepoužívajte, ak bola vystavená silnému nárazu alebo vibráciám.
- Batériu nevystavujte pôsobeniu plameňa ani zápalných látok.
- Batériu uchovávajte pri teplote nižšej ako 70 °C (158 °F).
- Batériu uchovávajte v suchu a chráňte pred vodou.
- Zabráňte kontaktu medzi kladnými a zápornými svorkami batérie.
- Nedovoľte, aby sa nepovolané osoby dotýkali batérie.
- Batériu zlikvidujte v súlade s miestnymi, regionálnymi a štátnymi právnymi predpismi.
- Prístroj nepoužívajte ani neskladujte na priamom slnečnom svetle, v blízkosti tepelného zdroja ani v prostredí s vysokou teplotou, ako napr. zatvorené vozidlo na priamom slnečnom svetle.

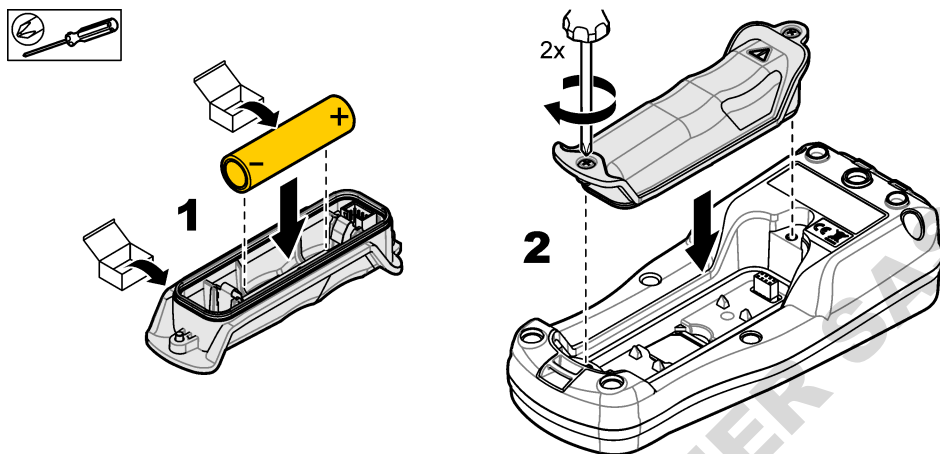
5.2 Inštalácia batérie

▲ VAROVANIE	
	Riziko požiaru a výbuchu. Vybavenie obsahuje lítiovú batériu s vysokou energiou, ktorá sa môže vznietiť a spôsobiť požiar alebo explóziu dokonca aj vo vypnutom stave. Aby bolo zabezpečenie tvorené puzdrom nástroja účinné, musia byť kryty zariadenia namontované a zabezpečené pomocou dodaných montážnych prvkov.

▲ VAROVANIE	
	Nebezpečenstvo výbuchu a požiaru. Náhoda batérie nie je povolená. Používajte iba batérie dodané výrobcom prístroja.

Používajte výlučne výrobcom dodávanú lítium-iónovú nabíjateľnú batériu. Inštaláciu alebo vybratie batérie nájdete v časti [Obrázok 3](#).

Obrázok 3 Inštalácia alebo vybratie batérie



5.3 Nabitie batérie

⚠ NEBEZPEČIE



Nebezpečenstvo smrteľného úrazu elektrickým prúdom. Pri použití zariadenia vo vonkajších priestoroch alebo v priestoroch s možnou zvýšenou vlhkosťou musí byť na pripojenie zariadenia k elektrickému rozvodu použitý prerušovací okruh poruchy uzemnenia (GFCI/GFI).

⚠ VAROVANIE



Nebezpečenstvo vzniku požiaru. Používajte iba taký externý napájací zdroj, ktorý je určený pre tento prístroj.

⚠ VAROVANIE



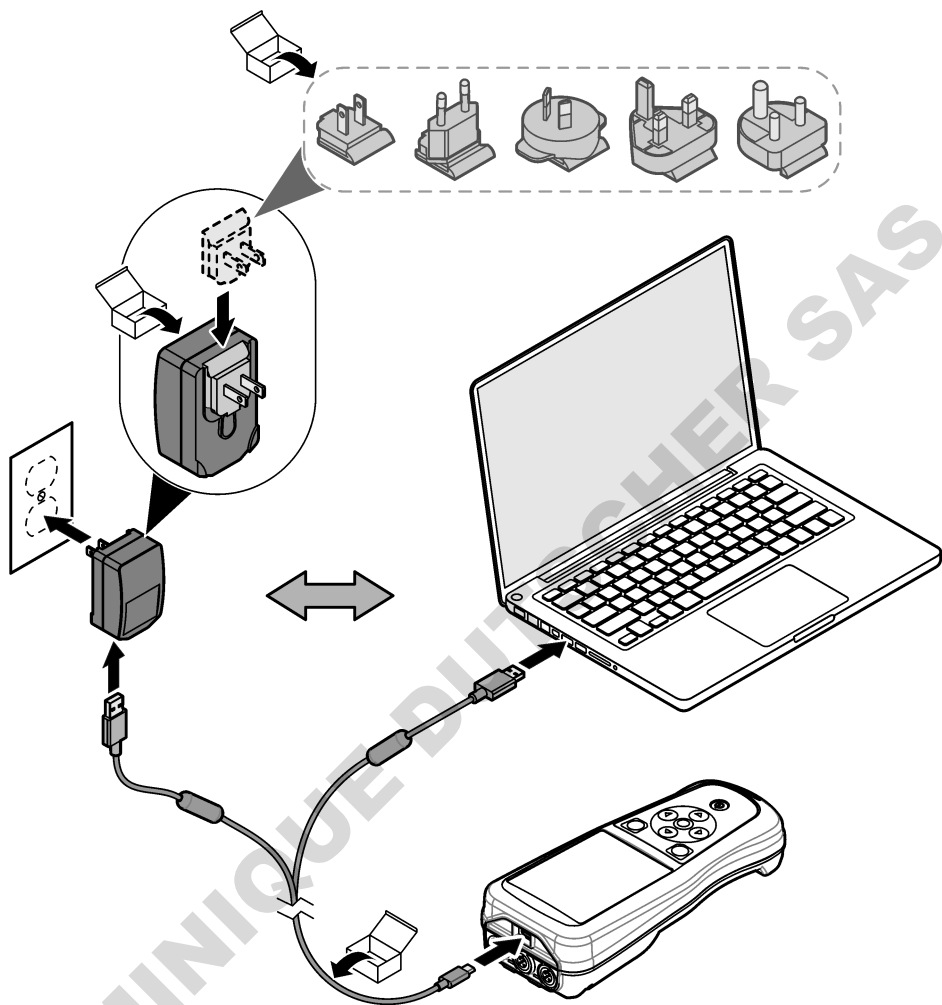
Nebezpečenstvo zásahu elektrickým prúdom. Externe pripojené príslušenstvo musí spĺňať požiadavky platných vnútroštátnych bezpečnostných predpisov.

POZNÁMKA

Uzáver portu USB inštalujte vždy, keď sa port nepoužíva, aby ste ho udržali čistý a zabránili korózii. Ak je port USB mokrý, znečistený alebo skorodovaný, batériu nenabíjajte. Pozri [Inštalácia uzáverov portov USB a sondy](#) na strane 372.

Na nabitie batérie použite dodaný kábel USB a napájací adaptér USB alebo počítač. Pozri [Obrázok 4](#). Po pripojení prístroja k napájaniu a stlačení hlavného vypínača sa rozsvieti zelený indikátor LED. Prístroj je možné používať aj počas nabíjania batérie. Úplne vybitá batéria sa úplne nabije približne po 5 hodinách (ak používate napájací adaptér USB a prístroj je vypnutý). Uistite sa, že uzáver portu USB je nainštalovaný, keď sa port USB nepoužíva. Pozri [Inštalácia uzáverov portov USB a sondy](#) na strane 372.

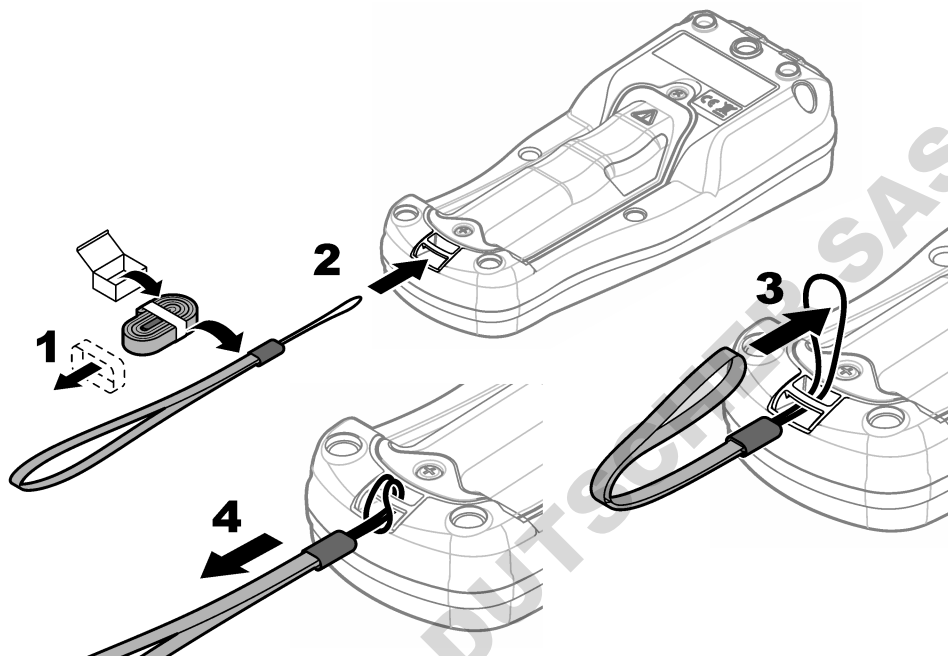
Obrázok 4 Pripojenie k napájaciemu adaptéru USB alebo k počítaču



5.4 Inštalácia lanka

Lanko slúži na zaistenie bezpečnosti umiestnenia meracieho prístroja. Pozri časť [Obrázok 5](#).

Obrázok 5 Inštalácia lanka

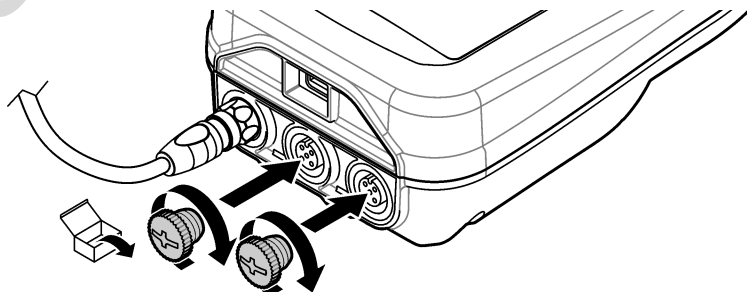


5.5 Inštalácia uzáverov portov USB a sondy

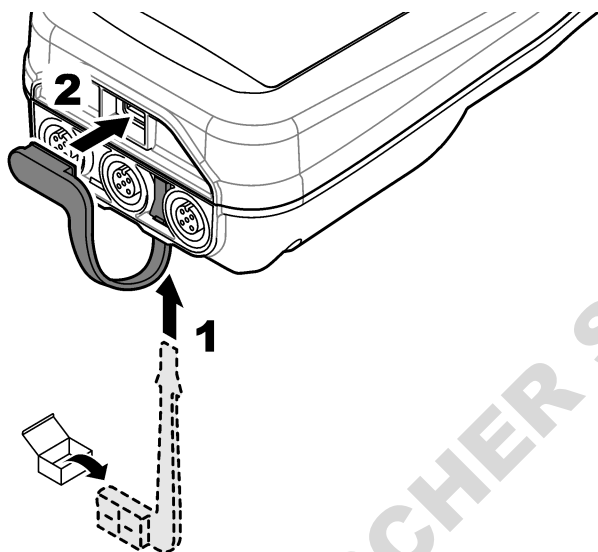
Uistite sa, či sú uzávery portov v porte (portoch) USB a sondy nainštalované, keď sa porty nepoužívajú, aby sa porty udržiavali čisté a aby sa zabránilo korózii. Uzávery portov sa musia nainštalovať do prázdnych portov, aby sa zachovala klasifikácia krytu prístroja. Pozri [Obrázok 6](#) a [Obrázok 7](#).

Poznámka: [Obrázok 6](#) zobrazuje meracie zariadenie s tromi portmi pre sondu. Niektoré modely meracích zariadení majú iba jeden alebo dva porty pre sondu.

Obrázok 6 Inštalácia uzáveru portu




Obrázok 7 Inštalácia uzáveru portu USB



Odsek 6 Spustenie do prevádzky

6.1 Spustenie meracieho prístroja

Stlačením tlačidla  spustíte merací prístroj. Ak sa merací prístroj nespustí, overte správnosť inštalácie batérie alebo to, či je merací prístroj pripojený k zdroju napájania. Pozri časť [Nabitie batérie](#) na strane 370.

6.2 Výber jazyka

Keď po prvý raz zapnete merací prístroj alebo keď nainštalujete batériu, na displeji sa zobrazí obrazovka s možnosťou výberu jazyka. Zvoľte príslušný jazyk. Jazyk je možné zmeniť aj v ponuke Nastavenia.

6.3 Nastavenie dátumu a času

Keď po prvý raz zapnete merací prístroj alebo keď nainštalujete batériu, na displeji sa zobrazí obrazovka Dátum – čas. Podľa nasledujúcich krokov nastavte dátum a čas.

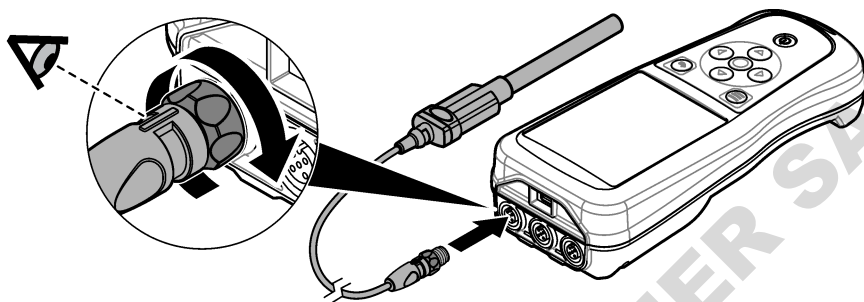
Poznámka: Dátum a čas je možné zmeniť aj v ponuke Nastavenia.

1. Stlačením tlačidiel so šípkou nahor a nadol vyberiete formát dátumu.
2. Stlačením tlačidla so šípkou doprava prejdete do časti s dátumom a časom.
3. Stlačením tlačidiel so šípkou nahor a nadol zmeníte dátum a čas.
4. Stlačením tlačidla so šípkou doprava zvýrazníte možnosť Uložiť.
5. Na uloženie nastavení vyberte možnosť Uložiť.

6.4 Pripojenie sondy

Pred pripojením sondy nezabudnite na meracom prístroji nastaviť dátum a čas. Časová značka sondy sa nastavuje pri prvom pripojení sondy k meraciemu prístroju. Časová značka (pečiatka) automaticky zaznamenáva históriu sondy a čas vykonávania meraní. Informácie o pripojení sondy k meraciemu prístroju uvádza [Obrázok 8](#).

Obrázok 8 Pripojenie sondy k meraciemu prístroju



Odsek 7 Používateľské rozhranie a navigácia

Po spustení sa na displeji zobrazí domovská obrazovka. Pozri časť [Úvodná obrazovka](#) na strane 374. Pomocou klávesnice vyberte dostupné možnosti a zmeňte hodnoty. Pozri časť [Klávesnica](#) na strane 376. Pomocou hlavnej ponuky prejdete do nastavení a ďalších ponúk. Pozri časť [Hlavná ponuka](#) na strane 377.

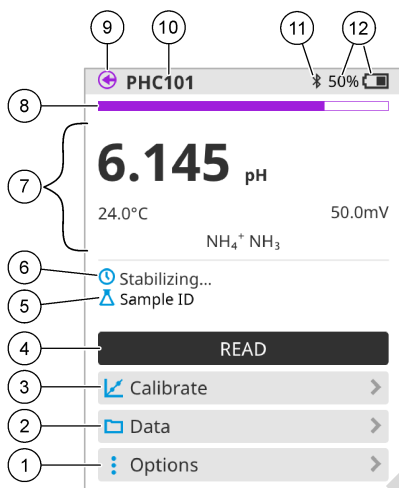
7.1 Úvodná obrazovka

Po zapnutí meracieho prístroja a pripojení sondy k meraciemu prístroju sa na displeji zobrazí domovská obrazovka. Pozri časť [Obrázok 9](#). Modely HQ4100, HQ4200, HQ4300 majú farebný displej. V prípade modelov s dvoma alebo troma portami na pripojenie sondy sa zobrazia všetky pripojené sondy. Pozri časť [Obrázok 10](#).

Nasledujúce úlohy sú dostupné na domovskej obrazovke:

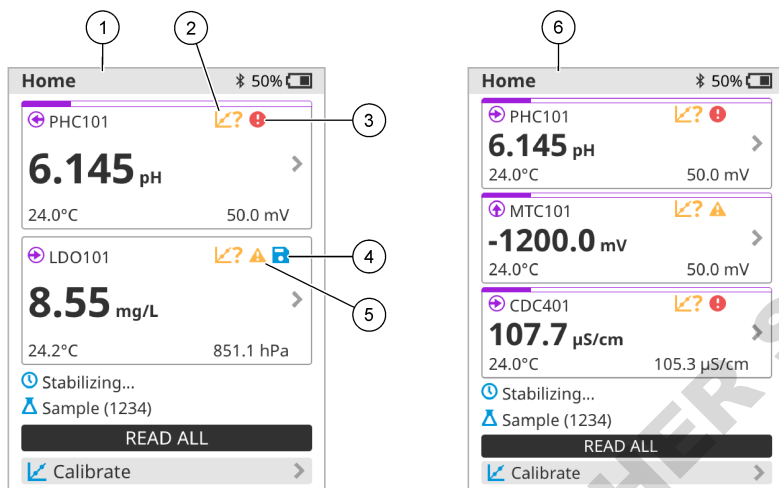
- Meranie vzoriek
- Kalibrácia sondy
- Overenie kalibrácie
- Nastavenie ID vzorky (identifikácia)
- Zobrazenie a spracovanie údajov
- Čítanie podrobných pokynov

Obrázok 9 Príklad domovskej obrazovky – jedna sonda



1 Ponuka Možnosti: ponúka prístup k pokynom a ďalším ponukám	7 Časť s hodnotami merania: slúži na zobrazenie odmeranej hodnoty, teploty a jednotiek
2 Ponuka Údaje: ponúka prístup k zobrazeniu a správe údajov	8 Indikátor stavu stability merania: slúži na zobrazenie stavu merania
3 Tlačidlo Kalibrácia: slúži na spustenie kalibrácie	9 Port sondy Intellical: slúži na zobrazenie umiestnenia portu pripojenej sondy
4 Tlačidlo Načítať: slúži na načítanie vzorky alebo hodnoty štandardného roztoku	10 Názov sondy Intellical: slúži na zobrazenie názvu modelu pripojenej sondy
5 ID vzorky: slúži na zobrazenie názvu meranej vzorky	11 Ikona Bluetooth® (ak je nainštalovaný hardvérový komunikačný kľúč Hach): zobrazí sa vtedy, keď je pripojenie Bluetooth aktívne
6 Oblasť hlásení: slúži na zobrazenie stavu merania, ID vzorky, chýb a výstrah	12 Indikátor stavu nabitia batérie: slúži na zobrazenie percenta nabitia batérie

Obrázok 10 Príklad domovskej obrazovky – dve alebo tri sondy

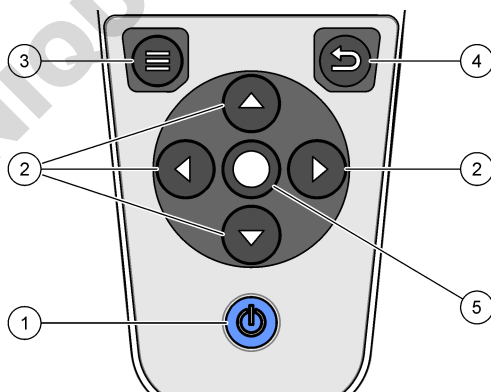


1 Domovská obrazovka s dvoma sondami	4 Ikona uloženia: údaje merania sa nachádzajú v protokole údajov
2 Ikona kalibrácií: znamená, že kalibrácia nebola akceptovaná alebo uplynula jej platnosť	5 Ikona výstrahy (prečítajte si časť Riešenie problémov na strane 381)
3 Ikona chyby (prečítajte si časť Riešenie problémov na strane 381)	6 Domovská obrazovka s tromi sondami

7.2 Klávesnica


Informácie o klávesnici uvádza [Obrázok 11](#).

Obrázok 11 Opis klávesnice

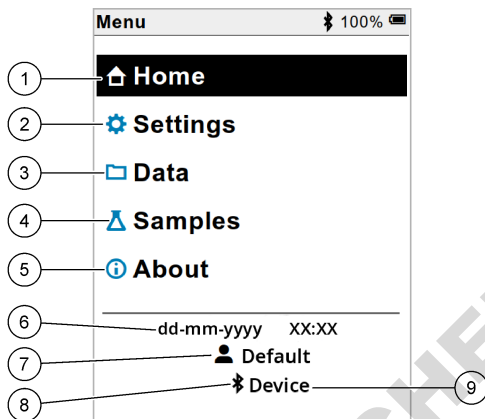


1 Hlavný vypínač	4 Tlačidlo Späť
2 Navigačné šípky	5 Kláves Vybrať
3 Kláves Ponuka	

7.3 Hlavná ponuka

Stlačením tlačidla  (Domov) prejdete do hlavného menu. Pozri časť [Obrázok 12](#).

Obrázok 12 Opis hlavnej ponuky



1 Úvodná obrazovka	4 Ponuka ID vzorky	7 ID používateľa
2 Ponuka Nastavenia	5 Obrazovka Informácie o meracom prístroji	8 Ikona Bluetooth® (ak je nainštalovaný kľúč HCD)
3 Ponuka Údaje	6 Dátum a čas	9 ID zariadenia Bluetooth® (ak je nainštalovaný kľúč HCD)

Odsek 8 Prevádzka

Táto časť obsahuje všeobecné informácie o používaní meracieho prístroja. Podrobnejšie pokyny nájdete v pokynoch na obrazovke meracieho prístroja alebo v používateľskej príručke k sonde.

8.1 Meranie vzoriek


Nasledujúce kroky predstavujú všeobecné kroky na meranie vzoriek pomocou meracieho prístroja.

1. Zvoľte režim merania. Pozri časť [Nastavenia prístroja](#) na strane 379.
2. Pripravte vzorku na meranie. Prečítajte si pokyny na obrazovke meracieho prístroja alebo v používateľskej príručke k sonde.
3. Vzorku odmerajte takto:
 - **Režim Načítať po stlačení:** vyberte možnosť Načítať (alebo Načít.všetko) a odmerajte hodnotu vzorky. Merací prístroj automaticky uloží hodnotu.
 - **Režim Interval:** výberom možnosti Spustiť (alebo Spustiť všetko) spustíte merania. Merací prístroj automaticky odmeria a uloží hodnotu vzorky v stanovených časových intervaloch. Na zastavenie meraní vyberte položku Zastaviť (alebo Zastaviť všetko).
 - **Kontinuálny režim:** merací prístroj kontinuálne meria hodnotu vzorky. Výberom položku Uložiť (alebo Uložiť všetko) uložíte hodnotu, ktorá sa zobrazuje na obrazovke displeja.

Po každom meraní sa na obrazovke zobrazí výsledok. Ak sa výsledok uloží do protokolu údajov, na obrazovke sa zobrazí ikona uloženia.

8.2 Kalibrácia sondy


Nasledujúce kroky predstavujú všeobecné kroky na kalibráciu sondy s meracím zariadením. Informácie o zmene kalibračných nastavení nájdete v časti [Nastavenia sondy](#) na strane 380.

1. Na domovskej obrazovke vyberte položku  Kalibrácia. Ak je pripojených viacero sond, vyberte sondu, ktorú chcete kalibrovať. Na displeji sa zobrazia roztoky, ktoré sú vhodné na kalibráciu.
2. Pripravte si pufre alebo štandardné roztoky na kalibráciu. Postupujte podľa pokynov na obrazovke prístroja alebo v používateľskej príručke k sonde.
3. Na spustenie kalibrácie vyberte položku Načítať. Prístroj odmeria hodnotu kalibračného roztoku. Po dokončení merania sa na displeji zobrazí výsledok.
4. Na odmeranie hodnoty iných pufrov alebo štandardných roztokov (ak sa dá použiť) vyberte položku Načítať. Na spustenie uloženie vyberte položku Uložiť.

Poznámka: Ak kalibrácia nie je akceptovaná, prečítajte si pokyny na odstraňovanie problémov na obrazovke prístroja alebo v používateľskej príručke k sonde.

8.3 Overenie kalibrácie

Nasledujúce kroky predstavujú všeobecné kroky na overenie kalibrácie sondy s meracím zariadením. Informácie o zmene nastavení overenia nájdete v časti [Nastavenia sondy](#) na strane 380.

1. Na domovskej obrazovke vyberte položky Možnosti > Overiť kalibráciu. Na displeji sa zobrazí pufer alebo štandardný roztok, ktorý sa použije na overenie.
2. Pripravte si pufer alebo štandardný roztok na overenie. Postupujte podľa pokynov na obrazovke prístroja alebo v používateľskej príručke k sonde.
3. Na spustenie overenia vyberte položku Načítať. Merací prístroj odmeria hodnotu overovacieho roztoku. Po dokončení merania sa na displeji zobrazí výsledok.
4. Keď je meranie úspešné , výberom položky Uložiť výsledok uložte.

Poznámka: Ak overenie nie je akceptované, prečítajte si pokyny na odstraňovanie problémov na obrazovke prístroja alebo v používateľskej príručke k sonde.

8.4 Zahrnutie ID vzorky s údajmi o meraní


Prístroj dokáže ukladať názov vzorky (ID) spolu s uloženými údajmi o meraní. Zadajte viacero názvov vzoriek v prístroji a potom vyberte príslušný názov vzorky predtým, než dôjde k meraniu vzoriek. Prístroj priradí čísla k vzorkám s rovnakým názvom, napríklad „Názov vzorky (2)“.

1. Stlačte tlačidlo  a vyberte položku Vzorky.
2. Vyberte niektorú z možností.

Voľba	Popis
Vzorka	Služi na výber názvu vzorky na uloženie spolu s meraniami vzorky.
Vytvoriť novú vzorku	Služi na otvorenie obrazovky a na pridanie nových názvov vzoriek. Názvy vzoriek môžu obsahovať písmená a číslce.
Vymazať vzorky	Služi na odstránenie názvov vzoriek.

8.5 Zahrnutie ID používateľa s uloženými údajmi

Prístroj dokáže zaznamenať meno používateľa (ID) spolu s uloženými údajmi. Zadajte viacero mien používateľov v prístroji a potom vyberte príslušné meno používateľa predtým, než dôjde k spusteniu kalibrácií alebo meraní.


1. Stlačte tlačidlo  a vyberte položku Nastavenia. Zobrazí sa zoznam nastavení.
2. Vyberte položku Používateľa.
3. Vyberte niektorú z možností.

Voľba	Popis
Používateľ	Služi na výber mena používateľa. Vybraté meno používateľa sa zobrazí na obrazovke hlavnej ponuky a uloží sa spolu s uloženými údajmi.
Vytvoriť nového používateľa	Služi na otvorenie obrazovky a na pridanie nových mien používateľov. Mená používateľov môžu obsahovať písmená a číslce.
Vymazať používateľov	Služi na odstránenie mien používateľov.

Odsek 9 Nastavenia prístroja

Vykonaním nasledujúcich krokov zmeňte všeobecné nastavenia prístroja.

Poznámka: Prístup k niektorým ponukám môže byť chránený heslom. Informácie o riadení prístupu nájdete v online používateľskej príručke.

1. Stlačte tlačidlo  a vyberte položku Nastavenia. Zobrazí sa zoznam nastavení.
2. Vyberte niektorú z možností.


Voľba	Popis
[Názov sondy]	Mení nastavenia špecifické pre sondu pre merania, kalibráciu a overovanie. Informácie o zmene nastavení pripojenej sondy nájdete v časti Nastavenia sondy na strane 380.
Režim merania	Nastavuje sa pri spustení merania. Možnosti: Stlačte pre načítanie, Kontinuálne alebo Interval. Stlačte pre načítanie: Vzorka sa meria iba vtedy, keď sa stlačí Načítať. Dáta sa automaticky ukladajú do protokolu údajov, keď sú splnené kritériá stability. Interval: Vzorka sa meria v pravidelných intervaloch počas stanoveného trvania. Dáta sa automaticky ukladajú do protokolu údajov. Kontinuálne: Prístroj nepretržite meria hodnotu vzorky. Dáta sa ukladajú do protokolu údajov iba vtedy, keď používateľ vyberie Uložiť.
Teplota	Nastaví jednotky teploty na ° C alebo ° F.
Displej	Zmení nastavenia displeja. Možnosti: Jas, Posvietenie a Vypnutie. Jas: Mení intenzitu podsvietenia. Možnosti: 10 až 100 % (predvolené nastavenie: 50 %). Posvietenie: Nastaví vypnutie podsvietenia, keď sa merací prístroj nepoužíva určitý čas. Možnosti: 15 sekúnd, 30 sekúnd, 1 minúta, 5 minút alebo Nikdy. Vypnutie: Nastaví sa vypnutie prístroja, keď sa prístroj nepoužíva určitý čas. Možnosti: 1 minúta, 2 minúty, 5 minút, 10 minút, 30 minút, 1 hodina, 2 hodiny alebo Nikdy.
Zvuk	Nastaví prístroj tak, aby vydával zvuk počas stlačenia klávesov alebo upozornení. Možnosti: Stlačenie klávesu, Upozornenie na stabilitu, Prípomienka, Upozornenie na chybu/varovanie alebo (batéria) Nabíjanie dokončené ,
Používateľa	Vyberá používateľa, pridá nového používateľa alebo vymaže používateľa.
Dátum–čas	Nastavuje formát dátumu a času, dátum a čas v prístroji.
Jazyk	Nastaví jazyk prístroja.

Voľba	Popis
Prístup	Nastavuje heslo na zabránenie prístupu k nastaveniam sondy, niektorým nastaveniam prístroja (režim merania, teplota, jazyk) a aktualizáciám softvéru. Keď je zapnutá kontrola prístupu, používateľ bez hesla nemôže odstrániť nastavenia ani údaje.
Diagnostika	Vytvorí diagnostický súbor pre technickú podporu alebo službu, ak sa vyskytne technický problém. Na získanie súboru musí užívateľ pripojiť prístroj k počítaču.

Odsek 10 Nastavenia sondy

Keď pripojíte sondu k meraciemu prístroju, môžete zmeniť nastavenia sondy z hľadiska meraní, kalibrácií a overovaní. Prečítajte si nasledujúce kroky, pomocou ktorých získate prístup k nastaveniam pripojenej sondy. Úplný opis nastavení nájdete v online používateľskej príručke k prístroju.

Poznámka: Prístup k niektorým ponukám môže byť chránený heslom. Informácie o nastaveniach zabezpečenia nájdete v online používateľskej príručke.


1. Stlačte tlačidlo  a vyberte položku Nastavenia. Zobrazí sa zoznam nastavení.
2. Vyberte názov sondy.
3. Vyberte príslušnú možnosť: Meranie, Kalibrácia alebo Over..

Odsek 11 Správa údajov

Merací prístroj ukladá údaje z meraní vzoriek, kalibrácií a overovaní:

- Merania vzoriek – merací prístroj automaticky ukladá odmerané údaje o vzorke v prípade, ak je nastavený režim merania Stlačením načítať alebo Interval. Keď je nastavený režim merania Kontinuálny, na uloženie odmeraných údajov o vzorke je potrebné vybrať možnosť Uložiť. Keď sa odmerané údaje o vzorke budú nachádzať v protokole údajov, ikona uloženia sa zobrazí na domovskej obrazovke.
- Kalibračné údaje – na uloženie kalibračných údajov je potrebné vybrať možnosť Uložiť. Kalibračné údaje sa uložia do meracieho prístroja a do sondy Intellical.
- Údaje overenia – na uloženie údajov overenia je potrebné vybrať možnosť Uložiť.

Na zobrazenie, export alebo odstránenie údaje vykonajte kroky uvedené nižšie.

1. Stlačte tlačidlo  a vyberte možnosť Údaje, alebo možnosť Údaje vyberte na domovskej obrazovke.
2. Vyberte niektorú z možností.

Voľba	Popis
Zobraziť údaje	Služi na zobrazenie údajov v protokole údajov. Najprv sa zobrazia najnovšie údaje. Stlačením tlačidla so šípkou nadol zobrazíte ďalšie údaje. Keď je typ údajov kalibračné údaje, zobrazí sa ikona kalibrácie. Keď je typ údajov údaje overenia, zobrazí sa ikona overenia. Ak chcete zobraziť podrobné údaje o údajovom bode, vyberte údajový riadok a stlačte tlačidlo so šípkou doprava. Ak chcete použiť filter a zobraziť iba filtrované údaje, stlačte tlačidlo so šípkou doľava a vyberte parameter, typ údajov alebo rozsah dátumov.

Voľba	Popis
Exportovať údaje	<p>Služi na odoslanie kópie údajov v protokole údajov do pripojeného počítača alebo úložného zariadenia USB. Informácie o pripojení prístroja k počítaču uvádza Obrázok 4 na strane 371. Ak chcete pripojiť prístroj k štandardnému úložnému zariadeniu USB, použite adaptér mikro USB → USB, typ A. Alternatívne môžete použiť pamäťové zariadenie USB s konektorom mikro USB.</p> <p>Keď sa prístroj pripojí k počítaču, otvorí sa okno Prieskumníka pre jednotku s názvom „HQ-Series“. Rozbaľte jednotku a vyhľadajte podpriechnik s názvom meracieho prístroja a výrobným číslom. Údajový súbor sa zobrazí ako súbor typu .csv, pričom názvom súboru bude dátum a čas. Súbor .csv uložte do počítača.</p> <p>Poznámka: Ak sa okno File Explorer neotvorí automaticky, otvorte okno File Explorer a vyhľadajte jednotku s názvom „HQ-Series“.</p>
História kalibrácie	Služi na zobrazenie aktuálnych a predchádzajúcich kalibračných údajov pripojenej sondy.
Vymazať údaje	Služi na vymazanie všetkých údajov v protokole údajov. Prístup k možnosti odstránenia údajov môže byť chránený heslom.

Odsek 12 Údržba

▲ UPOZORNENIE



Viacnásobné nebezpečenstvo. Úkony popísané v tejto časti návodu smú vykonávať iba kvalifikovaní pracovníci.

12.1 Čistenie prístroja

Podľa potreby očistite vonkajší povrch prístroja pomocou utierky navlhčenej v roztoku jemného saponátu a potom prístroj utrite dosucha.

12.2 Výmena batérie

Keď sa batéria nenabíja alebo neudrží nabitie, vymeňte ju. Používajte výlučne batériu a nabíjačku batérií, ktoré dodáva výrobca. Pozri časť [Inštalácia batérie](#) na strane 369.

12.3 Príprava na prepravu

Prístroj obsahuje lítium-iónovú batériu, ktorá je považovaná za nebezpečný materiál a musí spĺňať nariadenia týkajúce sa všetkých typov prepravy nebezpečných tovarov. Podľa krokov uvedených nižšie odošlite prístroj na opravu alebo údržbu:

- Pred prepravou odpojte sondy.
- Pred prepravou prístroj vyčistite a dekontaminujte.
- Na dosiahnutie maximálnej úrovne bezpečnosti vyťahnite zo zariadenia lítium-iónovú batériu a batériu neodosielajte. Ak je batériu potrebné poslať, ponechajte ju v kryte na batériu, ale kryt na batériu nepripájajte k prístroju. Vložte kryt na batériu spolu s nainštalovanou batériou do osobitného obalu, aby nedošlo ku kontaktu s elektricky vodivými materiálmi (napríklad kovmi).
- Prístroj prepravujte v pôvodnom balení alebo v alternatívnom ochrannom balení.

Odsek 13 Riešenie problémov

13.1 Používanie pokynov na riešenie problémov na obrazovke

Súčasťou používateľského rozhrania sú pokyny na riešenie problémov, ktoré sa môžu vyskytnúť počas meraní, kalibrácií a overovaní. Keď sa vyskytne problém, na displeji sa zobrazí ikona chyby alebo výstrahy s krátkym opisom problému. Stlačením tlačidla so šípkou doprava zobrazíte odporúčané postupy na odstránenie problému.

Odsek 14 Náhradné diely

▲ VAROVANIE



Nebezpečenstvo poranenia osôb. Používanie neschválených častí môže spôsobiť poranenie osôb, poškodenie prístroja alebo poruchy zariadenia. Náhradné diely uvedené v tejto časti sú schválené výrobcom.

Poznámka: Čísla produktov a položiek sa môžu odlišovať v niektorých predajných oblastiach. Pre kontaktné informácie sa obráťte na príslušného distribútora alebo si pozrite webovú stránku spoločnosti.

Náhradné diely

Popis	Kód položky
Batéria, lítium-iónová, 18650, 3200 mAh, anglický jazyk	LEZ015.99.00001
Batéria, lítium-iónová, 18650, 3100 mAh, čínsky jazyk	LEZ015.80.00001
Kábel, USB 2.0, typ konektora A → mikro typ B, 0,91 m (3 stopy)	LEZ015.99.00002
Obal na štandardné sondy do terénu	LEZ015.99.A001A
Obal na odolné sondy do terénu	LEZ015.99.A002A
Ručné lanko a protiprachové uzávery	LEZ015.99.A005A
Stojan s ručným popruhom	LEZ015.99.A003A
Ochranná rukavica	LEZ015.99.A004A
Napájací adaptér USB, 5 V DC, 2 A, 100 – 240 V AC, Spojené štáty	LEZ015.99.00006
Napájací adaptér USB, 5 V DC, 2 A, 100 – 240 V AC, EÚ + Spojené kráľovstvo	LEZ015.99.00004
Napájací adaptér USB, 5 V DC, 2 A, 100 – 240 V AC, Čína	LEZ015.99.00005
Napájací adaptér USB, 5 V DC, 2 A, 100 – 240 V AC, ROW	LEZ015.99.00007

Vsebina

- | | |
|--|---------------------------------------|
| 1 Spletna navodila za uporabo na strani 383 | 8 Delovanje na strani 396 |
| 2 Pregled izdelka na strani 383 | 9 Nastavitve števca na strani 398 |
| 3 Specifikacije na strani 384 | 10 Nastavitve sonde na strani 399 |
| 4 Splošni podatki na strani 385 | 11 Upravljanje podatkov na strani 399 |
| 5 Namestitvev na strani 387 | 12 Vzdrževanje na strani 400 |
| 6 Zagon na strani 392 | 13 Odpravljanje težav na strani 400 |
| 7 Uporabniški vmesnik in pomikanje na strani 393 | 14 Nadomestni deli na strani 400 |

Razdelek 1 Spletna navodila za uporabo

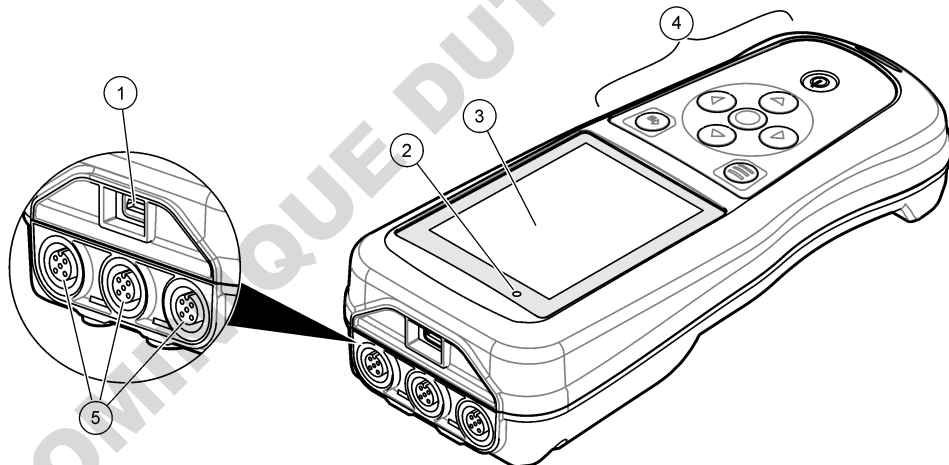
Ta osnovna navodila za uporabo vsebujejo manj informacij, kot jih vsebujejo navodila za uporabo, ki so na voljo na spletnem mestu proizvajalca.

Razdelek 2 Pregled izdelka

Prenosni merilniki serije HQ se uporabljajo z digitalnimi sondami Intellical za merjenje enega ali več parametrov kakovosti vode. Glejte [Slika 1](#). Merilnik samodejno prepozna vrsto priključene sonde. Merilnik lahko priključite na računalnik ali pomnilnik USB in prenesete podatke, ki ste jih shranili v merilnik. Izbirni komunikacijski vmesnik Hach (HCD) poveže merilnik z s programom Claros.

Na voljo je osem modelov prenosnih merilnikov serije HQ. [Tabela 1](#) prikaže vrste sond, ki jih lahko povežete s posameznim modelom.

Slika 1 Pregled izdelka



1 Priključek za mikro USB	4 Tipkovnica
2 Indikator LED	5 Priključki za sondo Intellical (prikazana je možnost s tremi priključki za sonde)
3 Zaslon	

Tabela 1 Modeli merilnika serije HQ

Model merilnika	Konektorji za sonde	pH/mV/ORP ¹ sonde	LDO/LBOD ² sonde	Prevodnost ³ sonde	ISE ⁴ sonde
HQ1110	1	✓			
HQ1130	1		✓		
HQ1140	1			✓	
HQ2100	1	✓	✓	✓	
HQ2200	2	✓	✓	✓	
HQ4100	1	✓	✓	✓	✓
HQ4200	2	✓	✓	✓	✓
HQ4300	3	✓	✓	✓	✓

Razdelek 3 Specifikacije

Pridržana pravica do spremembe tehničnih podatkov brez predhodnega obvestila.

Tehnični podatki	Podrobnosti
Dimenzije (D × Š × V)	22 × 9,7 × 6,3 cm (8,7 × 3,8 × 2,5 in)
Teža	HQ1110, HQ1130, HQ1140 in HQ2100: 519 g (18,3 oz); HQ2200: 541 g (19,1 oz); HQ4100: 530 g (18,7 oz); HQ4200: 550 g (19,4 oz); HQ4300: 570 g (20,1 oz)
Zaščita ohišja	IP67 z vgrajenim predalom za baterije
Napajanje (notranje)	Litij-ionska baterija za ponovno polnjenje 18650 (premer 18 mm × dolžina 65 mm, cilindrična), 3,7 VDC, 3200 mAh; življenjska doba baterije: > 1 teden pri običajni uporabi (10 meritev/dan, 5 dni/teden v neprekinjenem načinu ali načinu pritiska za merjenje ali > 24 ur v intervalnem načinu s 5-minutnimi intervali in časovnikom zaustavitve ≤ 15 minut)
Napajanje (zunanje)	Razred II, napajalni adapter USB: 100–240 VAC, vhodna napetost 50/60 Hz; 5 VDC pri 2 A napajalnem adapterju USB
Zaščitni razred merilnika	IEC razred III (napajanje SELV (ločena/varnostna mala napetost)); napajalni adapter USB je IEC razred II (dvojno izoliran)
Delovna temperatura	Od 0 do 60 °C (od 32 do 140 °F)
Temperatura za polnjenje	Od 10 do 40 °C (od 50 do 104 °F)
Delovna vlažnost	90 % (brez kondenzacije)
Temperatura shranjevanja	Od –20 do 60 °C (od –4 do 140 °F), največ 90 % relativne vlažnosti (brez kondenzacije)
Konektor za sonde	5-pinski konektor M12 za sonde Intellical
Priključek za mikro USB	Priključek za mikro USB omogoča priključitev kabla USB na napajalni adapter USB.
Podatkovni dnevnik (notranji)	Serija HQ1000: 5000 podatkovnih točk; serija HQ2000: 10.000 podatkovnih točk; serija HQ4000: 100.000 podatkovnih točk
Shranjevanje podatkov	Samodejno shranjevanje v načinu pritiska za merjenje in intervalnem načinu. Ročno shranjevanje v neprekinjenem načinu delovanja.

¹ Sonde pH/mV/ORP vključujejo tudi meritev temperature

² Sonde LDO/LBOD vključujejo tudi meritev temperature

³ Sonde za prevodnost vključujejo meritev slanosti, TDS (celotne raztopljene snovi), upornost in

⁴ lonsko selektivne sonde, kot so amonijeve, nitratne, kloridne, fluoridne, natrijeve

Tehnični podatki	Podrobnosti
Izvoz podatkov	USB-povezava z računalnikom ali USB-pomnilnikom (omejeno z zmogljivostjo pomnilnika)
Popravek temperature	Izklopljeno, v samodejnem in ročnem načinu (določeno s parametrom)
Certifikati	Preverjeno v skladu s CE, UKCA, FCC, ISED, RCM, KC, ETL: energetska učinkovitost US DOE/ NRCan, RoHS
Garancija	Seriji HQ1000 in HQ2000: 1 leto (US), 2 leti (EU); serija HQ4000: 3 leta (US), 3 leta (EU)

Razdelek 4 Splošni podatki

Proizvajalec v nobenem primeru ni odgovorjen za škodo, ki bi bila posledica nepravilne uporabe izdelka ali neupoštevanja navodil v priročniku. Proizvajalec si pridržuje pravico do sprememb v navodilih in izdelku, ki ga opisuje, brez vnaprejšnjega obvestila. Prenovljene različice najdete na proizvajalčevi spletni strani.

4.1 Varnostni napotki

Proizvajalec ne odgovarja za škodo, ki bi nastala kot posledica napačne aplikacije ali uporabe tega izdelka, kar med drugim zajema neposredno, naključno in posledično škodo, in zavrača odgovornost za vso škodo v največji meri, dovoljeni z zadevno zakonodajo. Uporabnik je v celoti odgovoren za prepoznavo tveganj, ki jih predstavljajo kritične aplikacije, in namestitev ustreznih mehanizmov za zaščito procesov med potencialno okvaro opreme.

Še pred razpakiranjem, zagonom ali delovanjem te naprave v celoti preberite priložena navodila. Še posebej upoštevajte vse napotke o nevarnostih in varnostne napotke. V nasprotnem primeru obstaja nevarnost hudih poškodb uporabnika oz. škode na opremi.

Zaščita te opreme mora biti brezhibna. Uporabljajte in nameščajte jo izključno tako, kot je navedeno v tem priročniku.

4.2 Uporaba varnostnih informacij

▲ NEVARNOST
Označuje možno ali neposredno nevarno situacijo, ki lahko povzroči smrt ali hude poškodbe.
▲ OPOZORILO
Označuje možno ali neposredno nevarno situacijo, ki lahko privede do hude poškodbe ali povzroči smrt, če se ji ne izognete.
▲ PREVIDNO
Označuje možno nevarno situacijo, ki lahko povzroči manjše ali srednje težke poškodbe.
OPOMBA
Označuje situacijo, ki lahko, če se ji ne izognete, povzroči poškodbe instrumenta. Informacija, ki zahteva posebno pozornost.

4.3 Opozorilne oznake

Upoštevajte vse oznake in tablice, ki so nameščene na napravo. Neupoštevanje tega lahko privede do telesnih poškodb ali poškodb naprave. Simbol na napravi se nanaša na opozorilo, ki je navedeno v navodilih.

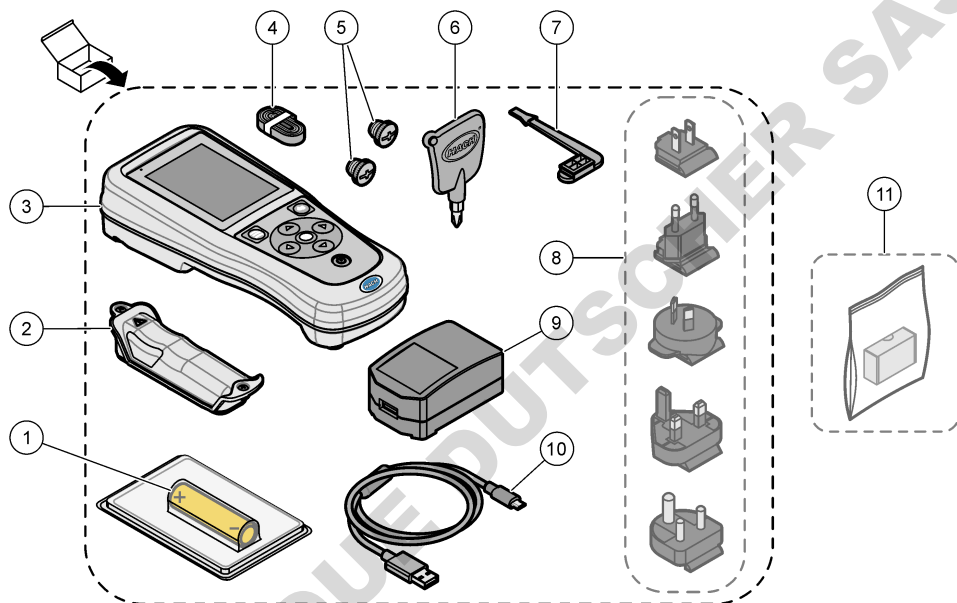


Električne opreme, označene s tem simbolom, v EU ni dovoljeno odlagati v domačih ali javnih sistemih za odstranjevanje odpadkov. Staro ali izrabljeno opremo vrnite proizvajalcu, ki jo mora odstraniti brez stroškov za uporabnika.

4.4 Sestavni deli izdelka

Preverite, ali ste prejeli vse sestavne dele. Glejte [Slika 2](#). Če kateri koli del manjka ali je poškodovan, se nemudoma obrnite na proizvajalca ali prodajnega zastopnika.

Slika 2 Sestavni deli izdelka



1 Litij-ionska baterija za ponovno polnjenje	7 Čep priključka USB
2 Predal za baterije	8 Izbirni vtikači
3 Merilnik	9 Napajalni adapter USB
4 Vrvica za okoli roke	10 Kabel USB, tip A za priključek mikro, 1 m (3,3 ft)
5 Čepa konektorjev za sonde	11 Izbirni komunikacijski vmesnik HACH (HCD)
6 Križni izvijač (št. 1 Phillips)	

4.5 Potrdila

Pravilnik za opremo, ki povzroča motnje (Kanada), IECS-002, razred B:

Zapiske o opravljenih preizkusih hrani proizvajalec.

Ta digitalna naprava razreda B izpolnjuje vse zahteve pravilnika za opremo, ki povzroča motnje in velja za Kanado.

Cet appareil numérique de classe B répond à toutes les exigences de la réglementation canadienne sur les équipements provoquant des interférences.

FCC del 15, omejitve razreda "B"

Zapiske o opravljenih preizkusih hrani proizvajalec. Ta naprava je skladna s 15. delom pravil FCC. Delovanje mora ustrezati naslednjima pogojema:

1. Oprema lahko ne sme povzročati škodljivih motenj.
2. Oprema mora sprejeti katerokoli sprejeto motnjo, vključno z motnjo, ki jo lahko povzroči neželeno delovanje.

Spremembe ali prilagoditve opreme, ki jih izrecno ne odobri oseba, odgovorna za zagotavljanje skladnosti, lahko razveljavijo uporabnikovo pravico do uporabe te naprave. Naprava je bila preizkušena in je skladna z omejitvami za digitalne naprave razreda B glede na 15. del pravil FCC. Te omejitve omogočajo zaščito pred škodljivim sevanjem, ko se naprava uporablja v komercialnem okolju. Ta oprema ustvarja, uporablja in lahko oddaja radiofrekvenčno energijo. Če ni nameščena ali uporabljena v skladu s priročnikom z navodili, lahko povzroča škodljive motnje pri radijski komunikaciji. Uporaba te opreme v bivalnem okolju verjetno povzroča škodljive motnje, zato mora uporabnik motnje na lastne stroške odpraviti. Za zmanjšanje težav z motnjami lahko uporabite naslednje tehnike:

1. Opremo umaknite stran od opreme, ki dobiva motnje.
2. Prestavite anteno naprave, ki prejema motnje.
3. Poskusite kombinacijo zgornjih možnosti.

4.6 Komunikacijski vmesnik Hach (dodatna možnost)

Izbirni komunikacijski vmesnik HACH (HCD) uporablja Bluetooth®⁵ Nizko stanje energije za komunikacijo s programom Claros. Pri namestitvi in uporabi naprave upoštevajte vsa navodila in opozorila proizvajalca. Glejte dokumentacijo, ki je priložena HCD.

4.7 Predvidena poraba

▲ PREVIDNO



Nevarnost izpostavljenosti kemikalijam. Upoštevajte varnostne predpise v laboratoriju in nosite vso osebno zaščitno opremo, primerno za delo s kemikalijami, ki jih trenutno uporabljate. Za varnostne protokole glejte veljaven varnostni list (MSDS/SDS).

Prenosni merilniki serije HQ so namenjeni uporabi posameznikov, ki merijo parametre kakovosti vode v laboratoriju ali na terenu. Merilniki serije HQ ne obdelajo ali spremenijo vode.

Razdelek 5 Namestitvev

▲ NEVARNOST



Različne nevarnosti Opravila, opisana v tem delu dokumenta, lahko izvaja samo usposobljeno osebje.

5.1 Varnost litijeve baterije

▲ OPOZORILO



Nevarnost požara in eksplozije. Litijeve baterije se lahko zaradi zlorabe močno segrejejo, eksplodirajo ali se vnamejo.



- Če je baterija vidno poškodovana, je ne uporabljajte.
- Baterije ne uporabljajte, če so bile izpostavljene močnemu udarcu ali tresenju.

⁵ Beseda in logotipi Bluetooth® so registrirane blagovne marke v lasti družbe Bluetooth SIG, Inc. Uporaba teh oznak s strani družbe HACH je urejena z licenco.

- Baterije ne izpostavljajte ognju ali vžigu.
- Baterijo hranite pri temperaturah pod 70 °C (158 °F).
- Baterijo hranite na suhem mestu, ki ne sme biti izpostavljeno vodi.
- Preprečite stik med pozitivnim in negativnim priključkom baterij.
- Stik z baterijo dovolite samo pooblaščenim osebam.
- Baterijo zavržite v skladu z lokalnimi in državnimi predpisi.
- Ne uporabljajte in hranite naprave na neposredni sončni svetlobi, blizu vira toplote ali v območjih z visoko temperaturo, kot je npr. zaprto vozilo na neposredni sončni svetlobi.

5.2 Vstavite baterijo

▲ OPOZORILO



Nevarnost požara in eksplozije. V opremo je vgrajena visokozmogljiva litijeva baterija, ki se lahko vname in povzroči požar ali eksplozijo, tudi če ni pod napetostjo. Da ohranite zaščito, ki jo nudi ohišje instrumenta, morate na ohišje instrumenta namestiti pokrove in jih pritrčiti s priloženo opremo.

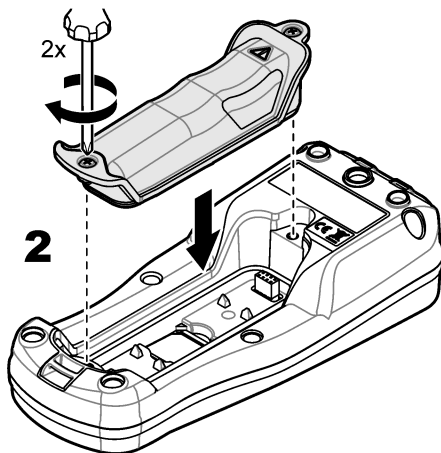
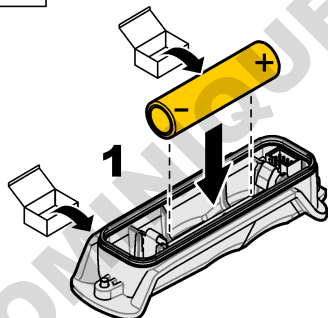
▲ OPOZORILO



Nevarnost eksplozije in požara. Nadomeščanje baterij ni dovoljeno. Uporabljajte samo baterije, ki jih dobavi proizvajalec pripomočka.

Uporabljajte izključno litij-ionske baterije za ponovno polnjenje, ki jih dobavi proizvajalec. Za navodila za namestitve in odstranitve baterije glejte [Slika 3](#).

Slika 3 Namestitvev in odstranitvev baterije



5.3 Polnjenje baterije

⚠ NEVARNOST



Smrtna nevarnost zaradi električnega udara. Če opremo uporabljate na prostem ali na potencialno mokrem mestu, morate za priklop opreme na električno vtičnico uporabiti ozemljitveni prekinjevalnik krogotoka (GFCI/GFI).

⚠ OPOZORILO



Nevarnost požara. Uporabljajte samo zunanje napajanje, ki je podano za ta instrument.

⚠ OPOZORILO



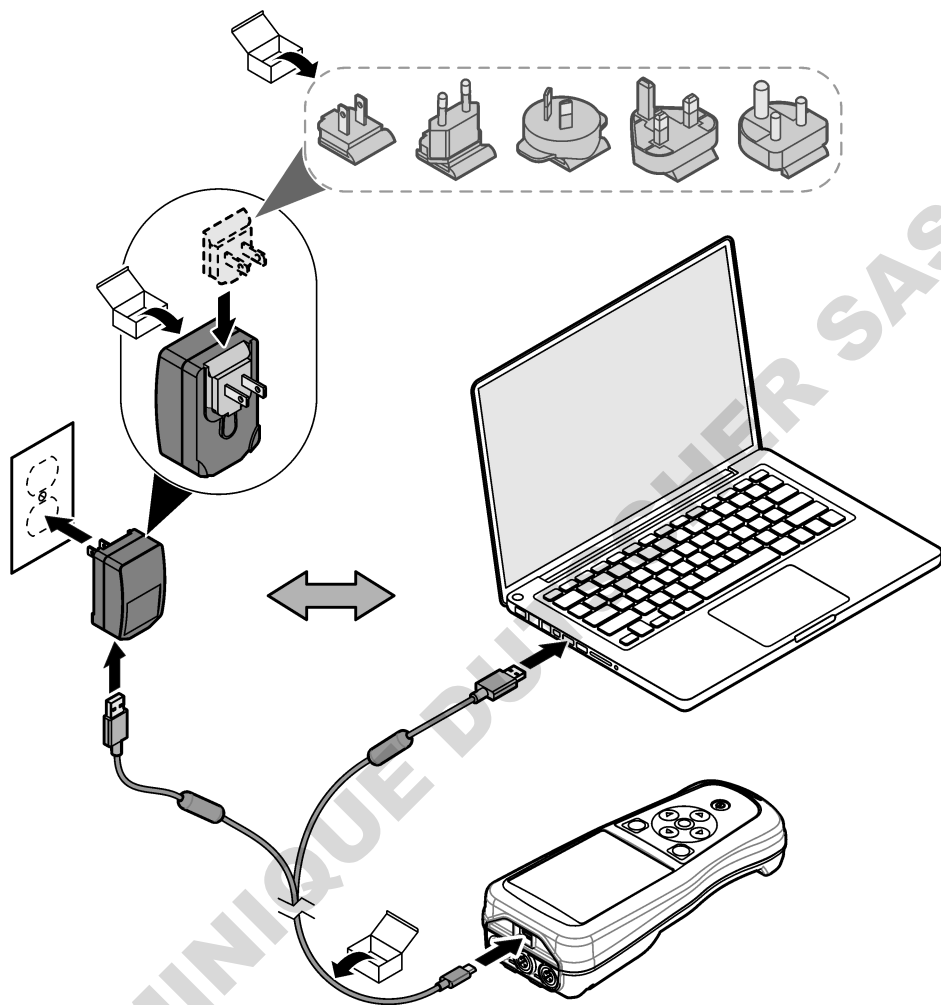
Nevarnost električnega udara. Zunanje priključena oprema mora imeti ustrezno državno oceno varnostnega standarda.

OPOMBA

Kadar se priključek USB ne uporablja, ga vedno zaščitite s čepom, da vanj ne zaide umazanija in preprečite korozijo. Če je priključek USB moker, umazan ali korodiran, ne polnite baterije. Glejte [Namestitev čepov priključkov USB in sonde](#) na strani 391.

Baterijo napolnite prek priloženega kabla USB in napajalnega adapterja USB ali računalnika. Glejte [Slika 4](#). Ko priklopite instrument na napajanje in pritisnete tipko za vklop/izklop, zasveti zelen indikator LED. Uporabnik lahko uporablja instrument, medtem ko se baterija polni. Prazna baterija se popolnoma napolni po približno 5 urah, če uporabljate napajalni adapter USB in je instrument izklopljen. Kadar se priključek USB ne uporablja, ga zaščitite s čepom. Glejte [Namestitev čepov priključkov USB in sonde](#) na strani 391.

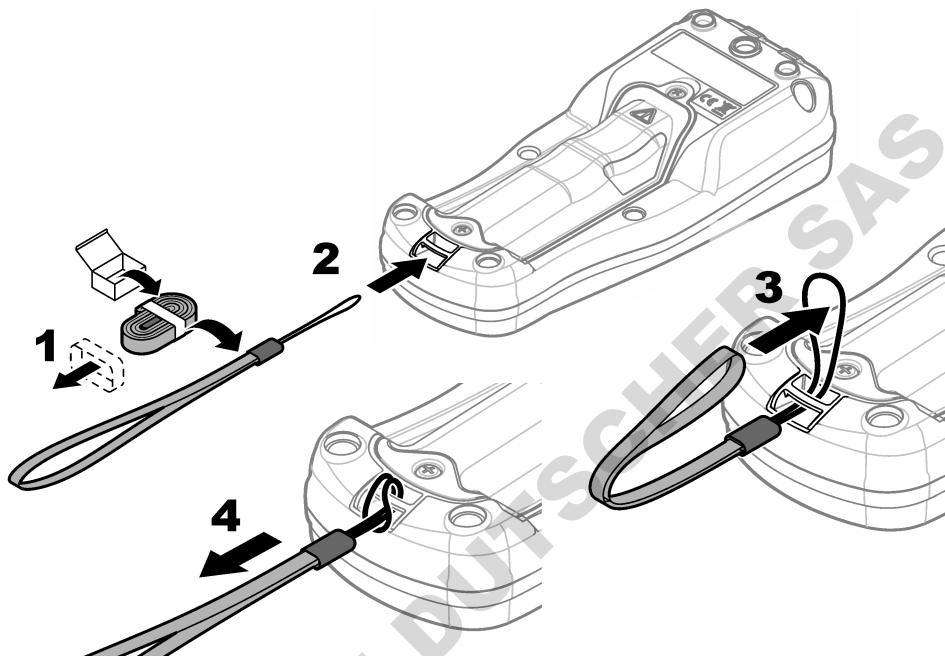
Slika 4 Priklopite na napajalni adapter USB ali računalnik



5.4 Namestitev vrvice

Namestite vrnico za varno držanje merilnika. Glejte [Slika 5](#).

Slika 5 Namestitev vrvice

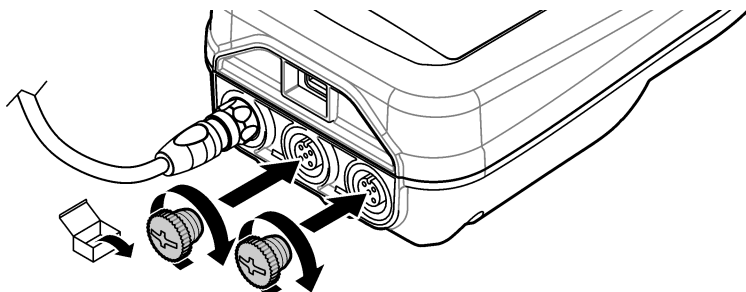


5.5 Namestitev čepov priključkov USB in sonde

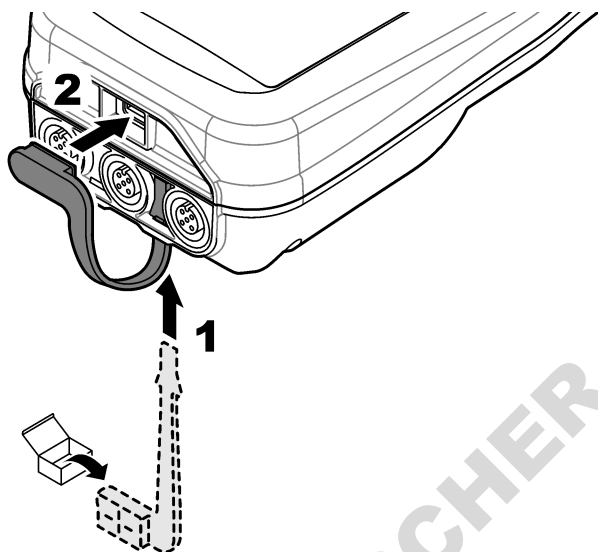
Kadar se priključki za USB in sonde ne uporabljajo, jih vedno zaščitite s čepom, da vanje ne zaide umazanija in preprečite korozijo. Prazni priključki morajo biti zaščiteni s čepi, ki ohranjajo stopnjo zaščite ohišja instrumenta. Glejte [Slika 6](#) in [Slika 7](#).

Napotek: [Slika 6](#) prikazuje merilnik s tremi priključki za sondo. Nekateri modeli merilnikov imajo le enega ali dva priključka za sondo.

Slika 6 Namestitev čepa priključka



Slika 7 Namestitev čepa priključka USB



Razdelek 6 Zagon

6.1 Zagon merilnika

Za zagon merilnika pritisnite . Če se merilnik ne zažene, se prepričajte, da je baterija vstavljena pravilno ali da je merilnik priključen na električno vtičnico. Glejte [Polnjenje baterije](#) na strani 389.

6.2 Nastavitev jezika

Ob prvem napajanju merilnika ali po vstavljanju nove baterije se na zaslonu prikaže možnost izbire jezika. Izberite želeni jezik. Jezik lahko spremenite v meniju z nastavitvami.

6.3 Nastavitev datuma in časa

Ob prvem napajanju merilnika ali po vstavljanju nove baterije se na zaslonu izpišeta datum in čas. Dokončajte opisani postopek za nastavitev datuma in časa.

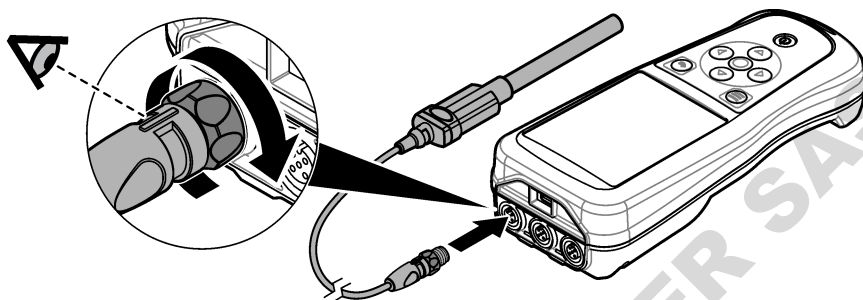
Napotek: Datum in čas lahko spremenite v meniju z nastavitvami.

1. S tipkama s puščico gor in dol izberite obliko datuma.
2. S tipko s puščico desno se premaknite na datum in čas.
3. S tipkama s puščico gor in dol lahko spremenite datum in čas.
4. Pritisnite tipko s puščico desno, da označite možnost Shrani.
5. Če želite ohraniti nastavitve, izberite Shrani.

6.4 Priključitev sonde

Čas in datum morate nastaviti v merilniku, preden priključite sondo. Časovni žig sonde je nastavljen ob prvem priklopu sonde na merilnik. Časovni žig samodejno zabeleži zgodovino in čas opravljene meritve. Za priključitev sonde na merilnik glejte [Slika 8](#).

Slika 8 Priključitev sonde na merilnik



Razdelek 7 Uporabniški vmesnik in pomikanje

Po zagonu se na ekranu prikaže začetni zaslon. Glejte [Začetni zaslon](#) na strani 393. Za razpoložljive možnosti in spreminjanje vrednosti uporabite tipkovnico. Glejte [Tipkovnica](#) na strani 395. Na nastavitve in druge menije se lahko premaknete iz glavnega menija. Glejte [Glavni meni](#) na strani 396.

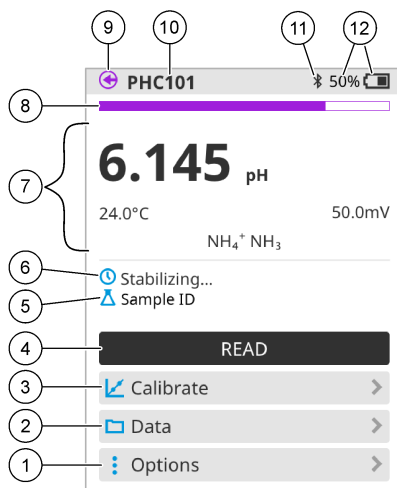
7.1 Začetni zaslon

Na ekranu se prikaže začetni zaslon, ko je merilnik vklopljen in je sonda priključena na merilnik. Glejte [Slika 9](#). Modeli HQ4100, HQ4200, HQ4300 imajo barvni zaslon. Pri modelih z dvema ali tremi priključki za sondo so na zaslonu prikazane vse priključene sonde. Glejte [Slika 10](#).

Opravila v nadaljevanju so na voljo prek začetnega zaslona:

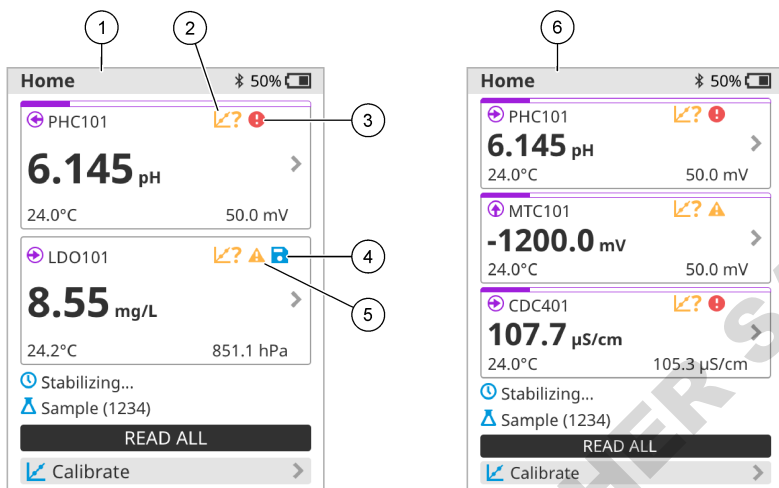
- Merjenje vzorcev
- Umerjanje sonde
- Preverjanje umerjanja
- Nastavitev ID-ja vzorca (identifikacija)
- Ogled in upravljanje podatkov
- Branje postopnih navodil

Slika 9 Primer začetnega zaslona – ena sonda



1	Meni Možnosti: omogoča dostop do navodil in drugih menijev	7	Razdelek z vrednostjo merjenje: prikaže izmerjeno vrednost, temperaturo in enote
2	Meni Podatki: omogoča dostop do ogleda in upravljanja podatkov	8	Indikator stanja stabilnosti merjenje: prikaže stanje merjenja
3	Gumb Umerjanje: začne umerjanje	9	Prikluček za sondo Intellical: prikaže mesto priključka priključene sonde
4	Gumb Merjenje: izmeri vrednosti vzorčne ali standardne raztopine	10	Ime sonde Intellical: prikaže ime modela priključene sonde
5	ID vzorca: prikaže ime vzorca, ki ga izmerite	11	Ikona Bluetooth® (če je nameščen komunikacijski vmesnik Hach): prikaže, ko je povezava Bluetooth aktivna
6	Območje sporočila: prikaže stanje meritve, ID vzorca, napake in opozorila	12	Indikator stanja napolnjenosti baterije: prikaže odstotek napolnjenosti baterije

Slika 10 Primer začetnega zaslona – dva ali trije priključki

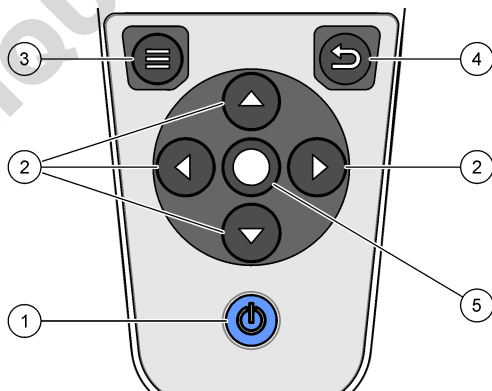


1 Začetni zaslon z dvema sondama	4 Ikona shranjevanja: podatki o merjenju so shranjeni v podatkovnem dnevniku
2 Ikona umerjanj: označuje, da umerjanje ni bilo sprejeto ali pa je poteklo	5 Ikona opozorila (glejte Odpravljanje težav na strani 400)
3 Ikona napake (glejte Odpravljanje težav na strani 400)	6 Začetni zaslon s tremi sondami

7.2 Tipkovnica


Za opis tipkovnice glejte [Slika 11](#).

Slika 11 Opis tipkovnice

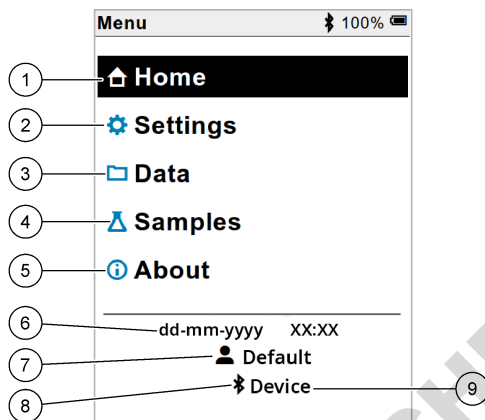


1 Tipka za vklop/izklop	4 Tipka za nazaj
2 Puščice za premikanje	5 Tipka za izbiro
3 Tipka menija	

7.3 Glavni meni

Pritisnite , da se vrnete v glavni meni. Glejte [Slika 12](#).

Slika 12 Opis glavnega menija



1 Domov	4 Meni ID-ja vzorca	7 ID uporabnika
2 Meni Nastavitve	5 O zaslonu merilnika	8 Ikona Bluetooth® (če je nameščen HCD)
3 Meni Podatki	6 Datum in čas	9 ID naprave Bluetooth® (če je nameščen HCD)

Razdelek 8 Delovanje

V tem razdelku boste našli splošna navodila za delovanje merilnika. Če potrebujete natančnejša navodila, upoštevajte navodila na zaslonu merilnika ali navodila za uporabo sonde.

8.1 Merjenje vzorcev


V nadaljevanju so opisani splošni koraki za merjenje vzorcev z merilnikom.

1. Izberite način meritev. Glejte [Nastavitve števcva](#) na strani 398.
2. Pripravite vzorec za merjenje. Oglejte si navodila na zaslonu merilnika ali navodila za uporabo sonde.
3. Vzorec izmerite po opisanem postopku:
 - **Pritisnite za način merjenja:** izberite Merjenje (ali Odčitaj vse), da izmerite vrednost vzorca. Merilnik samodejno shrani vrednosti.
 - **Intervalni način:** izberite Začni (ali Začni vse), da začnete merjenja. Merilnik samodejno izmeri in shrani vrednosti vzorca v določenih časovnih intervalih. Izberite Zaustavi (ali Zaustavi vse), da zaustavite merjenja.
 - **Neprekinjen način:** merilnik meri vrednost vzorca neprekinjeno. Izberite Shrani (ali Shrani vse), če želite shraniti vrednost, ki je prikazana na zaslonu.

Po vsakem merjenju se na zaslonu prikaže rezultat. Ikona za shranjevanje se prikaže na zaslonu, če je rezultat shranjen v podatkovni dnevnik.

8.2 Umerjanje sonde


V nadaljevanju so opisani splošni koraki za umerjanje sonde z merilnikom. Če želite spremeniti nastavitve umerjanja, glejte [Nastavitve sonde](#) na strani 399.

1. Na začetnem zaslonu izberite  Umerjanje. Če je priključena več kot ena sonda, izberite sondo, ki jo želite umeriti. Na zaslonu so prikazane raztopine, ki jih morate uporabiti za umerjanje.
2. Pripravite pufrsko ali standardno raztopino za umerjanje. Upoštevajte navodila na zaslonu merilnika ali navodila za uporabo sonde.
3. Izberite Merjenje, da začnete umerjanje. Merilnik izmeri vrednost raztopine za umerjanje. Ko je merjenje končano, je na zaslonu prikazan rezultat.
4. Izberite Merjenje, da izmerite vrednost drugih pufrskih ali standardnih raztopin, če so na voljo. Izberite Shrani, da shranite umerjanje.

Napotek: Če umerjanje ni sprejeto, upoštevajte navodila za odpravljanje napak na zaslonu merilnika ali navodila za uporabo sonde.

8.3 Preverjanje umerjanja

V nadaljevanju so opisani splošni koraki za preverjanje umerjanja sonde z merilnikom. Za spremembo nastavitve preverjanja glejte [Nastavitve sonde](#) na strani 399.

1. Na začetnem zaslonu izberite Možnosti > Preveri umerjanje. Na zaslonu je prikazana pufrska ali standardna raztopina, ki jo lahko uporabite za preverjanje.
2. Pripravite pufrsko ali standardno raztopino za preverjanje. Upoštevajte navodila na zaslonu merilnika ali navodila za uporabo sonde.
3. Preverjanje začnete tako, da izberete Merjenje. Merilnik izmeri vrednost raztopine, ki jo želite preveriti. Ko je merjenje končano, je na zaslonu prikazan rezultat.
4. Če je preverjanje uspešno , izberite Shrani, da shranite rezultat.

Napotek: Če preverjanje ni sprejemljivo, upoštevajte navodila za odpravljanje napak na zaslonu merilnika ali navodila za uporabo sonde.

8.4 Vključevanje ID-ja vzorca skupaj s podatki o meritvah


Instrument lahko skupaj s podatki o meritvah shrani tudi ime vzorca (ID). V instrument vnesite več imen vzorcev, nato pa pred merjenjem vzorcev izberite ustrezno ime vzorca. Če imate vzorec z enakim imenom, bo instrument dodal številko, npr. "Ime vzorca (2)".

1. Pritisnite  in izberite Vzorci.
2. Izberite možnost.

Možnost	Opis
Vzorec	Izbere ime vzorca, ki ga želite shraniti z meritvami vzorca.
Ustvari nov vzorec	Odpri se zaslon za dodajanje novih imen vzorcev. Imena vzorcev lahko vključujejo črke in številke.
Izbrisi vzorce	Odstrani imena vzorcev.

8.5 Vključevanje ID-ja uporabnika s shranjenimi podatki

Instrument lahko skupaj s shranjenimi podatki zabeleži tudi uporabniško ime (ID). V instrument vnesite več uporabniških imen, nato pa pred zagonom umerjanja ali merjenj izberite ustrezno uporabniško ime.


1. Pritisnite  in izberite Nastavitve. Odpre se seznam nastavitvev.
2. Izberite Uporabniki.
3. Izberite možnost.

Možnost	Opis
Uporabnik	Izberite ime uporabnika. Izbrano uporabniško ime se prikaže na zaslону glavnega menija in se shrani skupaj s podatki.
Ustvari novega uporabnika	Odpre se zaslon za dodajanje novih uporabniških imen. Uporabniška imena lahko vključujejo črke in številke.
Izbriši uporabnike	Odstrani uporabniška imena.

Razdelek 9 Nastavitve števca

Izvedite naslednje korake za spremembo splošnih nastavitvev števca.

Napotek: Dostop do nekaterih menjev je lahko zaščiten z geslom. Informacije o nadzoru dostopa najdete v spletnem priročniku za uporabo.

1. Pritisnite  in izberite Nastavitve. Odpre se seznam nastavitvev.
2. Izberite možnost.


Možnost	Opis
[Ime sonde]	Spremeni nastavitve sonde za meritve, kalibracijo in preverjanje. Za spremembo nastavitvev povezane sonde glejte Nastavitve sonde na strani 399.
Način merjenja	Nastavi, ko se začnejo meritve. Možnosti: Pritisnite za merjenje, Neprekinjeno ali Interval. Pritisnite za merjenje: Vzorec se meri samo, ko se potisne Merjenje. Podatki se samodejno shranijo v dnevnik podatkov, ko so izpolnjena merila stabilnosti. Interval: Vzorec se meri v rednih intervalih za določeno trajanje. Podatki se samodejno shranijo v podatkovni dnevnik. Neprekinjeno: Merilnik stalno meri vrednost vzorca. Podatki se shranijo v dnevnik podatkov le, ko uporabnik izbere Shrani.
Temperatura	Nastavi temperaturne enote na ° C ali ° F.
Zaslon	Spremeni nastavitve zaslona. Možnosti: Svetlost, Osvetlitev ozadja in Zaustavitev. Svetlost: Spreminja intenzivnost osvetlitve ozadja. Možnosti: od 10 do 100 % (privzeto: 50 %). Osvetlitev ozadja: Izklopi osvetlitev ozadja, ko merilnik ne uporablja določenega časa. Možnosti: 15 sekund, 30 sekund, 1 minuta, 5 minut ali Nikoli. Zaustavitev: Izklopi merilnik, ko števec ne uporablja določenega časa. Možnosti: 1 minuta, 2 minuta, 5 minut, 10 minut, 30 minut, 1 ura, 2 uri ali Nikoli.
Zvok	Nastavi merilnik, da oddaja zvok med pritiskom tipk ali obvestil. Možnosti: Pritisk tipke, Opozorilo stabilnosti, Opomnik, Obvestilo o napaki ali (baterija) Polnjenje je končano. .
Uporabniki	Izbere uporabnika, doda novega ali ga izbriše.
Datum-čas	V merilniku nastavi obliko datuma / časa, datum in čas.
Jezik	Nastavi jezik merilnika.

Možnost	Opis
Dostop	Nastavi geslo, da prepreči dostop do nastavitve sonde, nekaterih nastavitve merilnika (način merjenja, temperatura, jezik) in posodobitve programske opreme. Uporabnik brez gesla ne more izbrisati nastavitve ali podatkov, ko je nadzor dostopa vklopljen.
Diagnostika	V primeru tehnične težave naredi diagnostično datoteko za tehnično podporo ali servis. Uporabnik mora povezati inštrument z osebnim računalnikom, da bo dobil datoteko.

Razdelek 10 Nastavitve sonde

Ko je sonda priključena na merilnik, lahko uporabnik spremeni nastavitve sonde za merjenja, umerjanja in preverjanja. Oglejte si postopek, po katerem boste imeli dostop do nastavitve za priključeno sondo. Celoten opis nastavitve si lahko ogledate v spletnih navodilih za uporabo merilnika.

Napotek: Dostop do nekaterih menijev je lahko zaščiten z geslom. Več o varnostnih nastavitvah si lahko preberete v spletnih navodilih za uporabo.


1. Pritisnite  in izberite Nastavitve. Odpre se seznam nastavitve.
2. Izberite ime sonde.
3. Izberite ustrezno možnost: Meritev, Umerjanje ali Preverjanje.

Razdelek 11 Upravljanje podatkov

Merilnik shrani podatke o merjenjih, umerjanjih in preverjanjih vzorca po tem postopku:

- Merjenje vzorcev – merilnik samodejno shrani izmerjene podatke o vzorcu, ko je izbran način merjenja "Pritisni za merjenje" ali "Intervalni način". Ko je izbran neprekinjen način merjenja, mora uporabnik za shranjevanje izmerjenih podatkov o vzorcu izbrati možnost "Shrani". Ikona shranjevanja se prikaže na začetnem zaslonu, ko so izmerjeni podatki o vzorcu v podatkovnem dnevniku.
- Podatki o umerjanju – uporabnik mora izbrati možnost "Shrani", če želi shraniti podatke o umerjanju. Podatki o umerjanju se shranijo v merilnik in sondo Intellical.
- Podatki o preverjanju – uporabnik mora izbrati možnost "Shrani", če želi shraniti podatke o preverjanju.


Če si želite ogledati, izvoziti ali izbrisati podatke, dokončajte postopek v nadaljevanju.

1. Pritisnite  in izberite Podatki ali pa na začetnem zaslonu izberite Podatki.
2. Izberite možnost.

Možnost	Opis
Prikaži podatke	<p>Prikaže podatke v podatkovnem dnevniku. Najprej so prikazani najnovejši podatki. Če si želite ogledati še več podatkov, pritisnite puščico dol. Ikona umerjanja se prikaže, ko so za podatkovni tip izbrani podatki o umerjanju. Ikona preverjanja se prikaže, ko so za podatkovni tip izbrani podatki o preverjanju.</p> <p>Če si želite ogledati več podrobnosti za podatkovno točko, izberite podatkovno vrstico in pritisnite puščico desno. Če želite uporabiti filter in prikazati le filtrirane podatke, pritisnite puščico levo in izberite parameter, podatkovni tip ali datumski obseg.</p>
Izvozi podatke	<p>Poslje kopij vseh podatkov v podatkovnem dnevniku v priključen računalnik ali pomnilnik USB. Za priključitev instrumenta na računalnik glejte Slika 4 na strani 390. Za priključitev instrumenta na standardni pomnilnik USB uporabite mikro USB ali adapter USB tipa A. Uporabite lahko tudi pomnilnik USB s priključkom za mikro USB.</p> <p>Ko se instrument poveže z računalnikom, se v pogonu odpre okno Raziskovalca "HQ-Series". Razširite pogon in poiščite podmapo z imenom merilnika in serijsko številko. Podatkovna datoteka je prikazana kot datoteka .csv z datumom in časom v imenu datoteke. Datoteko .csv shranite na določeno mesto v računalniku.</p> <p>Napotek: Če se okno Raziskovalca ne odpre samodejno, okno odprite ročno in poiščite mapo "HQ-Series".</p>

Možnost	Opis
Zgodovina umerjanje	Prikaže podatke o trenutnem in preteklem umerjanju za priključeno sondo.
Izbriši podatke	Izbriše vse podatke v podatkovnem dnevniku. Dostop do možnosti brisanja podatkov je lahko zaščiten z geslom.

Razdelek 12 Vzdrževanje

▲ PREVIDNO	
	Različne nevarnosti Opravila, opisana v tem delu dokumenta, lahko izvaja samo usposobljeno osebje.

12.1 Čiščenje instrumenta

Zunanost instrumenta očistite z vlažno krpo in blago milno raztopino ter ga obrišite, če je to potrebno.

12.2 Zamenjava baterije

Baterijo zamenjajte, ko je ni mogoče več polniti ali ko ne more zadržati napolnjenosti. Uporabljajte izključno baterijo in polnilnik za baterije, ki ju dobavi proizvajalec. Glejte [Vstavite baterijo](#) na strani 388.


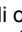
12.3 Priprava za pošiljanje

Instrument vsebuje litij-ionsko baterijo, ki se obravnava kot nevaren material, zato mora pri vseh vrstah prevoza ustrezati predpisom za nevarne snovi. Če želite poslati instrument v popravilo ali vzdrževanje, upoštevajte opisani postopek:


- Pred pošiljanjem odklopite sonde.
- Pred pošiljanjem instrument očistite in razkužite.
- Zaradi zagotavljanja varnosti odstranite litij-ionsko baterijo iz naprave in baterije ne pošiljajte skupaj z napravo. Če morate poslati tudi baterijo, naj bo ta nameščena v ohišju za baterijo, vendar ohišja za baterijo ne namestite na instrument. Ohišje za baterijo skupaj z vstavljenjo baterijo položite v ločeno embalažo, da preprečite stik z električno prevodnimi materiali (npr. kovinami).
- Instrument odpošljite v originalni embalaži ali kateri koli drugi zaščitni embalaži.

Razdelek 13 Odpravljanje težav

13.1 Uporaba navodil za odpravljanje napak na zaslonu

Uporabniški vmesnik vsebuje navodila za odpravljanje napak, ki vam pomagajo odpraviti težave, do katerih lahko pride med merjenjem, umerjanjem in preverjanjem. Ob pojavi težave se na zaslonu prikaže ikona napake  ali opozorila  s kratkim opisom težave. S pritiskom desne puščice si lahko ogledate priporočene postopke za odpravljanje težave.

Razdelek 14 Nadomestni deli

▲ OPOZORILO	
	Nevarnost telesnih poškodb. Z uporabo neodobrenih delov tvegate telesne poškodbe, materialno škodo na instrumentih ali okvaro opreme. Nadomestne dele v tem razdelku je odobril proizvajalec.

Napotek: Za nekatere prodajne regije se lahko številka izdelka in artikla razlikuje. Za kontaktne informacije stopite v stik z ustreznim prodajalcem ali pa jih poiščite na spletni strani podjetja.

Nadomestni deli

Opis	Št. dela
Baterija, litij-ionska, 18650, 3200 mAh, angleščina	LEZ015.99.00001
Baterija, litij-ionska, 18650, 3100 mAh, kitajščina	LEZ015.80.00001
Kabel, USB 2.0, tip vtiča A do tipa mikro vtiča B, 0,91 m (3 ft)	LEZ015.99.00002
Terenska torbica za standardne sonde	LEZ015.99.A001A
Terenska torbica za robustne sonde	LEZ015.99.A002A
Vrvica za okoli roke in protiprašni čepi	LEZ015.99.A005A
Opora in pašček za roko	LEZ015.99.A003A
Zaščitna rokavica	LEZ015.99.A004A
Napajalni adapter USB, 5 VDC, 2 A, 100–240 VAC, US	LEZ015.99.00006
Napajalni adapter USB, 5 VDC, 2 A, 100–240 VAC, EU + UK	LEZ015.99.00004
Napajalni adapter USB, 5 VDC, 2 A, 100–240 VAC, Kitajska	LEZ015.99.00005
Napajalni adapter USB, 5 VDC, 2 A, 100–240 VAC, ROW	LEZ015.99.00007

Sadržaj

- | | |
|---|---|
| 1 Mrežni korisnički priručnik na stranici 402 | 8 Rad na stranici 415 |
| 2 Pregled proizvoda na stranici 402 | 9 Postavke brojila na stranici 417 |
| 3 Specifikacije na stranici 403 | 10 Postavke sonde na stranici 418 |
| 4 Opći podaci na stranici 404 | 11 Upravljanje podacima na stranici 418 |
| 5 Instalacija na stranici 406 | 12 Održavanje na stranici 419 |
| 6 Pokretanje na stranici 411 | 13 Rješavanje problema na stranici 419 |
| 7 Korisničko sučelje i navigacija na stranici 412 | 14 Zamjenski dijelovi na stranici 419 |

Odjeljak 1 Mrežni korisnički priručnik

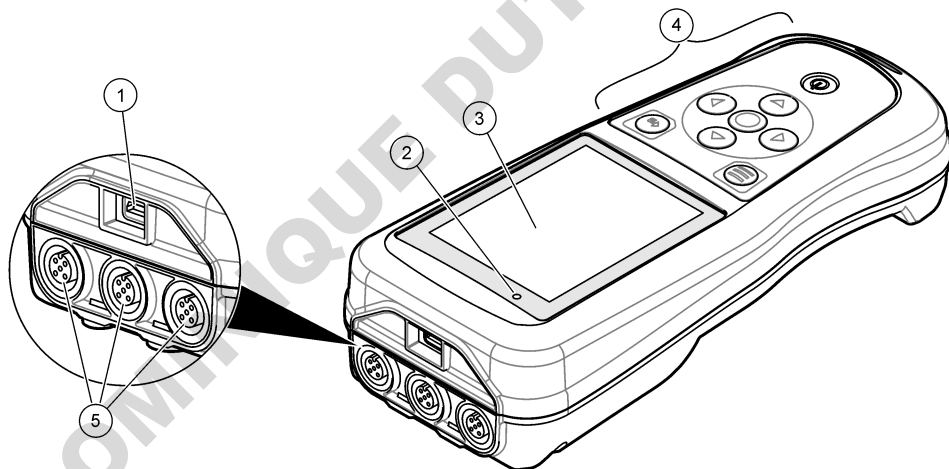
Ovaj Osnovni korisnički priručnik sadrži manje podataka od Korisničkog priručnika koji je dostupan na web-mjestu proizvođača.

Odjeljak 2 Pregled proizvoda

Prijenosni mjerači serije HQ upotrebljavaju se uz digitalne sonde Intellical za mjerenje jednog parametra kvalitete vode ili njih više. Pogledajte [Slika 1](#). Mjerač automatski prepoznaje vrstu sonde koja je na njega priključena. Mjerač se može povezati s računalom ili USB uređajem za pohranu za prijenos podataka spremjenih u mjeracu. Izborni Komunikacijski ključić tvrtke Hach (HCD) povezuje mjerac na Claros.

Dostupno je osam modela prijenosnih mjerača serije HQ. [Tablica 1](#) prikazuje vrste sondi koje se mogu priključiti na svaki model.

Slika 1 Pregled proizvoda



1 Mikro USB priključak	4 Tipkovnica
2 LED indikator	5 Priključci za sonde Intellical (prikazana je opcija priključka za tri sonde)
3 Zaslon	

Tablica 1 Modeli mjerača serije HQ

Model mjerača	Priključci sonde	pH/mV/ORP ¹ sonde	LDO/LBOD ² sonde	Vodljivost ³ sonde	ISE ⁴ sonde
HQ1110	1	✓			
HQ1130	1		✓		
HQ1140	1			✓	
HQ2100	1	✓	✓	✓	
HQ2200	2	✓	✓	✓	
HQ4100	1	✓	✓	✓	✓
HQ4200	2	✓	✓	✓	✓
HQ4300	3	✓	✓	✓	✓

Odjeljak 3 Specifikacije

Specifikacije se mogu promijeniti bez prethodne najave.

Specifikacije	Pojedinosti
Dimenzije (D x Š x V)	22 x 9.7 x 6.3 cm (8.7 x 3.8 x 2.5 inča)
Težina	HQ1110, HQ1130, HQ1140 i HQ2100: 519 g (18,3 oz); HQ2200: 541 g (19,1 oz); HQ4100: 530 g (18,7 oz); HQ4200: 550 g (19,4 oz); HQ4300: 570 g (20,1 oz)
Klasa kućišta	IP67 s ugrađenim odjeljkom za baterije
Zahtjevi napajanja (interni)	Punjiva litij-ionska baterija 18650 (promjer 18 mm x duljina 65 mm, cilindrična), 3,7 VDC, 3200 mAh; Trajanje baterije: dulje od jednog tjedna uobičajene upotrebe (10 očitavanja dnevno, 5 dana u tjednu u načinu rada Neprekidno ili Pritisni za očitavanje ili dulje od 24 sata u načinu rada Interval s intervalima od 5 minuta i mjeračem vremena za isključivanje ≤ 15 minuta)
Zahtjevi napajanja (vanjski)	Klasa II, USB adapter: 100 – 240 VAC, ulaz 50/60 Hz; 5 VDC na izlazu USB adaptera napajanja od 2 A
Klasa zaštite mjerača	IEC klasa III (SELV napajanje (Odvojeni / Sigurnosni ekstra-niski napon)); USB adapter napajanja je IEC klase II (dvostruko izoliran)
Radna temperatura	od 0 do 60 °C (od 32 do 140 °F)
Temperatura punjenja	od 10 do 40 °C (od 50 do 104 °F)
Vlaga pri radu	90 % (bez kondenzacije)
Temperatura za pohranu	od –20 do 60 °C (od –4 do 140 °F) 90 % relativne vlažnosti (bez kondenzacije)
Priključak sonde	5-pinski M12 priključak za sonde Intellical
Mikro USB priključak	Mikro USB priključak omogućuje povezivanje USB kabela i USB adaptera napajanja.
Dnevnik podataka (interni)	Seriya HQ1000: 5000 podatkovnih točaka; seriya HQ2000: 10.000 podatkovnih točaka; seriya HQ4000: 100.000 podatkovnih točaka

¹ pH/mV/ORP sonde uključuju temperaturu

² LDO/LBOD sonde uključuju temperaturu

³ Sonde za vodljivost uključuju salinitet, TDS (ukupno otopljene krute tvari), otpornost, temperaturu

⁴ Ion-selektivne sonde za amonijak, nitrate, klor, fluoride, natrij

Specifikacije	Pojedinosti
Pohrana podataka	Automatska pohrana u načinu rada Pritisni za očitavanje i Interval. Ručna pohrana u načinu rada Neprekidno.
Izvoz podataka	USB veza za računalo ili USB memoriju (ograničeno kapacitetom uređaja za pohranu)
Korekcija temperature	Isključeno, automatski i ručno (specifično za određeni parametar)
Certifikati	CE, UKCA, FCC, ISED, RCM, KC, ETL Provjereno: US DOE/ NRCan Energy Efficiency, RoHS
Jamstvo	Serijska HQ1000 i HQ2000: 1 godina (SAD), 2 godine (EU); serijska HQ4000: 3 godine (SAD), 3 godine (EU)

Odjeljak 4 Opći podaci

Proizvođač ni u kojem slučaju neće biti odgovoran za štetu koja proizlazi iz neispravne uporabe proizvoda ili nepridržavanja uputa u priručniku. Proizvođač zadržava pravo na izmjene u ovom priručniku te na opise proizvoda u bilo kojem trenutku, bez prethodne najave ili obaveze. Revizije priručnika mogu se pronaći na web-stranici proizvođača.

4.1 Sigurnosne informacije

Proizvođač nije odgovoran za štetu nastalu nepravilnom primjenom ili nepravilnom upotrebom ovog proizvoda, uključujući, bez ograničenja, izravnu, slučajnu i posljedičnu štetu, te se odriče odgovornosti za takvu štetu u punom opsegu, dopuštenom prema primjenjivim zakonima. Korisnik ima isključivu odgovornost za utvrđivanje kritičnih rizika primjene i za postavljanje odgovarajućih mehanizama za zaštitu postupaka tijekom mogućeg kvara opreme.

Prije raspakiranja, postavljanja ili korištenja opreme pročitajte cijeli ovaj korisnički priručnik. Poštujte sva upozorenja na opasnost i oprez. Nepoštivanje ove upute može dovesti do tjelesnih ozljeda operatera ili oštećenja na opremi.

Uvjerite se da zaštita koja se nalazi uz ovu opremu nije oštećena. Ne koristite i ne instalirajte ovu opremu na bilo koji način koji nije naveden u ovom priručniku.

4.2 Korištenje informacija opasnosti

▲ OPASNOST

Označava potencijalno ili neposredno opasnu situaciju koja će, ako se ne izbjegne, dovesti do smrti ili ozbiljnih ozljeda.

▲ UPOZORENJE

Označava potencijalno ili neposredno opasnu situaciju koja će, ako se ne izbjegne, dovesti do smrti ili ozbiljnih ozljeda.

▲ OPREZ

Označava potencijalno opasnu situaciju koja će dovesti do manjih ili umjerenih ozljeda.

OBAVIJEST

Označava situaciju koja, ako se ne izbjegne će dovesti do oštećenja instrumenta. Informacije koje je potrebno posebno istaknuti.

4.3 Oznake mjera predostrožnosti

Pročitajte sve naljepnice i oznake na instrumentu. Ako se ne poštuju, može doći do tjelesnih ozljeda ili oštećenja instrumenta. Simbol na instrumentu odgovara simbolu u priručniku uz navod o mjerama predostrožnosti.

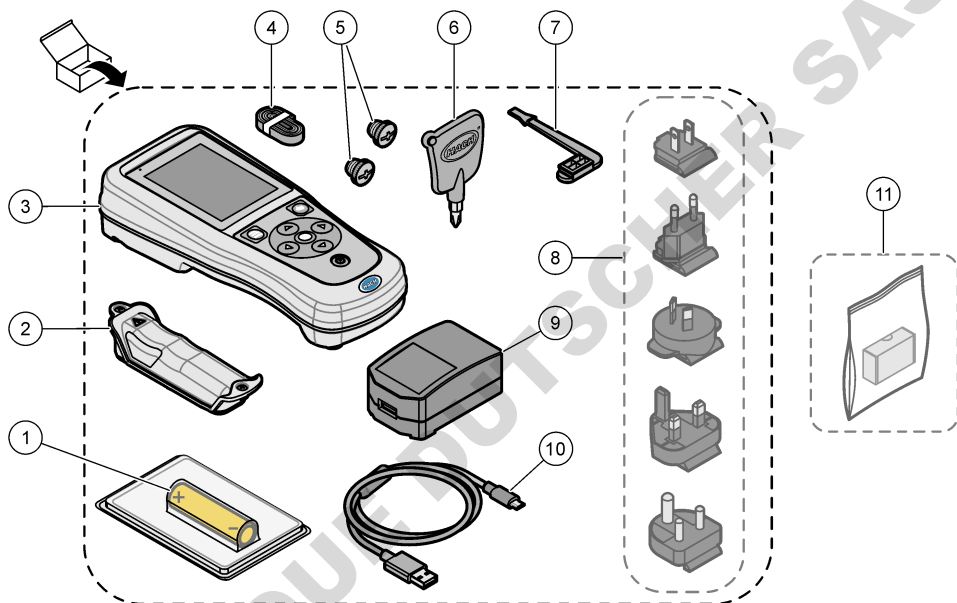


Električna oprema označena ovim simbolom ne smije se odlagati u europskim domaćim ili javnim odlagalištima. Staru ili isteklu opremu vratite proizvođaču koji će je odložiti bez naknade.

4.4 Komponente proizvoda

Provjerite jeste li dobili sve komponente. Pročitajte [Slika 2](#). Ako neki od ovih elemenata nedostaje ili je oštećen, odmah se obratite proizvođaču ili prodajnom predstavniku.

Slika 2 Komponente proizvoda



1 Punjiva litij-ionska baterija	7 Čep za USB priključak
2 Pretinac baterije	8 Izborni utikači za napajanje
3 Mjerač	9 USB adapter napajanja
4 Ručna vezica	10 USB kabel, vrsta A na mikro, 1 m (3,3 ft)
5 Čepovi za priključke sonde	11 Izborni Komunikacijski ključić tvrtke Hach (HCD)
6 Odvijač (br. 1 Phillips)	

4.5 Certifikati

Kanadska odredba o opremi koja uzrokuje smetnje, ICES-003, klasa A:

Izvjешća s testiranja nalaze se kod proizvođača.

Ovo digitalno pomagalo klase B udovoljava svim zahtjevima Kanadskog zakona o opremi koja uzrokuje smetnje.

Cet appareil numérique de classe B répond à toutes les exigences de la réglementation canadienne sur les équipements provoquant des interférences.

FCC dio 15, ograničenja klase "B"

Izvjешća s testiranja nalaze se kod proizvođača. Uređaj je sukladan s dijelom 15 FCC pravila. Rad uređaja mora ispunjavati sljedeće uvjete:

1. Oprema ne smije uzrokovati štetne smetnje.
2. Oprema mora prihvatiti svaku primljenu smetnju, uključujući smetnju koja može uzrokovati neželjen rad.

Zbog promjena ili prilagodbi ovog uređaja koje nije odobrila stranka nadležna za sukladnost korisnik bi mogao izgubiti pravo korištenja opreme. Ova je oprema testirana i u sukladnosti je s ograničenjima za digitalne uređaje klase B, koja su u skladu s dijelom 15 FCC pravila. Ta ograničenja su osmišljena da bi se zajamčila razmjerna zaštita od štetnih smetnji kada se oprema koristi u poslovnom okruženju. Ova oprema proizvodi, koristi i odašilje energiju radio frekvencije, te može prouzročiti smetnje u radio komunikaciji ako se ne instalira i koristi prema korisničkom priručniku. Koristite li ovu opremu u naseljenim područjima ona može prouzročiti smetnje, a korisnik će sam snositi odgovornost uklanjanja smetnji o vlastitom trošku. Sljedeće tehnike mogu se koristiti kao bi se smanjili problemi uzrokovani smetnjama:

1. Odmaknite opremu od uređaja kod kojeg se javljaju smetnje.
2. Promijenite položaj antene uređaja kod kojeg se javljaju smetnje.
3. Isprobajte kombinacije gore navedenih rješenja.

4.6 Komunikacijski ključić tvrtke Hach (HCD, izborno)

Izborni Komunikacijski ključić tvrtke Hach upotrebljava Bluetooth^{®5} Low Energy za komunikaciju sa značajkom Claros. Slijedite sve upute proizvođača i upozorenja za instaliranje uređaja i njegov rad. Upute potražite u dokumentaciji isporučenoj uz HCD.

4.7 Namjena

▲ OPREZ



Opasnost od izlaganja kemikalijama. Poštujte laboratorijske sigurnosne propise i opremite se svom odgovarajućom osobnom zaštitnom opremom s obzirom na kemikalije kojima ćete rukovati. Sigurnosne protokole potražite na trenutno važećim sigurnosno tehničkim listovima materijala (MSDS/SDS).

Prijenosni mjerači serije HQ namijenjeni su osobama koje mjere parametre kakvoće vode u laboratoriju ili na terenu. Mjerači serije HQ ne obrađuju i ne mijenjaju vodu.

Odjeljak 5 Instalacija

▲ OPASNOST



Višestruka opasnost. Zadatke opisane u ovom odjeljku priručnika treba obavljati isključivo kvalificirano osoblje.

5.1 Sigurnost litijske baterije

▲ UPOZORENJE



Opasnost od požara i eksplozije. Litijske baterije mogle bi se zagrijati, zapaliti ili eksplodirati i uzrokovati ozbiljne povrede ako ih izložite nepovoljnim uvjetima.

- Ne koristite bateriju ako je vidljivo oštećena.
- Ne koristite bateriju nakon jakog udarca ili vibracije.

⁵ Oznaka i logotipovi Bluetooth[®] registrirani su zaštitni znakovi u vlasništvu tvrtke Bluetooth SIG, Inc. i svaka njihova upotreba od strane tvrtke HACH je pod licencijom.

- Ne izlažite bateriju vatri ili paljenju.
- Držite bateriju na temperaturama ispod 70 °C (158 °F).
- Držite bateriju na suhom i podalje od vode.
- Sprječite kontakt između pozitivnih i negativnih terminala baterije.
- Neovlaštene osobe ne smiju dirati bateriju.
- Bateriju odložite u skladu s lokalnom, regionalnom i nacionalnom regulativom.
- Nemojte koristiti ili spremati instrument na izravno sunčevo svjetlo, pored izvora topline ili u okruženju visokih temperatura, poput zatvorenih vozila na izravnom sunčevom svjetlu.

5.2 Umetanje baterije

⚠ UPOZORENJE



Opasnost od požara i eksplozije. Ova oprema sadrži snažnu litijsku bateriju koja se može zapaliti i uzrokovati požar ili eksploziju čak i kad nije u funkciji. Kako biste održali razinu sigurnosti koju pruža kućište instrumenta, poklopci kućišta instrumenta moraju se postaviti i učvrstiti pomoću isporučenog alata.

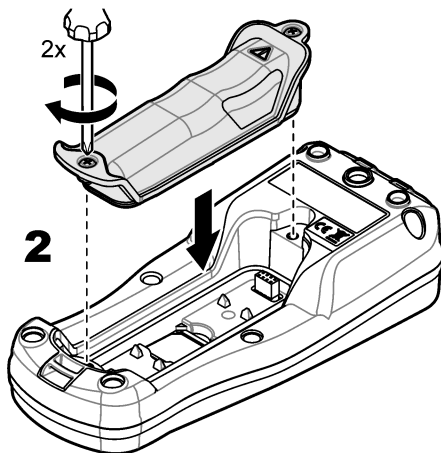
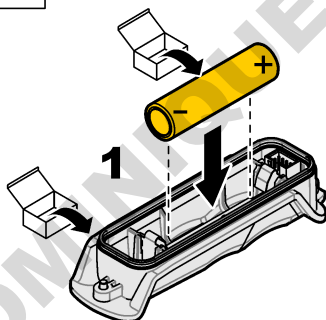
⚠ UPOZORENJE



Opasnost od požara i eksplozije. Nije dopuštena zamjena baterija. Koristite isključivo dijelove dostavljene od strane proizvođača instrumenta.

Upotrebljavajte samo punjivu litij-ionsku bateriju koju isporučuje proizvođač. [Slika 3](#) prikazuje umetanje i vađenje baterije.

Slika 3 Umetanje i vađenje baterije



5.3 Promjena baterije

⚠ OPASNOST



Opasnost od strujnog udara. Ako se ova oprema koristi na otvorenom ili na potencijalno mokrim lokacijama, za priključivanje uređaja na napajanje mora se koristiti zemljospojni prekidač.

⚠ UPOZORENJE



Opasnost od požara. Koristite samo vanjsko napajanje odobreno za ovaj instrument.

⚠ UPOZORENJE



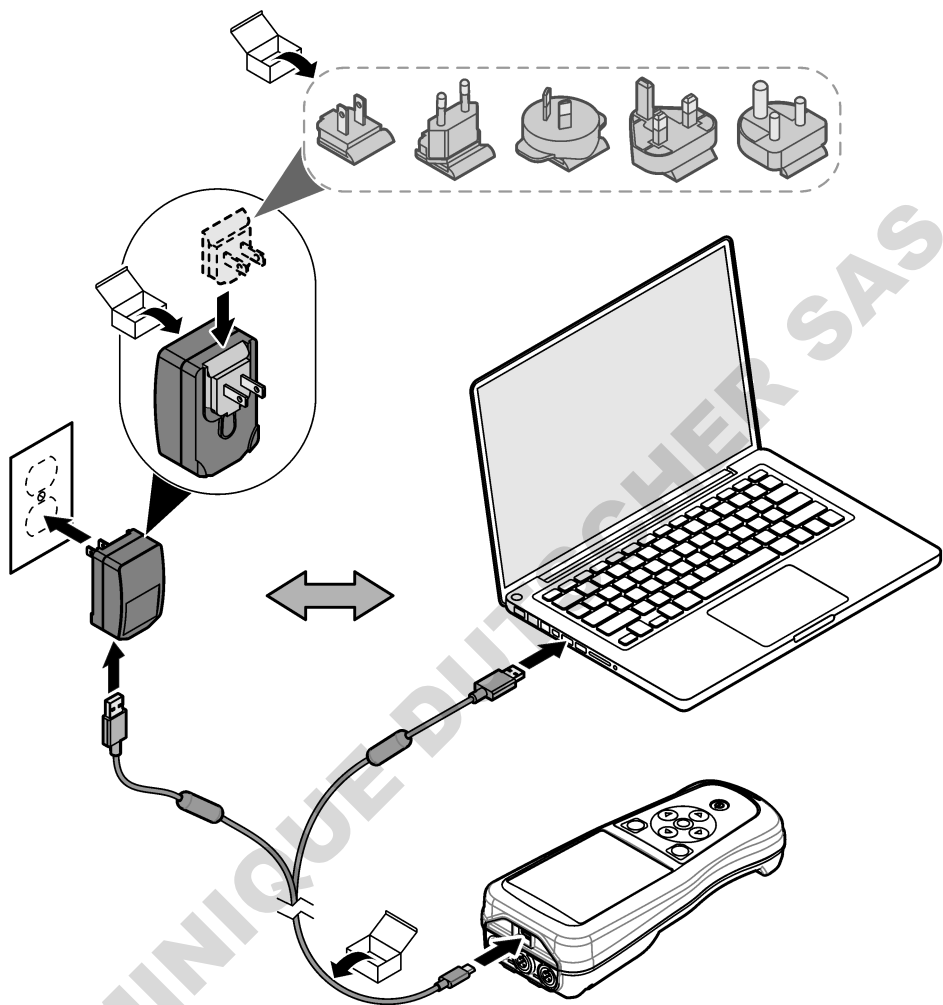
Opasnost od strujnog udara. Vanjska priključena oprema mora imati primjenjive standardne ocjene za sigurnost.

OBAVIJEST

Uvijek ugradite čep za USB priključak kad priključak nije u uporabi kako bi priključak ostao čist i kako biste spriječili koroziju. Nemojte puniti bateriju ako je USB priključak vlažan, prljav ili ako je prisutna korozija. Pogledajte [Ugradnja čepova priključaka za USB i sondu](#) na stranici 410.

Za punjenje baterije upotrijebite isporučeni USB kabel i USB adapter napajanja ili računalo. Pogledajte [Slika 4](#). Kad se instrument priključi na napajanje i pritisne tipka za uključivanje/isključivanje, svijetli zeleni LED indikator. Korisnik može upravljati instrumentom dok se baterija puni. Prazna baterija potpuno je napunjena nakon otprilike 5 sati ako se upotrebljava USB adapter napajanja i instrument je isključen. Pobrinite se da je čep USB priključka ugrađen kad USB priključak nije u uporabi. Pogledajte [Ugradnja čepova priključaka za USB i sondu](#) na stranici 410.

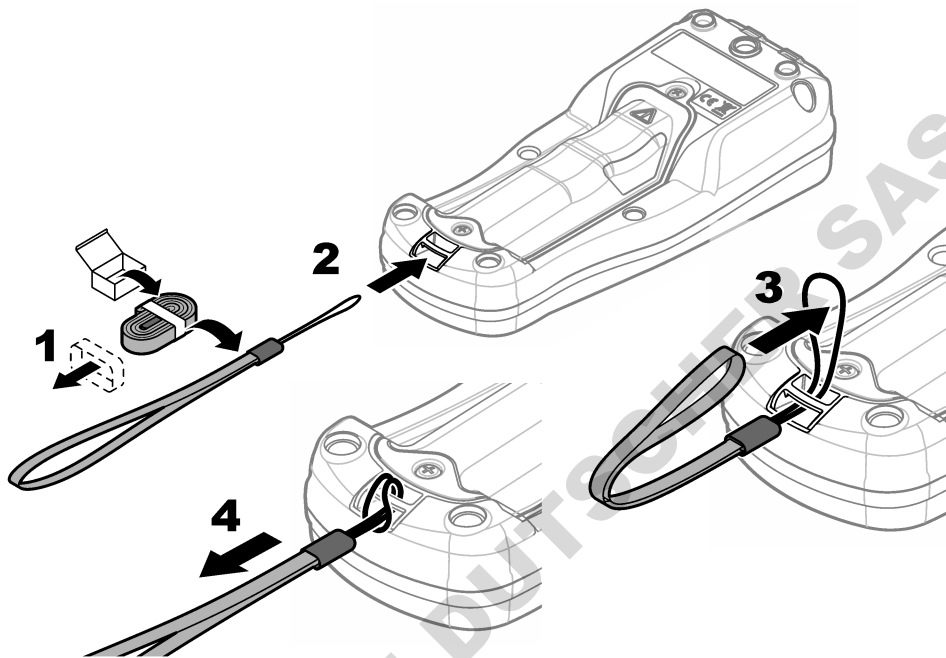
Slika 4 Priključite na USB adapter napajanja ili računalo



5.4 Postavljanje vezice

Postavite vezicu kako biste mogli sigurno držati mjerač. Pogledajte [Slika 5](#).

Slika 5 Postavljanje vezice

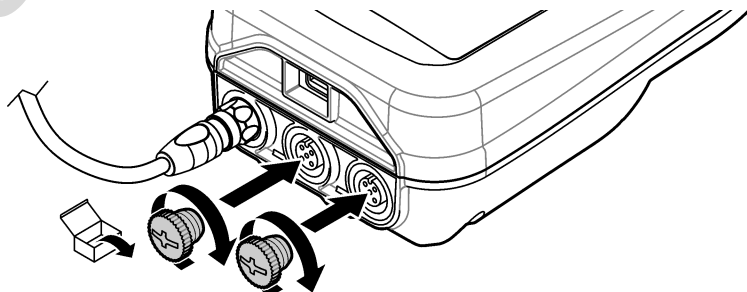


5.5 Ugradnja čepova priključaka za USB i sondu

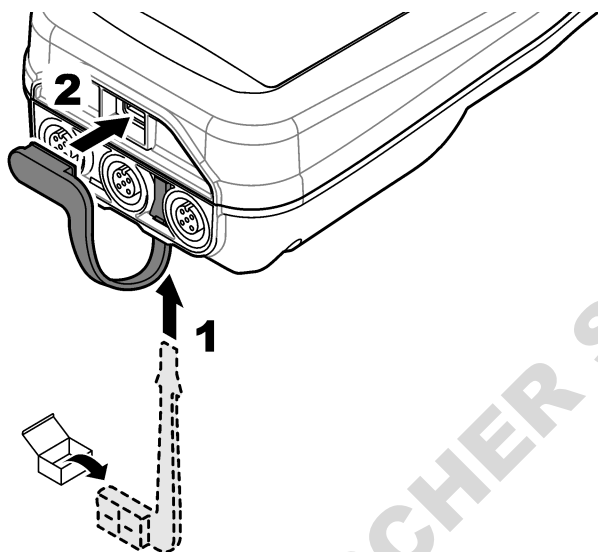
Pobrinite se da su čepovi ugrađeni za priključke za USB i sondu kad priključci nisu u uporabi kako bi ostali čisti i kako biste spriječili koroziju. Čepovi za priključak moraju se ugraditi u prazne priključke kako bi se sačuvala klasa kućišta instrumenta. Pogledajte [Slika 6](#) i [Slika 7](#).

Napomena: [Slika 6](#) prikazuje mjerač s tri priključka za sonde. Neki modeli mjerača imaju samo jedan ili dva priključka za sonde.

Slika 6 Ugradnja čepa za priključak




Slika 7 Ugradnja čepa za USB priključak



Odjeljak 6 Pokretanje

6.1 Uključivanje mjerača

Pritisnite  kako biste uključili mjerač. Ako se mjerač ne uključuje, provjerite je li baterija pravilno postavljena ili je li mjerač spojen na izvor napajanja. Pogledajte [Promjena baterije](#) na stranici 408.

6.2 Odabir jezika

Kada se mjerač prvi put uključi ili kada je ugrađena nova baterija, na zaslonu se prikazuje zaslon za odabir jezika. Odaberite odgovarajući jezik. Korisnik također može promijeniti jezik u izborniku Postavke.

6.3 Postavite datum i vrijeme

Kada se mjerač prvi put uključi ili kada je ugrađena nova baterija, na zaslonu se prikazuje zaslon Datum/Vrijeme. Izvršite sljedeće korake za postavljanje datuma i vremena.

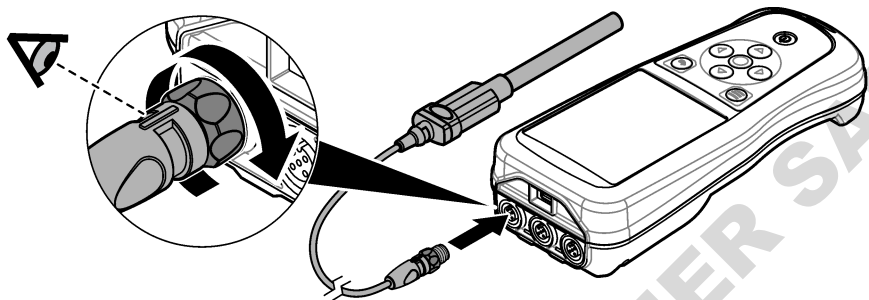
Napomena: Korisnik također može promijeniti datum i vrijeme u izborniku Postavke.

1. Pritisnite tipke sa strelicama gore i dolje za odabir formata datuma.
2. Pritisnite desnu strelicu za prijelaz na datum i vrijeme.
3. Pritisnite tipke sa strelicama gore i dolje za izmjenu datuma i vremena.
4. Pritisnite desnu strelicu kako biste označili Spremi.
5. Odaberite Spremi za zadržavanje postavki.

6.4 Priključite sondu

Prije priključivanja sonde obavezno podesite vrijeme i datum na mjerачu. Vremenska oznaka za sondu postavit će se nakon što sondu prvi put priključite na mjerач. Vremenska oznaka automatski bilježi prethodne radnje sonde i vrijeme izvršavanja mjerenja. [Slika 8](#) prikazuje kako priključiti sondu na mjerач.

Slika 8 Priključite sondu na mjerач



Odjeljak 7 Korisničko sučelje i navigacija

Nakon pokretanja na zaslonu se prikazuje početni zaslon. Pogledajte [Početni zaslon](#) na stranici 412. S pomoću tipkovnice odaberite dostupne opcije i promijenite vrijednosti. Pogledajte [Tipkovnica](#) na stranici 414. S pomoću glavnog izbornika idite na postavke i ostale izbornike. Pogledajte [Glavni izbornik](#) na stranici 415.

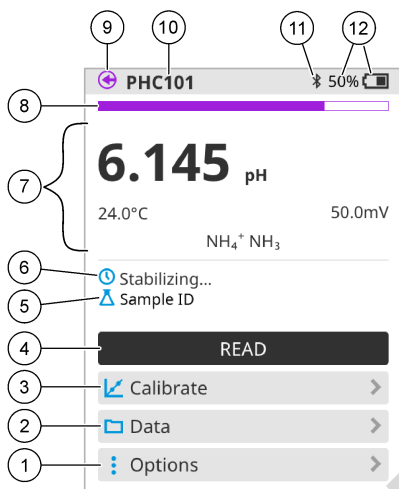
7.1 Početni zaslon

Na zaslonu se prikazuje početni zaslon kada je mjerач uključen i ako je sonda povezana s mjerачem. Pogledajte [Slika 9](#). Modeli HQ4100, HQ4200 i HQ4300 imaju zaslone u boji. Za modele s dva ili tri priključka za sonde, na zaslonu se prikazuju sve povezane sonde. Pogledajte [Slika 10](#).

Zadaci koji slijede dostupni su na početnom zaslonu:

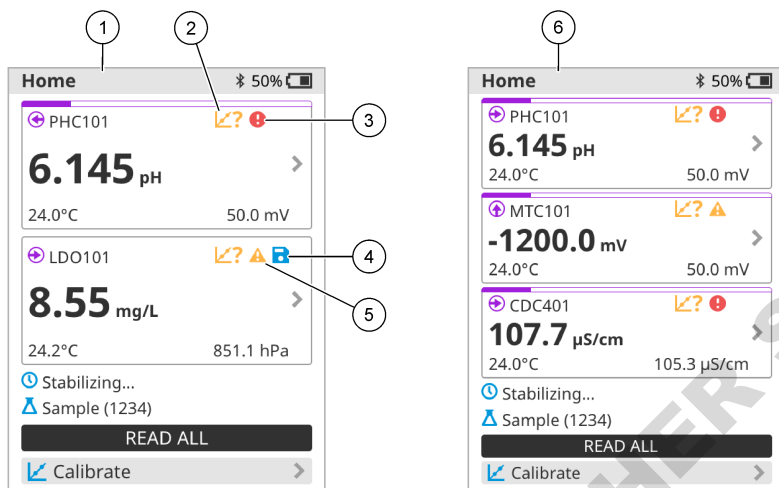
- Mjerenje uzoraka
- Kalibriranje sonde
- Provjera kalibracije
- Postavljanje ID-a uzorka (identifikacija)
- Prikaz i upravljanje podacima
- Pročitajte detaljne upute

Slika 9 Primjer početnog zaslona—jedna sonda



1	Izbornik Opcije: nudi pristup uputama i drugim izbornicima	7	Odjeljak vrijednosti mjerenja: prikazuje se izmjerena vrijednost, temperatura i jedinice
2	Izbornik Podaci: nudi pristup prikazu i upravljanju podacima	8	Indikator statusa stabilnosti mjerenja: prikazuje se status mjerenja
3	Gumb Kalibriranje: započinje kalibraciju	9	Priključak za sondu Intellical: pokazuje se lokacija priključka povezane sonde
4	Gumb Očitavanje: očitava se vrijednost uzorka ili standardne otopine	10	Naziv sonde Intellical: pokazuje se naziv modela povezane sonde
5	ID uzorka: prikazuje se naziv uzorka koji se mjeri	11	Ikona Bluetooth® (ako je instaliran Komunikacijski ključić tvrtke Hach): prikazuje se kad je aktivna povezanost putem bluetootha
6	Područje poruke: prikazuje se status mjerenja, ID uzorka, pogreške i upozorenja	12	Indikator napunjenosti baterije: prikazuje se postotak napunjenosti baterije

Slika 10 Primjer početnog zaslona—dvije ili tri sonde

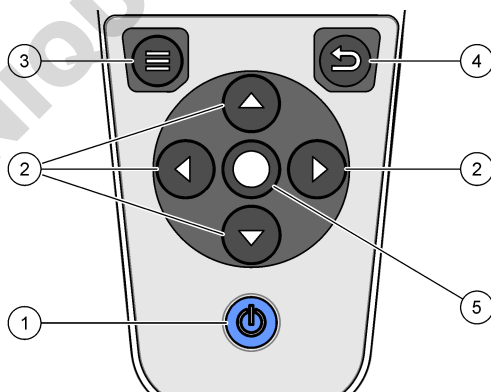


1 Početni zaslon s dvije sonde	4 Ikona spremanja: podaci mjerenja nalaze se u dnevniku podataka
2 Ikona kalibracije: označava da kalibracija nije prihvaćena ili je istekla	5 Ikona upozorenja (pogledajte Rješavanje problema na stranici 419)
3 Ikona pogreške (pogledajte Rješavanje problema na stranici 419)	6 Početni zaslon s tri sonde

7.2 Tipkovnica

Slika 11 prikazuje opis tipkovnice.

Slika 11 Opis tipkovnice

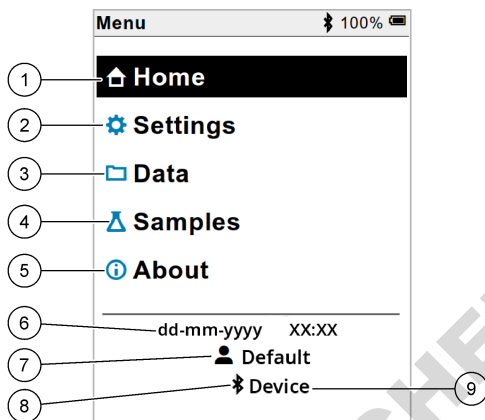


1 Tipka za uključivanje/isključivanje	4 Tipka za natrag
2 Navigacijske strelice	5 Tipka za odabir
3 Tipka Izbornika	

7.3 Glavni izbornik

Pritisnite  za odlazak u glavni izbornik. Pogledajte [Slika 12](#).

Slika 12 Opis glavnog izbornika



1 Početak	4 Izbornik ID-a uzorka	7 Korisnički ID
2 Izbornik Postavke	5 Zaslون O mjeracu	8 Ikona Bluetooth® (ako je instaliran HCD)
3 Izbornik Podaci	6 Datum i vrijeme	9 ID Bluetooth® uređaja (ako je instaliran HCD)

Odjeljak 8 Rad

Ovaj odjeljak nudi opće upute za upotrebu mjeraca. Potpune upute pogledajte na zaslonu mjeraca ili u korisničkom priručniku za sondu.

8.1 Mjerenje uzoraka


Koraci koji slijede opći su koraci za mjerenje uzoraka mjeracem.

1. Odaberite način mjerenja. Pogledajte [Postavke brojila](#) na stranici 417.
2. Pripremite uzorak za mjerenje. Pogledajte upute na zaslonu mjeraca ili u korisničkom priručniku za sondu.
3. Izmjerite uzorak na sljedeći način:
 - **Način rada Pritisni za očitavanje:** odaberite Očitavanje (ili Očitaj sve) za mjerenje vrijednosti uzorka. Mjerač automatski sprema vrijednost.
 - **Način rada Interval:** odaberite Pokreni (ili Pokreni sve) za početak mjerenja. Mjerač automatski mjeri i sprema vrijednost uzorka u navedenim vremenskim intervalima. Za zaustavljanje mjerenja odaberite Zaustavi (ili Zaustavi sve).
 - **Način rada Neprekidno:** mjerac neprekidno mjeri vrijednost uzorka. Odaberite Spremi (ili Spremi sve) da biste spremili vrijednost koja se prikazuje na zaslonu.

Nakon svakog mjerenja na zaslonu se prikazuje rezultat. Ikona spremanja prikazuje se na zaslonu ako se rezultat pohrani u dnevnik podataka.

8.2 Kalibriranje sonde


Koraci koji slijede opći su koraci za kalibraciju sonde mjerачem. Za promjenu postavki kalibracije pogledajte [Postavke sonde](#) na stranici 418.

1. Na početnom zaslonu odaberite  Kalibriranje. Ako je priključeno više sondi, odaberite sondu za kalibraciju. Na zaslonu su prikazane otopine koje će se upotrijebiti za kalibraciju.
2. Pripremite puferne ili standardne otopine za kalibraciju. Pogledajte upute na zaslonu mjerачa ili u korisničkom priručniku za sondu.
3. Odaberite Očitanje za početak kalibracije. Mjerач mjeri vrijednost otopine za kalibraciju. Kad se mjerenje završi, na zaslonu se prikazuje rezultat.
4. Odaberite Očitanje za mjerenje vrijednosti ostalih pufera ili standardnih otopina, ako je primjenjivo. Odaberite Spremi za spremanje kalibracije.

Napomena: Ako kalibracija nije prihvaćena, pogledajte upute za rješavanje problema na zaslonu mjerачa ili u korisničkom priručniku za sondu.

8.3 Provjera kalibracije


Koraci koji slijede opći su koraci za provjeru kalibracije sonde mjerачem. Za promjenu postavki provjere pogledajte [Postavke sonde](#) na stranici 418.

1. Na početnom zaslonu odaberite Opcije > Provjeri kalibraciju. Na zaslonu se prikazuje pufer ili standardna otopina koja se upotrebljava za provjeru.
2. Pripremite pufer ili standardnu otopinu za provjeru. Pogledajte upute na zaslonu mjerачa ili u korisničkom priručniku za sondu.
3. Odaberite Očitanje za početak provjere. Mjerач mjeri vrijednost otopine za provjeru. Kad se mjerenje završi, na zaslonu se prikazuje rezultat.
4. Ako je provjera uspješna , odaberite Spremi za spremanje rezultata.

Napomena: Ako provjera nije prihvaćena, pogledajte upute za rješavanje problema na zaslonu mjerачa ili u korisničkom priručniku za sondu.

8.4 Uključivanje ID-a uzorka s podacima mjerenja


Instrument može spremiti naziv uzorka (ID) s pohranjenim podacima mjerenja. U instrument unesite više naziva uzoraka, a zatim odaberite odgovarajući naziv uzorka prije mjerenja uzoraka. Instrument dodaje brojeve uzorcima s istim nazivom, npr. „Naziv uzorka (2)“.

1. Pritisnite  i odaberite Uzorci.
2. Odaberite opciju.

Opcija	Opis
Uzorak	Odabire se naziv uzorka za spremanje uz mjerenja uzorka.
Stvori novi uzorak	Otvora se zaslon za dodavanje novih naziva uzoraka. Nazivi uzoraka mogu sadržavati slova i brojeve.
Izbriši uzorke	Uklanjanju se nazivi uzoraka.

8.5 Uključivanje ID-a korisnika s pohranjenim podacima

Instrument može zabilježiti korisničko ime (ID) s pohranjenim podacima. U instrument unesite više korisničkih imena, a zatim odaberite odgovarajuće korisničko ime prije pokretanja kalibracija ili mjerenja.


1. Pritisnite  i odaberite Postavke. Prikazuje se popis postavki.
2. Odaberite Korisnici.
3. Odaberite opciju.

Opcija	Opis
Korisnik	Odabire se korisničko ime. Odabrano korisničko ime prikazuje se na zaslonu glavnog izbornika i sprema se s pohranjenim podacima.
Stvori novog korisnik	Otvara se zaslon za dodavanje novih korisničkih imena. Korisnička imena mogu sadržavati slova i brojeve.
Izбриši korisnike	Uklanjaju se korisnička imena.

Odjeljak 9 Postavke brojila

Izvršite sljedeće korake za promjenu općih postavki brojila.

Napomena: Zaštita lozinkom može spriječiti pristup nekim izbornicima. Informacije o kontroli pristupa potražite u mrežnom korisničkom priručniku.


1. Pritisnite  i odaberite Postavke. Prikazuje se popis postavki.
2. Odaberite opciju.

Opcija	Opis
[Ime sonde]	Mijenja postavke specifične za sondu za mjerenja, umjeravanje i provjeru. Pogledajte Postavke sonde na stranici 418 za promjenu postavki za sondu.
Način mjerenja	Postavlja se kada započne mjerenje. Opcije: Pritisni za očitavanje, Neprekidno ili Interval. Pritisni za očitavanje: Uzorak se mjeri samo kad se pritisne Očitavanje. Podaci se automatski pohranjuju u dnevnik podataka kada su ispunjeni kriteriji stabilnosti. Interval: Uzorak se mjeri u pravilnim intervalima za određeno trajanje. Podaci se automatski pohranjuju u dnevnik podataka. Neprekidno: Brojilo kontinuirano mjeri vrijednost uzorka. Podaci se spremaju u dnevnik podataka samo kad korisnik odabere Spremi.
Temperatura	Postavlja jedinice temperature na ° C ili ° F.
Zaslon	Promijeni postavke zaslona. Opcije: Svjetlina, Pozadinsko osvjetljenje i Isključivanje. Svjetlina: Mijenja intenzitet pozadinskog osvjetljenja. Opcije: 10 do 100 % (zadano: 50 %). Pozadinsko osvjetljenje: Postavlja pozadinsko osvjetljenje kad se mjeri ili kad se mjeri određeno vrijeme. Opcije: 15 sekundi, 30 sekundi, 1 minuta, 5 minuta ili Nikad. Isključivanje: Isključuje brojilo kad se mjeri ili kad se mjeri određeno vrijeme. Opcije: 1 minuta, 2 minute, 5 minuta, 10 minuta, 30 minuta, 1 sat, 2 sata ili Nikad.
Zvuk	Postavlja mjeri ili kad se mjeri određeno vrijeme. Opcije: Pritisnuta tipka, Upozorenje o stabilnosti, Podsjetnik, Greška/upozorenje ili (baterija) Punjenje završeno ,
Korisnici	Bira korisnika, dodaje novog ili briše korisnika.
Datum-vrijeme	Postavlja datum / vrijeme format, datum i vrijeme u mjeri.
Jezik	Postavlja jezik mjeri.
Pristup	Postavlja lozinku radi sprečavanja pristupa postavkama sonde, nekim postavkama brojila (način mjerenja, temperatura, jezik) i ažuriranjima softvera. Korisnik bez zaporke ne može izbrisati postavke ili podatke kada je kontrola pristupa uključena.
Dijagnostika	Izrađuje dijagnostičku datoteku za tehničku podršku ili uslugu ako dođe do tehničkog problema. Korisnik mora spojiti brojilo s računalom kako bi dobio datoteku.

Odjeljak 10 Postavke sonde

Kad se sonda priključi na mjerlač, korisnik može promijeniti postavke sonde za mjerenja, kalibracije i provjere. Pogledajte korake koji slijede za pristup postavkama priključenje sonde. Potpuni opis postavki potražite u mrežnom korisničkom priručniku za mjerlač.

Napomena: Zaštita lozinkom može spriječiti pristup nekim izbornicima. Informacije o sigurnosnim postavkama potražite u mrežnom korisničkom priručniku.


1. Pritisnite  i odaberite Postavke. Prikazuje se popis postavki.
2. Odaberite naziv sonde.
3. Odaberite odgovarajuću opciju: Mjerenje, Kalibracija ili Provjera valjanosti.

Odjeljak 11 Upravljanje podacima

Mjerlač sprema podatke iz mjerenja uzoraka, kalibracija i provjera na sljedeći način:

- Mjerenje uzoraka—Mjerlač automatski sprema podatke za izmjerene uzorke kada je način mjerenja Pritisni za očitavanje ili Interval. Kada je način mjerenja Neprekidno, korisnik mora odabrati Spremi za spremanje podataka za izmjerene uzorke. Ikona za spremanje prikazuje se na početnom zaslonu kada su podaci za izmjerene uzorke u dnevniku podataka.
- Podaci o kalibraciji—Korisnik mora odabrati Spremi za spremanje podataka o kalibraciji. Podaci o kalibraciji spremaju se u mjerlaču i u sondi Intellical.
- Podaci o provjeri—Korisnik mora odabrati Spremi za spremanje podataka o provjeri.

Dovršite korake koji slijede za prikaz, izvoz ili brisanje podataka.

1. Pritisnite  i odaberite Podaci ili odaberite Podaci na početnom zaslonu.
2. Odaberite opciju.

Opcija	Opis
Prikaz podataka	<p>Prikazuju se podaci u dnevniku podataka. Prvi se prikazuju najnoviji podaci. Pritisnite strelicu prema dolje da biste vidjeli više podataka. Ikona kalibracije prikazuje se kada su vrsta podataka podaci o kalibraciji. Ikona provjere prikazuje se kada su vrsta podataka podaci o provjeri.</p> <p>Da biste vidjeli više pojedinosti o podatkovnoj točki, odaberite podatkovni redak i pritisnite desnu strelicu. Da biste primijenili filter i prikazali samo filtrirane podatke, pritisnite lijevu strelicu i odaberite parametar, vrstu podataka ili raspon datuma.</p>
Izvoz podataka	<p>Šalje se kopija svih podataka u dnevniku podataka na povezano računalo ili USB uređaj za pohranu. Za povezivanje instrumenta s računalom pogledajte Slika 4 na stranici 409. Za povezivanje instrumenta na standardni USB uređaj za pohranu upotrijebite adapter mikro USB na USB vrste A. Ili upotrijebite USB uređaj za pohranu koji ima mikro USB priključak.</p> <p>Kad se instrument poveže s računalom, otvara se prozor Preglednika za datoteke na pogonu s nazivom „HQ-Series”. Proširite prikaz pogona i potražite podmapu s nazivom mjerlača i serijskim brojem. Datoteka podataka prikazuje se kao .csv datoteka s datumom i vremenom kao nazivom datoteke. Spremite .csv datoteku na lokaciju na računalo.</p> <p>Napomena: Ako se prozor Preglednika za datoteke ne otvori automatski, otvorite prozor Preglednika za datoteke i potražite pogon s nazivom „HQ-Series”.</p>
Povijest kalibracije	<p>Prikazuju se trenutačni i prethodni podaci o kalibraciji za priključenu sondu.</p>
Brisanje podataka	<p>Brišu se svi podaci iz dnevnika podataka. Zaštita lozinkom može spriječiti pristup opciji brisanja podataka.</p>

Odjeljak 12 Održavanje

▲ OPREZ



Višestruka opasnost. Zadatke opisane u ovom odjeljku priručnika treba obavljati isključivo kvalificirano osoblje.

12.1 Čišćenje instrumenta

Očistite vanjski dio instrumenta vlažnom krpom i otopinom blagog sapuna, a zatim krpom po potrebi osušite instrument.

12.2 Zamjena baterije

Zamijenite bateriju ako se baterija ne puni ili ne zadržava napunjenost. Upotrebjavajte samo onu bateriju i onaj punjač baterija koje ste dobili od proizvođača. Pogledajte [Umetanje baterije](#) na stranici 407.



12.3 Priprema za otpremu

Instrument sadrži litij-ionsku bateriju koja je regulirana kao opasan materijal i mora biti u skladu s propisima o opasnim tvarima za sve vrste prijevoza. Za slanje instrumenta na popravak ili održavanje pridržavajte se sljedećih postupaka:

- Iskopčajte sonde prije otpreme.
- Prije otpreme očistite i dekontaminirajte instrument.
- Za najbolju razinu sigurnosti izvadite litij-ionsku bateriju iz uređaja i nemojte slati bateriju. Ako bateriju morate poslati, ostavite ju ugrađenu u njenom kućištu, ali nemojte pričvrstiti kućište na instrument. Stavite kućište s ugrađenom baterijom u zasebno pakiranje kako biste spriječili kontakt s električno provodljivim materijalima (npr. metalima).
- Instrument otpremite u originalnoj ambalaži ili u alternativnoj zaštitnoj ambalaži.

Odjeljak 13 Rješavanje problema

13.1 Pogledajte upute za rješavanje problema na zaslonu

Korisničko sučelje ima upute za rješavanje problema radi uklanjanja problema koji se mogu javiti tijekom mjerenja, kalibracija i provjera. Kada se pojavi problem, na zaslonu se prikazuje ikona pogreške  ili upozorenja  s kratkim opisom problema. Pritisnite desnu strelicu da biste vidjeli preporučene postupke za uklanjanje problema.

Odjeljak 14 Zamjenski dijelovi

▲ UPOZORENJE



Opasnost od ozljede. Korištenje neodobrenih dijelova može uzrokovati osobne ozljede, oštećenje instrumenta ili neispravno funkcioniranje opreme. Proizvođač je odobrio upotrebu rezervnih dijelova navedenih u ovom odjeljku.

Napomena: Brojevi proizvoda i artikla mogu varirati za neke regije prodaje. Obratite se odgovarajućem distributeru ili pogledajte web stranicu tvrtke za kontaktne podatke.

Zamjenski dijelovi

Opis	Broj proizvoda
Baterija, litij-ionska, 18650, 3200 mAh, engleski jezik	LEZ015.99.00001
Baterija, litij-ionska, 18650, 3100 mAh, kineski jezik	LEZ015.80.00001

Zamjenski dijelovi (nastavak)

Opis	Broj proizvoda
Kabel, USB 2.0 utor vrste A na mikro utor vrste B, 0,91 m (3 ft)	LEZ015.99.00002
Kovčeg za teren za standardne sonde	LEZ015.99.A001A
Kovčeg za teren za čvrste sonde	LEZ015.99.A002A
Ručna vezica i čepovi za prašinu	LEZ015.99.A005A
Držač s trakom za ruku	LEZ015.99.A003A
Zaštitna rukavica	LEZ015.99.A004A
USB adapter napajanja, 5 VDC, 2 A, 100 – 240 VAC, SAD	LEZ015.99.00006
USB adapter napajanja, 5 VDC, 2 A, 100 – 240 VAC, EU + UK	LEZ015.99.00004
USB adapter napajanja, 5 VDC, 2 A, 100 – 240 VAC, Kina	LEZ015.99.00005
USB adapter napajanja, 5 VDC, 2 A, 100 – 240 VAC, ostatak svijeta (ROW)	LEZ015.99.00007

Πίνακας περιεχομένων

- | | |
|--|--|
| 1 Ηλεκτρονικό εγχειρίδιο χρήσης στη σελίδα 421 | 8 Λειτουργία στη σελίδα 434 |
| 2 Επισκόπηση προϊόντος στη σελίδα 421 | 9 Ρυθμίσεις μετρητή στη σελίδα 436 |
| 3 Προδιαγραφές στη σελίδα 422 | 10 Ρυθμίσεις αισθητήρα στη σελίδα 437 |
| 4 Γενικές πληροφορίες στη σελίδα 423 | 11 Διαχείριση δεδομένων στη σελίδα 437 |
| 5 Εγκατάσταση στη σελίδα 425 | 12 Συντήρηση στη σελίδα 438 |
| 6 Εκκίνηση στη σελίδα 430 | 13 Αντιμέτωπιση προβλημάτων στη σελίδα 439 |
| 7 Περιβάλλον εργασίας χρήστη και πλοήγηση στη σελίδα 431 | 14 Ανταλλακτικά στη σελίδα 439 |

Ενότητα 1 Ηλεκτρονικό εγχειρίδιο χρήσης

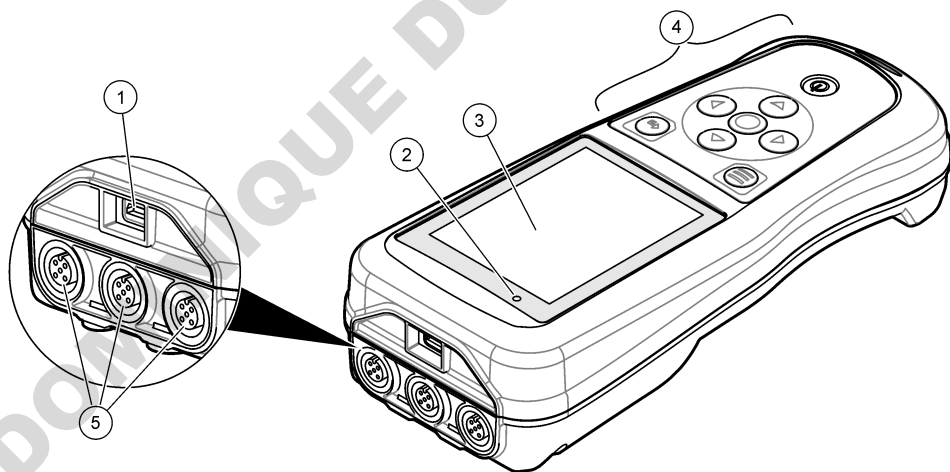
Το παρόν βασικό εγχειρίδιο χρήσης περιέχει λιγότερες πληροφορίες από το εγχειρίδιο χρήσης, το οποίο είναι διαθέσιμο στην ιστοσελίδα του κατασκευαστή.

Ενότητα 2 Επισκόπηση προϊόντος

Οι φορητοί μετρητές της σειράς HQ χρησιμοποιούνται με ψηφιακούς αισθητήρες Intellical για τη μέτρηση μίας ή περισσότερων παραμέτρων ποιότητας νερού. Βλ. [Εικόνα 1](#). Ο μετρητής αναγνωρίζει αυτόματα τον τύπο του αισθητήρα που είναι συνδεδεμένος. Ο μετρητής μπορεί να συνδεθεί σε υπολογιστή ή σε συσκευή αποθήκευσης USB για τη μεταφορά δεδομένων που είναι αποθηκευμένα στο μετρητή. Το προαιρετικό κλειδί υλικού επικοινωνίας Hach (HCD) συνδέει το μετρητή με το Clarios.

Οι φορητοί μετρητές της σειράς HQ διατίθενται σε οκτώ μοντέλα. Ο [Πίνακας 1](#) εμφανίζει τους τύπους αισθητήρων που μπορούν να συνδεθούν σε κάθε μοντέλο.

Εικόνα 1 Επισκόπηση προϊόντος



1 Υποδοχή micro-USB	4 Πληκτρολόγιο
2 Ενδεικτική λυχνία LED	5 Θύρες αισθητήρα Intellical (εμφανίζεται η επιλογή τριών θυρών αισθητήρα)
3 Οθόνη	

Πίνακας 1 Μοντέλα μετρητών σειράς HQ

Μοντέλο μετρητή	Υποδοχές αισθητήρα	Αισθητήρες pH/mV/ORP ¹ αισθητήρες θερμοκρασίας	Αισθητήρες LDO/LBOD ² αισθητήρες θερμοκρασίας	Αισθητήρες αγωγιμότητας ³ αισθητήρες θερμοκρασίας	Αισθητήρες ISE ⁴ νατρίου
HQ1110	1	✓			
HQ1130	1		✓		
HQ1140	1			✓	
HQ2100	1	✓	✓	✓	
HQ2200	2	✓	✓	✓	
HQ4100	1	✓	✓	✓	✓
HQ4200	2	✓	✓	✓	✓
HQ4300	3	✓	✓	✓	✓

Ενότητα 3 Προδιαγραφές

Οι προδιαγραφές ενδέχεται να αλλάζουν χωρίς προειδοποίηση.

Προδιαγραφή	Λεπτομέρειες
Διαστάσεις (Μ x Π x Υ)	22 x 9,7 x 6,3 cm (8,7 x 3,8 x 2,5 in.)
Βάρος	HQ1110, HQ1130, HQ1140 και HQ2100: 519 g (18,3 oz), HQ2200: 541 g (19,1 oz), HQ4100: 530 g (18,7 oz), HQ4200: 550 g (19,4 oz), HQ4300: 570 g (20,1 oz)
Κατάταξη περιβλήματος	IP67 με τοποθετημένο το διαμέρισμα μπαταρίας
Απαιτήσεις τροφοδοσίας (εσωτερική)	Επαναφορτιζόμενη μπαταρία ιόντων λιθίου 18650 (διάμετρος 18 mm x μήκος 65 mm, κυλινδρική), 3,7 VDC, 3200 mAh. Διάρκεια μπαταρίας: > 1 εβδομάδα με τυπική χρήση (10 ενδείξεις/ημέρα, 5 ημέρες/εβδομάδα σε Συνεχή λειτουργία ή σε λειτουργία "Μέτρηση με το πάτημα" ή > 24 ώρες σε λειτουργία "Διάσθημα" με διαστήματα των 5 λεπτών και χρονόμετρο τερματισμού λειτουργίας ≤ 15 λεπτά)
Απαιτήσεις τροφοδοσίας (εξωτερική)	Κατηγορία II, προσαρμογέας ρεύματος USB: 100–240 VAC, είσοδος 50/60 Hz, έξοδος προσαρμογέα ρεύματος USB 5 VDC στα 2 A
Κατηγορία προστασίας μετρητή	Κατηγορία III IEC (με τροφοδοσία SELV [Εξαιρετικά χαμηλή τάση διαχωρισμού/ασφαλείας]), ο προσαρμογέας ρεύματος USB είναι κατηγορίας II IEC (με διπλή μόνωση)
Θερμοκρασία λειτουργίας	0 έως 60 °C (32 έως 140 °F)
Θερμοκρασία φόρτισης	10 έως 40 °C (50 έως 104 °F)
Υγρασία λειτουργίας	90% (χωρίς συμπύκνωση)
Θερμοκρασία αποθήκευσης	–20 έως 60°C (–4 έως 140°F), σχετική υγρασία έως 90% το μέγιστο (χωρίς συμπύκνωση υδρατμών)
Υποδοχή αισθητήρα	Υποδοχή M12 5 ακίδων για αισθητήρες Intellical
Υποδοχή micro-USB	Η υποδοχή micro-USB επιτρέπει τη σύνδεση καλωδίου USB και προσαρμογέα ρεύματος USB.

¹ Οι αισθητήρες pH/mV/ORP περιλαμβάνουν

² Οι αισθητήρες LDO/LBOD περιλαμβάνουν

³ Οι αισθητήρες αγωγιμότητας περιλαμβάνουν μέτρηση αλατότητας, TDS (ολικών διαλελυμένων στερεών), ειδικής αντίστασης και

⁴ Ιοντεπλεκτικοί αισθητήρες όπως αμμωνίας, νιτρικών, χλωριούχων, φθοριούχων και

Προδιαγραφή	Λεπτομέρειες
Αρχείο καταγραφής δεδομένων	Σειρά HQ1000: 5.000 σημεία δεδομένων, σειρά HQ2000: 10.000 σημεία δεδομένων, σειρά HQ4000: 100.000 σημεία δεδομένων
Αποθήκευση δεδομένων	Αυτόματη αποθήκευση στις λειτουργίες "Μέτρηση με το πάτημα" και "Διάστημα". Μη αυτόματη αποθήκευση στη Συνεχή λειτουργία.
Εξαγωγή δεδομένων	Σύνδεση USB σε υπολογιστή ή συσκευή αποθήκευσης USB (περιορίζεται στη χωρητικότητα της συσκευής αποθήκευσης)
Διόρθωση θερμοκρασίας	Απενεργοποιημένη, αυτόματη και μη αυτόματη (ανάλογα με την παράμετρο)
Πιστοποιήσεις	CE, UKCA, FCC, ISED, RCM, KC, ETL Επαλήθευση: US DOE/ NRCan Energy Efficiency, RoHS
Εγγύηση	Σειρά HQ1000 και HQ2000: 1 έτος (ΗΠΑ), 2 έτη (ΕΕ), σειρά HQ4000: 3 έτη (ΗΠΑ), 3 έτη (ΕΕ)

Ενότητα 4 Γενικές πληροφορίες

Σε καμία περίπτωση δεν θα είναι ο κατασκευαστής υπεύθυνος για ζημιές που προκύπτουν από οποιαδήποτε μη κατάλληλη χρήση του προϊόντος ή από αστοχία συμμόρφωσης με τις οδηγίες στο εγχειρίδιο. Ο κατασκευαστής διατηρεί το δικαίωμα να πραγματοποιήσει αλλαγές στο παρόν εγχειρίδιο και στα προϊόντα που περιγράφει ανά στιγμή, χωρίς ειδοποίηση ή υποχρέωση. Αναθεωρημένες εκδόσεις διατίθενται από τον ιστοχώρο του κατασκευαστή.

4.1 Πληροφορίες σχετικά με την ασφάλεια

Ο κατασκευαστής δεν φέρει ευθύνη για τυχόν ζημιές που οφείλονται σε λανθασμένη εφαρμογή ή κακή χρήση αυτού του προϊόντος, συμπεριλαμβανομένων, χωρίς περιορισμό, των άμεσων, συμπτωματικών και παρεπόμενων ζημιών, και αποποιείται την ευθύνη για τέτοιες ζημιές στο μέγιστο βαθμό που επιτρέπει το εφαρμοστέο δίκαιο. Ο χρήστης είναι αποκλειστικά υπεύθυνος για την αναγνώριση των σημαντικών κινδύνων εφαρμογής και την εγκατάσταση των κατάλληλων μηχανισμών για την προστασία των διεργασιών κατά τη διάρκεια μιας πιθανής δυσλειτουργίας του εξοπλισμού.

Παρακαλούμε διαβάστε ολόκληρο αυτό το εγχειρίδιο προτού αποσυσκευάσετε, ρυθμίσετε ή λειτουργήσετε αυτόν τον εξοπλισμό. Προσέξτε όλες τις υποδείξεις κινδύνου και προσοχής. Η παράλειψη μπορεί να οδηγήσει σε σοβαρούς τραυματισμούς του χειριστή ή σε ζημιές της συσκευής.

Διασφαλίστε ότι δεν θα προκληθεί καμία βλάβη στις διατάξεις προστασίας αυτού του εξοπλισμού. Μην χρησιμοποιείτε και μην εγκαθιστάτε τον συγκεκριμένο εξοπλισμό με κανέναν άλλον τρόπο, εκτός από αυτούς που προσδιορίζονται στο παρόν εγχειρίδιο.

4.2 Χρήση των πληροφοριών προειδοποίησης κινδύνου

▲ ΚΙΝΔΥΝΟΣ

Υποδεικνύει κάποια ενδεχόμενη ή επικείμενη επικίνδυνη κατάσταση, η οποία, εάν δεν αποτραπεί, θα οδηγήσει σε θάνατο ή σοβαρό τραυματισμό.

▲ ΠΡΟΕΙΔΟΠΟΙΗΣΗ

Υποδεικνύει μια ενδεχόμενη ή επικείμενη επικίνδυνη κατάσταση, η οποία, αν δεν αποτραπεί, μπορεί να προκαλέσει θάνατο ή σοβαρό τραυματισμό.

▲ ΠΡΟΣΟΧΗ

Υποδεικνύει κάποια ενδεχόμενη επικίνδυνη κατάσταση, η οποία μπορεί να καταλήξει σε ελαφρό ή μέτριο τραυματισμό.

ΕΙΔΟΠΟΙΗΣΗ

Υποδεικνύει κατάσταση που, εάν δεν αποτραπεί, μπορεί να προκληθεί βλάβη στο όργανο. Πληροφορίες που απαιτούν ειδική έμφαση.

4.3 Ετικέτες προφύλαξης

Διαβάστε όλες τις ετικέτες και τις σημάνσεις που είναι επικολλημένες στο όργανο. Εάν δεν τηρήσετε τις οδηγίες, ενδέχεται να προκληθεί τραυματισμός ή ζημιά στο όργανο. Το κάθε σύμβολο που θα δείτε στο όργανο, αναφέρεται στο εγχειρίδιο μαζί με την αντίστοιχη δήλωση προειδοποίησης.

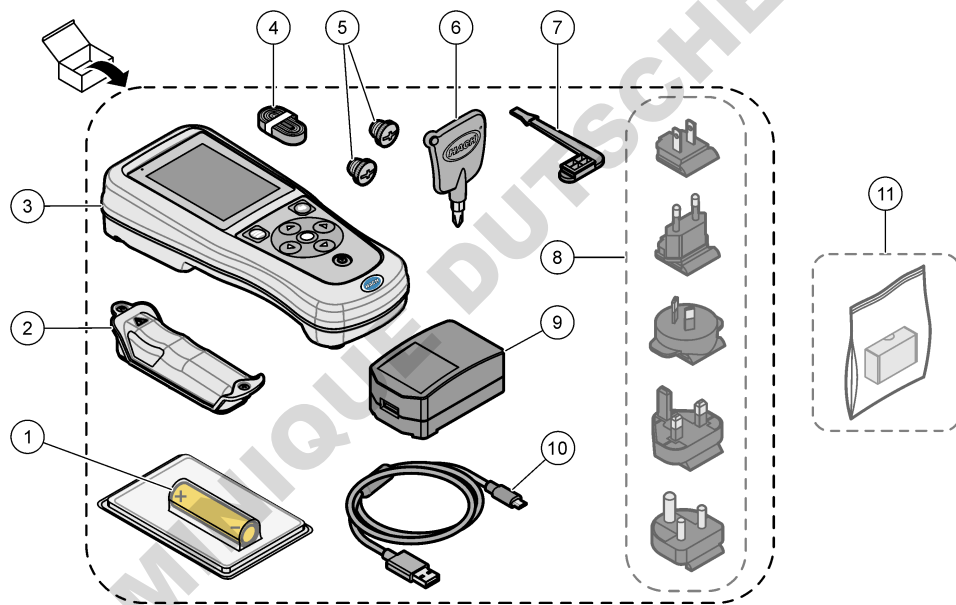


Αν ο ηλεκτρικός εξοπλισμός φέρει το σύμβολο αυτό, δεν επιτρέπεται η απόρριψή του σε ευρωπαϊκά οικιακά και δημόσια συστήματα συλλογής απορριμμάτων. Μπορείτε να επιστρέψετε παλαιό εξοπλισμό ή εξοπλισμό του οποίου η ωφέλιμη διάρκεια ζωής έχει παρέλθει στον κατασκευαστή για απόρριψη, χωρίς χρέωση για το χρήστη.

4.4 Εξαρτήματα προϊόντος

Βεβαιωθείτε ότι έχετε λάβει όλα τα εξαρτήματα. Ανατρέξτε στην [Εικόνα 2](#). Εάν κάποιο αντικείμενο λείπει ή έχει υποστεί ζημιά, επικοινωνήστε αμέσως με τον κατασκευαστή ή με έναν αντιπρόσωπο πωλήσεων.

Εικόνα 2 Εξαρτήματα προϊόντος



1 Επαναφορτιζόμενη μπαταρία ιόντων λιθίου	7 Τάπα θύρας USB
2 Διαμέρισμα μπαταρίας	8 Προαιρετικά βύσματα ρεύματος
3 Μετρητής	9 Προσαρμογέας ρεύματος USB
4 Αναδέτης χειρός	10 Καλώδιο USB, τύπου A σε micro, 1 m (3,3 ft)
5 Τάπες υποδοχών αισθητήρων	11 Προαιρετικό κλειδί υλικού επικοινωνίας Hach (HCD)
6 Κατσαβίδι (#1 Phillips)	

4.5 Πιστοποίηση

Καναδικός Κανονισμός Εξοπλισμού Πρόκλησης Παρεμβολών, ICES-003, Κατηγορία A:

Ο κατασκευαστής διατηρεί τα αρχεία των ελέγχων πιστοτήριξης.

Η παρούσα ψηφιακή συσκευή Κατηγορίας Β ανταποκρίνεται σε όλες τις προδιαγραφές του Καναδικού Κανονισμού Εξοπλισμού Πρόκλησης Παρεμβολών (IECS).

Cet appareil numérique de classe B répond à toutes les exigences de la réglementation canadienne sur les équipements provoquant des interférences.

FCC Κεφάλαιο 15, Κατηγορία 'B' Όρια

Ο κατασκευαστής διατηρεί τα αρχεία των ελέγχων υποστήριξης. Η συσκευή συμμορφώνεται με το Κεφ. 15 των Κανόνων της FCC. Η λειτουργία υπόκειται στις ακόλουθες προϋποθέσεις:

1. Ο εξοπλισμός μπορεί να μην προκαλέσει επιβλαβείς παρεμβολές.
2. Ο εξοπλισμός πρέπει να δέχεται οποιοσδήποτε παρεμβολές λαμβάνονται, καθώς και παρεμβολές που μπορεί να προκαλέσουν ανεπιθύμητη λειτουργία.

Αλλαγές ή τροποποιήσεις αυτού του εξοπλισμού που δεν έχουν ρητά εγκριθεί από τον υπεύθυνο συμμόρφωσης, μπορεί να ακυρώσουν την αρμοδιότητα του χρήστη να λειτουργήσει τον εξοπλισμό. Ο εξοπλισμός αυτός έχει δοκιμαστεί και κρίθηκε ότι συμμορφώνεται με τους περιορισμούς περί ψηφιακών συσκευών Κατηγορίας Β, σύμφωνα με το Κεφάλαιο 15 των κανόνων της FCC. Αυτά τα όρια έχουν σχεδιαστεί για να παρέχουν εύλογη προστασία από τις επιβλαβείς παρεμβολές όταν ο εξοπλισμός λειτουργεί σε εμπορικό περιβάλλον. Αυτό ο εξοπλισμός λειτουργεί, χρησιμοποιεί και μπορεί να εκπέμπει ενέργεια ραδιοσυχνοτήτων και, εάν δεν εγκατασταθεί και δεν χρησιμοποιηθεί σύμφωνα με το εγχειρίδιο οδηγιών, ενδέχεται να προκαλέσει επιβλαβείς παρεμβολές στις ραδιοεπικοινωνίες. Η λειτουργία του εξοπλισμού σε οικιστική περιοχή ενδεχομένως να προκαλέσει επιβλαβείς παρεμβολές, στην οποία περίπτωση ο χρήστης θα χρειαστεί να καλύψει με δικά του έξοδα την αποκατάσταση των παρεμβολών. Για τη μείωση των προβλημάτων παρεμβολών, μπορούν να χρησιμοποιηθούν οι ακόλουθες τεχνικές:

1. Μετακινήστε τον εξοπλισμό μακριά από τη συσκευή που λαμβάνει την παρεμβολή.
2. Επανατοποθετήστε την κεραία λήψης της συσκευής που λαμβάνει την παρεμβολή.
3. Δοκιμάστε συνδυασμούς των παραπάνω.

4.6 Κλειδί υλικού επικοινωνίας Hach (προαιρετικό)

Το προαιρετικό κλειδί υλικού επικοινωνίας Hach (HCD) χρησιμοποιεί Bluetooth®⁵ Χαμηλή ενέργεια για επικοινωνία με το Claros. Ακολουθήστε όλες τις οδηγίες και τις προειδοποιήσεις του κατασκευαστή για την εγκατάσταση και τη χρήση της συσκευής. Ανατρέξτε στα έγγραφα τεκμηρίωσης που συνοδεύουν το HCD.

4.7 Προβλεπόμενη χρήση

⚠ ΠΡΟΣΟΧΗ



Κίνδυνος έκθεσης σε χημικά. Τηρείτε τις εργαστηριακές διαδικασίες ασφάλειας και φοράτε όλα τα μέσα ατομικής προστασίας που είναι κατάλληλα για τα χημικά που χειρίζεστε. Ανατρέξτε στα υπάρχοντα φύλλα δεδομένων ασφάλειας υλικού (MSDS/SDS) για τα πρωτόκολλα ασφάλειας.

Οι φορητοί μετρητές της σειράς HQ προορίζονται για χρήση από άτομα που μετρούν παραμέτρους ποιότητας νερού στο εργαστήριο ή στο πεδίο. Οι μετρητές της σειράς HQ δεν επεξεργάζονται ούτε τροποποιούν νερό.

Ενότητα 5 Εγκατάσταση

⚠ ΚΙΝΔΥΝΟΣ



Πολλαπλοί κίνδυνοι. Μόνο ειδικευμένο προσωπικό πρέπει να εκτελεί τις εργασίες που περιγράφονται σε αυτήν την ενότητα του εγχειριδίου.

⁵ Το λεκτικό σήμα Bluetooth® και τα λογότυπα είναι σήματα κατατεθέντα που ανήκουν στην Bluetooth SIG, Inc. και οποιαδήποτε χρήση αυτών των σημάτων από τη HACH υπόκειται σε άδεια.

5.1 Ασφάλεια μπαταρίας λιθίου

▲ ΠΡΟΕΙΔΟΠΟΙΗΣΗ



Κίνδυνος πυρκαγιάς και έκρηξης. Οι μπαταρίες λιθίου μπορεί να υπερθερμανθούν, να εκραγούν ή να αναφλεγούν και να προκληθεί σοβαρός τραυματισμός σε περίπτωση κακής χρήσης.

- Μην χρησιμοποιείτε την μπαταρία σε περίπτωση ορατής βλάβης.
- Μην χρησιμοποιείτε την μπαταρία σε περίπτωση ισχυρού κραδασμού ή δόνησης.
- Μην εκθέτετε την μπαταρία σε εστίες φωτιάς ή ανάφλεξης.
- Διατηρείτε την μπαταρία σε θερμοκρασίες κάτω των 70 °C (158 °F).
- Διατηρείτε την μπαταρία στεγνή και μακριά από νερό.
- Αποτρέψτε την επαφή του θετικού και του αρνητικού πόλου της μπαταρίας.
- Μην αφήνετε μη εξουσιοδοτημένα άτομα να έρθουν σε επαφή με την μπαταρία.
- Απορρίψτε την μπαταρία σύμφωνα με τους τοπικούς, περιφερειακούς και εθνικούς κανονισμούς.
- Μην χρησιμοποιείτε ή αποθηκεύετε το όργανο σε άμεσο ηλιακό φως, κοντά σε πηγή θερμότητας ή σε περιβάλλοντα με υψηλές θερμοκρασίες όπως σε κλειστό όχημα σε άμεσο ηλιακό φως.

5.2 Τοποθέτηση μπαταριών

▲ ΠΡΟΕΙΔΟΠΟΙΗΣΗ



Κίνδυνος πυρκαγιάς/έκρηξης. Ο παρών εξοπλισμός περιέχει μπαταρία λιθίου υψηλής ενέργειας, η οποία μπορεί να αναφλεχθεί και να προκαλέσει πυρκαγιά ή έκρηξη, ακόμη και όταν δεν διαρρέεται από ρεύμα. Για τη διατήρηση της ασφάλειας που παρέχεται από το περίβλημα του οργάνου, το περίβλημα του οργάνου πρέπει να εγκατασταθεί και να ασφαλιστεί με τον παρεχόμενο υλικό εξοπλισμό.

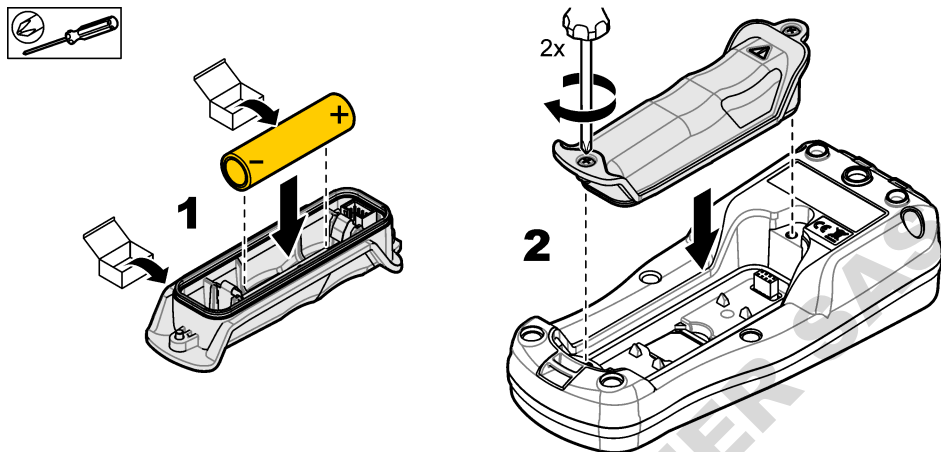
▲ ΠΡΟΕΙΔΟΠΟΙΗΣΗ



Κίνδυνος έκρηξης και πυρκαγιάς. Η αντικατάσταση μπαταριών δεν επιτρέπεται. Χρησιμοποιείτε μόνο μπαταρίες που παρέχονται από τον κατασκευαστή του οργάνου.

Χρησιμοποιείτε μόνο την επαναφορτιζόμενη μπαταρία ιόντων λιθίου που παρέχεται από τον κατασκευαστή. Ανατρέξτε στην [Εικόνα 3](#) για τοποθέτηση ή αφαίρεση της μπαταρίας.

Εικόνα 3 Τοποθέτηση και αφαίρεση μπαταρίας



5.3 Φόρτιση της μπαταρίας

▲ ΚΙΝΔΥΝΟΣ



Κίνδυνος ηλεκτροπληξίας. Εάν αυτός ο εξοπλισμός χρησιμοποιείται σε εξωτερικό χώρο ή δυναμική υγρή τοποθεσία, πρέπει να χρησιμοποιηθεί μια συσκευή διακοπής κυκλώματος λόγω σφάλματος γείωσης (GFCI/GFI) για τη σύνδεση του εξοπλισμού στην κύρια πηγή τροφοδοσίας του.

▲ ΠΡΟΕΙΔΟΠΟΙΗΣΗ



Κίνδυνος πυρκαγιάς. Χρησιμοποιείτε μόνο το εξωτερικό τροφοδοτικό που προβλέπεται για αυτό το όργανο.

▲ ΠΡΟΕΙΔΟΠΟΙΗΣΗ



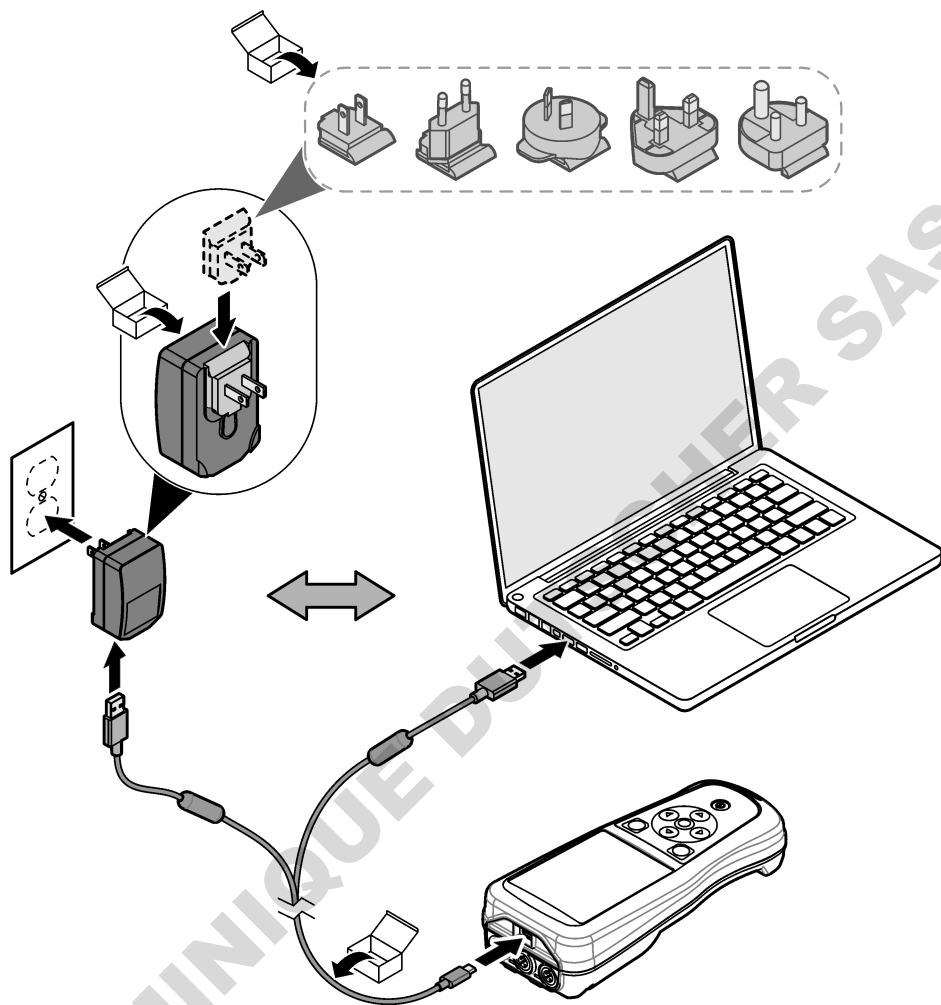
Κίνδυνος ηλεκτροπληξίας. Ο εξοπλισμός που συνδέεται εξωτερικά πρέπει να έχει περάσει από ισχύουσα αξιολόγηση με βάση τα πρότυπα ασφαλείας της χώρας.

ΕΙΔΟΠΟΙΗΣΗ

Τοποθετείτε πάντα την τάπα θύρας USB όταν η θύρα δεν χρησιμοποιείται ώστε να τη διατηρείτε καθαρή και να αποτρέψετε τη διάβρωση. Μην φορτίζετε την μπαταρία εάν η θύρα USB είναι υγρή, ρυπαρή ή διαβρωμένη. Ανατρέξτε στο [Τοποθετήστε τις τάπες θύρας USB και αισθητήρα](#) στη σελίδα 429.

Χρησιμοποιήστε το παρεχόμενο καλώδιο USB και τον προσαρμογέα ρεύματος USB ή έναν υπολογιστή για να φορτίσετε την μπαταρία. Ανατρέξτε στο [Εικόνα 4](#). Όταν το όργανο συνδεθεί στο ρεύμα και πατηθεί το πλήκτρο ενεργοποίησης/απενεργοποίησης, ανάβει η πράσινη ενδεικτική λυχνία LED. Ο χρήστης μπορεί να χρησιμοποιεί το όργανο όσο φορτίζεται η μπαταρία. Μια αποφορτισμένη μπαταρία φορτίζεται πλήρως μετά από περίπου 5 ώρες όταν χρησιμοποιείται ο προσαρμογέας USB και το όργανο είναι απενεργοποιημένο. Βεβαιωθείτε ότι έχετε τοποθετήσει την τάπα θύρας USB όταν η θύρα USB δεν χρησιμοποιείται. Ανατρέξτε στο [Τοποθετήστε τις τάπες θύρας USB και αισθητήρα](#) στη σελίδα 429.

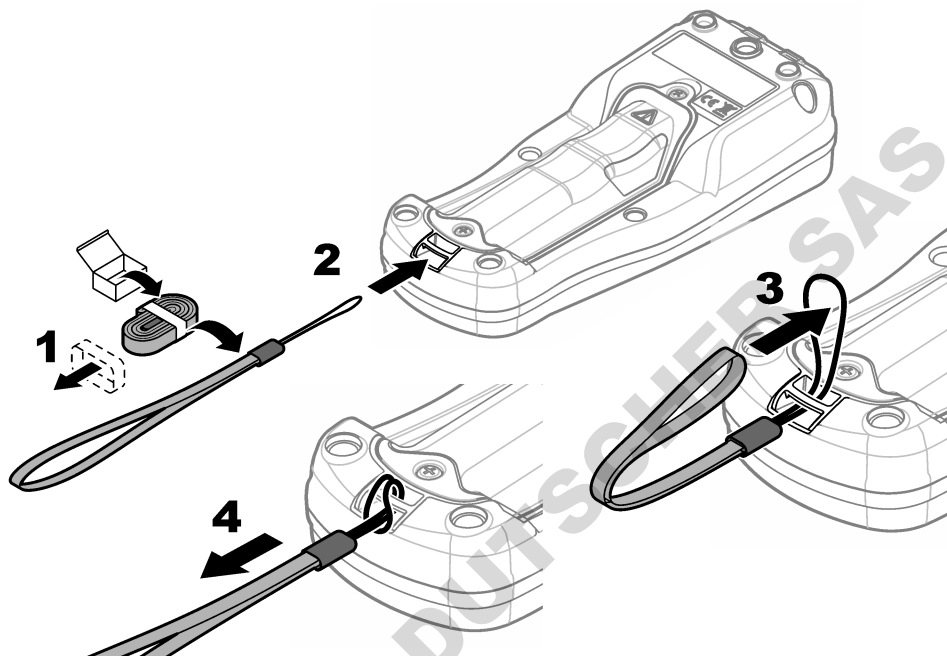
Εικόνα 4 Σύνδεση στον προσαρμογέα ρεύματος USB ή σε υπολογιστή



5.4 Τοποθέτηση του αναδέτη

Τοποθετήστε τον αναδέτη για να κρατάτε με ασφάλεια το μετρητή. Βλ. [Εικόνα 5](#).

Εικόνα 5 Τοποθέτηση αναδέτη

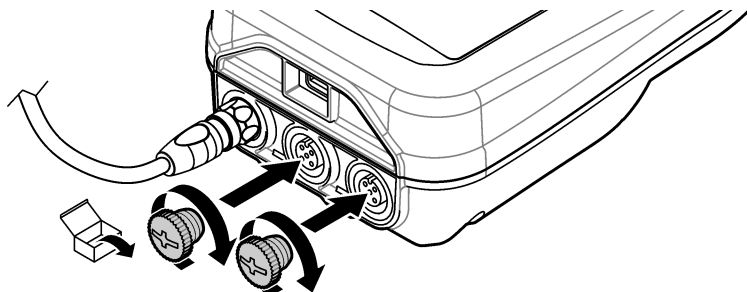


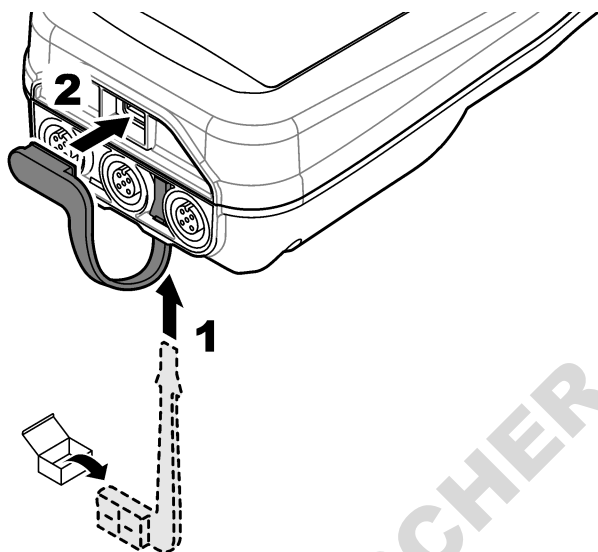
5.5 Τοποθετήστε τις τάπες θύρας USB και αισθητήρα

Βεβαιωθείτε ότι έχετε τοποθετήσει τις τάπες θυρών στις θύρες USB και αισθητήρα όταν οι θύρες δεν χρησιμοποιούνται ώστε να τις διατηρείτε καθαρές και να αποτρέπετε τη διάβρωση. Οι τάπες θυρών πρέπει να τοποθετούνται στις κενές θύρες ώστε να διατηρείται ο βαθμός προστασίας περιβλήματος του οργάνου. Ανατρέξτε στο [Εικόνα 6](#) και [Εικόνα 7](#).

Σημείωση: [Εικόνα 6](#) εμφανίζει έναν μετρητή με τρεις θύρες αισθητήρα. Ορισμένα μοντέλα μετρητών διαθέτουν μόνο μία ή δύο θύρες αισθητήρα.


Εικόνα 6 Τοποθέτηση τάπας θύρας





Ενότητα 6 Εκκίνηση

6.1 Εκκίνηση του μετρητή

Πατήστε  για να εκκινήσετε το μετρητή. Εάν ο μετρητής δεν εκκινείται, βεβαιωθείτε ότι η μπαταρία έχει τοποθετηθεί σωστά ή ότι ο μετρητής είναι συνδεδεμένος σε πηγή τροφοδοσίας. Βλ. [Φόρτιση της μπαταρίας](#) στη σελίδα 427.

6.2 Επιλογή γλώσσας

Όταν ο μετρητής ενεργοποιηθεί για πρώτη φορά ή όταν τοποθετηθεί καινούργια μπαταρία, στην οθόνη εμφανίζεται η οθόνη επιλογής γλώσσας. Επιλέξτε τη γλώσσα που επιθυμείτε. Ο χρήστης μπορεί επίσης να αλλάξει τη γλώσσα από το μενού "Ρυθμίσεις".

6.3 Ρύθμιση ημερομηνίας και ώρας

Όταν ο μετρητής ενεργοποιηθεί για πρώτη φορά ή όταν τοποθετηθεί καινούργια μπαταρία, στην οθόνη εμφανίζεται η οθόνη ημερομηνίας-ώρας. Ολοκληρώστε τα παρακάτω βήματα για να ρυθμίσετε την ημερομηνία και την ώρα.

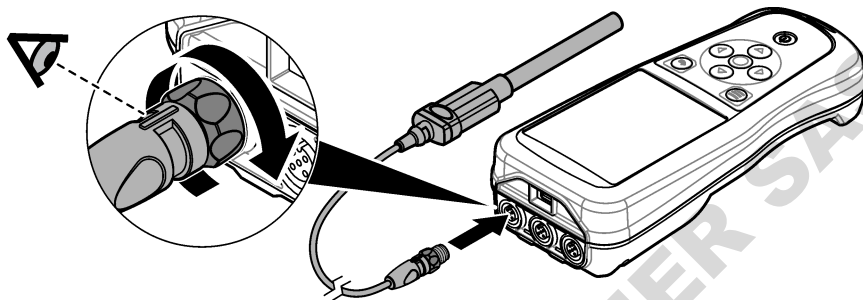
Σημείωση: Ο χρήστης μπορεί επίσης να αλλάξει την ημερομηνία και την ώρα από το μενού "Ρυθμίσεις".

1. Χρησιμοποιήστε τα πλήκτρα πάνω και κάτω βέλους για να επιλέξετε μια μορφή ημερομηνίας.
2. Πατήστε το δεξί βέλος για να μεταβείτε στην ημερομηνία και την ώρα.
3. Πατήστε τα πλήκτρα πάνω και κάτω βέλους για να αλλάξετε την ημερομηνία και την ώρα.
4. Πατήστε το δεξί βέλος για να επισημάνετε την επιλογή Αποθήκευση.
5. Επιλέξτε Αποθήκευση για να διατηρήσετε τις ρυθμίσεις.

6.4 Σύνδεση αισθητήρα

Βεβαιωθείτε ότι έχετε ρυθμίσει την ώρα και την ημερομηνία στο μετρητή προτού συνδέσετε έναν αισθητήρα. Η χρονοσήμανση για τον αισθητήρα ρυθμίζεται κατά την πρώτη σύνδεση του αισθητήρα στο μετρητή. Η χρονοσήμανση καταγράφει αυτόματα το ιστορικό αισθητήρα και την ώρα εκτέλεσης των μετρήσεων. Για να συνδέσετε έναν αισθητήρα στο μετρητή, βλ. [Εικόνα 8](#).

Εικόνα 8 Σύνδεση αισθητήρα στο μετρητή



Ενότητα 7 Περιβάλλον εργασίας χρήστη και πλοήγηση

Μετά την εκκίνηση, στην οθόνη εμφανίζεται η αρχική οθόνη. Βλ. [Αρχική οθόνη](#) στη σελίδα 431. Χρησιμοποιήστε το πληκτρολόγιο για να επιλέξετε από τις διαθέσιμες επιλογές και να αλλάξετε τιμές. Βλ. [Πληκτρολόγιο](#) στη σελίδα 433. Χρησιμοποιήστε το κύριο μενού για να μεταβείτε στις ρυθμίσεις και σε άλλα μενού. Βλ. [Κύριο μενού](#) στη σελίδα 434.

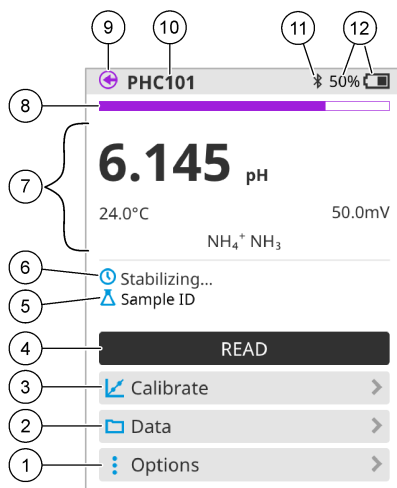
7.1 Αρχική οθόνη

Στην οθόνη εμφανίζεται η αρχική οθόνη όταν ο μετρητής είναι ενεργοποιημένος και έχει συνδεθεί αισθητήρας στο μετρητή. Βλ. [Εικόνα 9](#). Τα μοντέλα HQ4100, HQ4200 και HQ4300 διαθέτουν έγχρωμη οθόνη. Στα μοντέλα με δύο ή τρεις θύρες αισθητήρα, στην οθόνη εμφανίζονται όλοι οι συνδεδεμένοι αισθητήρες. Βλ. [Εικόνα 10](#).

Οι παρακάτω εργασίες είναι διαθέσιμες από την αρχική οθόνη:

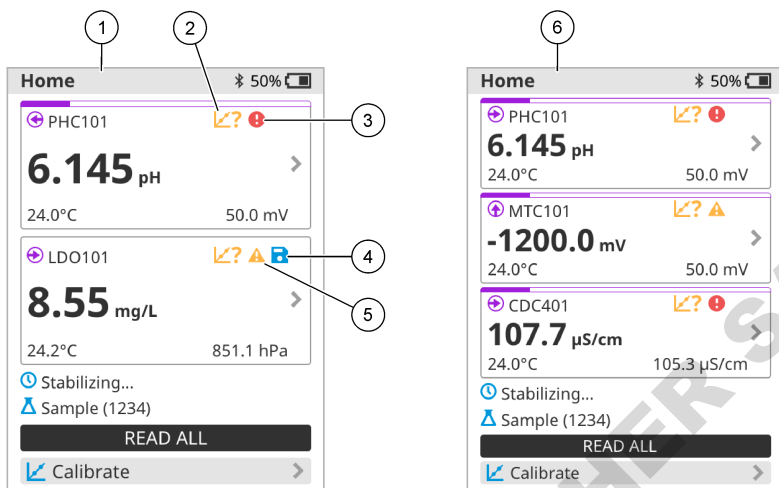
- Μέτρηση δειγμάτων
- Βαθμονόμηση αισθητήρα
- Επαλήθευση βαθμονόμησης
- Ορισμός ID δείγματος (ταυτότητα)
- Προβολή και διαχείριση δεδομένων
- Ανάγνωση οδηγιών βήμα προς βήμα

Εικόνα 9 Παράδειγμα αρχικής οθόνης—Ένας αισθητήρας



1	Μενού Επιλογές: Παρέχει πρόσβαση σε οδηγίες και άλλα μενού	7	Ενότητα τιμής μέτρησης: Εμφανίζει την τιμή μέτρησης, τη θερμοκρασία και τις μονάδες
2	Μενού Δεδομένα: Παρέχει πρόσβαση στην προβολή και διαχείριση δεδομένων	8	Ένδειξη κατάστασης σταθερότητας μέτρησης: Εμφανίζει την κατάσταση της μέτρησης
3	Κουμπί Βαθμονόμηση: Ξεκινά μια βαθμονόμηση	9	Όρα αισθητήρα Intellical: Εμφανίζει τη θέση της θύρας του συνδεδεμένου αισθητήρα
4	Κουμπί Μέτρηση: Μετρά την τιμή του δείγματος ή του πρότυπου διαλύματος	10	Όνομα αισθητήρα Intellical: Εμφανίζει το όνομα μοντέλου του συνδεδεμένου αισθητήρα
5	ID δείγματος: Εμφανίζει το όνομα του δείγματος που μετράται	11	Εικονίδιο Bluetooth® (εάν έχει τοποθετηθεί κλειδί υλικού επικοινωνίας Hach): Εμφανίζει πότε είναι ενεργή μια σύνδεση Bluetooth
6	Περιοχή μηνυμάτων: Εμφανίζει την κατάσταση της μέτρησης, το ID δείγματος, σφάλματα και προειδοποιήσεις	12	Ένδειξη φόρτισης μπαταρίας: Εμφανίζει το ποσοστό φόρτισης της μπαταρίας

Εικόνα 10 Παράδειγμα αρχικής οθόνης—Δύο ή τρεις αισθητήρες

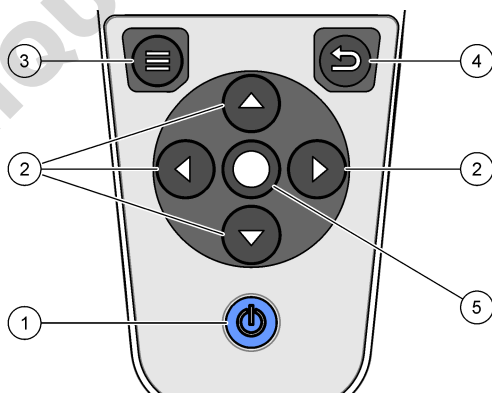


1 Αρχική οθόνη με δύο αισθητήρες	4 Εικονίδιο αποθήκευσης: Τα δεδομένα μέτρησης βρίσκονται στο αρχείο καταγραφής δεδομένων
2 Εικονίδιο βαθμονόμησης: Υποδεικνύει ότι η βαθμονόμηση δεν έγινε αποδεκτή ή έχει λήξει	5 Εικονίδιο προειδοποίησης (βλ. Αντιμετώπιση προβλημάτων στη σελίδα 439)
3 Εικονίδιο σφάλματος (βλ. Αντιμετώπιση προβλημάτων στη σελίδα 439)	6 Αρχική οθόνη με τρεις αισθητήρες

7.2 Πληκτρολόγιο


Βλ. [Εικόνα 11](#) για την περιγραφή του πληκτρολογίου.

Εικόνα 11 Περιγραφή πληκτρολογίου

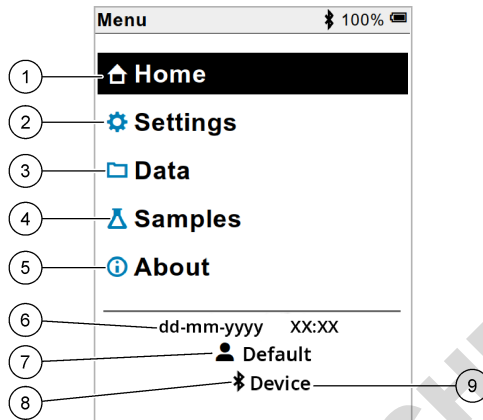


1 Κουμπί ενεργοποίησης/απενεργοποίησης	4 Πλήκτρο Πίσω
2 Κουμπιά βέλους πλοήγησης	5 Πλήκτρο επιλογής
3 Πλήκτρο Μενού	

7.3 Κύριο μενού

Πατήστε  για να μεταβείτε στο κύριο μενού. Βλ. [Εικόνα 12](#).

Εικόνα 12 Περιγραφή κύριου μενού



1 Αρχική σελίδα	4 Μενού ID δείγματος	7 ID χρήστη
2 Μενού Ρυθμίσεις	5 Οθόνη πληροφοριών για το μετρητή	8 Εικονίδιο Bluetooth® (εάν έχει τοποθετηθεί HCD)
3 Μενού Δεδομένα	6 Ημερομηνία και ώρα	9 ID συσκευής Bluetooth® (εάν έχει τοποθετηθεί HCD)

Ενότητα 8 Λειτουργία

Σε αυτήν την ενότητα παρέχονται γενικές οδηγίες λειτουργίας για το μετρητή. Για πιο πλήρεις οδηγίες, ανατρέξτε στις οδηγίες που εμφανίζονται στην οθόνη του μετρητή ή στο εγχειρίδιο χρήσης του αισθητήρα.

8.1 Μέτρηση δειγμάτων


Τα βήματα που ακολουθούν είναι γενικά βήματα για τη μέτρηση δειγμάτων με το μετρητή.

1. Επιλέξτε τον τρόπο μέτρησης. Βλ. [Ρυθμίσεις μετρητή](#) στη σελίδα 436.
2. Προετοιμάστε το δείγμα για μέτρηση. Ακολουθήστε τις οδηγίες που εμφανίζονται στην οθόνη του μετρητή ή στο εγχειρίδιο χρήσης του αισθητήρα.
3. Μετρήστε το δείγμα ως εξής:
 - **Λειτουργία "Μέτρηση με το πάτημα":** Επιλέξτε Μέτρηση (ή Ανάγνωση όλων) για να μετρήσετε την τιμή δείγματος. Ο μετρητής αποθηκεύει αυτόματα την τιμή.
 - **Λειτουργία "Διάστημα":** Επιλέξτε "Εναρξη" (ή "Εναρξη όλων") για να ξεκινήσετε τις μετρήσεις. Ο μετρητής μετρά αυτόματα και αποθηκεύει την τιμή δείγματος στα καθορισμένα χρονικά διαστήματα. Επιλέξτε "Διακοπή" (ή "Διακοπή όλων") για να διακόψετε τις μετρήσεις.
 - **Συνεχής λειτουργία:** Ο μετρητής μετρά συνεχώς την τιμή δείγματος. Επιλέξτε Αποθήκευση (ή "Αποθήκευση όλων") για να αποθηκεύσετε την τιμή που εμφανίζεται στην οθόνη.

Μετά από κάθε μέτρηση, στην οθόνη εμφανίζεται το αποτέλεσμα. Το εικονίδιο αποθήκευσης εμφανίζεται στην οθόνη εάν το αποτέλεσμα έχει αποθηκευτεί στο αρχείο καταγραφής δεδομένων.

8.2 Βαθμονόμηση αισθητήρα


Τα βήματα που ακολουθούν είναι γενικά βήματα για τη βαθμονόμηση αισθητήρα με τον μετρητή. Για να αλλάξετε τις ρυθμίσεις βαθμονόμησης, βλ. [Ρυθμίσεις αισθητήρα](#) στη σελίδα 437.

1. Από την αρχική οθόνη, επιλέξτε  Βαθμονόμηση. Εάν έχουν συνδεθεί περισσότεροι από ένας αισθητήρες, επιλέξτε τον αισθητήρα προς βαθμονόμηση. Στην οθόνη εμφανίζονται τα διαλύματα που θα χρησιμοποιηθούν για τη βαθμονόμηση.
2. Ετοιμάστε τα ρυθμιστικά διαλύματα ή τα πρότυπα διαλύματα προς βαθμονόμηση. Ακολουθήστε τις οδηγίες που εμφανίζονται στην οθόνη του μετρητή ή στο εγχειρίδιο χρήσης του αισθητήρα.
3. Επιλέξτε Μέτρηση για να ξεκινήσετε τη βαθμονόμηση. Ο μετρητής μετρά την τιμή του διαλύματος βαθμονόμησης. Όταν ολοκληρωθεί η μέτρηση, το αποτέλεσμα εμφανίζεται στην οθόνη.
4. Επιλέξτε Μέτρηση για να μετρήσετε την τιμή των άλλων ρυθμιστικών διαλυμάτων ή πρότυπων διαλυμάτων, εάν υπάρχουν. Επιλέξτε Αποθήκευση για να αποθηκεύσετε τη βαθμονόμηση.

Σημείωση: Εάν η βαθμονόμηση δεν γίνει αποδεκτή, ανατρέξτε στις οδηγίες αντιμετώπισης προβλημάτων που εμφανίζονται στην οθόνη του μετρητή ή στο εγχειρίδιο χρήσης του αισθητήρα.

8.3 Επαλήθευση της βαθμονόμησης

Τα βήματα που ακολουθούν είναι γενικά βήματα για την επαλήθευση μιας βαθμονόμησης αισθητήρα με το μετρητή. Για να αλλάξετε τις ρυθμίσεις επαλήθευσης, βλ. [Ρυθμίσεις αισθητήρα](#) στη σελίδα 437.

1. Από την αρχική οθόνη, επιλέξτε Επιλογές > Επαλήθευση βαθμονόμησης. Στην οθόνη εμφανίζεται το ρυθμιστικό διάλυμα ή το πρότυπο διάλυμα που θα χρησιμοποιηθεί για την επαλήθευση.
2. Ετοιμάστε το ρυθμιστικό διάλυμα ή το πρότυπο διάλυμα για επαλήθευση. Ακολουθήστε τις οδηγίες που εμφανίζονται στην οθόνη του μετρητή ή στο εγχειρίδιο χρήσης του αισθητήρα.
3. Επιλέξτε Μέτρηση για να ξεκινήσετε την επαλήθευση. Ο μετρητής μετρά την τιμή του διαλύματος προς επαλήθευση. Όταν ολοκληρωθεί η μέτρηση, το αποτέλεσμα εμφανίζεται στην οθόνη.
4. Εάν η επαλήθευση είναι επιτυχής , επιλέξτε Αποθήκευση για να αποθηκεύσετε το αποτέλεσμα.

Σημείωση: Εάν η επαλήθευση δεν γίνει αποδεκτή, ανατρέξτε στις οδηγίες αντιμετώπισης προβλημάτων που εμφανίζονται στην οθόνη του μετρητή ή στο εγχειρίδιο χρήσης του αισθητήρα.

8.4 Συμπερίληψη του ID δείγματος στα δεδομένα μέτρησης


Το όργανο μπορεί να αποθηκεύσει ένα όνομα δείγματος (ID) μαζί με τα αποθηκευμένα δεδομένα. Καταχωρίστε πολλά ονόματα δειγμάτων στο όργανο και, στη συνέχεια, επιλέξτε το κατάλληλο όνομα δείγματος πριν από τη μέτρηση των δειγμάτων. Το όργανο προσθέτει αριθμούς σε δείγματα που έχουν το ίδιο όνομα, π.χ. "Όνομα δείγματος (2)".

1. Πατήστε  και επιλέξτε Δείγματα.
2. Ορίστε μια επιλογή.

Επιλογή	Περιγραφή
Δείγμα	Επιλέγει το όνομα του δείγματος που θα αποθηκευτεί μαζί με τις μετρήσεις δείγματος.
Δημιουργία νέου δείγματος	Ανοίγει μια οθόνη για την προσθήκη νέων ονομάτων δειγμάτων. Τα ονόματα δειγμάτων μπορούν να περιλαμβάνουν γράμματα και αριθμούς.
Διαγραφή δειγμάτων	Καταργεί ονόματα δειγμάτων.

8.5 Συμπερίληψη του ID χρήστη με τα αποθηκευμένα δεδομένα

Το όργανο μπορεί να καταγράψει ένα όνομα χρήστη (ID) μαζί με τα αποθηκευμένα δεδομένα. Καταχωρίστε πολλά ονόματα χρηστών στο όργανο και, στη συνέχεια, επιλέξτε το κατάλληλο όνομα χρήστη πριν από την έναρξη των βαθμονομήσεων ή των μετρήσεων.


1. Πατήστε  και επιλέξτε Ρυθμίσεις. Εμφανίζεται η λίστα ρυθμίσεων.
2. Επιλέξτε Χρήστες.
3. Ορίστε μια επιλογή.

Επιλογή	Περιγραφή
Χρήστες	Επιλέγει το όνομα χρήστη. Το επιλεγμένο όνομα χρήστη εμφανίζεται στην οθόνη του κύριου μενού και αποθηκεύεται μαζί με τα αποθηκευμένα δεδομένα.
Δημιουργία νέου χρήστη	Ανοίγει μια οθόνη για την προσθήκη νέων ονομάτων χρηστών. Τα ονόματα χρηστών μπορούν να περιλαμβάνουν γράμματα και αριθμούς.
Διαγραφή χρηστών	Καταργεί ονόματα χρηστών.

Ενότητα 9 Ρυθμίσεις μετρητή

Ολοκληρώστε τα βήματα που ακολουθούν για να αλλάξετε τις γενικές ρυθμίσεις του μετρητή.

Σημείωση: Η προστασία με κωδικό πρόσβασης μπορεί να εμποδίζει την πρόσβαση σε ορισμένα μενού. Ανατρέξτε στο ηλεκτρονικό εγχειρίδιο χρήστη για πληροφορίες σχετικά με τον έλεγχο πρόσβασης.

1. Πατήστε  και επιλέξτε Ρυθμίσεις. Εμφανίζεται η λίστα ρυθμίσεων.
2. Ορίστε μια επιλογή.


Επιλογή	Περιγραφή
[Όνομα αισθητήρα]	Αλλάζει τις ειδικές ρυθμίσεις του καθετήρα για μετρήσεις, βαθμονόμηση και επαλήθευση. Ανατρέξτε στο Ρυθμίσεις αισθητήρα στη σελίδα 437 για να αλλάξετε τις ρυθμίσεις για τον συνδεδεμένο αισθητήρα.
Λειτουργία μέτρησης	Ορίζει όταν ξεκινούν οι μετρήσεις. Επιλογές: Πίσετε για μέτρηση, Συνεχές ή Διάστημα. Πίσετε για μέτρηση: Το δείγμα μετριέται μόνο όταν πιέζεται το Μέτρηση. Τα δεδομένα αποθηκεύονται αυτόματα στο αρχείο καταγραφής δεδομένων όταν πληρούνται τα κριτήρια σταθερότητας. Διάστημα: Το δείγμα μετριέται σε τακτά χρονικά διαστήματα για μια καθορισμένη διάρκεια. Τα δεδομένα αποθηκεύονται αυτόματα στο αρχείο καταγραφής δεδομένων. Συνεχές: Ο μετρητής μετρά την τιμή του δείγματος συνεχώς. Τα δεδομένα αποθηκεύονται μόνο στο αρχείο καταγραφής δεδομένων όταν ο χρήστης επιλέξει Αποθήκευση.
Θερμοκρασία	Ρυθμίζει τις μονάδες θερμοκρασίας σε ° C ή ° F.
Οθόνη	Αλλάζει τις ρυθμίσεις για την οθόνη. Επιλογές: Φωτεινότητα, Οπίσθιος φωτισμός και Τερματισμός λειτουργίας. Φωτεινότητα: Αλλάζει την ένταση του οπίσθιου φωτισμού. Επιλογές: 10 έως 100% (προεπιλογή: 50%). Οπίσθιος φωτισμός: Απενεργοποιεί τον οπίσθιο φωτισμό όταν ο μετρητής δεν χρησιμοποιείται για συγκεκριμένο χρόνο. Επιλογές: 15 δευτερόλεπτα, 30 δευτερόλεπτα, 1 λεπτό, 5 λεπτά ή Ποτέ. Τερματισμός λειτουργίας: Απενεργοποιεί τον μετρητή όταν ο μετρητής δεν χρησιμοποιείται για συγκεκριμένο χρόνο. Επιλογές: 1 λεπτό, 2 λεπτά, 5 λεπτά, 10 λεπτά, 30 λεπτά, 1 ώρα, 2 ώρες ή Ποτέ.
Ήχος	Ρυθμίζει το μετρητή για να κάνει ήχο κατά τη διάρκεια πατημάτων ή ειδοποιήσεων. Επιλογές: Πάτημα πλήκτρου, Ειδοποίηση σταθεροποίησης, Υπενθύμιση, Σφάλμα/Προειδοποίηση ή (μπαταρία) Ολοκλήρωση φόρτισης.
Χρήστες	Επιλέγει έναν χρήστη, προσθέτει έναν νέο χρήστη ή διαγράφει έναν χρήστη.
Ημερομηνία-Ώρα	Ορίζει τη μορφή ημερομηνίας / ώρας, την ημερομηνία και την ώρα στο μετρητή.

Επιλογή	Περιγραφή
Γλώσσα	Ορίζει τη γλώσσα του μετρητή.
Πρόσβαση	Ορίζει έναν κωδικό πρόσβασης για να αποτρέπεται η πρόσβαση στις ρυθμίσεις καθετήρα, ορισμένες ρυθμίσεις μετρητή (λειτουργία μέτρησης, θερμοκρασία, γλώσσα) και ενημερώσεις λογισμικού. Ένας χρήστης χωρίς τον κωδικό πρόσβασης δεν μπορεί να διαγράψει ρυθμίσεις ή δεδομένα όταν είναι ενεργοποιημένος ο έλεγχος πρόσβασης.
Διαγνωστικά	Δημιουργεί ένα διαγνωστικό αρχείο για τεχνική υποστήριξη ή υπηρεσία εάν παρουσιαστεί ένα τεχνικό πρόβλημα. Ο χρήστης πρέπει να συνδέσει τον μετρητή σε έναν υπολογιστή για να πάρει το αρχείο.

Ενότητα 10 Ρυθμίσεις αισθητήρα

Όταν συνδεθεί ένας αισθητήρας στο μετρητή, ο χρήστης μπορεί να αλλάξει τις ρυθμίσεις του αισθητήρα για μετρήσεις, βαθμονομήσεις και επαλήθευσεις. Ανατρέξτε στα βήματα που ακολουθούν για να αποκτήσετε πρόσβαση στις ρυθμίσεις για το συνδεδεμένο αισθητήρα. Για μια πλήρη περιγραφή των ρυθμίσεων, ανατρέξτε στο ηλεκτρονικό εγχειρίδιο χρήσης του μετρητή.

Σημείωση: Η προστασία με κωδικό πρόσβασης μπορεί να εμποδίζει την πρόσβαση σε ορισμένα μενού. Για πληροφορίες σχετικά με τις ρυθμίσεις ασφαλείας, ανατρέξτε στο ηλεκτρονικό εγχειρίδιο χρήσης.


1. Πατήστε  και επιλέξτε Ρυθμίσεις. Εμφανίζεται η λίστα ρυθμίσεων.
2. Επιλέξτε το όνομα του αισθητήρα.
3. Ορίστε την κατάλληλη επιλογή: Μέτρηση, Βαθμονόμηση ή Επαλήθευση.

Ενότητα 11 Διαχείριση δεδομένων

Ο μετρητής αποθηκεύει τα δεδομένα από τις μετρήσεις δειγμάτων, τις βαθμονομήσεις και τις επαλήθευσεις ως εξής:

- Μετρήσεις δειγμάτων—Ο μετρητής αποθηκεύει αυτόματα τα δεδομένα μέτρησης του δείγματος όταν η λειτουργία μέτρησης είναι "Μέτρηση με το πάτημα" ή "Διάστημα". Όταν η λειτουργία μέτρησης είναι "Συνεχής", ο χρήστης πρέπει να επιλέξει "Αποθήκευση" για να αποθηκευτούν τα δεδομένα μέτρησης του δείγματος. Το εικονίδιο αποθήκευσης εμφανίζεται στην αρχική οθόνη όταν τα δεδομένα μέτρησης του δείγματος βρίσκονται στο αρχείο καταγραφής δεδομένων.
- Δεδομένα βαθμονόμησης—Ο χρήστης πρέπει να επιλέξει "Αποθήκευση" για να αποθηκεύσει τα δεδομένα βαθμονόμησης. Τα δεδομένα βαθμονόμησης αποθηκεύονται στο μετρητή και στον αισθητήρα Intellical.
- Δεδομένα επαλήθευσης—Ο χρήστης πρέπει να επιλέξει "Αποθήκευση" για να αποθηκεύσει τα δεδομένα επαλήθευσης.

Για προβολή, εξαγωγή ή διαγραφή δεδομένων, ακολουθήστε τα παρακάτω βήματα.

1. Πατήστε  και επιλέξτε Δεδομένα ή επιλέξτε Δεδομένα από την αρχική οθόνη.
2. Ορίστε μια επιλογή.

Επιλογή	Περιγραφή
Προβολή δεδομένων	Εμφανίζει τα δεδομένα στο αρχείο καταγραφής δεδομένων. Πρώτα εμφανίζονται τα πιο πρόσφατα δεδομένα. Πατήστε το κάτω βέλος για να δείτε περισσότερα δεδομένα. Το εικονίδιο βαθμονόμησης εμφανίζεται όταν ο τύπος δεδομένων είναι δεδομένα βαθμονόμησης. Το εικονίδιο επαλήθευσης εμφανίζεται όταν ο τύπος δεδομένων είναι δεδομένα επαλήθευσης. Για να δείτε περισσότερες λεπτομέρειες για ένα σημείο δεδομένων, επιλέξτε μια γραμμή δεδομένων και πατήστε το δεξί βέλος. Για να εφαρμόσετε ένα φίλτρο και να εμφανίσετε μόνο τα φιλτραρισμένα δεδομένα, πατήστε το αριστερό βέλος και επιλέξτε παράμετρο, έναν τύπο δεδομένων ή ένα εύρος ημερομηνιών.

Επιλογή	Περιγραφή
Εξαγωγή δεδομένων	<p>Αποστέλλει ένα αντίγραφο όλων των δεδομένων στο αρχείο καταγραφής δεδομένων σε έναν συνδεδεμένο υπολογιστή ή σε μια συσκευή αποθήκευσης USB. Για να συνδέσετε το όργανο με υπολογιστή, βλ. Εικόνα 4 στη σελίδα 428. Για να συνδέσετε το όργανο σε μια τυπική συσκευή αποθήκευσης USB, χρησιμοποιήστε έναν προσαρμογέα micro USB σε USB τύπου A. Εναλλακτικά, χρησιμοποιήστε μια συσκευή αποθήκευσης USB με υποδοχή micro USB.</p> <p>Όταν το όργανο συνδεθεί σε υπολογιστή, ανοίγει ένα παράθυρο της Εξερεύνησης αρχείων σε μια μονάδα δίσκου με την ονομασία "HQ-Series". Αναπτύξτε τη μονάδα δίσκου και αναζητήστε έναν υποφάκελο με το όνομα και τον αριθμό σειράς του μετρητή. Το αρχείο δεδομένων εμφανίζεται ως αρχείο .csv με την ημερομηνία και την ώρα ως το όνομα αρχείου. Αποθηκεύστε το αρχείο .csv σε κάποια θέση στον υπολογιστή.</p> <p>Σημείωση: Εάν το παράθυρο της Εξερεύνησης αρχείων δεν ανοίξει αυτόματα, ανοίξτε ένα παράθυρο Εξερεύνησης αρχείων και αναζητήστε μια μονάδα δίσκου με την ονομασία "HQ-Series".</p>
Ιστορικό βαθμονόμησης	Εμφανίζει τα τρέχοντα και προηγούμενα δεδομένα βαθμονόμησης για ένα συνδεδεμένο αισθητήρα.
Διαγραφή δεδομένων	Διαγράφει όλα τα δεδομένα στο αρχείο καταγραφής δεδομένων. Η προστασία με κωδικό πρόσβασης μπορεί να εμποδίσει την πρόσβαση στην επιλογή διαγραφής δεδομένων.

Ενότητα 12 Συντήρηση

▲ ΠΡΟΣΟΧΗ



Πολλαπλοί κίνδυνοι. Μόνο ειδικευμένο προσωπικό πρέπει να εκτελεί τις εργασίες που περιγράφονται σε αυτήν την ενότητα του εγχειριδίου.

12.1 Καθαρισμός του οργάνου

Καθαρίστε το εξωτερικό μέρος της συσκευής με ένα υγρό πανί και ήπιο διάλυμα σαπουνιού και, στη συνέχεια, σκουπίστε τη συσκευή για να την στεγνώσετε, όπως είναι απαραίτητο.

12.2 Αντικατάσταση της μπαταρίας

Αντικαταστήστε την μπαταρία όταν δεν φορτίζει ή δεν διατηρεί τη φόρτιση. Χρησιμοποιείτε μόνο την μπαταρία και το φορτιστή μπαταρίας που παρέχονται από τον κατασκευαστή. Βλ. [Τοποθέτηση μπαταριών](#) στη σελίδα 426.



12.3 Προετοιμασία για αποστολή

Το όργανο περιέχει μια μπαταρία ιόντων λιθίου, η οποία ταξινομείται ως επικίνδυνο υλικό και πρέπει να συμμορφώνεται με τους κανονισμούς περί επικίνδυνων προϊόντων για κάθε τύπο μεταφοράς. Για την αποστολή του οργάνου για επισκευή ή συντήρηση, ακολουθήστε τις παρακάτω διαδικασίες:

- Αποσυνδέστε τους αισθητήρες πριν από την αποστολή.
- Καθαρίστε και απολυμάνετε το όργανο πριν από την αποστολή.
- Για βέλτιστη ασφάλεια, αφαιρέστε την μπαταρία ιόντων λιθίου από τη συσκευή και μην την αποστείλετε. Εάν πρέπει να αποσταλεί η μπαταρία, αφήστε την τοποθετημένη στο περιβλήμα της μπαταρίας, αλλά μην συνδέσετε το περιβλήμα της μπαταρίας στο όργανο. Τοποθετήστε το περιβλήμα της μπαταρίας με την εγκατεστημένη μπαταρία σε ξεχωριστή συσκευασία, ώστε να μην έρχεται σε επαφή με ηλεκτρικά αγώγιμα υλικά (π.χ. μέταλλα).
- Αποστείλετε το όργανο στην αρχική του συσκευασία ή σε μια εναλλακτική προστατευτική συσκευασία.

Ενότητα 13 Αντιμετώπιση προβλημάτων

13.1 Ακολουθήστε τις οδηγίες αντιμετώπισης προβλημάτων που εμφανίζονται στην οθόνη

Το περιβάλλον εργασίας χρήστη διαθέτει οδηγίες αντιμετώπισης προβλημάτων για βοήθεια στη διόρθωση προβλημάτων που μπορεί να προκύψουν κατά τη διάρκεια μετρήσεων, βαθμονομήσεων και επαληθεύσεων. Όταν παρουσιαστεί κάποιο πρόβλημα, στην οθόνη εμφανίζεται το εικονίδιο σφάλματος  ή προειδοποίησης  μαζί με μια σύντομη περιγραφή του προβλήματος. Πατήστε το δεξί βέλος για να δείτε τις συνηθισμένες διαδικασίες για τη διόρθωση του προβλήματος.

Ενότητα 14 Ανταλλακτικά

▲ ΠΡΟΕΙΔΟΠΟΙΗΣΗ



Κίνδυνος τραυματισμού. Η χρήση μη εγκεκριμένων εξαρτημάτων ενδέχεται να προκαλέσει τραυματισμό, ζημιά στο όργανο ή δυσλειτουργία του εξοπλισμού. Τα ανταλλακτικά εξαρτήματα της παρούσας ενότητας είναι εγκεκριμένα από τον κατασκευαστή.

Σημείωση: Οι κωδικοί προϊόντος και οι αριθμοί καταλόγου μπορεί να διαφέρουν σε ορισμένες περιοχές πώλησης. Επικοινωνήστε με τον κατάλληλο διανομέα ή ανατρέξτε στη δικτυακή τοποθεσία της εταιρείας για τα στοιχεία επικοινωνίας.

Ανταλλακτικά

Περιγραφή	Αρ. προϊόντος
Μπαταρία, ιόντων λιθίου, 18650, 3200 mAh, Αγγλική γλώσσα	LEZ015.99.00001
Μπαταρία, ιόντων λιθίου, 18650, 3100 mAh, Κινεζική γλώσσα	LEZ015.80.00001
Καλώδιο, βύσμα USB 2.0 τύπου A σε βύσμα micro τύπου B, 0,91 m (3 ft)	LEZ015.99.00002
Βαλιτσάκι επιτόπιων μετρήσεων για τυπικούς αισθητήρες	LEZ015.99.A001A
Βαλιτσάκι επιτόπιων μετρήσεων για ανθεκτικούς αισθητήρες	LEZ015.99.A002A
Αναδέτης χειρός και τάπες προστασίας από τη σκόνη	LEZ015.99.A005A
Βάση στήριξης με ιμάντα χειρός	LEZ015.99.A003A
Προστατευτική θήκη	LEZ015.99.A004A
Προσαρμογέας ρεύματος USB, 5 VDC, 2 A, 100–240 VAC, ΗΠΑ	LEZ015.99.00006
Προσαρμογέας ρεύματος USB, 5 VDC, 2 A, 100–240 VAC, ΕΕ + ΗΒ	LEZ015.99.00004
Προσαρμογέας ρεύματος USB, 5 VDC, 2 A, 100–240 VAC, Κίνα	LEZ015.99.00005
Προσαρμογέας ρεύματος USB, 5 VDC, 2 A, 100–240 VAC, υπόλοιπος κόσμος	LEZ015.99.00007

Sisukord

- | | | | | | |
|---|---------------------------------|----------------|----|-------------------|----------------|
| 1 | Veebipõhine kasutusjuhend | leheküljel 440 | 8 | Kasutamine | leheküljel 453 |
| 2 | Toote ülevaade | leheküljel 440 | 9 | Arvesti seaded | leheküljel 455 |
| 3 | Tehnilised andmed | leheküljel 441 | 10 | Sondi seadistused | leheküljel 456 |
| 4 | Üldteave | leheküljel 442 | 11 | Andmehaldus | leheküljel 456 |
| 5 | Paigaldamine | leheküljel 444 | 12 | Hooldus | leheküljel 457 |
| 6 | Käivitamine | leheküljel 449 | 13 | Törkeotsing | leheküljel 457 |
| 7 | Kasutajaliides ja navigeerimine | leheküljel 450 | 14 | Varuosad | leheküljel 457 |

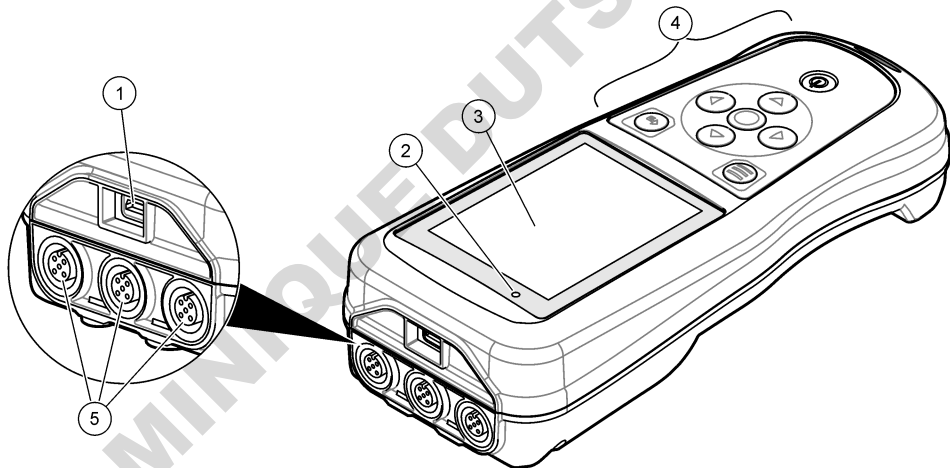
Osa 1 Veebipõhine kasutusjuhend

Põhiline kasutusjuhend sisaldab vähem teavet kui tootja veebilehel saadaolev kasutusjuhend.

Osa 2 Toote ülevaade

HQ-seeria portatiivseid mõõtureid kasutatakse koos Intellical sondidega ühe või mitme veekvaliteedi parameetri mõõtmiseks. Vt [Joonis 1](#). Mõõtur tuvastab ühendatud sondi tüübi automaatselt. Mõõtur saab ühendada arvutiga või USB-salvestusseadmega, et kanda üle mõõturisse salvestatud andmed. Lisavarustuseks olev riistvaralukk Hach Communication Dongle (HCD) ühendab mõõtuuri Claros-iga. HQ-seeria portatiivsed mõõturid on saadaval kaheksa mudelina. [Tabel 1](#) näitab sondide tüüpe, mida saab iga mudeliga ühendada.

Joonis 1 Toote ülevaade



1	Micro-USB liitmik	4	Klaviatuur
2	Valgusdiood näidik	5	Intellical sondipesad (näidatud kolme sondipesaga varianti)
3	Näidik		

Tabel 1 HQ-seeria mõõuri mudelid

Mõõuri mudel	Sondi liitmikud	pH/mV/ORP ¹ sondid	LDO/LBOD ² sondid	Juhtivus ³ sondid	ISE ⁴ sondid
HQ1110	1	✓			
HQ1130	1		✓		
HQ1140	1			✓	
HQ2100	1	✓	✓	✓	
HQ2200	2	✓	✓	✓	
HQ4100	1	✓	✓	✓	✓
HQ4200	2	✓	✓	✓	✓
HQ4300	3	✓	✓	✓	✓

Osa 3 Tehnilised andmed

Tehnilisi andmeid võidakse ette teatamata muuta.

Tehniline näitaja	Üksikasjad
Mõõtmed (P × L × K)	22 x 9,7 x 6,3 cm (8,7 x 3,8 x 2,5 tolli)
Kaal	HQ1110, HQ1130, HQ1140 ja HQ2100: 519 g; HQ2200: 541 g; HQ4100: 530 g ; HQ4200: 550 g; HQ4300: 570 g
Korpuse kaitseklass	IP67, kui akuseksioon on paigaldatud
Energiaallikas (sisemine)	Laetav liitumioonaku 18650 (läbimõõt 18 mm x 65 mm, silindriline), 3,7 VDC, 3200 mAh; aku kasutusaeg: > 1 nädala tavakasutuse korral (10 näitu päevas, 5 päeva nädalas pidevreežiimis või sundlugemise režiimis või > 24 tunni intervallreežiimis 5-minutilise intervalliga ja väljalülitustaimeriga ≤ 15 minutit).
Energiatarve (väline)	Klass II, USB toiteadapter: 100–240 VAC, 50/60 Hz sisend; 5 VDC 2 A USB toiteadapteri väljundil
Mõõuri kaitseklass	IEC klassi III toitega (SELV (lahutatud / väga väike kaitsepinge); USB toiteadapter IEC klassiga II (kahekordse isolatsiooniga)
Töötemperatuur	0 kuni 60 °C (32 kuni 140 °F)
Laadimistemperatuur	10...40 °C
Tööniiskus	90% (mittekondenseeruv)
Säilitustemperatuur	-20 kuni 60 °C (-4 kuni 140 °F), suhteline õhuniiskus kuni 90% (mittekondenseeruv)
Sondi liitmik	5 kontaktiga M12 liitmik Intellical-sondide jaoks
Micro-USB liitmik	Mikro-USB liitmik võimaldab USB-kaabli ja USB-toiteadapteri ühendamist.
Andmelogi (sisemine)	HQ1000 seeria: 5000 andmepunkti; HQ2000 seeria: 10 000 andmepunkti; HQ4000 seeria: 100 000 andmepunkti
Andmete salvestamine	Automaatne salvestamine sundlugemis- ja intervallreežiimis. Käsitsi salvestamine pidevreežiimis.

¹ pH/mV/ORP sondid sisaldavad temperatuuri-

² LDO/LBOD sondid sisaldavad temperatuuri-

³ Juhtivussondid sisaldavad soolsuse, TDS-i (lahustunud tahkiste üldkoguse), eritaktuse ja temperatuuri

⁴ loonselektiivsed sondid, näiteks ammoniaagi, nitraadi, kloriidi, fluoriidi ja naatriumi

Tehniline näitaja	Üksikasjad
Andmete eksportimine	USB-ühendus arvutiga või USB-salvestusseadmega (piiratud salvestusseadme mahuga)
Temperatuuri korrigeerimine	Välja lülitatud, automaatne ja käsitsi (parameetri põhine)
Sertifikaadid	CE, UKCA, FCC, ISED, RCM, KC, ETL kontrollitud: US DOE/ NRCan energiatõhusus, RoHS
Garantii	Seeriad HQ1000 ja HQ2000: 1 aasta (USA), 2 aastat (EÜ); seeria HQ4000: 3 aastat (USA), 3 aastat (EÜ)

Osa 4 Üldteave

Tootja ei vastuta mingil juhul toote väärkasutusest või juhendis olevate juhiste eiramisest tulenevate kahjustuste eest. Tootja jätab endale õiguse igal ajal teha käesolevas kasutusjuhendis ja tootes muudatusi, ilma neist teatamata või kohustusi võtmata. Uuendatud väljaanded on kättesaadavad tootja veebilehel.

4.1 Ohutusteave

Tootja ei vastuta mis tahes kahjude eest, mida põhjustab toote vale kasutamine, sealhulgas (kuid mitte ainult) otsesed, juhuslikud ja tegevuse tulemusest tingitud kahjud, ning ütleb sellistest kahjunõuetest lahti kohaldatava seadusega lubatud täielikul määral. Kasutaja vastutab ainuisikuliselt oluliste kasutusohetude tuvastamise ja sobivate kaitsemeetodite rakendamise eest protsesside kaitsmiseks seadme võimaliku rikke puhul.

Palun lugege enne lahtipakkimist, häälestamist või kasutamist läbi kogu käesolev juhend. Järgige kõiki ohutus- ja ettevaatusjuhiseid. Vastasel juhul võib kasutaja saada raskeid kehavigastusi või võib seade vigastada saada.

Tagage, et seadmega tarnitud ohutusseadised ei ole vigastatud. Ärge kasutage või paigaldage seadet mingil muul viisil kui käesolevas kasutusjuhendis kirjeldatud.

4.2 Ohutusteabe kasutamine

▲ OHT

Näitab võimalikku või vahetult ohtlikku olukorda, mis selle eiramisel põhjustab surma või raskeid vigastusi.

▲ HOIATUS

Näitab võimalikku või vahetult ohtlikku olukorda, mis selle eiramisel võib põhjustada surma või raskeid vigastusi.

▲ ETTEVAATUST

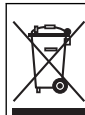
Näitab võimalikku ohtlikku olukorda, mis selle eiramisel võib põhjustada kergeid või keskmisi vigastusi.

TEADE

Tähistab olukorda, mis selle eiramisel võib seadet kahjustada. Eriti tähtis teave.

4.3 Hoiatussildid

Lugege läbi kõik seadmele kinnitatud sildid ja märgised. Juhiste eiramise korral võite saada kehavigastusi või võib seade kahjustada saada. Mõõteriistal olevad sümbolid viitavad kasutusjuhendis esitatud ettevaatusabinõudele.

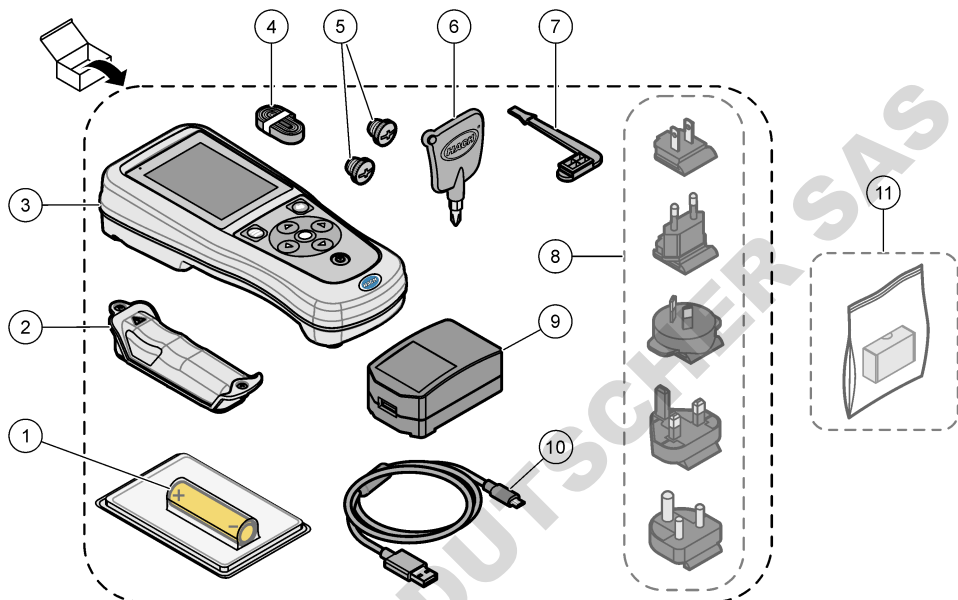


Selle sümboliga tähistatud elektriseadmeid ei tohi käidelda Euroopa kodustes või avalikes jäätmekäitlussüsteemides. Tagastage vanad ja kasutuskõlbmatud seadmed tasuta utiliseerimiseks tootjale.

4.4 Toote osad

Veenduge, et olete kõik osad kätte saanud. Vt [Joonis 2](#). Kui mõned esemed puuduvad või on kahjustatud, pöörduge kohe tootja või müügiesindaja poole.

Joonis 2 Toote osad



1 Laetav liitumioonaku	7 USB-pordi pistik
2 Akusahtel	8 Valikulised toitepistikud
3 Mõõtur	9 USB-toiteadapter
4 Käsirihm	10 USB-kaabel, tüüp A ja USB-micro pistikuga, 1 m
5 Sondide liitmiku pistikud	11 Valikuline riistvaralukk Hach Communication Dongle (HCD)
6 Kruvikeeraja (nr 1 ristpea)	

4.5 Sertifikaadid

Kanada raadiohäireid põhjustavate seadmete määrus, ICES-003, klass A:

Tootja valduses on kinnitavad katseandmed.

See B-klassi digitaalseade vastab kõigile Kanada häireid põhjustavate seadmete määrmise nõuetele.

Cet appareil numérique de classe B répond à toutes les exigences de la réglementation canadienne sur les équipements provoquant des interférences.

FCC 15. osa, klassi "B" piirangud

Tootja valduses on kinnitavad katseandmed. See seade vastab FCC eeskirjade 15. osale.

Kasutamisele kehtivad järgmised tingimused:

1. Seade ei tohi põhjustada kahjulikke häireid.
2. Seade peab vastu võtma mistahes häired, sealhulgas häired, mis võivad põhjustada seadme töös tõrkeid.

Selle seadme muutused või täiendused, mis ei ole nõuetele vastavuse eest vastutava osapoolte poolt heaks kiidetud, võivad tühistada kasutaja õiguse seadet kasutada. Seda seadet on testitud ning on

leitud selle vastavus B-klassi digitaalseadmete piirangutele vastavalt FCC eeskirjade 15. osale. Need piirangud on loodud, et tagada mõistlik kaitse kahjulike häirete eest, kui seda seadet kasutatakse ärikeskkonnas. See seade toodab, kasutab ja võib kiirata raadiosageduslikku energiat ning kui seda ei paigaldata ja ei kasutata vastavalt kasutusjuhendile, võib see põhjustada raadioside häireid. Selle seadme kasutamine elamupiirkonnas põhjustab tõenäoliselt kahjulikke häireid. Sellisel juhul on kasutaja kohustatud häired omal kulul parandama. Häiretega seotud probleemide lahendamiseks võib kasutada järgmisi võtteid:

1. Liigutage seade teistest häiritud seadmetest eemale.
2. Paigutage häiritud seadme vastuvõtuantenn teise asendisse.
3. Proovige eelmiste võtete kombinatsioone.

4.6 Riistvaralukk Hach Communication Dongle (lisavarustus)

Lisavarustuseks olev riistvaralukk Hach Communication Dongle (HCD) kasutab Bluetoothi^{®5} Madala energiatasemega liides Clarosiga suhtlemiseks. Seadme paigaldamisel ja kasutamisel järgige kõiki tootja juhiseid ja hoiatusi. Vt HCD-ga koos tarnitud dokumentatsiooni.

4.7 Ettenähtud kasutusotstarve

▲ ETTEVAATUST



Kemikaalidega kokkupuute oht. Järgige labori ohutusprotseduure ja kasutage käideldavatele kemikaalidele vastavat kaitsevarustust. Ohutuseeskirjad leiata käesolevatelt ohutuskaartidelt (MSDS/SDS).

HQ-seeria portatiivsed mõõturid on ette nähtud isikutele, kes mõõdavad vee kvaliteedi parameetreid laboris või välitingimustes. HQ-seeria mõõturid ei töötle ega muuda vett.

Osa 5 Paigaldamine

▲ OHT



Erinevad ohud. Selles dokumendi osas kirjeldatud toiminguid tohivad teha vaid pädevad töötajad.

5.1 Liitumaku ohutusteave

▲ HOIATUS



Tulekahju ja plahvatusoht. Mittesihtotstarbelisel kasutamisel võivad liitumakud kuumeneda, plahvatada või süttida ja tekitada raskeid kehavigastusi.

- Ärge kasutage nähtavalt kahjustatud akusid.
- Ärge kasutage akut, kui see on tugevalt vibreerinud või saanud tugeva löögi.
- Ärge visake akut tulle ega asetage süüteallikate lähedale.
- Hoidke akut temperatuuril alla 70 °C.
- Hoidke akud kuivad ja veest eemal.
- Vältige aku pluss- ja miinusklemmide lühisesse ajamist.
- Ärge lubage kõrvalistel isikutel akusid puutuda.

⁵ Bluetooth[®]-i sõnamärk ja logod on Bluetooth SIG, Inc. poolt registreeritud kaubamärgid ja HACH kasutab neid litsentsi alusel.

- Täitke aku kasutuselt kõrvaldamisel kohalikke, piirkondlikke ja riiklikke eeskirju.
- Ärge kasutage ega hoidke seadet otsese päikesekiirguse käes, kuumusallikate lähedal ega kõrge temperatuuriga keskkonnas, nt päikese käes olevas suletud sõidukis.

5.2 Aku paigaldamine

▲ HOIATUS



Tulekahju ja plahvatusoht. See seade sisaldab suure energiasaldusega liitumpatareid, mis võib süttida ja põhjustada tulekahju või plahvatuset ka tooteta olekus. Seadme korpuse antava ohutuse säilitamiseks tuleb paigaldada seadme katted ja need kaasasolevate metallkinnitustega kinnitada.

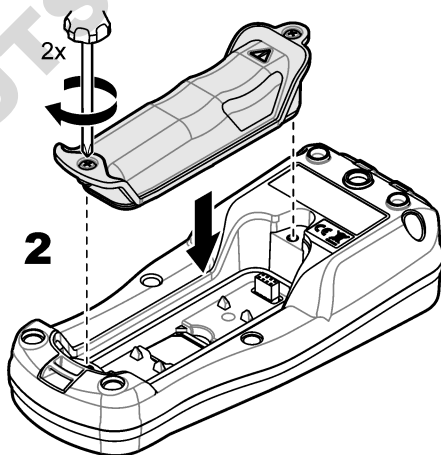
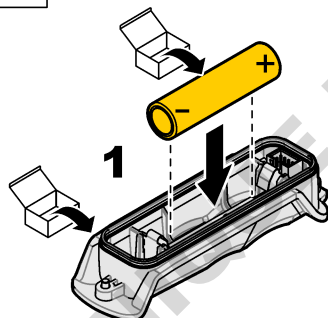
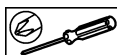
▲ HOIATUS



Plahvatus- ja tuleoht. Patareide asendus pole lubatud. Kasutage vaid seadme tootja tarnitud patareid.

Kasutage ainult tootja tarnitavat laetavat liitumioonakut. Aku paigaldamise ja eemaldamise teavet vt [Joonis 3](#).

Joonis 3 Aku paigaldamine ja eemaldamine



5.3 Aku laadimine

⚠ OHT



Elektrilöögioht. Kui seadet kasutatakse välitingimustes või kohas, kus võib olla märg, tuleb seadme toiteallikaga ühendamisel kasutada maandusahela rikke kaitselülitiit (GFCI/GFI).

⚠ HOIATUS



Tuleoht. Kasutage ainult selle seadme jaoks ette nähtud välist toiteallikat.

⚠ HOIATUS



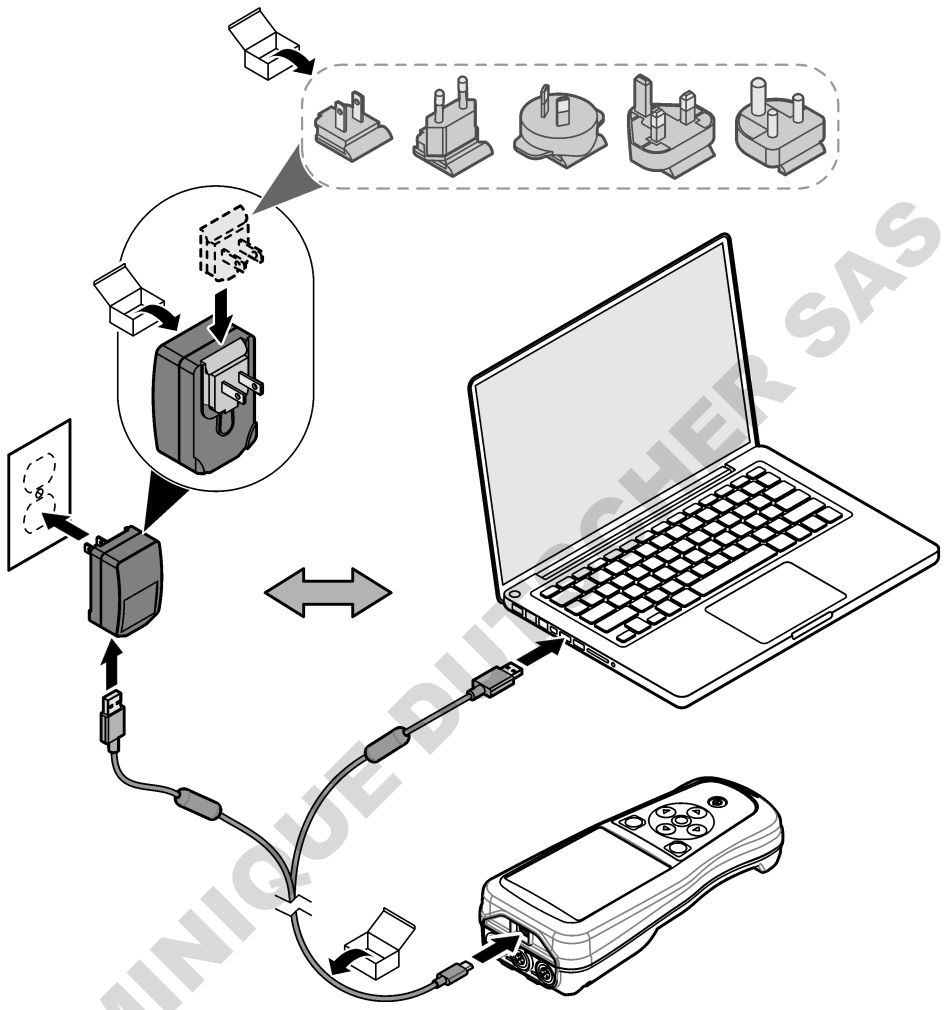
Elektrilöögioht. Mõõtesüsteemis välisseadmed peavad olema läbinud riikliku ohutusstandardi hindamise.

TEADE

Paigaldage alati USB-pordi pistik, kui port ei ole kasutuses, et hoida seda puhtana ja vältida roostetamist. Ärge laadige akut, kui USB-port on märg, must või roostetab. Vt [Sondi ja USB-pordi pistikute paigaldamine](#) leheküljel 448.

Aku laadimiseks kasutage tarnekomplekti kuuluvat USB-kaabliit ja USB toiteadapterit või arvutit. Vt [Joonis 4](#). Kui seadme elektritoide ühendatakse sisse ja vajutatakse toitenuppu, süttib roheline LED-märgutuli. Kasutaja saab seadet aku laadimise ajal kasutada. Tühi aku on täielikult laetud umbes pärast 5-tunnist laadimist, kui kasutatakse USB-toiteadapterit ja seadme toide on välja lülitatud. Paigaldage kindlasti USB-pordi pistik, kui USB-porti ei kasutata. Vt [Sondi ja USB-pordi pistikute paigaldamine](#) leheküljel 448.

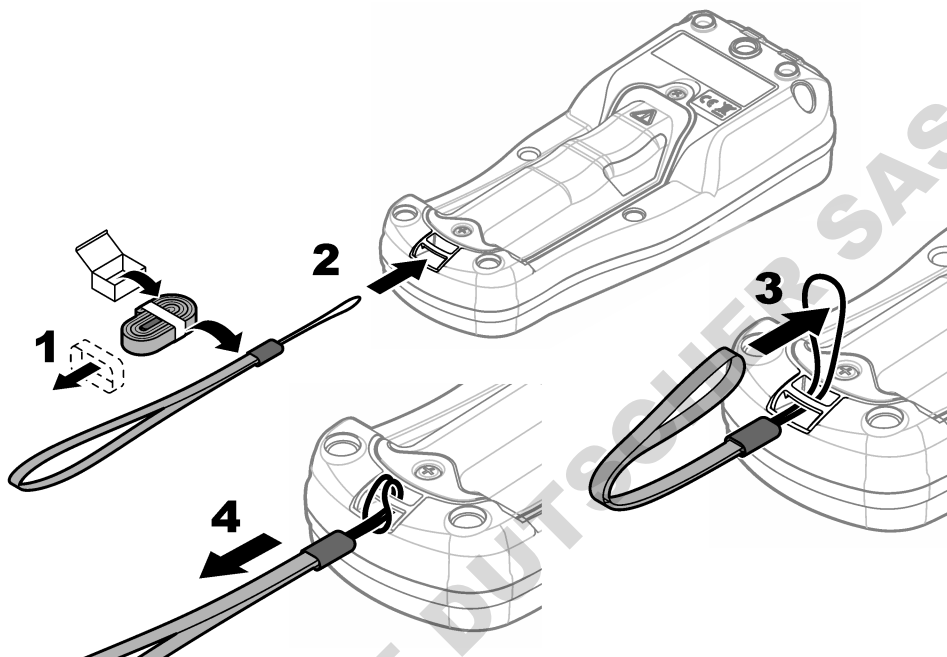
Joonis 4 Ühendage USB-toiteadapter arvutiga.



5.4 Käsirihma paigaldamine

Mõõteri ohutuks hoidmiseks paigaldage käsirihm Vt [Joonis 5](#).

Joonis 5 Käsirihma paigaldamine

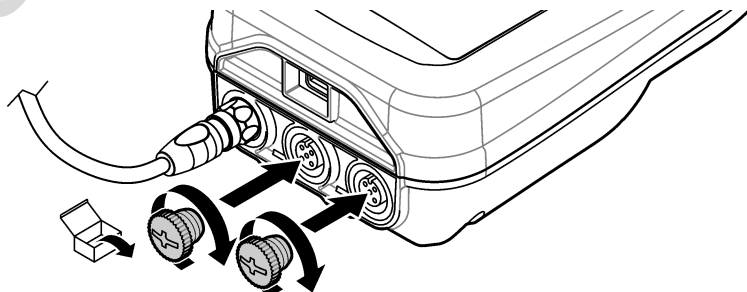


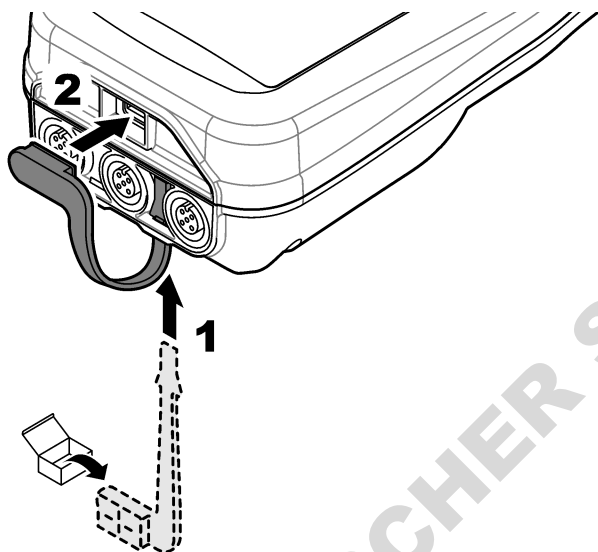
5.5 Sondi ja USB-pordi pistikute paigaldamine

Paigaldage kindlasti pordi pistikud USB- ja sondi portidele, kui pordid ei ole kasutuses, et hoida need puhtana ja vältida roostetamist. Tühjadesse portidesse tuleb paigaldada pordi pistikud, et säilitada seadme korpuse kaitseklassi. Vt [Joonis 6](#) ja [Joonis 7](#).

Märkus. [Joonis 6](#) näitab kolme sondi pordiga mõõurit. Mõnel mõõteri mudelil on ainult üks või kaks sondipesa.

Joonis 6 Pesa pistiku paigaldamine





Osa 6 Käivitamine

6.1 Käivitage mõõdik.

Mõõdiku käivitamiseks vajutage . Kui mõõdik ei käivitu, veenduge, et aku on paigaldatud õigesti või mõõdik on ühendatud toiteallikaga. Vt [Aku laadimine](#) leheküljel 446.

6.2 Keele valimine

Pärast mõõturi esmakordset sisselülitamist või uue aku paigaldamist kuvatakse ekraanil keelevalik. Valige soovitud keel. Kasutaja saab keelt muuta ka menüüs Seadistused.

6.3 Kuupäeva ja kellaaja seadistamine

Pärast mõõturi esmakordset sisselülitamist või uue aku paigaldamist kuvatakse ekraanil kuupäev ja kellaeg. Kuupäeva ja kellaaja seadistamiseks tehke allpool kirjeldatud toimingud.

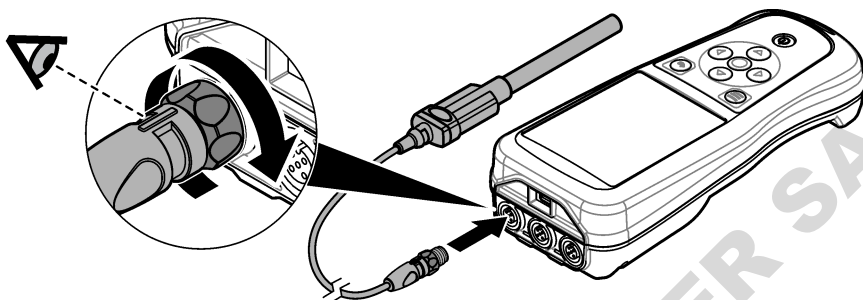
Märkus. Kasutaja saab kuupäeva ja kellaega seada ka menüüs Seadistused.

1. Kuupäeva vormingu valimiseks vajutage üles- ja allanoole nuppe.
2. Kuupäeva ja kellaaja kuvamiseks vajutage paremnoolt.
3. Kuupäeva ja kellaaja muutmiseks vajutage üles- ja allanoole nuppe.
4. Menüüpunkti Salvesta kuvamiseks vajutage paremnoolt.
5. Seadistuste säilitamiseks vajutage nuppu Salvesta.

6.4 Sondi ühendamine

Enne sondi ühendamist seadistage kindlasti kellaaeg ja kuupäev. Sondi ajatempel määratakse sondi esmakordsel mõõtu külge ühendamisel. Ajatempel salvestab automaatselt sondi ajaloo ja mõõtmiste tegemise aja. Sondi ja mõõtu ühendamise kohta vt [Joonis 8](#).

Joonis 8 Ühendage sond mõõturiga



Osa 7 Kasutajaliides ja navigeerimine

Pärast käivitamist ilmub ekraanile avakuva. Vt [Avakuva](#) leheküljel 450. Kasutage saadaolevate variantide hulgas valimiseks ja väärtuste muutmiseks klaviatuuri. Vt [Klahvistik](#) leheküljel 452. Seadistuste ja muude menüüde avamiseks kasutage peamenüüd. Vt [Peamenüü](#) leheküljel 453.

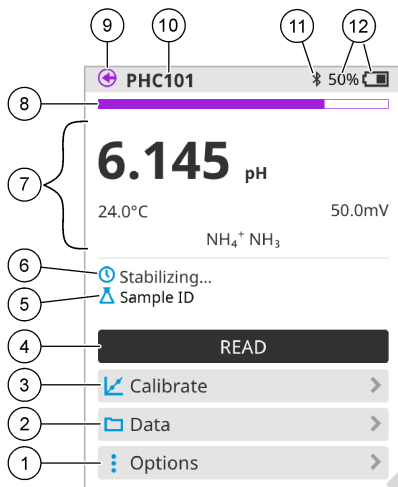
7.1 Avakuva

Ekraanil on avakuva, kui mõõtur on sisse lülitatud ja sond on ühendatud mõõturiga. Vt [Joonis 9](#). Mõõteseadmete mudelitel HQ4100, HQ4200 ja HQ4300 on värvikuvar. Kahe või enama sondipesaga mudelil näitab ekraan kõiki ühendatud sonde. Vt [Joonis 10](#).

Avakuvalt pääseb juurde alljärgnevatele funktsioonidele:

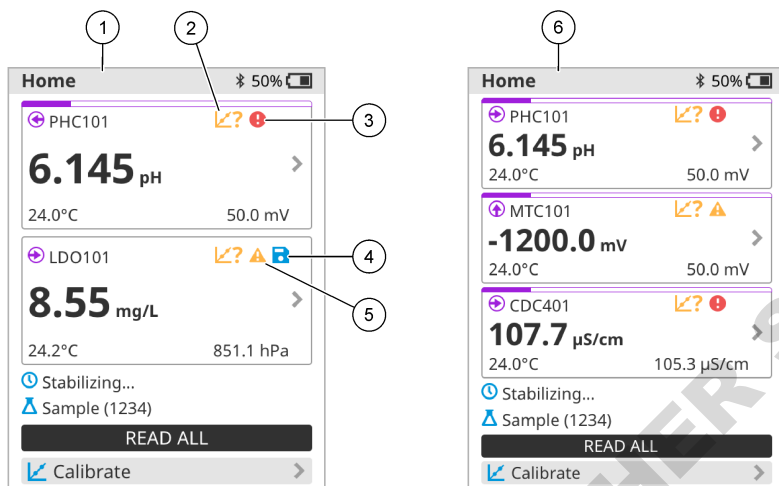
- Proovide mõõtmine
- Proovi mõõtmine
- Kalibreerimise kontrollimine
- Proovi ID seadistamine (identifitseerimine)
- Andmete vaatamine ja haldamine
- Samm-sammuliste juhiste lugemine

Joonis 9 Avakuva näide — üks sond



1 MenüüValikud: annab juurdepääsu juhistele ja muudele menüüdele	7 Mõõteväärtuse valimine: näitab mõõdetud väärtust, temperatuuri ja ühikuid
2 MenüüAndmed: võimaldab andmeid vaadata ja hallata	8 Mõõtmise stabiilsusoleku indikaator: näitab mõõtmise olekut
3 Nupp Kalibreeri: käivitab kalibreerimise	9 Intellical sondi pesa: näitab ühendatud sondi pesa asukohta
4 Nupp Loe: loeb proovi või standardlahuse väärtust	10 Intellical sondi nimi: näitab ühendatud sondi mudeli nime
5 Proovi ID: näitab mõõdetava proovi nime	11 Bluetooth® ikoon (kui on paigaldatud riistvaralukk Hach Communication Dongle): näitab, kui Bluetoothi ühendus on aktiveeritud
6 Mõõtepiirkond: näitab mõõtmise olekut, proovi ID-d, vigu ja hoiatusi	12 Akulaetuse indikaator: näitab aku laadimistaset protsentides

Joonis 10 Avakuva näide — kaks või kolm sondi

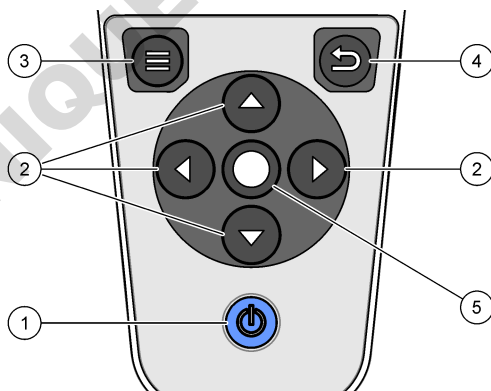


1 Avakuva kahe sondiga	4 Salvestamise ikoon: mõõteandmed on andmelogid
2 Kalibreerimise ikoon: näitab, et kalibreerimist ei aktsepteeritud või see on aegunud	5 Hoiatuse ikoon (vt Tõrkeotsing leheküljel 457)
3 Veateate ikoon (vt Tõrkeotsing leheküljel 457)	6 Avakuva kolme sondiga

7.2 Klahvistik

Klahvistiku kirjeldust vaadake punktist [Joonis 11](#).

Joonis 11 Klahvistiku kirjeldus

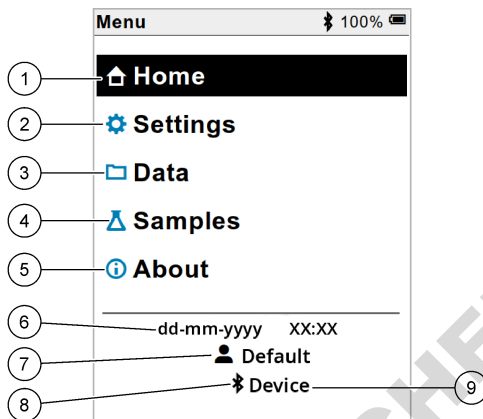


1 Sisse-/väljalülitusklahv	4 Klavh Tagasi
2 Navigeerimisnööd	5 Klavh Vali
3 Klavh Menüü	

7.3 Peamenüü

Peamenüü avamiseks vajutage nuppu . Vt Joonis 12.

Joonis 12 Peamenüü kirjeldus



1 Avaleht	4 Proovi ID menüü	7 Kasutaja ID
2 MenüüSeaded	5 Mõõturi ekraani kohta	8 Bluetooth® ikoon (kui on paigaldatud HCD)
3 MenüüAndmed	6 Kuupäev ja kellaeg	9 Bluetooth® seade (kui on paigaldatud HCD)

Osa 8 Kasutamine

Selles jaotises on toodud mõõturi üldised kasutusjuhised. Lisajuhiste saamiseks lugege mõõturi ekraanil kuvatavaid või sondi kasutusjuhendis toodud juhiseid.

8.1 Mõõtmisproovid


Järgnevad sammud on üldised sammud proovide mõõtmiseks mõõturiga.

1. Valige mõõtmisrežiim. Vt [Arvesti seaded](#) leheküljel 455.
2. Valmistage proov mõõtmiseks ette. Kasutage mõõturi ekraanil kuvatavaid või sondi kasutusjuhendis toodud juhiseid.
3. Mõõtkte proovi allpool kirjeldatud viisil:
 - **Režiimi lugemiseks vajutage nuppu:** Proovi väärtuse mõõtmiseks valige Loe (või Loe kõiki). Mõõtur salvestab väärtuse automaatselt.
 - **Intervallrežiim:** Mõõtmiste alustamiseks vajutage nuppu Alusta (või Alusta kõiki). Mõõtur mõõdab ja salvestab ettenähtud ajaintervalliga proovi väärtuse automaatselt. Mõõtmiste lõpetamiseks vajutage nuppu Peata (või Peata kõik).
 - **Pidevrežiim:** Mõõtur mõõdab proovi väärtust pidevalt. Näidikuekraanil kuvatava väärtuse salvestamiseks valige Salvesta (või Salvesta kõik).

Pärast iga mõõtmist kuvatakse näidikul tulemus. Ikon Salvesta on ekraanil juhul, kui tulemus salvestatakse andmelogis.

8.2 Sondi kalibreerimine


Järgnevad sammud on üldised sammud sondi kalibreerimise kontrollimiseks mõõturiga. Kalibreerimise seadete muutmise kohta vt [Sondi seadistused](#) leheküljel 456.

1. Avakuval valige  Kalibreerimine. Kalibreeri Kui ühendatakse rohkem kui üks sond, valige kalibreeritav sond. Ekraanil kuvatakse kalibreerimiseks kasutatav(ad) lahus(ed).
2. Valmistage puhver- või standardlahus kalibreerimiseks ette. Kasutage mõõdiku ekraanil kuvatavaid või sondi kasutusjuhendis toodud juhiseid.
3. Kalibreerimise alustamiseks valige Loe. Mõõtur mõõdab kalibreerimislahuse väärtust. Kui mõõtmine on lõppenud, ilmub näidikule tulemus.
4. Valige Loe, et mõõta muude puhver- või standardlahuste väärtust (kohaldatavatel juhtudel). Kalibreerimise salvestamiseks valige Salvesta.

Märkus. Kui kalibreerimine ei ole aktsepteeritav, lugege mõõturi ekraanil kuvatavaid või sondi kasutusjuhendis toodud tõrkeotsingu juhiseid.

8.3 Kalibreerimise kontrollimine

Järgnevad sammud on üldised sammud sondi kalibreerimise kontrollimiseks mõõturiga. Kontrollimise seadete muutmise kohta vt [Sondi seadistused](#) leheküljel 456.

1. Avakuval valige Valikud > Verifitseerige kalibreerimine. Ekraanil kuvatakse puhver- või standardlahus, mida kasutatakse kontrollimisel.
- Märkus.** Kui ühendatakse rohkem kui üks sond, valige kontrollitav sond.
2. Valmistage puhver- või standardlahus kontrollimiseks ette. Kasutage mõõturi ekraanil kuvatavaid või sondi kasutusjuhendis toodud juhiseid.
3. Kontrollimise alustamiseks valige Loe. Mõõtur mõõdab kontroll-lahuse väärtust. Kui mõõtmine on lõppenud, ilmub näidikule tulemus.
4. Kui kontrollimine on edukas , valige tulemuse salvestamiseks Salvesta.

Märkus. Kui kontrollimine ei ole aktsepteeritav, lugege ekraanil kuvatavaid või sondi kasutusjuhendis toodud tõrkeotsingu juhiseid.

8.4 Proovi ID lisamine mõõteandmetele


Mõõteseadet saab proovi nime (ID) registreerida koos salvestatud mõõteandmetega. Sisestage mõõteseadmesse mitu kasutajanime, seejärel valige enne proovide mõõtmist kohaldatav kasutajanimi. Mõõteseadet lisab sama nimega proovidele numbreid, näiteks „Proovi nimi (2)“.

1. Vajutage nuppu  ja valige Proovid.
2. Tehke valik.

Säte	Kirjeldus
Proov	Valib proovi nime, millele salvestatakse proovi mõõtmised.
Loo uus proov	Avab proovide uute nimede lisamise kuva. Proovi nimed võivad sisaldada tähti ja numbreid.
Kustuta proovid	Eemaldab proovide nimed.

8.5 Kasutaja ID lisamine salvestatud andmetele

See mõtteseade saab kasutajanime (ID) registreerida koos salvestatud andmetega. Sisestage mõtteseadesse mitu kasutajanime, seejärel valige enne kalibreerimise ja mõõtmiste alustamist kohaldatav kasutajanimi.


1. Vajutage nuppu  ja valige Seaded. Kuvatakse seadete loend.
2. Valige Kasutajad.
3. Tehke valik.

Säte	Kirjeldus
Kasutaja	Valib kasutajanime. Valitud kasutajanime näidatakse peamenüü kuval ja salvestatakse koos registreeritud andmetega.
Loo uus kasutaja	Avab uute kasutajanimede lisamise kuva. Kasutajanimed võivad sisaldada tähti ja numbreid.
Kustuta kasutajad	Eemaldab kasutajanimed.

Osa 9 Arvesti seaded

Mõõturi üldiste sätete muutmiseks tehke järgmised toimingud.

Märkus. Parooliga kaitsmine võib takistada mõnesse menüüsse sissepääsu. Juurdepääsu juhtimise kohta saate teavet veebipõhisest kasutusjuhendist.

1. Vajutage nuppu  ja valige Seaded. Kuvatakse seadete loend.
2. Tehke valik.


Säte	Kirjeldus
[Sondi nimi]	Muudab andurispetsiifilisi sätteid mõõtmiste, kalibreerimise ja kontrollimise jaoks. Ühendatud anduri sätete muutmiseks vaadake jaotist Sondi seadistused leheküljel 456.
Mõõtmisrežiim	Määrab mõõtmiste alustamise. Valikud: Vajuta lugemiseks, Pidev või Intervall. Vajuta lugemiseks: proovit mõõdetakse ainult siis, kui lükatakse nuppu Loe. Andmed salvestatakse andmelogisse automaatselt, kui stabiilsuskriteeriumid on täidetud. Intervall: Proovi mõõdetakse kindlate ajavahemike järel korrapäraste ajavahemike järel. Andmed salvestatakse andmelogisse automaatselt. Pidev: Mõõtur mõõdab prooviväärtust pidevalt. Andmeid salvestatakse andmelogisse ainult siis, kui kasutaja valib Salvesta.
Temperatuur	Seadistab temperatuuriühikud ° C või ° F.
Näidik	Muudab ekraani sätteid. Valikud: Eredus, Tagantvalgustus ja Seiskamine. Eredus: Muudab taustvalgustuse intensiivsust. Valikud: 10–100% (vaikimisi: 50%). Tagantvalgustus: Kui mõõtjat ei kasutata määratud aja jooksul, lülitatakse taustvalgus välja. Valikud: 15 sekundit, 30 sekundit, 1 minut, 5 minutit või Mitte kunagi. Seiskamine: lülitab arvesti välja, kui seda ei kasutata määratud aja jooksul. Valikud: 1 minut, 2 minutit, 5 minutit, 10 minutit, 30 minutit, 1 tund, 2 tundi või Mitte kunagi.
Heli	Seadistab arvesti klahvivajutuste või märguannete ajal heli tekitama. Valikud: Nupuvajutus, Stabiilsuse hoiatus, Meeldetuletus, Tõrke/hoiatuse alarm või (aku) Laadimine on läbi .
Kasutajad	Valib kasutaja, lisab uue kasutaja või kustutab kasutaja.
Kuupäev-Kellaaeg	Seadistab arvesti kuupäeva / kellaaja vormingu, kuupäeva ja kellaaja.
Keel	Seadistab arvesti keele.

Säte	Kirjeldus
Juurdepääs	Määrab parooli, et takistada juurdepääsu anduri sätetele, mõnele mõõturi seadistusele (mõõtmisrežiim, temperatuur, keel) ja tarkvarauhendustele. Paroolita kasutaja ei saa sätteid ega andmeid kustutada, kui pääsukontroll on sisse lülitatud.
Diagnostika	Tehnilise probleemi korral tekitab diagnostikafaili tehnilise toe või teeninduse jaoks. Kasutaja peab faili saamiseks ühendama arvesti arvutiga.

Osa 10 Sondi seadistused

Kui sond on mõõturi ühendatud, saab kasutaja mõõta sondi seadistusi mõõtmiste, kalibreerimiste ja kontrollimiste jaoks. Vaadake toiminguid, mida tuleb järgida, et pääseda ühendatud sondi seadistuste juurde. Seadistuste täieliku kirjelduse leiате mõõturi veebipõhisest kasutusjuhendist.

Märkus. Parooliga kaitsmine võib takistada mõnesse menüüsse sissepääsu. Turvasätete kohta leiате teavet veebipõhisest kasutusjuhendist.

1. Vajutage nuppu  ja valige Seaded. Kuvatakse seadete loend.
2. Valige sondi nimi.
3. Valige kasutatav variant: Mõõtmistulemus, Kalibreerimine või Verifitseerimine.

Osa 11 Andmehaldus

Mõõtur salvestab andmed proovide mõõtmiste, kalibreerimiste ja kontrollimiste kohta allpool kirjeldatud viisil:

- Proovide mõõtmised — Mõõtur salvestab automaatselt proovi mõõdetud andmed, kui mõõtmine on seadistatud sundlugemise režiimi või intervallrežiimi. Kui mõõtmine on seadistatud pidevrežiimi, peab kasutaja proovi andmete salvestamiseks valida käsu Salvesta. Salvestamise ikoon näitab avakuva, kui mõõdetud proovi andmed on andmelogis.
- Kalibreerimisandmed — Kasutaja peab kalibreerimisandmete salvestamiseks valida käsu Salvesta. Kalibreerimisandmed salvestatakse mõõturi ja Intellical-sondis.
- Andmete kontrollimine — Kasutaja peab kontrollimisandmete salvestamiseks valida käsu Salvesta.


Andmete vaatamiseks, eksportimiseks ja kustutamiseks järgige alljärgnevat samme

1. Vajutage nuppu  ja valige Andmed või valige Andmed avakuval.
2. Tehke valik.

Säte	Kirjeldus
Andmete vaatamine	Näitab andmelogis sisalduvaid andmeid. Näitab esimesena kõige uuemaid andmeid. Lisaandmete vaatamiseks vajutage allanoolt. Kalibreerimisikoon näitab, kui andmetüüp on "kalibreerimisandmed". Kontrollimisikoon näitab, kui andmetüüp on "kontrollimisandmed". Andmepunkti kohta lisateabe nägemiseks valige andmerida ja vajutage paremnoolt. Filtri rakendamiseks ja ainult filtreeritud andmete kuvamiseks vajutage vasaknoolt ja valige parameeter, andmetüüp või andmete vahemik.
Andmete eksportimine	Saadab andmelogi kõigi andmete koopia ühendatud arvutisse või USB-salvestusseadmesse. Mõõteseadme ühendamise kohta arvutiga vt Joonis 4 leheküljel 447. Mõõteseadme ühendamiseks standardse USB-salvestusseadmega kasutage micro-USB ja USB tüüp A vahelist adapterit. Alternatiivselt kasutage USB-salvestusseadet, millel on micro-USB liitmik. Kui seade arvutiga ühendatakse, avaneb File Exploreri aken draiviga „HQ-Series“. Laiendage draivi ja otsige üles mõõturi nime ja seerianumbriga alamkaust. Andmefaili näidatakse .csv failina, kus failinimi sisaldab kuupäeva ja kellaega. Salvestage .csv arvutis ettenähtud kohta. Märkus. Kui File Exploreri aken ei avane automaatselt, avage File Exploreri aken ja otsige üles draiv „HQ-Series“.

Säte	Kirjeldus
Kalibreerimise ajalugu	Näitab ühendatud sondi praeguse ja eelmise kalibreerimise andmeid.
Andmete kustutamine	Kustutab andmed andmelogis. Parooliga kaitsmine võib takistada juurdepääsu kustutamise funktsioonile.

Osa 12 Hooldus

▲ ETTEVAATUST	
	Erinevad ohud. Selles dokumendi osas kirjeldatud toiminguid tohivad teha vaid pädevad töötajad.

12.1 Seadme puhastamine

Puhastage seadme pind niiske lapi ja lahja seebilahusega, seejärel kasutage vajaduse korral kuivatamiseks lappi.

12.2 Aku vahetamine

Vahetage aku välja, kui akut ei saa laadida või kui aku tühjeneb liiga kiiresti. Kasutage ainult tootja poolt tarnitud akut ja akulaadijat. Vt [Aku paigaldamine](#) leheküljel 445.


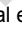
12.3 Transportimiseks ettevalmistamine

Seade sisaldab liitiumioonakut, mida käsitletakse ohtliku materjalina ja mis peab igat tüüpi vedude korral vastama ohtlike kaupade eeskirjadele. Seadme remonti või hooldusse saatmiseks toimige järgmiselt:


- Lahutage enne saatmist sondid.
- Puhastage ja desinfitseerige seade enne transportimist.
- Parima turvalisuse tagamiseks eemaldage seadmest liitiumioonaku ja ärge saatke akut. Kui aku tuleb saata, hoidke aku akukorpuse paigaldatuna, kuid ärge kinnitage akukorpust instrumendi külge. Pange akukorpus koos paigaldatud akuga eraldi pakendisse, et vältida kokkupuudet elektrit juhtivate materjalidega (nt metallidega).
- Transportige seadet originaalpakendis või mõnes muus ohutus kaitsepakendis.

Osa 13 Tõrkeotsing

13.1 Järgige ekraanil kuvatavaid tõrkeotsingu juhiseid

Kasutajaliideses on tõrkeotsingu juhised, mis aitavad lahendada mõõtmise, kalibreerimise ja kontrollimise ajal esineda võivaid probleeme. Probleemi esinemisel ilmub ekraanile tõrke  või hoiatuse  ikoon koos probleemi kirjeldusega. Probleemi lahendamiseks soovitatavate protseduuride vaatamiseks vajutage parempoolset noolt.

Osa 14 Varuosad

▲ HOIATUS	
	Kehavigastuse oht. Heakskiitmata osade kasutamine võib põhjustada kehavigastusi, kahjustada seadet või põhjustada selle talitlushäireid. Selles jaotises kirjeldatud varuosad on tootja heaks kiitnud.

Märkus. Toote- ja artiklinumbrid võivad müügipiirkonniti erineda. Lisateavet saate edasimüüjatelt või firma veebilehelt.

Varuosad

Kirjeldus	Tootekood
Aku, liitiumioon, 18650, 3200 mAh, inglise keel	LEZ015.99.00001
Aku, liitiumioon, 18650, 3100 mAh, hiina keel	LEZ015.80.00001
USB 2.0 kaabel tüüp A pistikuga ja USB-micro pistikuga tüüp B; 0,91 m	LEZ015.99.00002
Standardsete sondide kohver välitöödeks	LEZ015.99.A001A
Suurele koormusele ettenähtud sondide kohver	LEZ015.99.A002A
Käsirihm ja tolmukaitsekorgid	LEZ015.99.A005A
Tugihark käsiklambriga	LEZ015.99.A003A
Kaitsekindad	LEZ015.99.A004A
USB toiteadapter, 5 VDC, 2 A, 100–240 VAC, US	LEZ015.99.00006
USB toiteadapter, 5 VDC, 2 A, 100–240 VAC, EÜ + UK	LEZ015.99.00004
USB toiteadapter, 5 VDC, 2 A, 100–240 VAC, Hiina	LEZ015.99.00005
USB toiteadapter, 5 VDC, 2 A, 100–240 VAC, RIDA	LEZ015.99.00007

جدول المحتويات

8	التشغيل في صفحة 471	1	دليل المستخدم عبر الإنترنت في صفحة 459
9	إعدادات جهاز القياس في صفحة 473	2	نظرة عامة على المنتج في صفحة 459
10	إعدادات المسبار في صفحة 473	3	المواصفات في صفحة 460
11	إدارة البيانات في صفحة 474	4	معلومات عامة في صفحة 461
12	الصيانة في صفحة 474	5	التركيب في صفحة 463
13	استكشاف الأخطاء وإصلاحها في صفحة 475	6	بدء التشغيل في صفحة 467
14	قطع الغيار في صفحة 475	7	واجهة المستخدم والتنقل في صفحة 468

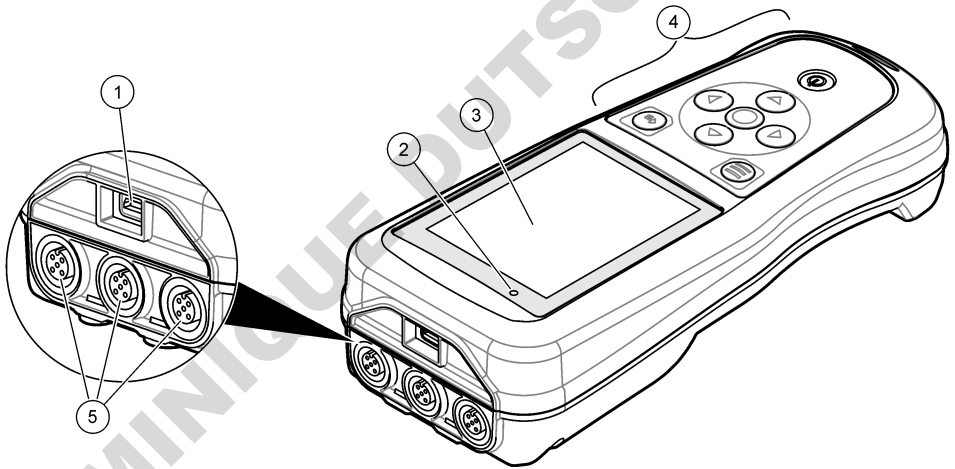
القسم 1 دليل المستخدم عبر الإنترنت

يحتوي دليل المستخدم الأساسي على معلومات أقل من دليل المستخدم، الذي يتوفر على الموقع الإلكتروني للشركة المصنعة.

القسم 2 نظرة عامة على المنتج

يتم استخدام أجهزة القياس المحمولة من الفئة HQ Series مع مسابير Intellical الرقمية لقياس معلمة أو أكثر لجودة المياه. راجع الشكل 1. يتعرف جهاز القياس تلقائيًا على نوع المسبار المتصل. يمكن لجهاز القياس الاتصال بجهاز كمبيوتر أو جهاز تخزين USB لنقل البيانات المحفوظة في جهاز القياس. تقوم وحدة حماية اتصال Hach الاختيارية (HCD) بتوصيل جهاز القياس بـ Claros. تتوفر أجهزة القياس المحمولة من الفئة HQ Series في ثمانية طرازات. يعرض الجدول 1 أنواع المسابير التي يمكن توصيلها بكل طراز.

الشكل 1 نظرة عامة على المنتج



1	موصل Micro-USB	4	Keypad (لوحة المفاتيح)
2	مؤشر LED	5	منافذ مسبار Intellical (معرض خيار ثلاثة منافذ مسبار)
3	الشاشة		

الجدول 1 طرازات جهاز القياس من الفئة HQ Series

طراز جهاز القياس	موصلات المسبار	الرقم الهيدروجيني/مللي فولت/ ORP ¹ درجة الحرارة	LDO/LBOD ² درجة الحرارة	التوصيل ³ درجة الحرارة	ISE (قطب انتقائي للأيونات) ⁴ الصوديوم
HQ1110	1	✓			
HQ1130	1		✓		
HQ1140	1			✓	
HQ2100	1	✓	✓	✓	
HQ2200	2	✓	✓	✓	
HQ4100	1	✓	✓	✓	✓
HQ4200	2	✓	✓	✓	✓
HQ4300	3	✓	✓	✓	✓

القسم 3 المواصفات

تخضع المواصفات للتغيير من دون إشعار.

المواصفات	التفاصيل
الأبعاد (الطول x العرض x الارتفاع)	22 × 9.7 × 6.3 سم (8.7 × 3.8 × 2.5 بوصة)
الوزن	HQ1110 و HQ1130 و HQ1140 و HQ2100: 519 جم (18,3 أونصة)؛ HQ2200: 541 جم (19,1 أونصة)؛ HQ4100: 530 جم (18,7 أونصة)؛ HQ4200: 550 جم (19,4 أونصة)؛ HQ4300: 570 جم (20,1 أونصة)
تصنيف الاحتواء	مع تركيب حجرة البطارية IP67
متطلبات الطاقة (داخلية)	بطارية ليثيوم أيون قابلة لإعادة الشحن 18650 (قطر 18 مم × طول 65 مم، أسطوانية)، 3,7 فولت تيار مستمر، 3200 مللي أمبير/ساعة؛ عمر البطارية: < 5 أسبوع مع الاستخدام العادي (10 قراءات/اليوم، 5 أيام/الأسبوع في وضع Continuous (مستمر) أو Push to read (الضغط للقراءة)، أو < 24 ساعة في وضع Interval (الفواصل الزمني) مع فواصل زمنية مدتها 5 دقائق وموقت إيقاف التشغيل ≥ 15 دقيقة)
متطلبات الطاقة (خارجية)	الفئة II، محول طاقة USB: 100-240 فولت تيار متردد، 60/50 هرتز؛ 5 فولت تيار مستمر عند خرج محول طاقة USB 2 أمبير
فئة حماية جهاز القياس	IEC الفئة III (SELV) (منفصل/أمن بجهد كهربائي منخفض)؛ محول طاقة USB هو IEC الفئة II (عزل مزدوج)
درجة الحرارة في أثناء التشغيل	من 0 إلى 60 درجة مئوية (من 32 إلى 140 درجة فهرنهايت)
درجة حرارة الشحن	من 10 إلى 40 درجة مئوية (من 50 إلى 104 درجات فهرنهايت)
رطوبة التشغيل	90% (بدون تكاثف)
درجة حرارة التخزين	من -20 إلى 60 درجة مئوية (من -4 إلى 140 درجة فهرنهايت)، رطوبة نسبية 90% (بلا تكثف) كحد أقصى
موصل المسبار	موصل M12 ذو 5 سنون للمسابير Intellical
موصل Micro-USB	يتيح موصل micro-USB إمكانية توصيل كابل USB ومحول طاقة USB.
سجل البيانات (داخلي)	سلسلة HQ1000: 5000 نقطة بيانات؛ سلسلة HQ2000: 10000 نقطة بيانات؛ سلسلة HQ4000: 100000 نقطة بيانات
تخزين البيانات	التخزين التلقائي في وضع الضغط عليه لقراءة الأوضاع والفواصل الزمنية. التخزين اليدوي في الوضع المستمر.
تصدير البيانات	اتصال USB بالكمبيوتر أو جهاز تخزين USB (محدود بسعة جهاز التخزين)
تصحيح درجة الحرارة	إيقاف التشغيل، وتلقائي ويدي (خاص بالمعلمات)

1 تحتوي مسابير الرقم الهيدروجيني/مللي فولت/ ORP على مسابير

2 تحتوي مسابير LDO/LBOD على مسابير

3 تحتوي مسابير التوصيل على مسابير الملحوة، TDS (إجمالي المواد الصلبة الذائبة)، المقاومة

4 المسابير الانتقائية الأيونية مثل الأمونيا والنترات والكلوريد والفوريد ومسابير

المواصفات	التفاصيل
الشهادات	،NRCan/DOE المتحدة في الولايات المتحدة ETL: كفاءة الطاقة في الولايات المتحدة ،KC ،RCM ،ISED ،FCC ،UKCA، CE RoHS
الضمان	السلسلة HQ1000 و HQ2000: سنة واحدة (الولايات المتحدة)، ستان (الاتحاد الأوروبي)؛ سلسلة HQ4000: 3 سنوات (الولايات المتحدة)، 3 سنوات (الاتحاد الأوروبي)

القسم 4 معلومات عامة

لن تتحمل الشركة المصنعة بأي حال من الأحوال المسؤولية عن الأضرار الناتجة عن أي استخدام غير لائق للمنتج أو عدم الامتثال للتعليمات الواردة في الدليل. وتحفظ الشركة المصنعة بالحق في إجراء تغييرات على هذا الدليل والمنتجات الموضحة به في أي وقت، دون إشعار أو التزام مسبق. يمكن العثور على الإصدارات التي تمت مراجعتها على موقع الشركة المصنعة على الويب.

4.1 معلومات السلامة

الشركة المصنعة غير مسؤولة عن أية أضرار تنتج عن سوء استخدام هذا المنتج، بما في ذلك على سبيل المثال لا الحصر الأضرار المباشرة والعرضية واللاحقة، وتخلي مسؤوليتها عن مثل هذه الأضرار إلى الحد الكامل المسموح به وفق القانون المعمول به. يتحمل المستخدم وحده المسؤولية الكاملة عن تحديد مخاطر الاستخدام الحرجة وتركيب الآليات المناسبة لحماية العمليات أثناء أي قصور محتمل في تشغيل الجهاز. يُرجى قراءة هذا الدليل بالكامل قبل تفريغ محتويات العبوة أو إعداد هذا الجهاز أو تشغيله. انتبه جيدًا لجميع بيانات الخطر والتنبيه. فإن عدم الالتزام بذلك قد يؤدي إلى إصابة خطيرة تلحق بالمشغل أو تلف بالجهاز. تأكد أن الحماية التي يوفرها هذا الجهاز لم تضعف. تجنب استخدام هذا الجهاز أو تركيبه بأية طريقة بخلاف الموضحة في هذا الدليل.

4.2 استخدام معلومات الخطر

⚠️ خطر
يشير إلى موقف خطير محتمل أو وشيك والذي إذا لم يتم تجنبه، فسوف يؤدي إلى الوفاة أو يتسبب في حدوث إصابة خطيرة.
⚠️ تحذير
يشير إلى موقف خطير محتمل أو وشيك والذي إذا لم يتم تجنبه، فسوف يؤدي إلى الوفاة أو يتسبب في حدوث إصابة خطيرة.
⚠️ تنبيه
يشير إلى موقف خطير محتمل يمكن أن يؤدي إلى إصابة طفيفة أو متوسطة.
إشعار
يشير إلى موقف، إذا لم يتم تجنبه، يمكن أن يؤدي إلى تلف الجهاز. معلومات تتطلب تأكيدًا خاصًا.

4.3 الملصقات الوقائية

اقرأ جميع الملصقات والعلامات المرفقة بالجهاز. فمن الممكن أن تحدث إصابة شخصية أو يتعرض الجهاز للتلف في حال عدم الانتباه لها. ويُشار في الدليل إلى كل رمز على الجهاز من خلال بيان وقائي.

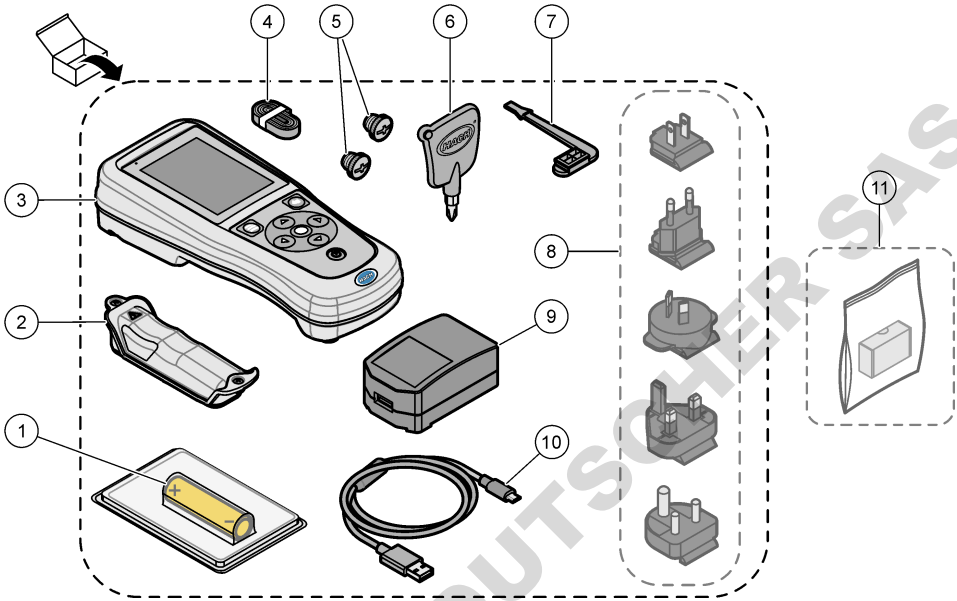
لا يمكن التخلص من الأجهزة الكهربائية التي تحمل هذا الرمز في الأنظمة الأوروبية للتخلص من النفايات المحلية أو العامة. لكن يتم إرجاع الجهاز القديم أو منتهى الصلاحية إلى الشركة المصنعة للتخلص منه بدون أن يتحمل المستخدم أي رسوم.



4.4 مكونات المنتج

تأكد من استلام جميع المكونات. راجع الشكل 2. في حال فقد أي عناصر أو تلفها، اتصل بالشركة المصنعة أو مندوب المبيعات على الفور.

الشكل 2 مكونات المنتج



1	بطارية ليثيوم أيون قابلة لإعادة الشحن	7	قابس منفذ USB
2	حجرة البطارية	8	مقاييس الطاقة الاختيارية
3	جهاز القياس	9	محول طاقة USB
4	حبل العنق اليدوي	10	كابل USB، من Type A إلى micro، 1 متر (3,3 أقدام)
5	مقاييس موصل المسبار	11	وحدة حماية اتصال Hach الاختيارية (HCD)
6	مفك براغي (Phillips رقم 1)		

4.5 الشهادات

اللواح الكندية للأجهزة المسببة للتداخل اللاسلكي، ICES-003، الفئة "ب":

يتوافق مع سجلات الاختبارات التي تجريها الشركة المصنعة.

هذا الجهاز الرقمي من الفئة "ب" يفي بجميع متطلبات اللوائح الكندية للأجهزة المسببة للتداخل.

Cet appareil numérique de classe B répond à toutes les exigences de la réglementation canadienne sur les équipements provoquant des interférences.

الفقرة 15 من قواعد لجنة الاتصالات الفيدرالية، قيود الفئة "ب"

يتوافق مع سجلات الاختبارات التي تجريها الشركة المصنعة. يتوافق الجهاز مع الفقرة 15 من قواعد لجنة الاتصالات الفيدرالية. تخضع عملية التشغيل للشروطين التاليين:

1. قد لا يتسبب الجهاز في حدوث تداخل ضار.
2. يجب أن يتقبل الجهاز أي تداخل وارد، بما في ذلك التداخل الذي قد يؤدي إلى تشغيل غير مرغوب فيه.

إن إحداث تغييرات أو إدخال تعديلات على هذا الجهاز بدون الاعتماد الصريح بذلك من الجهة المسؤولة عن التوافق من شأنه أن يبطل حق المستخدم في تشغيل الجهاز. خضع هذا الجهاز للاختبارات وتُثبت أنه يمثل لقيود الأجهزة الرقمية من الفئة "ب"، والمطابقة للجزء 15 من قواعد لجنة الاتصالات الفيدرالية (FCC). إن الغرض من هذه القيود هو توفير حماية معقولة من أي تداخل ضار عند تشغيل الجهاز في بيئة تجارية. يوكد هذا الجهاز طاقة من الترددات اللاسلكية ويستخدمها ومن الممكن أن يشعها كذلك، وإذا لم يتم تركيبه واستخدامه وفقاً لدليل

الإرشادات، فقد يتسبب في حدوث تداخل ضار مع الاتصالات اللاسلكية. قد يؤدي تشغيل هذا الجهاز في منطقة سكنية إلى حدوث تداخل ضار، وفي هذه الحالة يتعين على المستخدم تصحيح هذا التداخل على نفقته الخاصة. يمكن استخدام الأساليب التالية للحد من مشكلات التداخل:

1. انقل الجهاز بعيداً عن الجهاز الذي يستقبل التداخل.
2. عدّل موضع هوائي الاستقبال الخاص بالجهاز الذي يستقبل التداخل.
3. جرّب مجموعات مما تم ذكره أعلاه.

4.6 وحدة حماية اتصال Hach (اختيارية)

تستخدم وحدة حماية اتصال Hach (HCD) الاختيارية تقنية Bluetooth®5 طاقة منخفضة للاتصال بـ Claros. اتبع كل إرشادات الشركة المصنعة والتحذيرات لتنصيب الجهاز وتشغيله. راجع الوثائق المرفقة مع HCD.

4.7 الاستخدام المقصود



⚠️ تنبيه	
خطر التعرض الكيميائي. التزم بإجراءات الأمان المعملية وارثد جميع معدات الحماية الشخصية المناسبة للمواد الكيميائية التي يتم التعامل معها. اطلع على صيغائف بيانات سلامة المواد (MSDS/SDS) الحالية للتعرف على بروتوكولات السلامة.	

تم تصميم أجهزة القياس المحمولة من الفئة HQ للاستخدام من قبل الأفراد الذين يقومون بقياس معلمات جودة المياه في المختبر أو في الميدان. لا تعالج أجهزة القياس من السلسلة HQ المياه أو تغيّر ها.

القسم 5 التركيب

⚠️ خطر	
مخاطر متعددة. يجب عدم إجراء المهام الموضحة في هذا القسم من المستند إلا بواسطة الموظفين المؤهلين لذلك فقط.	

5.1 أمان بطارية الليثيوم

⚠️ تحذير	
خطر حدوث حريق أو انفجار. قد تصبح بطاريات الليثيوم ساخنة أو قد تنفجر أو تشتعل وتتسبب في إلحاق إصابات خطيرة في حالة تعرضها لظروف إساءة الاستخدام.	 

- لا تستخدم البطارية إذا كان هناك ضرر مرئي.
- لا تستخدم البطارية بعد الصدمة القوية أو حدوث اهتزاز.
- لا تعرّض البطارية للنار أو الإشعاع.
- احتفظ بالبطارية عند درجة حرارة أقل من 70 درجة مئوية (158 درجة فهرنهايت).
- احتفظ بالبطارية جافة وبعيدة عن المياه.
- امنع التلامس بين طرفي البطارية الموجب والسالب.
- لا تسمح للأشخاص غير المصرح لهم بملامسة البطارية.
- تخلص من البطارية وفقاً للوائح المحلية والإقليمية والوطنية.
- لا تستخدم الجهاز أو تخزنه في ضوء الشمس المباشر أو بالقرب من مصدر للحرارة أو في بيئات ذات درجة حرارة عالية مثل مركبة مغلقة معرضة لضوء الشمس المباشر.

⁵ إن علامة كلمة Bluetooth® وشعاراتها هي علامات تجارية مسجلة لمولكة لشركة Bluetooth SIG, Inc. وأي استخدام لهذه العلامات من قِبل HACH يتم بموجب ترخيص.

5.2 تركيب البطاريات

⚠ تحذير

خطر حدوث حريق أو انفجار. يحتوي هذا الجهاز على بطارية عالية الطاقة من الليثيوم يمكن أن تشتعل وتحدث حريقاً أو انفجاراً، حتى ولو لم يكن الجهاز موصلاً بالطاقة. للحفاظ على السلامة التي توفرها علبة الجهاز، يجب تثبيت أغطيته وإغلاقها بإحكام باستخدام المكونات المرفقة.



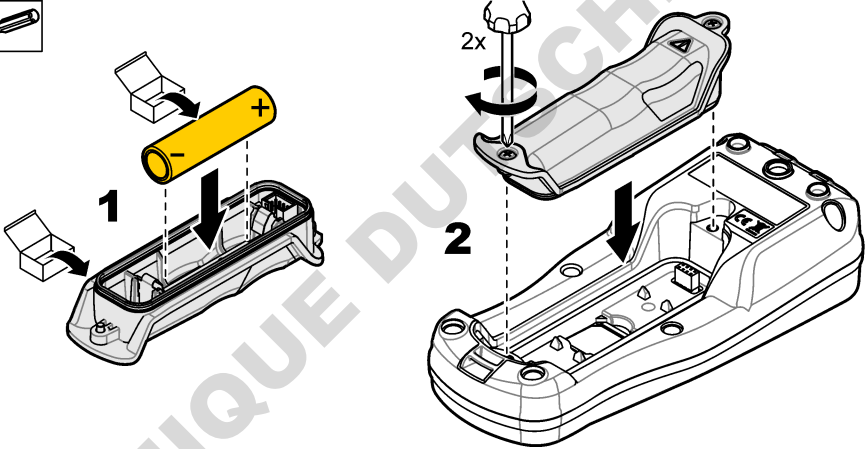
⚠ تحذير

خطر حدوث حريق أو انفجار. لا يُسمح باستبدال البطارية. لا تستخدم سوى البطاريات المزودة من الشركة المصنعة للجهاز.



لا تستخدم سوى بطارية ليثيوم أيون القابلة لإعادة الشحن التي توفرها الجهة المصنعة. راجع الشكل 3 للتعرف على تركيب البطارية أو إزالتها.

الشكل 3 تركيب البطارية وإزالتها



5.3 شحن البطارية

⚠ خطر

خطر الصعقات الكهربائية. إذا تم استخدام هذا الجهاز في أماكن مفتوحة أو في مواقع يُحتمل أن تكون مبللة، فيجب استخدام جهاز قاطع الدائرة للحماية من التسرب الأرضي (GFCI/GFI) لتوصيل الجهاز بمصدر الطاقة الرئيسي الخاص به.



⚠ تحذير

خطر نشوب حريق. لا تستخدم سوى مصدر الطاقة المحدد لهذا الجهاز.



⚠ تحذير

خطر التعرض لصدمة كهربائية. يجب أن يشتمل الجهاز الذي يتم توصيله خارجياً على تقييم معايير السلامة المعمول به داخل البلد.

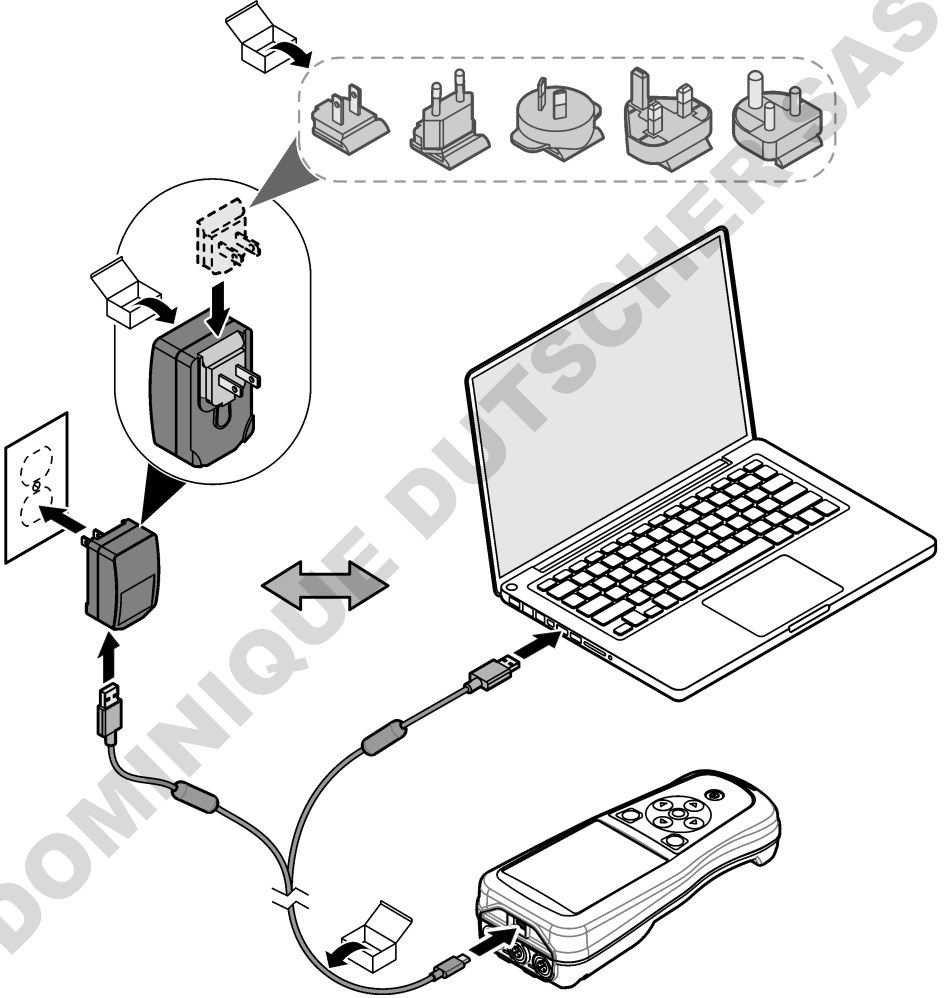


إشعار

احرص دوماً على تركيب سداة منفذ USB في حال عدم استخدام المنفذ من أجل الحفاظ على نظافة المنفذ وحمايته من التآكل. تجنب شحن البطارية في حال بلل منفذ USB أو اتساخه أو تأكله. ارجع إلى تركيب سدائتي منفذ USB والمسبار في صفحة 466.

استخدم كابل USB ومحول طاقة USB المتوفر أو كمبيوتر لشحن البطارية. ارجع إلى الشكل 4. عندما يتصل جهاز القياس بالطاقة ويتم الضغط على مفتاح التشغيل/إيقاف التشغيل، يضيء مؤشر LED الأخضر. يمكن للمستخدم تشغيل الجهاز أثناء شحن البطارية. تصبح البطارية التي لا يتم شحنها مشحونة بالكامل بعد 5 ساعات تقريباً من استخدام محول طاقة USB وإيقاف تشغيل طاقة الجهاز. تأكد من تركيب سداة منفذ USB في حال عدم استخدام منفذ USB. ارجع إلى تركيب سدائتي منفذ USB والمسبار في صفحة 466.

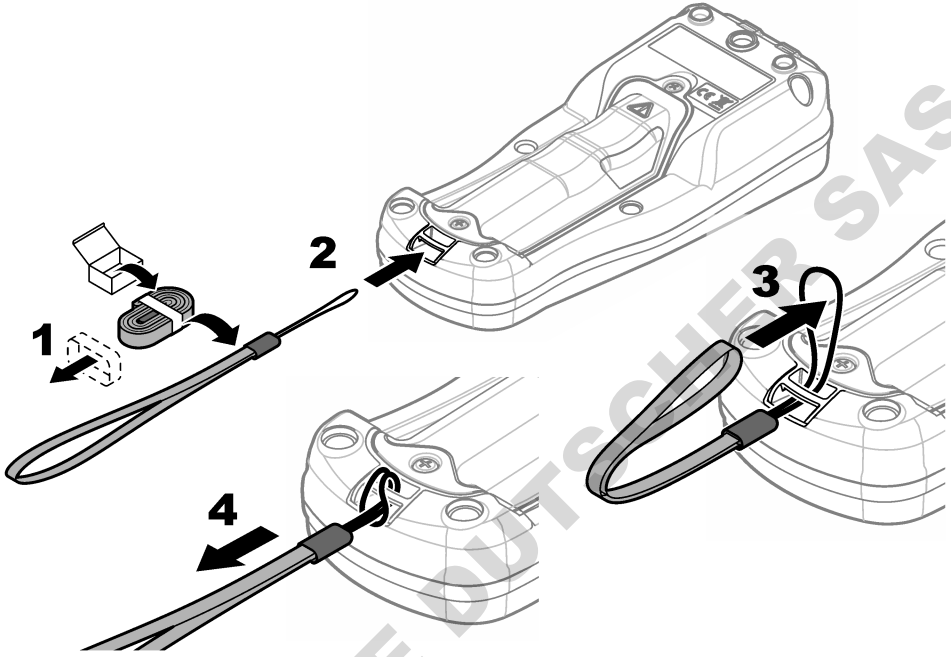
الشكل 4 التوصيل بمحول طاقة USB أو كمبيوتر شخصي



5.4 قم بتركيب حبل العنق

قم بتركيب حبل العنق لثبيت جهاز القياس بأمان. راجع الشكل 5.

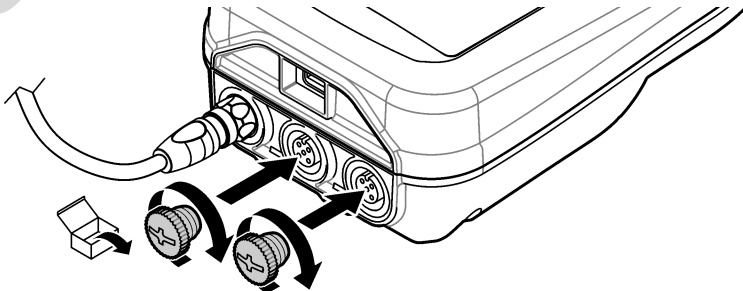
الشكل 5 تركيب حبل العنق

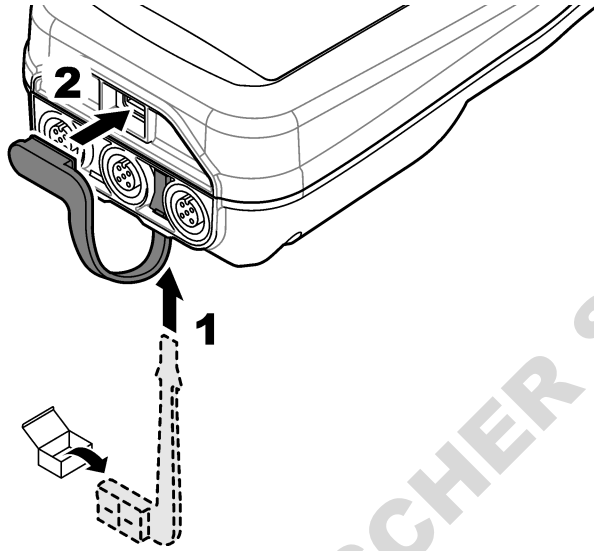


5.5 تركيب سدادتي منفذَي USB والمسبار

تأكد من تركيب سدادتي المنفذين في منفذَي USB والمسبار في حال عدم استخدام المنفذين من أجل الحفاظ على نظافتهما وحمايتهما من التآكل. يجب تركيب سدادتي المنفذين في المنفذين الفارغين للحفاظ على قيمة تصنيف الغطاء الخاص بالجهاز. ارجع إلى الشكل 6 و الشكل 7. ملاحظة: الشكل 6 يعرض جهاز قياس به ثلاثة منافذ للمسبار. تحتوي بعض طرز جهاز القياس على منفذ مسبار واحد أو منفذين فقط.


الشكل 6 تركيب سدادة المنفذ





القسم 6 بدء التشغيل

6.1 بدء تشغيل جهاز القياس

اضغط على  لبدء تشغيل جهاز القياس. إذا لم يبدأ تشغيل جهاز القياس، فتأكد من تثبيت البطارية بشكل صحيح أو توصيل جهاز القياس بمصدر طاقة. راجع [شحن البطارية](#) في صفحة 464.

6.2 تحديد اللغة

عند تشغيل جهاز القياس للمرة الأولى أو عند تركيب بطارية جديدة، تعرض الشاشة شاشة تحديد اللغة. حدد اللغة المناسبة. كما يمكن للمستخدم تغيير اللغة من قائمة Settings (الإعدادات).

6.3 تعيين التاريخ والوقت

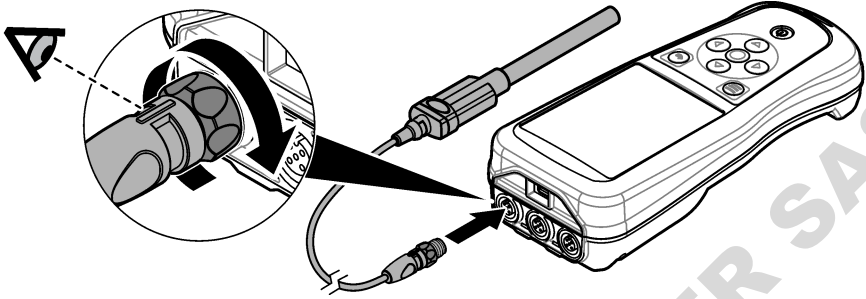
عند تشغيل جهاز القياس للمرة الأولى أو عند تركيب بطارية جديدة، تعرض شاشة العرض شاشة Date-Time (التاريخ-الوقت). أكمل الخطوات التالية لتعيين التاريخ والوقت.
ملاحظة: كما يمكن للمستخدم تغيير التاريخ والوقت من قائمة Settings (الإعدادات).

1. اضغط على مفتاحي السهمين لأعلى ولأسفل لتحديد تنسيق تاريخ.
2. اضغط على السهم الأيمن للانتقال إلى التاريخ والوقت.
3. اضغط على مفتاحي السهمين لأعلى ولأسفل لتغيير التاريخ والوقت.
4. اضغط على السهم الأيمن لتمييز Save (حفظ).
5. حدد Save (حفظ) للاحتفاظ بالإعدادات.

6.4 توصيل مسبار

تأكد من تعيين الوقت والتاريخ في جهاز القياس قبل توصيل المسبار. يتم تعيين الطابع الزمني للمسبار عند توصيل المسبار بجهاز القياس لأول مرة. يقوم الطابع الزمني تلقائيًا بتسجيل تاريخ المسبار والوقت الذي يتم فيه إجراء القياسات. راجع الشكل 8 لتوصيل مسبار بجهاز القياس.

الشكل 8 توصيل مسبار بجهاز القياس



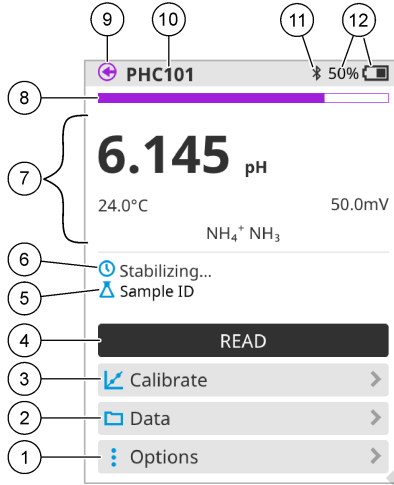
القسم 7 واجهة المستخدم والتنقل

بعد بدء التشغيل، تقوم الشاشة بعرض الشاشة الرئيسية. راجع الشاشة الرئيسية في صفحة 468. استخدم لوحة المفاتيح لتحديد الخيارات المتوفرة ولتغيير القيم. راجع Keypad (لوحة المفاتيح) في صفحة 470. استخدم القائمة الرئيسية للانتقال إلى الإعدادات والقوائم الأخرى. راجع القائمة الرئيسية في صفحة 471.

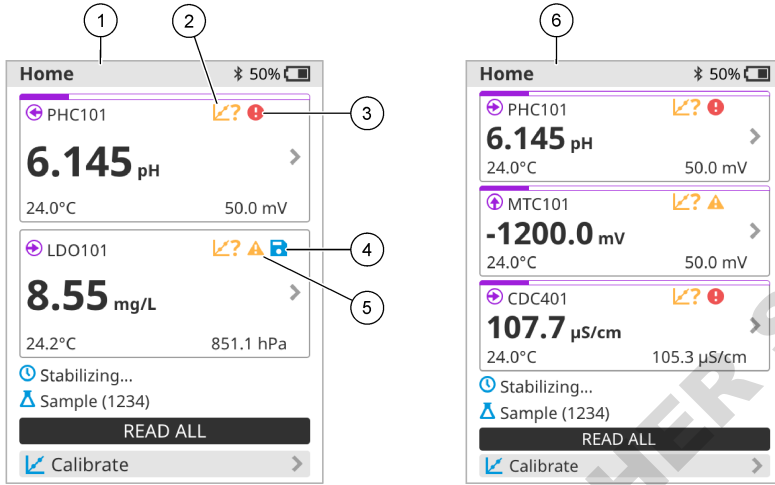
7.1 الشاشة الرئيسية

تظهر الشاشة الرئيسية عندما يكون جهاز القياس قيد التشغيل وهناك مسبار متصل بجهاز القياس. راجع الشكل 9. تحتوي طرازات HQ4100، HQ4200، وHQ4300 على شاشة ملونة. بالنسبة للطرازات التي تحتوي على منفذين أو ثلاثة منافذ للمسبار، تعرض الشاشة كل المسابير المتصلة. راجع الشكل 10. تتوفر المهام التالية من الشاشة الرئيسية:

- قياس العينات
- معايرة مسبار
- التحقق من المعايرة
- تعيين معرفات العينات (تعريف)
- عرض البيانات وإدارتها
- قراءة الإرشادات خطوة بخطوة



1	قائمة Options (الخيارات): تتيح الوصول إلى الإرشادات والقوائم الأخرى	7	قسم Measurement value (قيمة القياس): يعرض القيمة المقیسة ودرجة الحرارة والوحدات
2	قائمة Data (البيانات): تتيح الوصول لعرض البيانات وإدارتها	8	مؤشر Measurement stability status (حالة استقرار القياس): يعرض حالة القياس
3	زر Calibrate (معايرة): لبدء المعايرة	9	منفذ المسبار Intellical: يعرض موقع منفذ المسبار المتصل
4	زر Read (قراءة): لقراءة العينة أو قيمة المحلول القياسية	10	اسم المسبار Intellical: يعرض اسم طراز المسبار المتصل
5	معرف العينة: يعرض اسم العينة التي تم قياسها	11	رمز Bluetooth® (في حال تركيب Hach Communication Dongle (وحدة حماية اتصال Hach)): يظهر عندما يكون اتصال Bluetooth نشطاً
6	منطقة Message (الرسالة): تعرض حالة القياس ومعرف العينة والأخطاء والتحذيرات	12	مؤشر Battery charge (شحن البطارية): يوضح النسبة المئوية لشحن البطارية

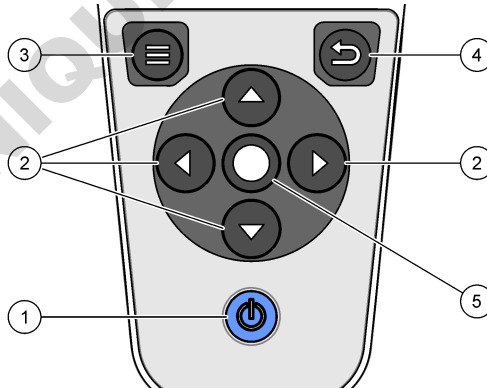


1	شاشة رئيسية مع مسبارين	4	رمز Save (حفظ): بيانات القياس موجودة في سجل البيانات
2	رمز Calibrations (المعايرات): يشير إلى أن المعايرة لم يتم قبولها أو انتهت صلاحيتها	5	رمز Warning (تحذير) (راجع استكشاف الأخطاء وإصلاحها في صفحة 475)
3	رمز Error (خطأ) (راجع استكشاف الأخطاء وإصلاحها في صفحة 475)	6	شاشة رئيسية مع ثلاثة مسابرين

Keypad 7.2 (لوحة المفاتيح)


راجع الشكل 11 للحصول على وصف لوحة المفاتيح.

الشكل 11 وصف لوحة المفاتيح

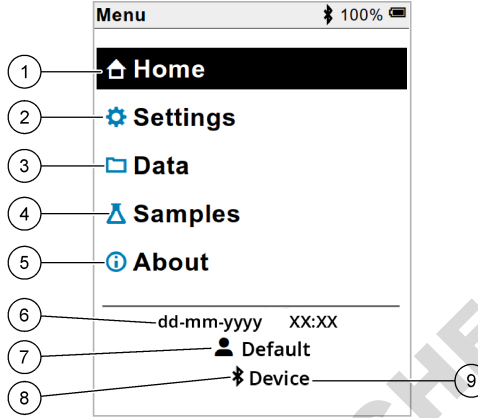


1	مفتاح التشغيل/إيقاف التشغيل	4	مفتاح Back (الرجوع)
2	أسهم التنقل	5	مفتاح Select (تحديد)
3	مفتاح Menu (القائمة)		

7.3 القائمة الرئيسية

اضغط على  للانتقال إلى القائمة الرئيسية. راجع الشكل 12.

الشكل 12 وصف القائمة الرئيسية



1 شاشة Home (الرئيسية)	4 قائمة Sample ID (معرف العينة)	7 User ID (معرف المستخدم)
2 قائمة Settings (الإعدادات)	5 شاشة About meter (حول جهاز القياس)	8 رمز Bluetooth® (في حال تثبيت HCD)
3 قائمة Data (البيانات)	6 Date and time (التاريخ والوقت)	9 معرف جهاز Bluetooth® (في حال تثبيت HCD)

القسم 8 التشغيل

يقدم هذا القسم تعليمات التشغيل العامة لجهاز القياس. للحصول على مزيد من التعليمات الكاملة، راجع الإرشادات التي تظهر على الشاشة في جهاز القياس أو في دليل المستخدم الخاص بالمسبار.

8.1 قياس العينات

الخطوات التالية هي خطوات عامة لقياس العينات باستخدام جهاز القياس.

1. حدد وضع القياس. راجع إعدادات جهاز القياس في صفحة 473.
2. قم بتحضير العينة للقياس. راجع الإرشادات التي تظهر على الشاشة في جهاز القياس أو في دليل المستخدم الخاص بالمسبار.
3. قم بقياس العينة كما يلي:

- **اضغط للانتقال إلى وضع القراءة:** حدد Read (قراءة) (أو Read all (قراءة الكل)) لقياس قيمة العينة. يحفظ جهاز القياس القيمة تلقائيًا.
 - **Interval mode (وضع الفاصل الزمني):** حدد بدء (أو بدء الكل) لبدء القياسات. يقوم جهاز القياس تلقائيًا بقياس قيمة العينة وحفظها في الفواصل الزمنية المحددة. حدد Stop (إيقاف) (أو Stop all (إيقاف الكل)) لإيقاف القياسات.
 - **Continuous mode (الوضع المتواصل):** يقبس جهاز القياس قيمة العينة باستمرار. حدد Save (حفظ) (أو Save all (حفظ الكل)) لحفظ القيمة التي تظهر على شاشة العرض.
- بعد كل قياس، تعرض الشاشة النتيجة. يظهر رمز Save (حفظ) على شاشة العرض إذا تم حفظ النتيجة في سجل البيانات.

8.2 معايرة مسبار

الخطوات التالية هي خطوات عامة لمعايرة المسبار باستخدام جهاز القياس. لتغيير إعدادات المعايرة، راجع إعدادات المسبار في صفحة 473.

1. من الشاشة الرئيسية، حدد **Calibrate** (معايرة). إذا تم توصيل أكثر من مسبار واحد، فحدد المسبار المراد معايرته. تعرض الشاشة المحلول (المحاليل) المطلوب استخدامه للمعايرة.
 2. قم بإعداد المخازن المؤقتة أو الحلول القياسية للمعايرة. استخدم الإرشادات التي تظهر على الشاشة في جهاز القياس أو في دليل المستخدم الخاص بالمسبار.
 3. حدد **Read** (قراءة) لبدء المعايرة. يقيس جهاز القياس قيمة محلول المعايرة. عند اكتمال القياس، تعرض الشاشة النتيجة.
 4. حدد **Read** (قراءة) لقياس قيمة المخازن المؤقتة الأخرى أو الحلول القياسية، إن أمكن. حدد **Save** (حفظ) لحفظ المعايرة.
- ملاحظة:** إذا لم يتم قبول المعايرة، فراجع الإرشادات التي تظهر على الشاشة لاستكشاف الأخطاء وإصلاحها في جهاز القياس أو في دليل المستخدم الخاص بالمسبار.


8.3 التحقق من المعايرة

الخطوات التالية هي خطوات عامة للتحقق من معايرة المسبار باستخدام جهاز القياس. لتغيير إعدادات التحقق، راجع إعدادات المسبار في صفحة 473.

1. من الشاشة الرئيسية، حدد **Options** (الخيارات) **< Verify calibration** (التحقق من المعايرة). تعرض الشاشة المخزن المؤقت أو المحلول القياسي الذي يجب استخدامه للتحقق.
 - ملاحظة:** إذا تم توصيل أكثر من مسبار واحد، فحدد المسبار المراد التحقق منه.
 2. قم بتحصير المخزن المؤقت أو المحلول القياسي للتحقق. استخدم الإرشادات التي تظهر على الشاشة في جهاز القياس أو في دليل المستخدم الخاص بالمسبار.
 3. حدد **Read** (قراءة) لبدء التحقق. يقيس جهاز القياس قيمة المحلول للتحقق. عند اكتمال القياس، تعرض الشاشة النتيجة.
 4. إذا نجح التحقق، فحدد **Save** (حفظ) لحفظ النتيجة.
- ملاحظة:** إذا لم يتم قبول التحقق، فراجع الإرشادات التي تظهر على الشاشة لاستكشاف الأخطاء وإصلاحها في جهاز القياس أو في دليل المستخدم الخاص بالمسبار.

8.4 تضمين معرف العينة مع بيانات القياس


يمكن للجهاز حفظ اسم عينة (المعرف) مع بيانات القياس المخزنة. أدخل أسماء عينات متعددة في الجهاز، ثم حدد اسم العينة المناسب قبل قياس العينات. يضيف الجهاز أرقامًا إلى العينات التي تحمل الاسم نفسه، على سبيل المثال، "اسم العينة (2)".

1. اضغط على  وحدد **Samples** (العينات).
2. حدد أحد الخيارات.

الخيار	الوصف
Sample (العينة)	لتحديد اسم العينة الذي تريد حفظه مع قياسات العينات.
Create new sample (إنشاء عينة جديدة)	لفتح شاشة لإضافة أسماء عينات جديدة. يمكن أن تتضمن أسماء العينات حروفًا وأرقامًا.
Delete samples (حذف العينات)	لإزالة أسماء العينات.

8.5 تضمين معرف المستخدم مع البيانات المخزنة

يمكن أن يسجل الجهاز اسم مستخدم (المعرف) مع البيانات المخزنة. أدخل أسماء مستخدمين متعددة في الجهاز، ثم حدد اسم المستخدم المناسب قبل بدء المعايرات أو القياسات.


1. اضغط على  وحدد **Settings** (الإعدادات). تظهر قائمة الإعدادات.
2. حدد **Users** (المستخدمون)
3. حدد أحد الخيارات.

الخيار	الوصف
User (المستخدم)	لتحديد اسم المستخدم. يظهر اسم المستخدم المحدد على شاشة القائمة الرئيسية ويتم حفظه مع البيانات المخزنة.

الخيار	الوصف
جدید) Create new user (إنشاء مستخدم	افتح شاشة لإضافة أسماء مستخدمين جديدة. يمكن أن تتضمن أسماء المستخدمين أحرفًا وأرقامًا.
Delete users (حذف المستخدمين)	إزالة أسماء المستخدمين.

القسم 9 إعدادات جهاز القياس

أكمل الخطوات التالية لتغيير الإعدادات العامة لجهاز القياس.
ملاحظة: قد تمنع الحماية بكلمة مرور الوصول إلى بعض القوائم. راجع دليل المستخدم عبر الإنترنت للحصول على معلومات حول التحكم في الوصول.


1. اضغط على  وحدد Settings (الإعدادات). تظهر قائمة الإعدادات.
2. حدد أحد الخيارات.

الخيار	الوصف
[اسم المسبار]	تغيير الإعدادات الخاصة بالمسبار للقياسات والمعايرة والتحقق. راجع إعدادات المسبار في صفحة 473 لتغيير إعدادات المسبار المتصل.
Measurement mode (وضع القياس)	لضبط وقت بدء القياسات. الخيارات: Push to read (الضغط للقراءة) أو Continuous (مستمر) أو Interval (الفاصل الزمني). Push to read (الضغط للقراءة): يتم قياس العينة فقط عند الضغط على Read (قراءة). يتم حفظ البيانات في سجل البيانات تلقائيًا عند استيفاء معايير الاستقرار. Interval (الفاصل الزمني): يتم قياس العينة على فترات زمنية منتظمة لمدة محددة. يتم تخزين البيانات في سجل البيانات تلقائيًا.
Temperature (درجة الحرارة)	Continuous (مستمر): يقيس جهاز القياس قيمة العينة باستمرار. يتم حفظ البيانات في سجل البيانات فقط عندما يحدد المستخدم Save (حفظ). تعين وحدات درجة الحرارة على درجة مئوية أو فهرنهايت.
Display (شاشة العرض)	تغيير إعدادات شاشة العرض. الخيارات: Brightness (السطوع) و Backlight (الإضاءة الخلفية) و Shutdown (إيقاف التشغيل). Brightness (السطوع): لتغيير كثافة الإضاءة الخلفية. الخيارات: 10 إلى 100% (الاقتراضي: 50%). Backlight (الإضاءة الخلفية): لضبط الإضاءة الخلفية على إيقاف التشغيل عندما لا يتم استخدام جهاز القياس لوقت محدد. الخيارات: 15 15 seconds (ثانية)، 30 30 seconds (ثانية)، 1 minute (دقيقة واحدة)، 5 minutes (5 دقائق) أو Never (أبداً).
Sound (الصوت)	Shutdown (إيقاف التشغيل): لضبط جهاز القياس على إيقاف التشغيل عندما لا يتم استخدامه لوقت محدد. الخيارات: 1 minute (دقيقة واحدة)، 2 minutes (دقيقتان)، 5 5 minutes (دقائق)، 10 10 minutes (دقائق)، 30 30 minutes (دقيقة واحدة)، 1 hour (ساعة واحدة)، 2 hours (ساعتان) أو Never (أبداً).
Users (المستخدمون)	لضبط جهاز القياس لإصدار صوت أثناء ضغطات المفاتيح أو الإشعارات. الخيارات: Key Press (الضغط على المفتاح)، أو Stability Alert (تنبيه الاستقرار)، أو Reminder (تذكير)، أو Error/Warning Alert (تنبيه الخطأ/التحذير) أو (البطارية) اكتمل الشحن.
Date-Time (التاريخ-الوقت)	لتحديد مستخدم أو إضافة مستخدم جديد أو حذف مستخدم. تعين تنسيق التاريخ/الوقت والتاريخ والوقت في جهاز القياس.
Language (اللغة)	لتعيين لغة جهاز القياس.
Access (الوصول)	لتعيين كلمة مرور لمنع الوصول إلى إعدادات المسبار وبعض إعدادات جهاز القياس (وضع القياس ودرجة الحرارة واللغة) وتحديثات البرنامج. لا يستطيع المستخدم الذي لا يملك كلمة المرور حذف الإعدادات أو البيانات عندما يكون التحكم بالوصول قيد التشغيل.
Diagnostics (التشخيص)	يقوم بعمل ملف تشخيص للدعم الفني أو الخدمة الفنية في حال حدوث مشكلة فنية. يجب على المستخدم توصيل جهاز القياس بالكمبيوتر للحصول على الملف.

القسم 10 إعدادات المسبار

عند توصيل مسبار بجهاز القياس، يمكن للمستخدم تغيير إعدادات المسبار للقياسات والمعايرة والتحقق. راجع الخطوات التالية للوصول إلى إعدادات المسبار المتصل. للحصول على وصف كامل للإعدادات، راجع دليل المستخدم عبر الإنترنت الخاص بجهاز القياس.

ملاحظة: قد تمنع الحماية بكلمة مرور الوصول إلى بعض القوائم. راجع دليل المستخدم عبر الإنترنت للحصول على معلومات حول إعدادات الأمان.


1. اضغط على  وحدد Settings (الإعدادات). تظهر قائمة الإعدادات.
2. حدد اسم المسبار.
3. حدد الخيار المناسب: Measurement (القياس) أو Calibration (المعايرة) أو Verification (التحقق).

القسم 11 إدارة البيانات

يحفظ جهاز القياس البيانات من قياسات العينات والمعايرة والتحقق منها كما يلي:

- قياسات العينة—يحفظ جهاز القياس تلقائيًا بيانات العينة التي تم قياسها عندما يكون وضع القياس هو اضغط للقراءة أو الفاصل الزمني. عندما يكون وضع القياس Continuous (مستمر)، يجب على المستخدم تحديد Save (حفظ) لحفظ بيانات العينة التي تم قياسها. يظهر رمز Save (حفظ) على الشاشة الرئيسية عندما تكون بيانات العينة التي تم قياسها في سجل البيانات.
- بيانات المعايرة—يجب على المستخدم تحديد Save (حفظ) لحفظ بيانات المعايرة. يتم حفظ بيانات المعايرة في جهاز القياس وفي مسبار Intellical.
- بيانات التحقق—يجب على المستخدم تحديد Save (حفظ) لحفظ بيانات التحقق.

أكمل الخطوات التالية لعرض البيانات أو تصديرها أو حذفها.

1. اضغط على  وحدد Data (البيانات)، أو حدد Data (البيانات) من شاشة Home (الرئيسية).
2. حدد أحد الخيارات.

الخيار	الوصف
View data (عرض البيانات)	لعرض البيانات في سجل البيانات. وتظهر أحدث البيانات أولاً. اضغط على السهم لأسفل لرؤية المزيد من البيانات. يظهر رمز المعايرة عندما يكون نوع البيانات هو بيانات المعايرة. يظهر رمز التحقق عندما يكون نوع البيانات هو بيانات التحقق. لرؤية مزيد من التفاصيل حول نقطة بيانات، حدد صف بيانات واضغط على السهم الأيمن. لتطبيق عامل تصفية وإظهار البيانات التي تمت تصفيتها فقط، اضغط على السهم الأيسر وحدد معلمة أو نوع بيانات أو نطاق تاريخ.
Export data (تصدير البيانات)	إرسال نسخة من كل البيانات الموجودة في سجل البيانات إلى كمبيوتر متصل أو جهاز تخزين USB. لتوصيل الجهاز بكمبيوتر، راجع الشكل 4 في صفحة 465. لتوصيل الجهاز بجهاز تخزين USB قياسي، استخدم محول micro USB إلى USB Type A. بدلاً من ذلك، استخدم جهاز تخزين USB مزودًا بموصل micro USB.
Calibration history (تاريخ المعايرة)	عندما يتصل الجهاز بكمبيوتر، يتم فتح نافذة File Explorer (مستكشف الملفات) إلى محرك أقراص باسم "HQ-Series". قم بتوسيع محرك الأقراص والبحث عن مجلد فرعي باسم جهاز القياس والرقم التسلسلي. يظهر ملف البيانات كملف .csv مع التاريخ والوقت كاسم الملف. احفظ ملف .csv في موقع على الكمبيوتر.
Delete data (حذف البيانات)	ملاحظة: إذا لم يتم فتح نافذة File Explorer (مستكشف الملفات) تلقائيًا، فافتح نافذة File Explorer (مستكشف الملفات) وابحث عن محرك أقراص باسم "HQ-Series". لعرض بيانات المعايرة الحالية والسابقة الخاصة بالمسبار المتصل.

لمحو كل البيانات في سجل البيانات. قد تمنع الحماية بكلمة مرور الوصول إلى خيار حذف البيانات.

القسم 12 الصيانة

⚠️ تنبيه

مخاطر متعددة. يجب عدم إجراء المهام الموضحة في هذا القسم من المستند إلا بواسطة الموظفين المؤهلين لذلك فقط.



12.1 تنظيف الجهاز

نظف الجزء الخارجي من الجهاز بقطعة قماش رطبة ومحلول صابون معتدل ثم قم بتجفيف الجهاز.

12.2 استبدال البطاريات

استبدل البطارية عندما لا تشحن البطارية أو لا تشحن. استخدم فقط البطارية وشاحن البطارية الذي توفره الجهة المصنعة. راجع تركيب البطاريات في صفحة 464.

12.3 التجهيز للشحن

يحتوي الجهاز على بطارية ليثيوم أيون، والتي يتم تنظيمها كمادة خطيرة ويجب أن تتوافق مع لوائح البضائع الخطرة لكل أنواع النقل. اتبع الإجراءات التالية لإرسال الجهاز للإصلاح أو الصيانة:

- أفضل المسابير قبل الشحن.
- نظف الأداة وطهرها قبل شحنها.
- للحصول على أفضل مستوى من الأمان، قم بإزالة بطارية الليثيوم أيون من الجهاز ولا ترسل البطارية. إذا كان من الضروري إرسال البطارية، فحافظ على البطارية مثبتة في حاوية البطارية ولكن لا تقم بتوصيل حاوية البطارية في الجهاز. ضع حاوية البطارية مع البطارية المركبة في عبوة منفصلة لمنع التلامس مع المواد الموصلة للكهرباء (مثل المعادن).
- قم بشحن الجهاز في العبوة الأصلية أو شحنه في عبوة حماية بديلة.

القسم 13 استكشاف الأخطاء وإصلاحها

13.1 اتبع إرشادات استكشاف الأخطاء وإصلاحها التي تظهر على الشاشة

تحتوي واجهة المستخدم على إرشادات استكشاف الأخطاء وإصلاحها للمساعدة في تصحيح المشاكل التي يمكن أن تحدث أثناء القياسات والمعايرة والتحقق. عند حدوث مشكلة، تعرض الشاشة رمز الخطأ ⚠️ أو التحذير ⚠️ مع وصف مختصر للمشكلة. اضغط على السهم الأيمن لرؤية الإجراءات الموصى بها لتصحيح المشكلة.

القسم 14 قطع الغيار

⚠️ تحذير	
خطر الإصابة الشخصية. قد يؤدي استخدام الأجزاء غير المعتمدة إلى الإصابة الشخصية أو تلف الجهاز أو قصور في تشغيله. قطع الغيار الواردة في هذا القسم هي قطع معتمدة من الشركة المصنعة.	

ملاحظة: تختلف أرقام المنتج والبنود حسب بعض مناطق البيع. اتصل بالموزع المناسب أو راجع موقع الشركة على الويب لمعرفة جهة الاتصال.

قطع الغيار

رقم العنصر	الوصف
LEZ015.99.00001	بطارية، ليثيوم أيون، 18650، 3200 مللي أمبير/ساعة، اللغة الإنجليزية
LEZ015.80.00001	بطارية، ليثيوم أيون، 18650، 3100 مللي أمبير/ساعة، اللغة الصينية
LEZ015.99.00002	كابل، قابس USB 2.0 من type A إلى قابس نوع micro type B، بطول 0.91 م (3 أقدام)
LEZ015.99.A001A	حالة المجال للمسابير القياسية
LEZ015.99.A002A	حقيبة ميدانية للمسابير القوية
LEZ015.99.A005A	حبل عنق يدوي وسدادات غبار
LEZ015.99.A003A	حامل مع شريط يد
LEZ015.99.A004A	قفاز واقي
LEZ015.99.00006	محول طاقة USB، 5 فولت تيار مستمر، 2 أمبير، 100-240 فولت تيار متردد، الولايات المتحدة
LEZ015.99.00004	محول طاقة USB، 5 فولت تيار مستمر، 2 أمبير، 100-240 فولت تيار متردد، الاتحاد الأوروبي + المملكة المتحدة
LEZ015.99.00005	محول طاقة USB، 5 فولت تيار مستمر، 2 أمبير، 100-240 فولت تيار متردد، الصين
LEZ015.99.00007	محول طاقة USB، 5 فولت تيار مستمر، 2 أمبير، 100-240 فولت تيار متردد، باقي دول العالم

DOMINIQUE DUTSCHER SAS

DOMINIQUE DUTSCHER SAS



HACH COMPANY World Headquarters

P.O. Box 389, Loveland, CO 80539-0389 U.S.A.
Tel. (970) 669-3050
(800) 227-4224 (U.S.A. only)
Fax (970) 669-2932
orders@hach.com
www.hach.com

HACH LANGE GMBH

Willstätterstraße 11
D-40549 Düsseldorf, Germany
Tel. +49 (0) 2 11 52 88-320
Fax +49 (0) 2 11 52 88-210
info-de@hach.com
www.de.hach.com

HACH LANGE Sàrl

6, route de Compois
1222 Vézenaz
SWITZERLAND
Tel. +41 22 594 6400
Fax +41 22 594 6499

