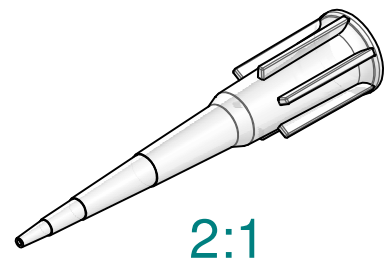
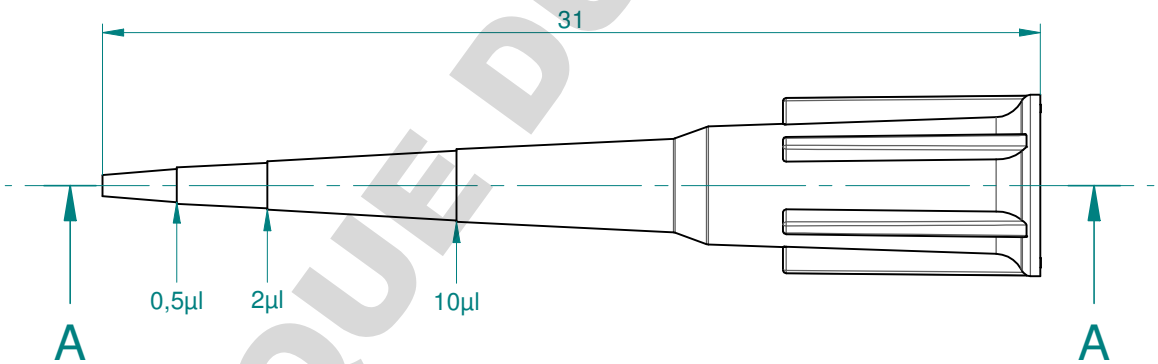
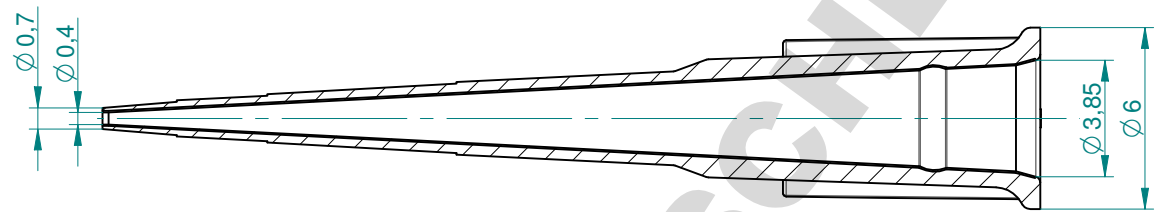


Valid for Item-No.: 771350, 771351, 771352, 771354, 771355
 Related box: 770310 (red insert)

CONFIDENTIAL

SECTION A-A



"All dimensions in mm"

Customer drawing subject to change without notice!

Uncontrolled Copy

| | | | | |
|-------------|---------------|------------|-----------|---|
| Prior Issue | Drawn | Approved | Released | CONFIDENTIAL: Information contained in this document or drawing is confidential and proprietary to Greiner Bio-One GmbH. This document may not be reproduced for any reason without written permission from Greiner Bio-One GmbH. All rights of design, invention, and copyright are reserved. |
| Revision | Date | Date | Date | |
| - | 24.07.2019 | Jul. 2019 | Jul. 2019 | |
| Date | Name | Name | Name | |
| - | N. Schöfecker | M. Mizelli | R. Heller | |