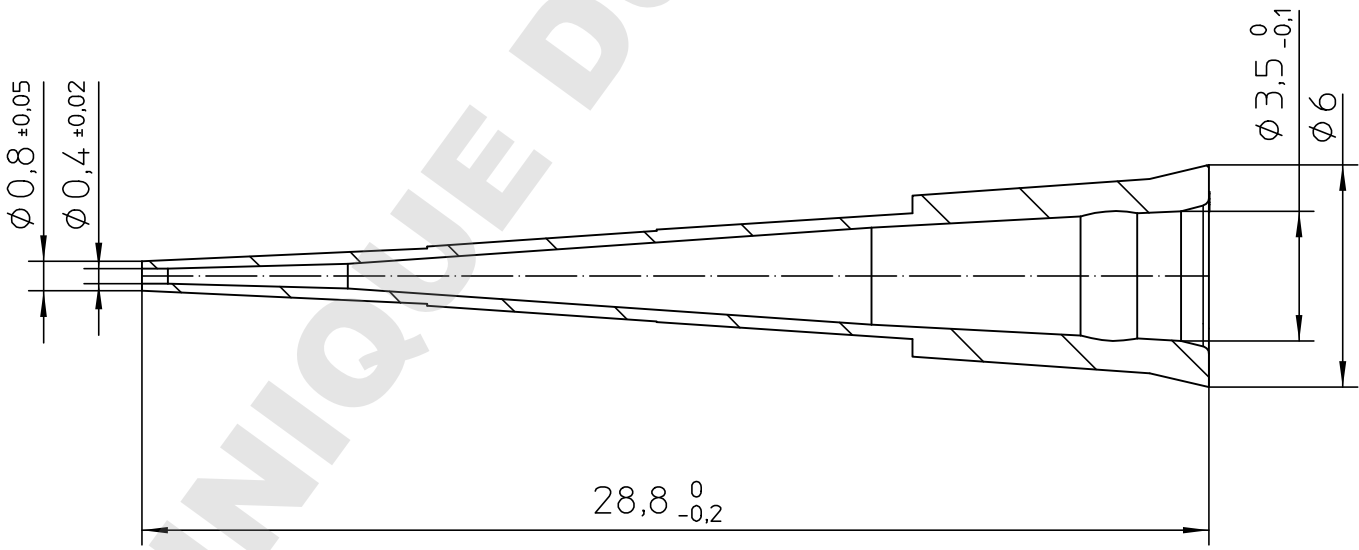
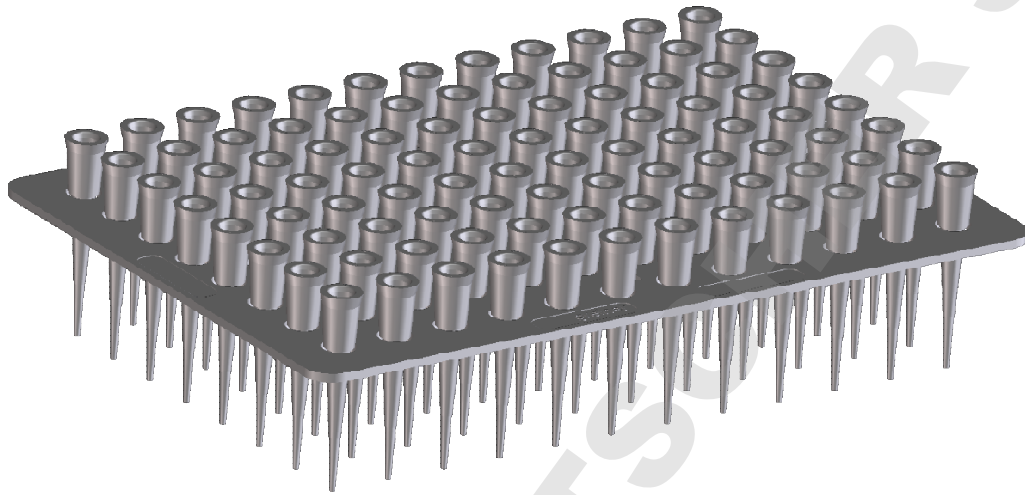


Valid for Item-No.: 771280, 771281, 771291



Only layout change, no design change of the product.  
 Prior drawing No. AC-771280/ 771281/ 771291/ Rev 02/ March 16, 2007

"All dimensions in mm"

Customer drawing subject to change without notice!

Uncontrolled Copy

Prior Issue	Drawn	Approved	Released	CONFIDENTIAL: Information contained in this document or drawing is confidential and proprietary to Greiner Bio-One GmbH. This document may not be reproduced for any reason without written permission from Greiner Bio-One GmbH. All rights of design, invention, and copyright are reserved.
Revision	Date 2011/08/25	Date 2011/08/25	Date 2011/08/25	
Date	Name falter	Name falter	Name sonntag	