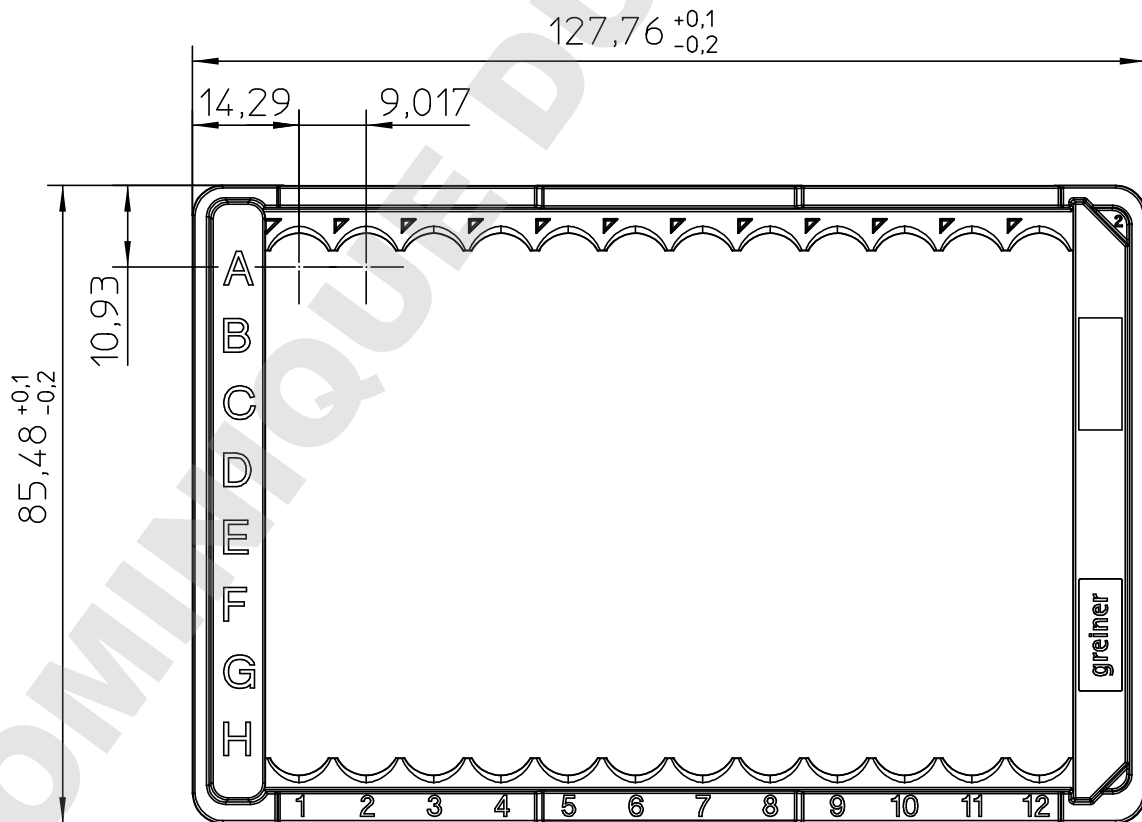
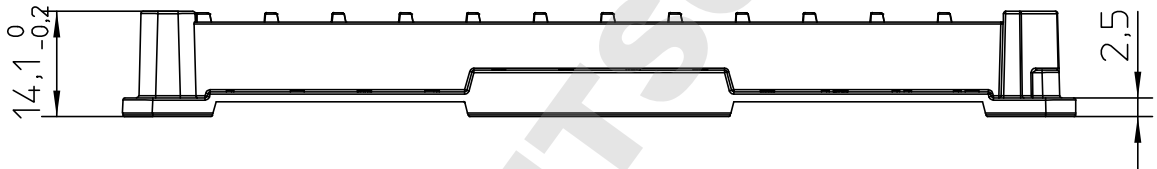
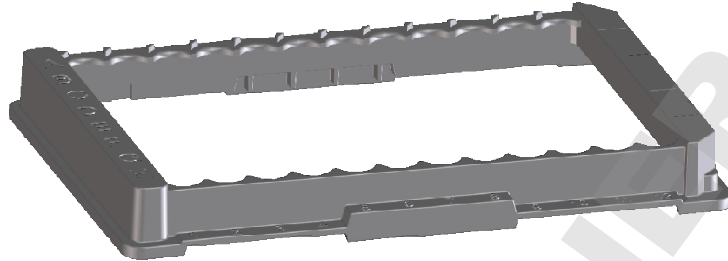


Valid for Item-No.: 767070, 767071



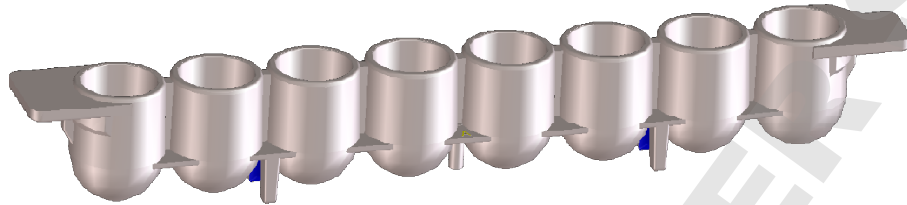
"All dimensions in mm"

Customer drawing subject to change without notice!

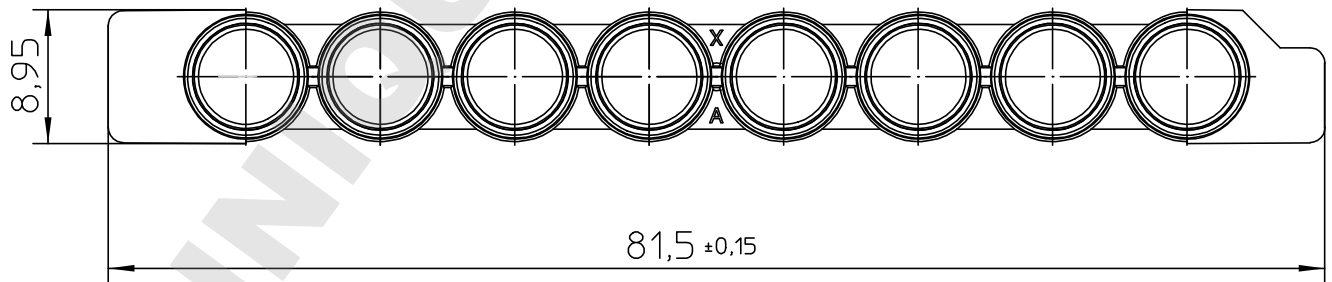
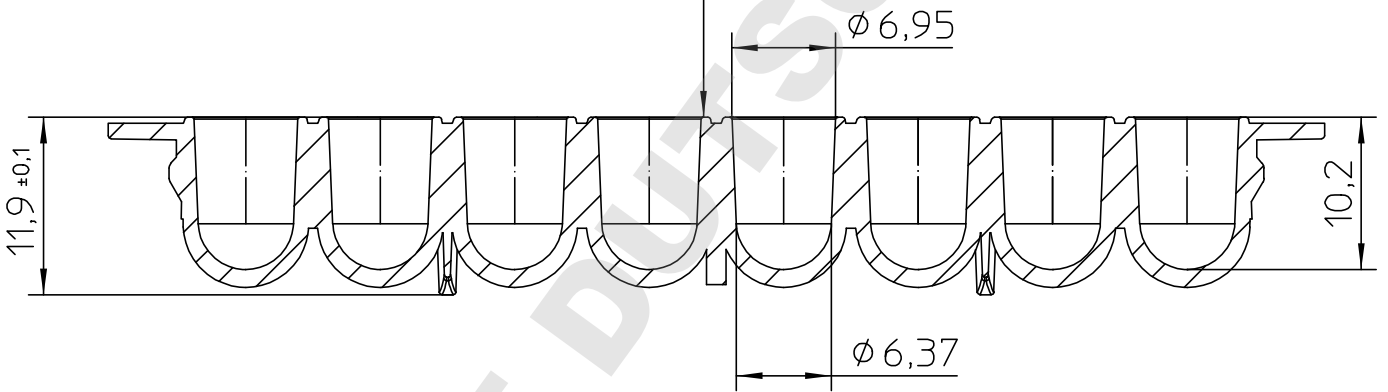
Uncontrolled Copy

Prior Issue	Drawn	Approved	Released	CONFIDENTIAL: Information contained in this document or drawing is confidential and proprietary to Greiner Bio-One GmbH. This document may not be reproduced for any reason without written permission from Greiner Bio-One GmbH. All rights of design, invention, and copyright are reserved.
Revision 1	Date 2011/10/14	Date 2015/03/06	Date 2015/03/06	
Date 2011/10/14	Name forb	Name schwarzj	Name sonntag	

Valid for Item-No.: 767070, 767071



Curvature +0,15  
-0,15



"All dimensions in mm"

Customer drawing subject to change without notice!

Uncontrolled Copy

Prior Issue	Drawn	Approved	Released	CONFIDENTIAL: Information contained in this document or drawing is confidential and proprietary to Greiner Bio-One GmbH. This document may not be reproduced for any reason without written permission from Greiner Bio-One GmbH. All rights of design, invention, and copyright are reserved.
Revision	Date	Date	Date	
1	2011/10/14	2015/03/06	2015/03/06	
Date	Name	Name	Name	
2011/10/14	forb	schwarzj	sonntag	