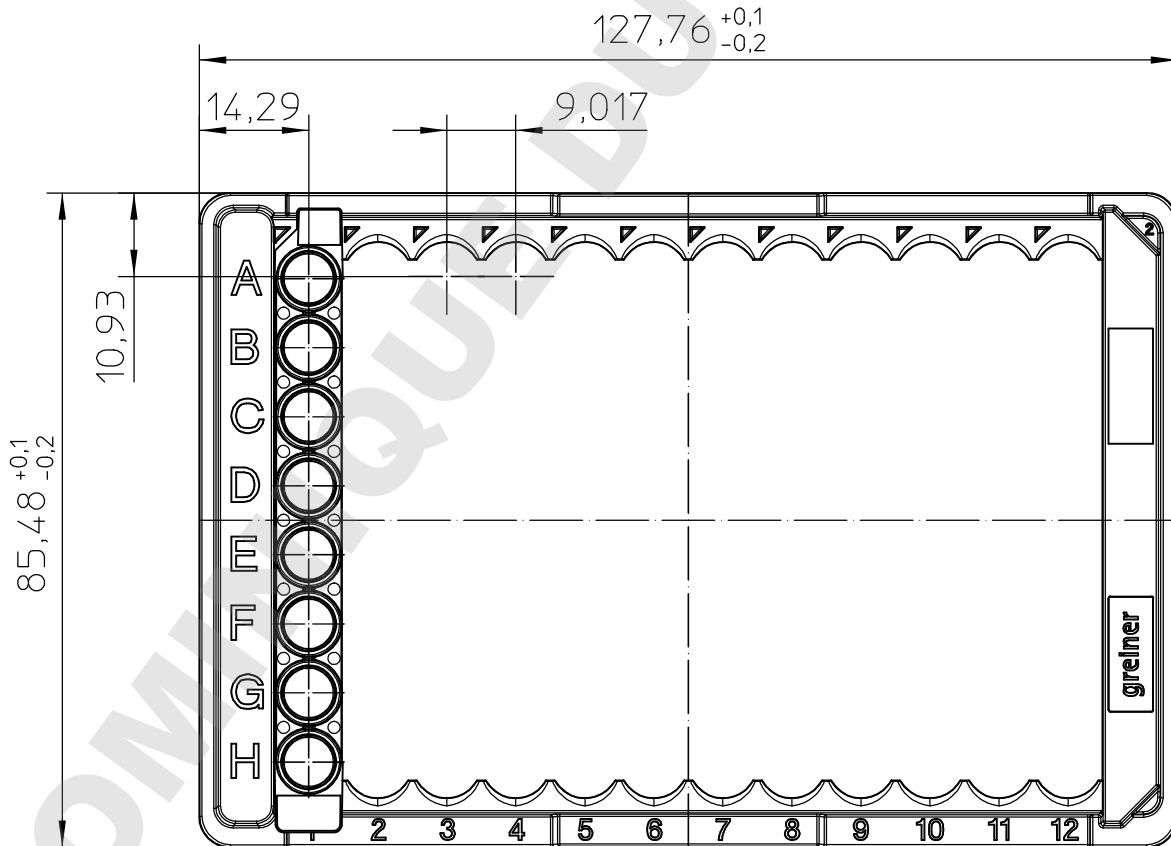
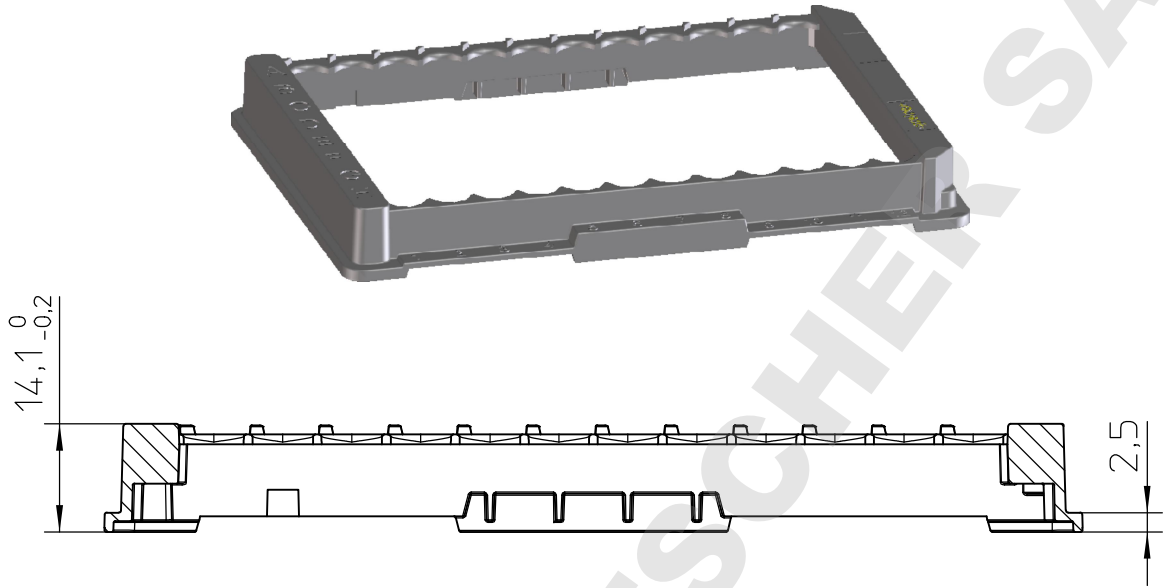


Valid for Item-No.: 762070, 762071, 762074, 762075, 762076, 762077



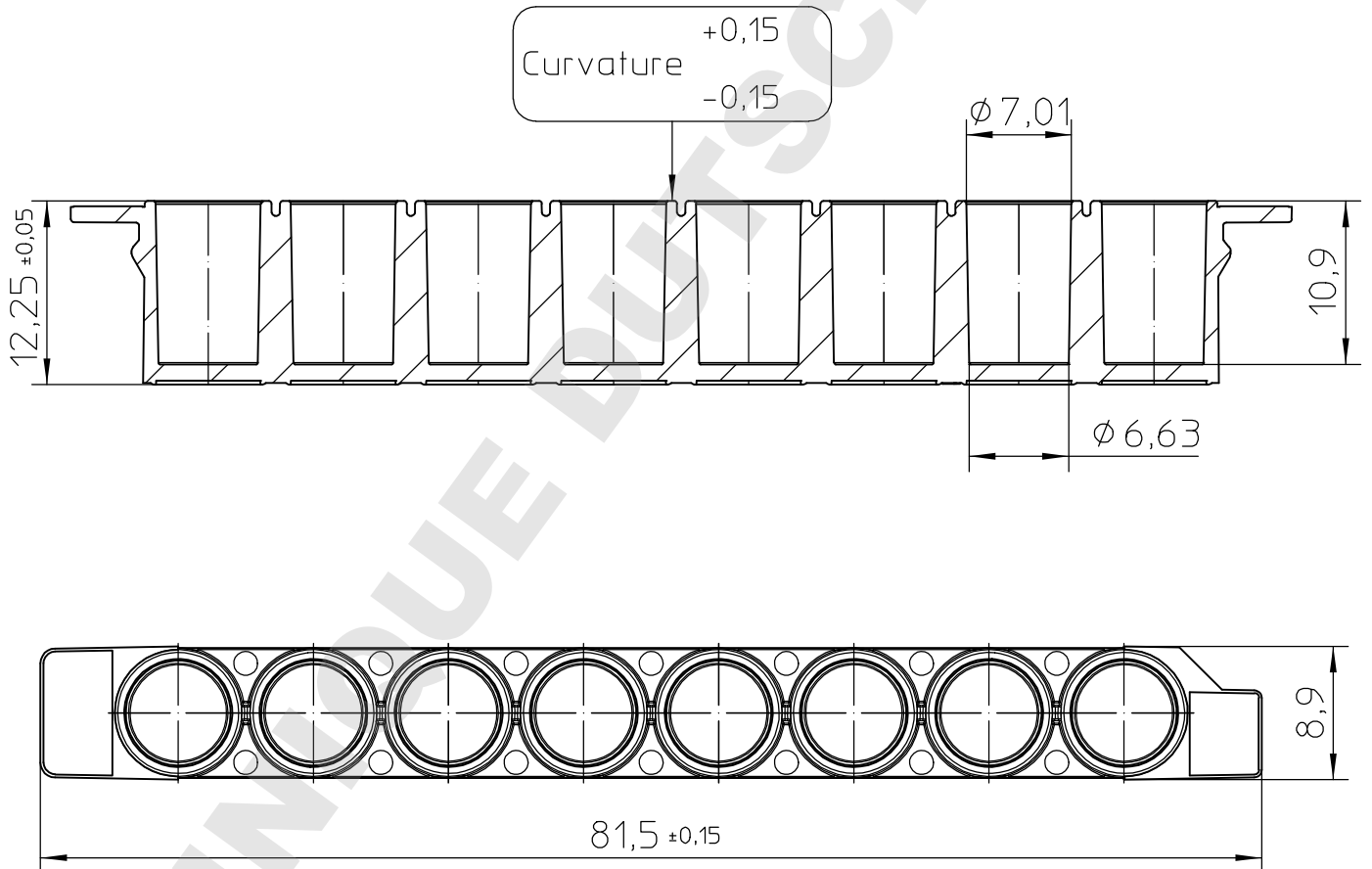
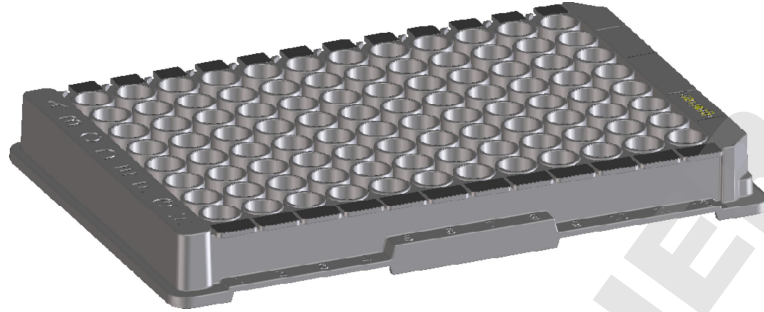
"All dimensions in mm"

Customer drawing subject to change without notice!

Uncontrolled Copy

Prior Issue	Drawn	Approved	Released	CONFIDENTIAL: Information contained in this document or drawing is confidential and proprietary to Greiner Bio-One GmbH. This document may not be reproduced for any reason without written permission from Greiner Bio-One GmbH. All rights of design, invention, and copyright are reserved.
Revision 2	Date 2014/08/27	Date 2015/03/06	Date 2015/03/06	
Date 2015/01/26	Name schwarzj	Name schwarzj	Name sonntag	

Valid for Item-No.: 762070, 762071, 762074, 762075, 762076, 762077



"All dimensions in mm"

Customer drawing subject to change without notice!

Uncontrolled Copy

Prior Issue	Drawn	Approved	Released	CONFIDENTIAL: Information contained in this document or drawing is confidential and proprietary to Greiner Bio-One GmbH. This document may not be reproduced for any reason without written permission from Greiner Bio-One GmbH. All rights of design, invention, and copyright are reserved.
Revision 2	Date 2014/08/27	Date 2015/03/06	Date 2015/03/06	
Date 2015/01/26	Name schwarzj	Name schwarzj	Name sonntag	