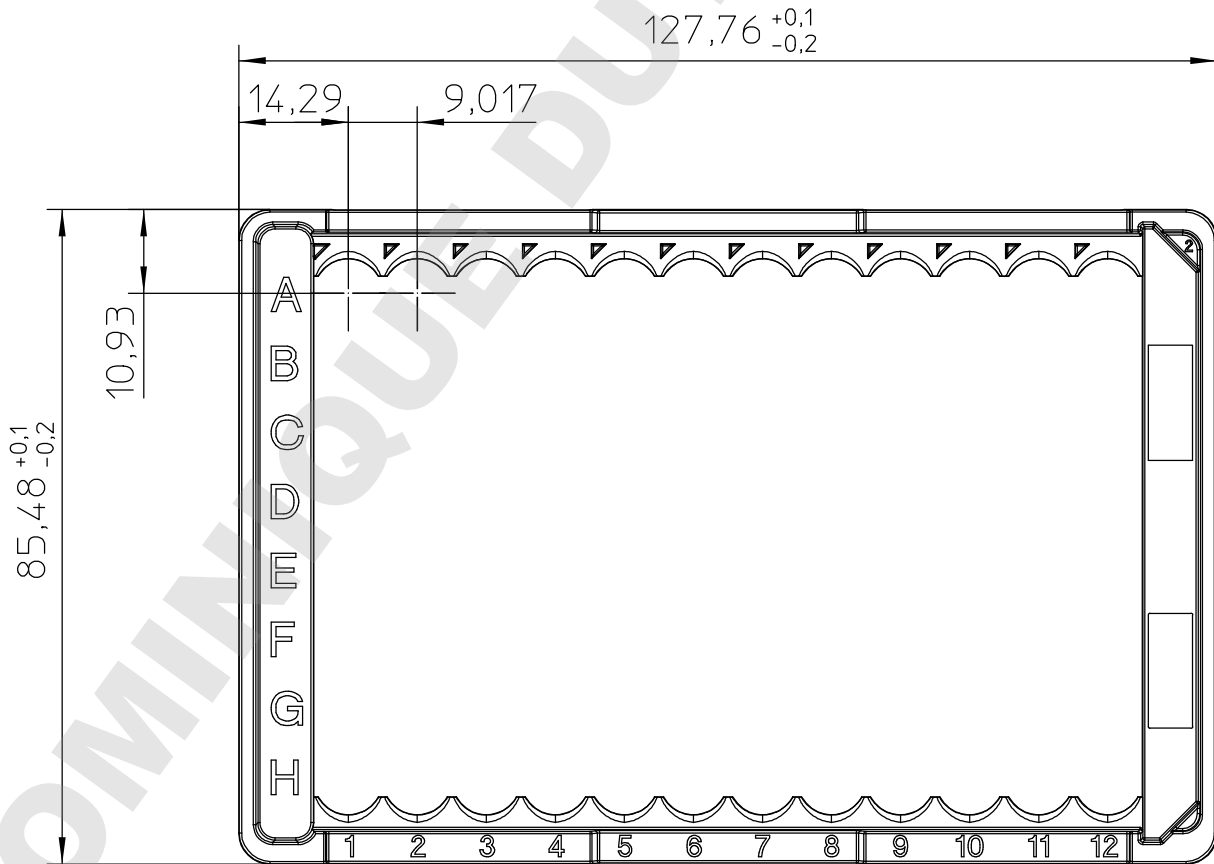
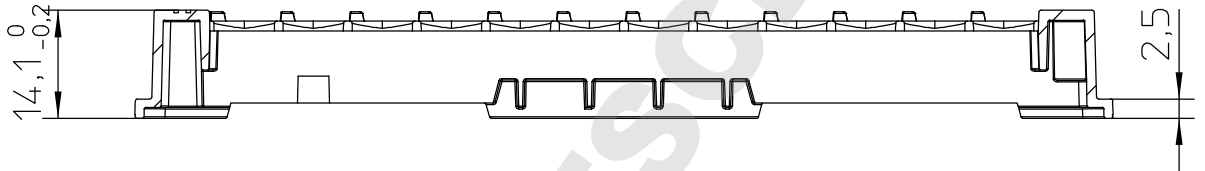
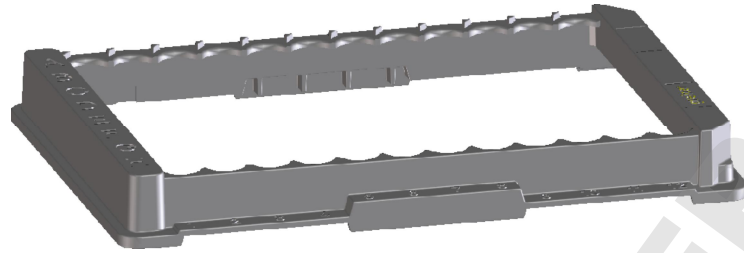


Valid for Item-No.: 756070, 756071



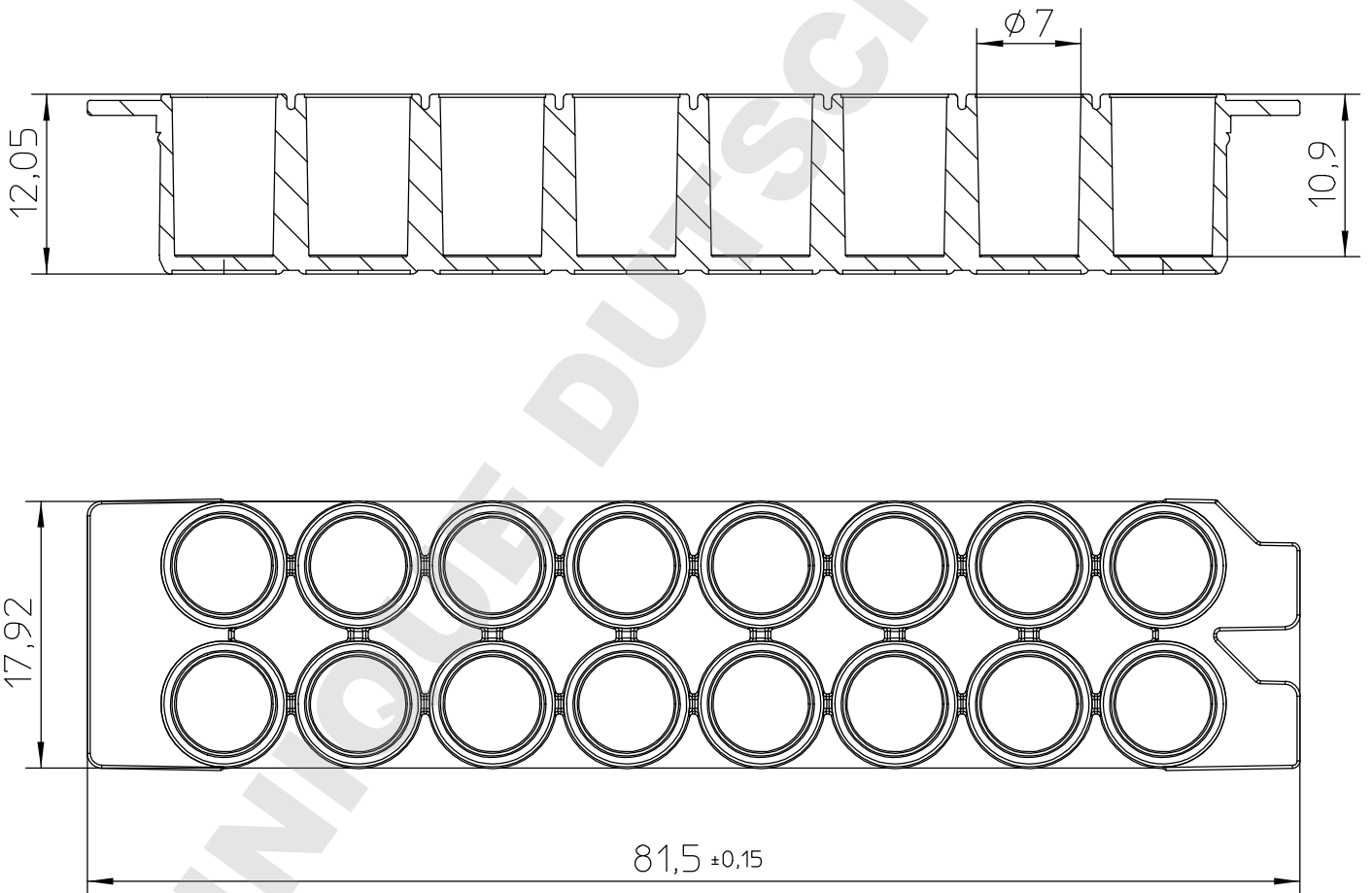
"All dimensions in mm"

Customer drawing subject to change without notice!

Uncontrolled Copy

Prior Issue	Drawn	Approved	Released	CONFIDENTIAL: Information contained in this document or drawing is confidential and proprietary to Greiner Bio-One GmbH. This document may not be reproduced for any reason without written permission from Greiner Bio-One GmbH. All rights of design, invention, and copyright are reserved.
Revision 1	Date 2011/08/26	Date 2015/03/05	Date 2015/03/05	
Date 2011/08/26	Name forb	Name schwarzj	Name sonntag	

Valid for Item-No.: 756070, 756071



"All dimensions in mm"

Customer drawing subject to change without notice!

Uncontrolled Copy

Prior Issue	Drawn	Approved	Released	CONFIDENTIAL: Information contained in this document or drawing is confidential and proprietary to Greiner Bio-One GmbH. This document may not be reproduced for any reason without written permission from Greiner Bio-One GmbH. All rights of design, invention, and copyright are reserved.
Revision	Date	Date	Date	
1	2011/08/26	2015/03/05	2015/03/05	
Date	Name	Name	Name	
2011/08/26	forb	schwarzj	sonntag	