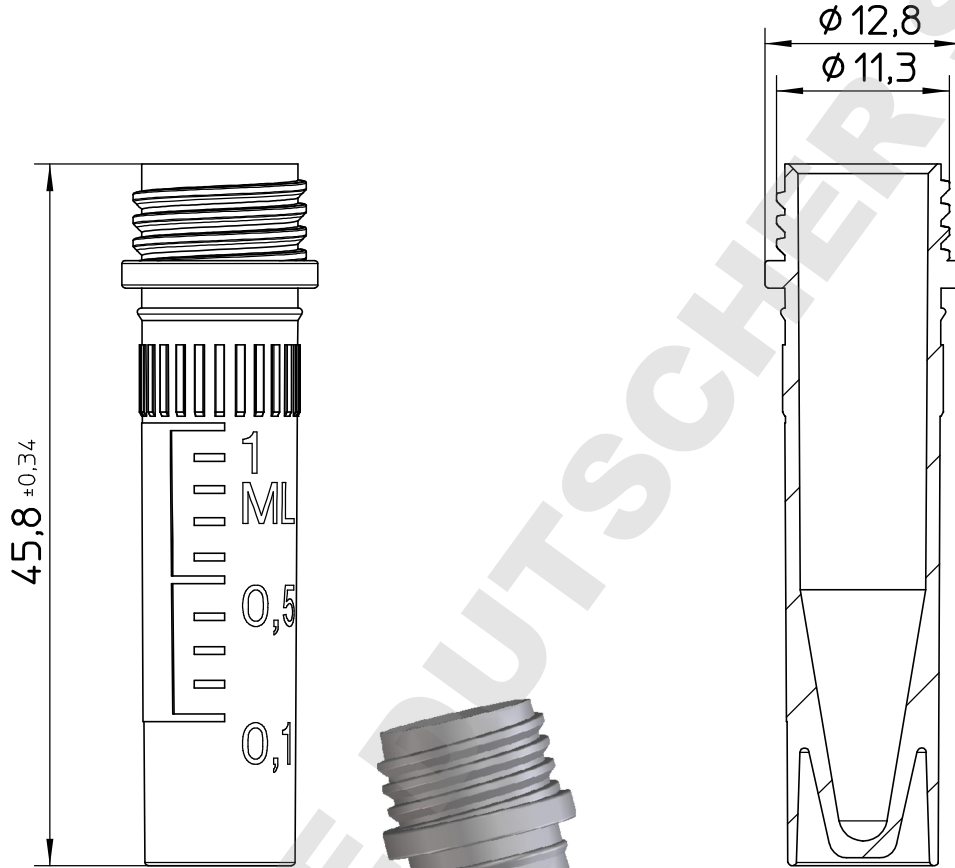


Valid for Item-No.: 717201, 717261, 717263, 717264, 717265, 717266, 717270



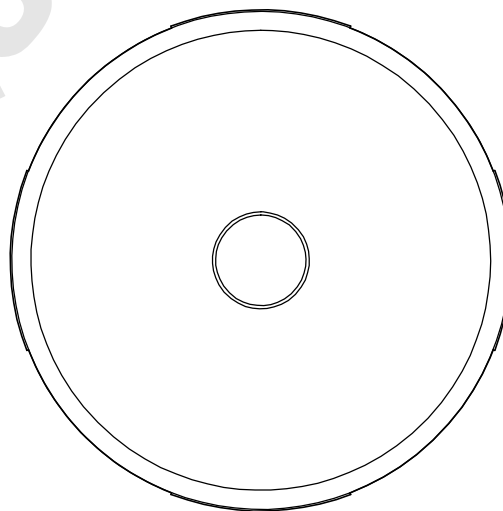
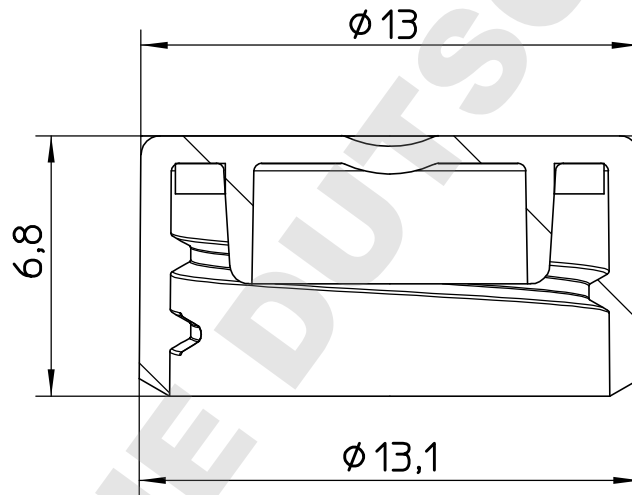
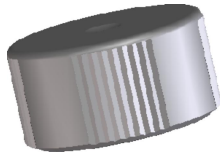
"All dimensions in mm"

Customer drawing subject to change without notice!

Uncontrolled Copy

| | | | | |
|-------------|------------|------------|------------|--|
| Prior Issue | Drawn | Approved | Released | CONFIDENTIAL: Information contained in this document or drawing is confidential and proprietary to Greiner Bio-One GmbH. This document may not be reproduced for any reason without written permission from Greiner Bio-One GmbH. All rights of design, invention, and copyright are reserved. |
| Revision | Date | Date | Date | |
| 4 | 2012/05/09 | 2017/03/01 | 2017/03/01 | |
| Date | Name | Name | Name | |
| 2013/02/28 | forb | forb | sonntag | |

Valid for Item-No.: 717201, 717261, 717263, 717264, 717265, 717266, 717270



"All dimensions in mm"

Customer drawing subject to change without notice!

Uncontrolled Copy

| Prior Issue | Drawn | Approved | Released | CONFIDENTIAL: Information contained in this document or drawing is confidential and proprietary to Greiner Bio-One GmbH. This document may not be reproduced for any reason without written permission from Greiner Bio-One GmbH. All rights of design, invention, and copyright are reserved. |
|-------------|------------|------------|------------|--|
| Revision | Date | Date | Date | |
| 4 | 2012/05/09 | 2017/03/01 | 2017/03/01 | |
| Date | Name | Name | Name | |
| 2013/02/28 | forb | forb | sonntag | |