

**va-Q-accu +04G**

Revision date: 18.10.2021

Product code: VQT011

Page 1 of 8

**SECTION 1: Identification of the substance/mixture and of the company/undertaking**

**1.1. Product identifier**

va-Q-accu +04G

**1.2. Relevant identified uses of the substance or mixture and uses advised against**

**Use of the substance/mixture**

heat / cold accumulator

The product is designed exclusively for industrial and commercial use.

Va-Q-accu +04G is an article according to the REACH regulation (EC) No. 1907/2006 and the OSHA Hazard Communication Standard, 29 CFR Subpart 1910.1200(c). For articles, the preparation of a safety data sheet or a CLP labeling is not required. This safety data sheet describes the filling of the va-Q-accu +04G.

**Uses advised against**

The product is only to be used for the intended application.

**1.3. Details of the supplier of the safety data sheet**

Company name:	va-Q-tec AG	
Street:	Alfred-Nobel-Straße 33	
Place:	D-97080 Wuerzburg	
Telephone:	+49 (0)931 35942 0	Telefax: +49 (0)931 35942 10
e-mail:	info@va-Q-tec.com	
Contact person:	Dr. Christian Hörl	Telephone: +49 (0)931 35942 0
e-mail:	christian.hoerl@va-Q-tec.com	
Internet:	www.va-Q-tec.com	
Responsible Department:	R&D PCM	
	PHONE: +49 (0)931 35942 0	
	FAX: +49 (0)931 35942 10	
	MAIL: info@va-Q-tec.com	

**1.4. Emergency telephone number:**

Poison centre Munich:  
+49 (0)89 19240 (24h, german and english)

**SECTION 2: Hazards identification**

**2.1. Classification of the substance or mixture**

**Regulation (EC) No. 1272/2008**

Hazard categories:

Aspiration hazard: Asp. Tox. 1

Hazard Statements:

May be fatal if swallowed and enters airways.

**2.2. Label elements**

**Regulation (EC) No. 1272/2008**

**Hazard components for labelling**

Hydrocarbons, C14-C15, n-alkanes, <2% aromatics

**Signal word:** Danger

**Pictograms:**



**Hazard statements**

H304 May be fatal if swallowed and enters airways.

**va-Q-accu +04G**

Revision date: 18.10.2021

Product code: VQT011

Page 2 of 8

**Precautionary statements**

P301+P310 IF SWALLOWED: Immediately call a POISON CENTER/doctor.  
 P331 Do NOT induce vomiting.  
 P405 Store locked up.  
 P502 Refer to manufacturer or supplier for information on recovery or recycling.

**Special labelling of certain mixtures**

EUH066 Repeated exposure may cause skin dryness or cracking.

**Additional advice on labelling**

There is no requirement for the product to be specially labelled according to EC directives or the corresponding national laws.

**2.3. Other hazards**

This substance does not meet the PBT/vPvB criteria of REACH, Annex XIII.

**SECTION 3: Composition/information on ingredients**
**3.2. Mixtures**
**Hazardous components**

CAS No	Chemical name			Quantity
	EC No	Index No	REACH No	
	GHS Classification			
64771-72-8	Hydrocarbons, C14-C15, n-alkanes, <2% aromatics			90 - <= 100 %
	928-868-4		01-2119977112-40	
	Asp. Tox. 1; H304 EUH066			

Full text of H and EUH statements: see section 16.

**SECTION 4: First aid measures**
**4.1. Description of first aid measures**
**General information**

No special first aid measures necessary.

**After inhalation**

Exposure by the respiratory tract is unlikely in its present form.

**After contact with skin**

Remove contaminated, saturated clothing immediately. After contact with skin, wash immediately with plenty of water and soap. If skin irritation occurs: Get medical advice/attention.

**After contact with eyes**

Rinse immediately carefully and thoroughly with eye-bath or water. In case of eye irritation consult an ophthalmologist. Remove contact lenses, if present and easy to do. Continue rinsing.

**After ingestion**

Do NOT induce vomiting. Call a physician immediately.

**4.2. Most important symptoms and effects, both acute and delayed**

Not hazardous to health when used as intended. Danger of aspiration.

**4.3. Indication of any immediate medical attention and special treatment needed**

Treat symptomatically.

**SECTION 5: Firefighting measures**
**5.1. Extinguishing media**

**va-Q-accu +04G**

Revision date: 18.10.2021

Product code: VQT011

Page 3 of 8

**Suitable extinguishing media**

Co-ordinate fire-fighting measures to the fire surroundings.

**Unsuitable extinguishing media**

Full water jet

**5.2. Special hazards arising from the substance or mixture**

Combustible

**5.3. Advice for firefighters**

In case of fire: Wear self-contained breathing apparatus.

**Additional information**

Collect contaminated fire extinguishing water separately. Do not allow entering drains or surface water.

**SECTION 6: Accidental release measures****6.1. Personal precautions, protective equipment and emergency procedures****General measures**

Avoid contact with skin, eyes and clothes.

**6.2. Environmental precautions**

Do not allow to enter into surface water or drains.

**6.3. Methods and material for containment and cleaning up****Other information**

Absorb with liquid-binding material (sand, diatomaceous earth, acid- or universal binding agents). Treat the recovered material as prescribed in the section on waste disposal. Clean contaminated articles and floor according to the environmental legislation.

**6.4. Reference to other sections**

Safe handling: see section 7

Personal protection equipment: see section 8

Disposal: see section 13

**SECTION 7: Handling and storage****7.1. Precautions for safe handling****Advice on safe handling**

Avoid contact with skin, eyes and clothes. Wear personal protection equipment (refer to section 8).

**7.2. Conditions for safe storage, including any incompatibilities****Requirements for storage rooms and vessels**

Keep container tightly closed in a cool, well-ventilated place.

**Hints on joint storage**

Keep away from food, drink and animal feedingstuffs.

**7.3. Specific end use(s)**

heat / cold accumulator

The product is designed exclusively for industrial and commercial use.

Va-Q-accu +04G is an article according to the REACH regulation (EC) No. 1907/2006 and the OSHA Hazard Communication Standard, 29 CFR Subpart 1910.1200(c). For articles, the preparation of a safety data sheet or a CLP labeling is not required. This safety data sheet describes the filling of the va-Q-accu +04G.

**SECTION 8: Exposure controls/personal protection****8.1. Control parameters****Additional advice on limit values**

Currently there are no exposure limits available.

**va-Q-accu +04G**

Revision date: 18.10.2021

Product code: VQT011

Page 4 of 8

**8.2. Exposure controls**

**Protective and hygiene measures**

- Avoid contact with skin, eyes and clothes.
- Remove contaminated, saturated clothing immediately.
- Do not eat, drink or smoke when using this product.
- Wash hands before breaks and after work.
- Wash hands before breaks and after work.

**Eye/face protection**

- Under normal usage conditions, not necessary.
- At the place of work (in production and when refilling): Tightly sealed safety glasses.

**Hand protection**

- Under normal usage conditions, not necessary.
- At the place of work (in production and when refilling): Tested protective gloves must be worn.
- Suitable material: NBR (Nitrile rubber). PVC (Polyvinyl chloride). NR (Natural rubber (Caoutchouc), Natural latex).
- penetration time (maximum wearing period): >8h
- Thickness of glove material: 0,35 mm NBR (Nitrile rubber). | 0,5 mm PVC (Polyvinyl chloride). | 0,5 mm NR (Natural rubber (Caoutchouc), Natural latex).
- For special purposes, it is recommended to check the resistance to chemicals of the protective gloves mentioned above together with the supplier of these gloves.

**Skin protection**

- Long-sleeved working clothes are recommended.

**Respiratory protection**

- In case of inadequate ventilation wear respiratory protection. Within the recommended use and adequate ventilation no respiratory protection is necessary.

**SECTION 9: Physical and chemical properties**

**9.1. Information on basic physical and chemical properties**

Physical state:	Liquid
Colour:	blue
Odour:	characteristic

**Test method**

pH-Value: not applicable

**Changes in the physical state**

Melting point:	2-8 °C
Boiling point or initial boiling point and boiling range:	>240 °C
Sublimation point:	no data available
Softening point:	no data available
Pour point:	no data available
Flash point:	>110 °C
Sustaining combustion:	No data available

**Flammability**

Solid/liquid:	no data available
Gas:	no data available

**Explosive properties**

no data available

Lower explosion limits: no data available

**va-Q-accu +04G**

Revision date: 18.10.2021

Product code: VQT011

Page 5 of 8

Upper explosion limits:	no data available
Auto-ignition temperature:	no data available
<b>Self-ignition temperature</b>	205
Solid:	no data available
Gas:	no data available
Decomposition temperature:	no data available
<b>Oxidizing properties</b>	
no data available	
Vapour pressure:	no data available
Vapour pressure:	no data available
Density:	0,76 g/cm <sup>3</sup>
Bulk density:	no data available
Water solubility:	practically insoluble
<b>Solubility in other solvents</b>	
no data available	
Partition coefficient n-octanol/water:	no data available
Viscosity / dynamic:	no data available
Viscosity / kinematic:	2,2 mm <sup>2</sup> /s ASTM D 446
Flow time:	no data available
Relative vapour density:	no data available
Evaporation rate:	no data available
Solvent separation test:	no data available
Solvent content:	no data available

**9.2. Other information**

no data available

**SECTION 10: Stability and reactivity**

**10.1. Reactivity**

No hazardous reaction when handled and stored according to provisions.

**10.2. Chemical stability**

The product is stable under storage at normal ambient temperatures.

**10.3. Possibility of hazardous reactions**

No hazardous reaction when handled and stored according to provisions.

**10.4. Conditions to avoid**

No information available.

**10.5. Incompatible materials**

No information available.

**10.6. Hazardous decomposition products**

No known hazardous decomposition products.

**SECTION 11: Toxicological information**

**11.1. Information on hazard classes as defined in Regulation (EC) No 1272/2008**

**Acute toxicity**

Based on available data, the classification criteria are not met.

**va-Q-accu +04G**

Revision date: 18.10.2021

Product code: VQT011

Page 6 of 8

**Irritation and corrosivity**

Based on available data, the classification criteria are not met.

**Sensitising effects**

Based on available data, the classification criteria are not met.

**Carcinogenic/mutagenic/toxic effects for reproduction**

Based on available data, the classification criteria are not met.

**STOT-single exposure**

Based on available data, the classification criteria are not met.

**STOT-repeated exposure**

Repeated exposure may cause skin dryness or cracking.

**Aspiration hazard**

May be fatal if swallowed and enters airways.

**SECTION 12: Ecological information****12.1. Toxicity**

The product is not: Ecotoxic.

**12.2. Persistence and degradability**

There are no data available on the mixture itself.

**12.3. Bioaccumulative potential**

There are no data available on the mixture itself.

**12.4. Mobility in soil**

There are no data available on the mixture itself.

**12.5. Results of PBT and vPvB assessment**

The substances in the mixture do not meet the PBT/vPvB criteria according to REACH, annex XIII.

**12.7. Other adverse effects**

No information available.

**Further information**

Avoid release to the environment.

**SECTION 13: Disposal considerations****13.1. Waste treatment methods****Disposal recommendations**

Dispose of waste according to applicable legislation.

According to the European Waste Catalogue (EWC), allocation of waste identity numbers/waste descriptions must be carried out in a specific way for every industry and process.

**List of Wastes Code - residues/unused products**

130307 OIL WASTES AND WASTES OF LIQUID FUELS (EXCEPT EDIBLE OILS, AND THOSE IN CHAPTERS 05, 12 AND 19); waste insulating and heat transmission oils; mineral-based non-chlorinated insulating and heat transmission oils; hazardous waste

**List of Wastes Code - used product**

130307 OIL WASTES AND WASTES OF LIQUID FUELS (EXCEPT EDIBLE OILS, AND THOSE IN CHAPTERS 05, 12 AND 19); waste insulating and heat transmission oils; mineral-based non-chlorinated insulating and heat transmission oils; hazardous waste

**List of Wastes Code - contaminated packaging**

150102 WASTE PACKAGING; ABSORBENTS, WIPING CLOTHS, FILTER MATERIALS AND PROTECTIVE CLOTHING NOT OTHERWISE SPECIFIED; packaging (including separately collected municipal packaging waste); plastic packaging

**va-Q-accu +04G**

Revision date: 18.10.2021

Product code: VQT011

Page 7 of 8

**Contaminated packaging**

Wash with plenty of water. Completely emptied packages can be recycled.

**SECTION 14: Transport information**

**Land transport (ADR/RID)**

- 14.1. UN number:** No dangerous good in sense of this transport regulation.
- 14.2. UN proper shipping name:** No dangerous good in sense of this transport regulation.
- 14.3. Transport hazard class(es):** No dangerous good in sense of this transport regulation.
- 14.4. Packing group:** No dangerous good in sense of this transport regulation.

**Inland waterways transport (ADN)**

- 14.1. UN number:** No dangerous good in sense of this transport regulation.
- 14.2. UN proper shipping name:** No dangerous good in sense of this transport regulation.
- 14.3. Transport hazard class(es):** No dangerous good in sense of this transport regulation.
- 14.4. Packing group:** No dangerous good in sense of this transport regulation.

**Marine transport (IMDG)**

- 14.1. UN number:** No dangerous good in sense of this transport regulation.
- 14.2. UN proper shipping name:** No dangerous good in sense of this transport regulation.
- 14.3. Transport hazard class(es):** No dangerous good in sense of this transport regulation.
- 14.4. Packing group:** No dangerous good in sense of this transport regulation.

**Air transport (ICAO-TI/IATA-DGR)**

- 14.1. UN number:** No dangerous good in sense of this transport regulation.
- 14.2. UN proper shipping name:** No dangerous good in sense of this transport regulation.
- 14.3. Transport hazard class(es):** No dangerous good in sense of this transport regulation.
- 14.4. Packing group:** No dangerous good in sense of this transport regulation.

**14.5. Environmental hazards**

ENVIRONMENTALLY HAZARDOUS: No

**14.6. Special precautions for user**

No special measures are necessary.

**14.7. Maritime transport in bulk according to IMO instruments**

not applicable

**SECTION 15: Regulatory information**

**15.1. Safety, health and environmental regulations/legislation specific for the substance or mixture**

**EU regulatory information**

Restrictions on use (REACH, annex XVII):

Entry 3

2004/42/EC (VOC): 0 %

Information according to 2012/18/EU (SEVESO III): Not subject to 2012/18/EU (SEVESO III)

**Additional information**

Regulation (EC) No. 648/2004 (Detergents regulation): not applicable

Regulation (EC) No. 1005/2009 on substances that lead to the depletion of the ozone layer: not applicable

Regulation (EC) No 850/2004 [POP-Regulation]: not applicable

**National regulatory information**

Water hazard class (D): 1 - slightly hazardous to water

**va-Q-accu +04G**

Revision date: 18.10.2021

Product code: VQT011

Page 8 of 8

**Additional information**

Observe in addition any national regulations!

**15.2. Chemical safety assessment**

Chemical safety assessments for substances in this mixture were not carried out.

**SECTION 16: Other information**

**Abbreviations and acronyms**

- ADR: Accord européen sur le transport des marchandises dangereuses par Route (European Agreement concerning the International Carriage of Dangerous Goods by Road)
- IMDG: International Maritime Code for Dangerous Goods
- IATA: International Air Transport Association
- MARPOL: Maritime Pollution Convention
- GHS: Globally Harmonized System of Classification and Labelling of Chemicals
- CLP: Classification, Labelling and Packaging
- EINECS: European Inventory of Existing Commercial Chemical Substances
- ELINCS: European List of Notified Chemical Substances
- CAS: Chemical Abstracts Service
- LC50: Lethal concentration, 50%
- LD50: Lethal dose, 50%
- STOT: Specific Target Organ Toxicity
- UN: United Nations
- OECD: Organisation for Economic Co-operation and Development
- VOC: Volatile Organic Compounds
- RID: Regulation Concerning the International Transport of Dangerous Goods by Rail
- DNEL: Derived No Effect Level
- PNEC: Predicted No Effect Level
- WGK: Wassergefährdungsklasse (German Water Hazard Class)
- PBT: Persistent, bio-cumulative, toxic
- vPvB: very persistent and very bio-cumulative
- ISO: International Organization for Standardization

**Classification for mixtures and used evaluation method according to Regulation (EC) No. 1272/2008 [CLP]**

Classification	Classification procedure
Asp. Tox. 1; H304	Calculation method

**Relevant H and EUH statements (number and full text)**

- H304 May be fatal if swallowed and enters airways.
- EUH066 Repeated exposure may cause skin dryness or cracking.

**Further Information**

The information is based on the present level of our knowledge. It does not, however, give assurance of product properties and establishes no contract legal rights. The receiver of our product is singularly responsible for adhering to existing laws and regulations.

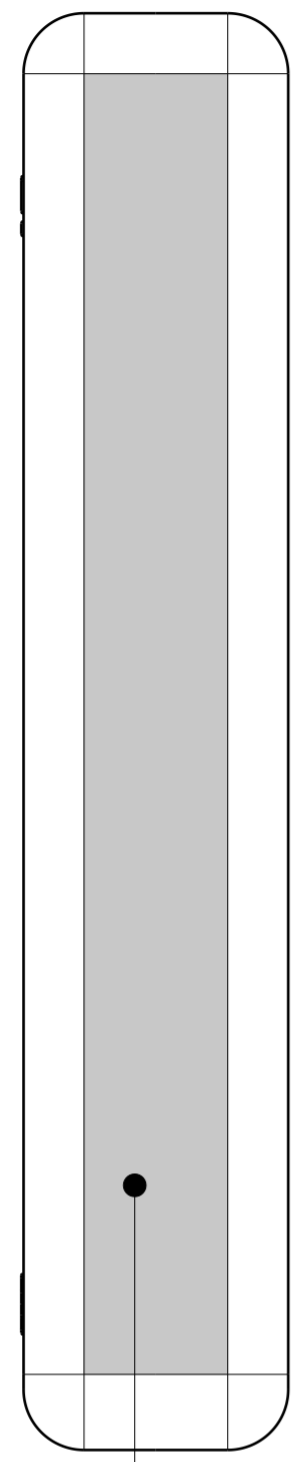
The information given in this safety data sheet is to describe the product's safety regulations.

The information in this safety data sheet is intended to be a guidance for safe handling, use, processing, storage, transportation, disposal and in case of spillages.

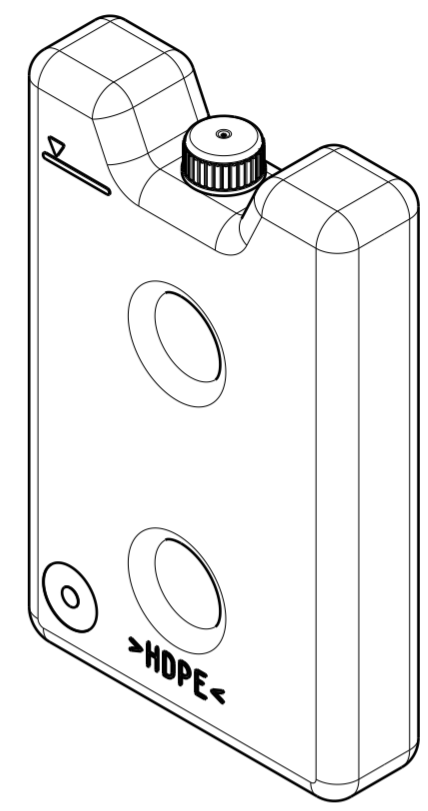
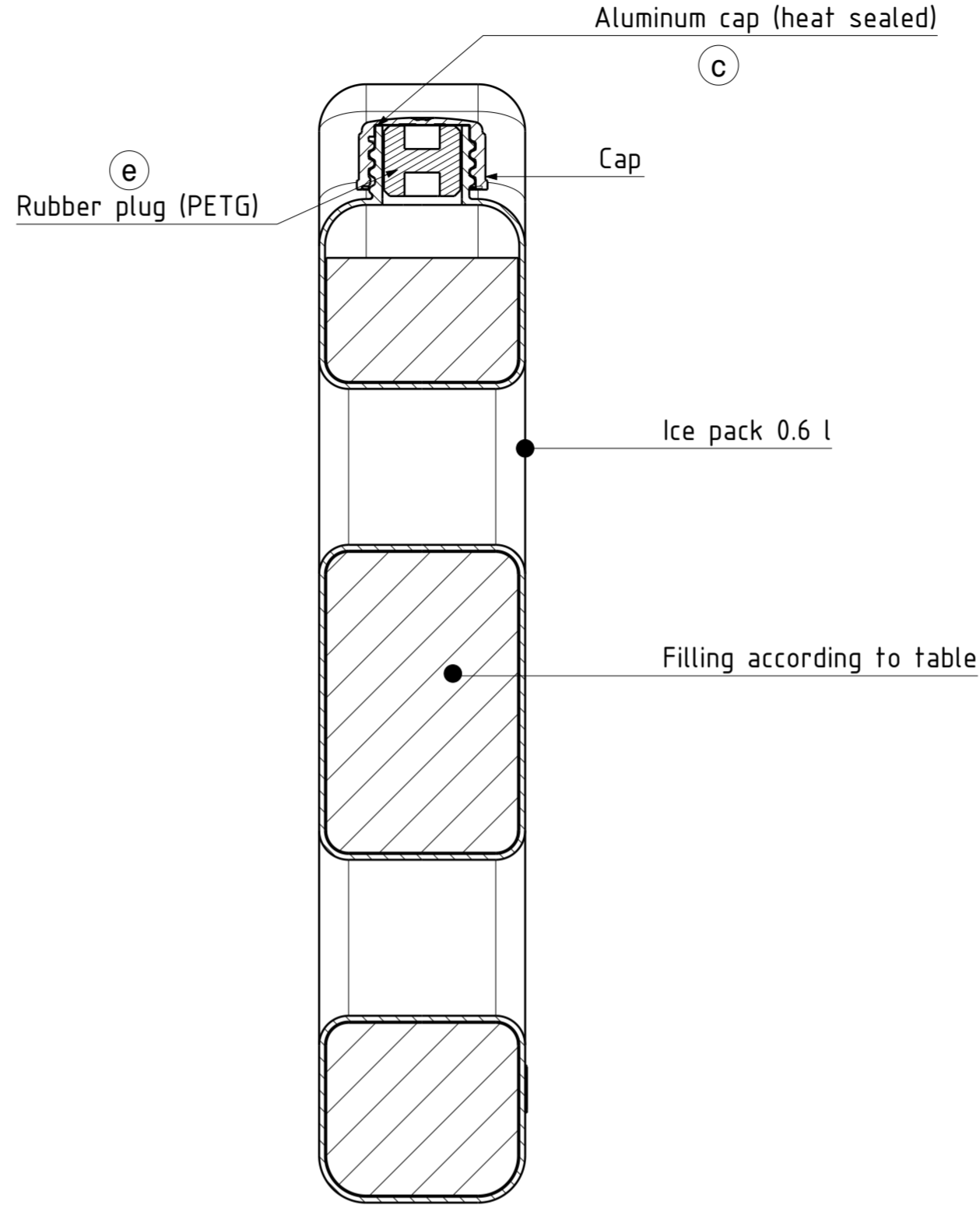
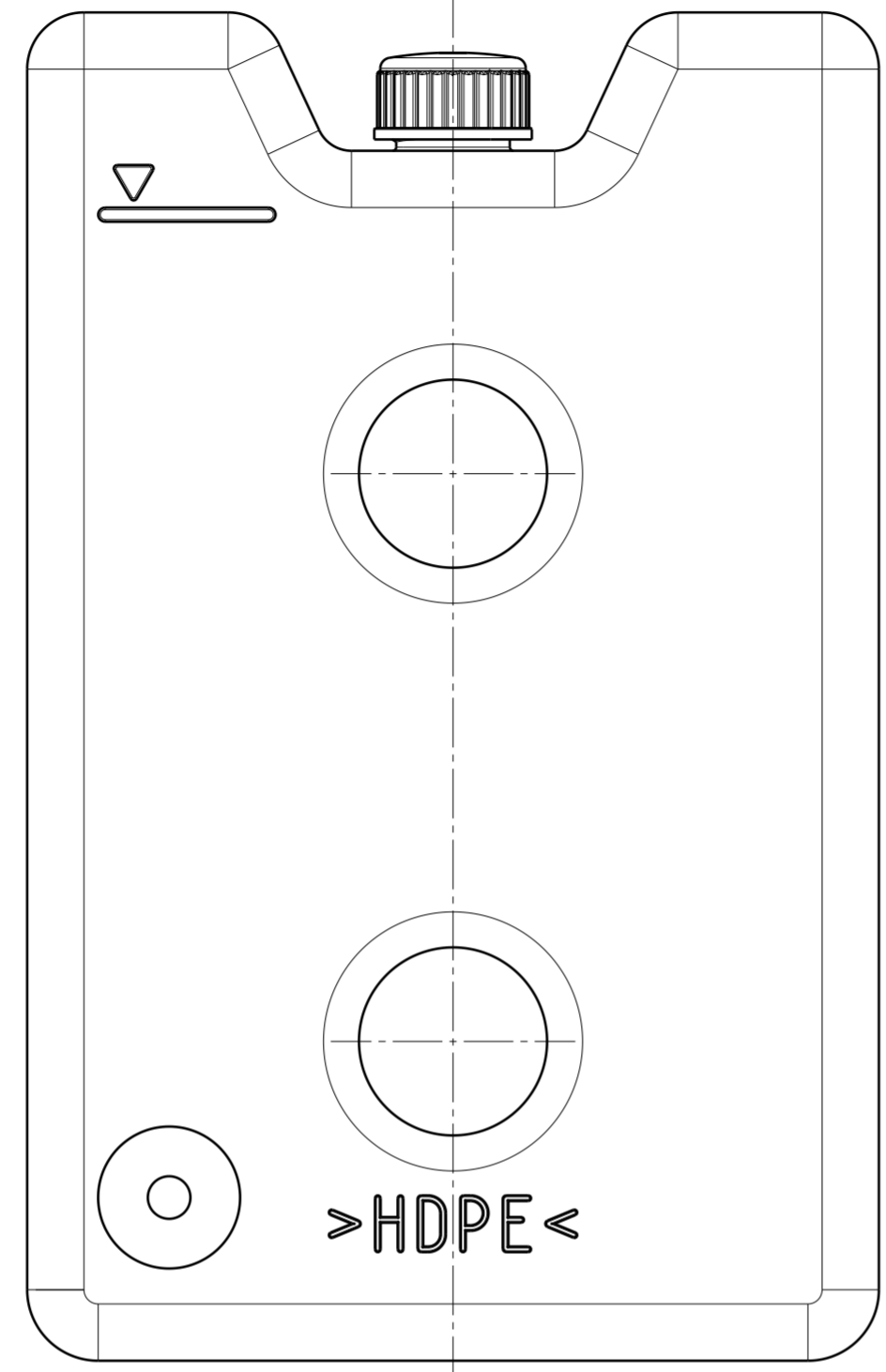
The safety data sheet was generated upon information of pre-suppliers.

*(The data for the hazardous ingredients were taken respectively from the last version of the sub-contractor's safety data sheet.)*





Bedruckung gemäss Tabelle  
Printing according to table



Isometric view  
Scale: 1:2


Copyright reserved (according to DIN 34). - CAD drawing - manual changes are not permitted.

All parts according to directives 2000/53/EC ELV & 2011/65/EU RoHS II

PNO	Filling:			Printing:		
292.8508.12	CAS-N° 13446-18-9	Chemical name / EC-N° Magnesium nitrate hexahydrate / 603-823-9	Qty 50-90%	bmedicalsystems Part No: 292.8508.12 Typ: va-Q-accu 06L Contr. XXX-XXXX Charge XXXXXXXX-XXXXXX Serial XXXXXX XX.XX.XX www.bmedicalsystems.com Pictogram: GSH07		-32G
292.8508.14	CAS-N° 593-45-3	Chemical name / EC-N° Octadecane / 209-790-3 Hydrocarbons, C14-C17, n-alkanes, <2% aromatics / 917-828-1	Qty 50-90% 15-30%	Bmedicalsystems Part No: 292.8508.14 Typ: va-Q-accu 06L Contr. XXX-XXXX Charge XXXXXXXX-XXXXXX Serial XXXXXX XX.XX.XX www.bmedicalsystems.com Pictogram: GSH08		+22G
292.8508.15	CAS-N° 92062-09-4 593-45-3	Chemical name / EC-N° Slack wax (petroleum), hydrotreated / 295-523-6 Octadecane / 209-790-3	Qty 50-90% 30-50%	Bmedicalsystems Part No: 292.8508.15 Typ: va-Q-accu 06L Contr. XXX-XXXX Charge XXXXXXXX-XXXXXX Serial XXXXXX XX.XX.XX www.bmedicalsystems.com Pictogram: GSH08		+37G
292.8508.20	CAS-N° 64771-72-8	Chemical name / EC-N° Hydrocarbons, C14-C15, n-alkanes, <2% aromatics / 928-868-4	Qty 90-100%	Bmedicalsystems Part No: 292.8508.20 Typ: va-Q-accu 06L Contr. XXX-XXXX Charge XXXXXXXX-XXXXXX Serial XXXXXX XX.XX.XX www.bmedicalsystems.com Pictogram: GSH08		+04G

Verschluss muss 100% dicht abschliessen  
Locking system has to be 100% tight

Füllung gemäss Sicherheitsdatenblatt  
Filling according to Material Safety Data Sheet

Material:		Checked <i>Igor Nikolajew</i> Approved <i>freigegeben/V. Iormetti</i>		Scale: 1 : 1
Dimensions are specially checked upon acceptance		Drawn by	Date	Name
			14.04.2010	NIG
e	Removed sealing foil. Added rubber plug (PETG)	16.08.2023	IGN	Replaced by: -
d	Table updated with last TDS	09.10.2021	TBR	Replaced by: -
		Clearance tolerances acc. to ISO 2768 -medium-		Page 1 of 1
c	292.8508.16 switched to .20. Rubber plug replaced by alu seal, cap without glue, change on the printing.	06.10.2021	TBR	Description <b>ICE-PACK NV 0.6l PCM Va-Q-Tech</b>
b	292.8508.16 added	19.01.2021	TBR	
a	Beschriftung Bmedicalsystems	04.04.2018	JHO	
Index	Modification	Date	Name	 No. 292.8508.12-20






# 292.8508.12-20E

Final Audit Report

2023-08-16

Created:	2023-08-16
By:	Igor Nikolajew (igor.nikolajew@bmedicalsystems.com)
Status:	Signed
Transaction ID:	CBJCHBCAABAAWubgYMnJgSBT7JiGOMawfCUp9SdAJSGD

## "292.8508.12-20E" History

-  Document created by Igor Nikolajew (igor.nikolajew@bmedicalsystems.com)  
2023-08-16 - 1:01:09 PM GMT- IP address: 134.238.85.248
-  Document emailed to Vittorio Iormetti (vittorio.iormetti@bmedicalsystems.com) for signature  
2023-08-16 - 1:01:42 PM GMT
-  Email viewed by Vittorio Iormetti (vittorio.iormetti@bmedicalsystems.com)  
2023-08-16 - 1:32:02 PM GMT- IP address: 104.47.73.254
-  Document e-signed by Vittorio Iormetti (vittorio.iormetti@bmedicalsystems.com)  
Signature Date: 2023-08-16 - 1:33:06 PM GMT - Time Source: server- IP address: 134.238.85.248
-  Agreement completed.  
2023-08-16 - 1:33:06 PM GMT