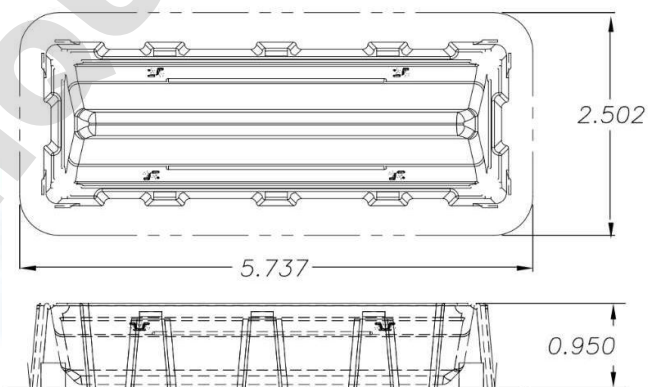


ClearLine® Reagent Reservoir**Specifications :**

- White polystyrene
- Angled sides and V-shaped bottom allow for maximum reagent recovery
- Designed for use in multichannel pipetting applications
- Internal volume graduation lines and pour-spouts on the corners
- Volume : 25 ml
- Sterilized : Yes
- Packaging : 1 reservoir/bag, 25 bags / pack

**Sales Unit :**

100 reservoirs