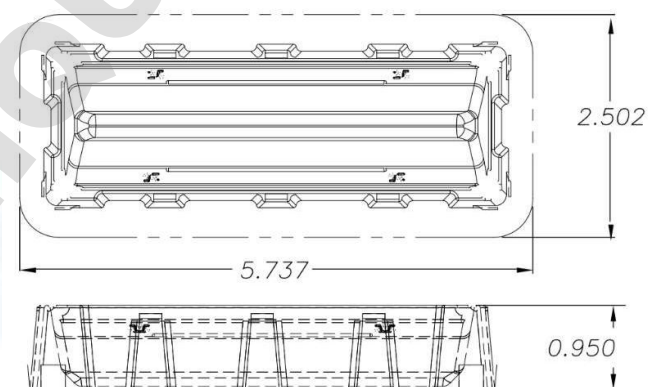


**ClearLine® Reagent Reservoir****Specifications :**

- White polystyrene
- Angled sides and V-shaped bottom allow for maximum reagent recovery
- Designed for use in multichannel pipetting applications
- Internal volume graduation lines and pour-spouts on the corners
- Volume : 25 ml
- Sterilized : No

**Sales Unit :**

100 reservoirs