

TECHNICAL DATASHEET

PART NUMBER 713151



The ISO8655 norm guarantees that the tips used do not alter the technical characteristics of the pipettes, as given by the manufacturer.



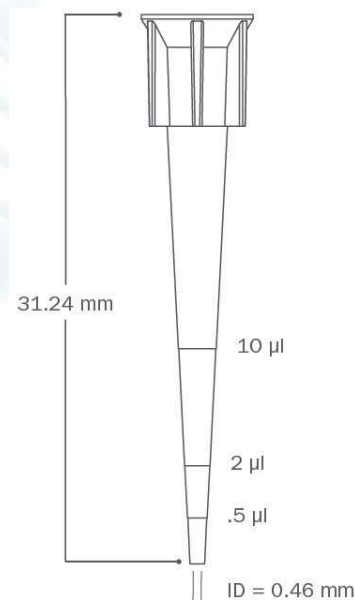
CE marked products are in accordance with the essential health and safety guidelines set by European directives.



Products are certified in accordance with the 79/98/EC directive related to In Vitro Diagnostic medical devices.

ClearLine Tips

Cat. N°	713151
Volume (µl)	10 µl
Low binding	Yes
Filter	No
Sterile	No
Autoclavable	Yes
Material	Medical grade virgin polypropylene
Packaging	Refill system in cardboard
Storage	Store in a clean, dry location at ambient temperature
Quality Control	Each lot certified : RNase, DNase-free, Human DNA free, Endotoxin & pyrogen free
Traceability	On each rack : 5-digit lot number The tip's volume & Cat. N° Expiry date



Units :

960 tips