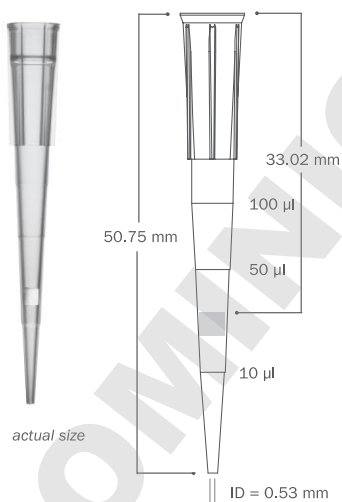
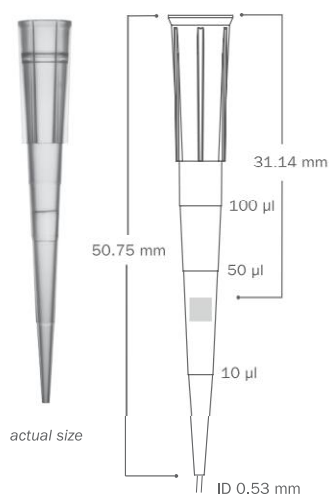


| Series                    | BT10F Series<br>10 µl<br>Finn™ Style<br>Barrier Tip            | BT20 Series<br>20 µl<br>Barrier Tip |   | 2100 Series<br>200 µl Ultra Micro Tip   |  |   |   |
|---------------------------|--|-------------------------------------|---|---|--|---|---|
| Part Number               | BT10F  | BT20                                | BT20-ESP  | 2100.N<br>2100  | 2107.N, 2107<br>2107.S                                     | 2101.N<br>2101  | 2102.N, 2102NS,<br>2102                                   |
| Graduation Marks          | Indicated at 10 µl location                                    |                                     |   | Graduation marks are indicated at 10 µl, 50 µl and 100 µl locations<br>Refer to product image for visuals |  |   |   |
| Tip Composition           | Neptune pipette tips are made of virgin polypropylene          |                                     |   |   |  |   |   |
| Tip Types Available       | S <sup>3</sup> *   |                                     |   | Natural Polypropylene & S <sup>3</sup> *  |  |   | Natural Polypropylene                                     |
| Filter Material           | High Density Polyethylene Filter                               |                                     |   | Non-Filtered Products   |  |   |   |
| Offered in Sterile Format | Yes  |                                     |   | No  | Yes  | No  | Yes   |
| Configuration             | Racked   |                                     | ESP-Reload**  | Bulk  | ESP-Reload**   | Rack and Stack  | Racked  |
| Packaging Breakdown       | 96 tips per rack<br>10 racks per pack<br>5 packs per case      |                                     | 96 tips per insert<br>10 inserts per pack<br>4 packs per case | 1000 tips/bag<br>10 bags/case   | 96 tips per card<br>10 cards per pack<br>10 packs per case | 192 tips per insert<br>5 inserts per pack<br>5 packs per case | 96 tips per rack<br>10 racks per pack<br>5 packs per case |
| Autoclavable              | No   |                                     |   | Autoclavable at 120 °C for 10-15 PSI  |  |   |   |
| Storage Conditions        | Store in a clean, dry environment at room temperature 15-30 °C |                                     |   |   |  |   |   |

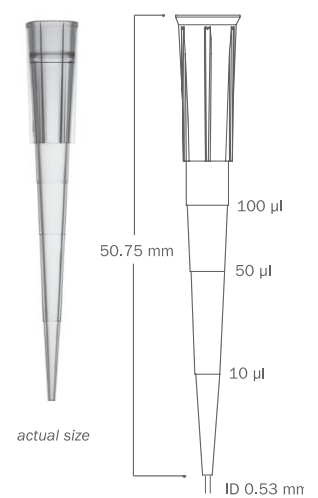
BT10F Series



BT20 Series



2100 Series



**S<sup>3</sup>\*** Sample Saving Surface virtually eliminates sample hold-up  
**ESP Reload\*\*** Neptune's patented reload system  
 Environmentally Sustainable Pack (ESP) reduces plastic waste by up to 90%





### Quality Control:

|                            |   |
|----------------------------|---|
| Certificates of Compliance | Each lot undergoes stringent inspection and individual lot testing ensures Neptune products are certified RNase, DNase, DNA and Endotoxin-free. Visit <a href="http://www.neptunescientific.com">www.neptunescientific.com</a> to obtain a copy of a certificate of compliance for your Neptune product.  |
| RNase/ DNase               | Products are washed in distilled water and concentrated via centrifugation. Samples are added to previously established nucleic acid standards, incubated for one hour at 37°C, and tested on a 2% gel using electrophoresis. Products must show no degradation of standards to pass. Test sensitivity is 10 <sup>-7</sup> Kunitz units/μl.                                       |
| Nucleic Acid               | Products are washed in distilled water and concentrated via centrifugation. Then, samples are added to protocol specified PCR reactions and thermal cycled for 50 cycles. A 2% agarose gel electrophoresis is used to examine experimental samples, positive controls, and negative controls. To pass, product samples must show no DNA amplification. Test sensitivity is 10 ng. |
| Endotoxin/ Pyrogen         | Products are tested for endotoxins by using the Limulus Amebocyte Lysate (LAL) gel assay according to FDA guidelines. Test sensitivity is 0.06 EU/ml.   |
| Sterilization              | Products are sterilized using electron beam irradiation.  |
| Traceability               | Each product contains a 5 digit lot number located on the rack, pack and case of each finished good. With Neptune's advanced manufacturing process all raw materials are able to be traced for maximum quality assurance.   |

### Advancements in Liquid Handling:

|                     |   |
|---------------------|---|
| S <sup>3</sup>      | Neptune's exclusive S <sup>3</sup> polymer was designed to increase pipetting accuracy by virtually eliminating tip retention and sample hold-up.   |
| ESP Reload          | Neptune's ESP (Environmental Sustainable Pack) was the industry's first pipette reload system designed to minimize plastic waste by 90% and provide an environmentally friendly solution. |
| Aerosol Barrier Tip | Specifically engineered to reduce cross contamination.  |

### Pipettor Compatibility:

Biohit™ M100 and M200

Biohit Proline Plus™ 100 μl and 200 μl

Brand Transferpette S™ 20 μl, 100 μl and 200 μl

Brand Transferpette Electronic™ 300 μl

Capp™ 50 μl, 100 μl, and 300 μl

CLP Beta-Pette™ 20 μl, 100 μl and 200 μl

CLP Poseidon™ 50 μl, 100 μl, 200 μl and 300 μl

CLP Poseidon Electronic™ 200 μl

Eppendorf Reference™ 20 μl, 100 μl and 200 μl

Eppendorf Research™ 20 μl, 100 μl, 200 μl and 300 μl

Eppendorf Research Plus™ 20 μl and 100 μl

Eppendorf Xplorer™ 20 μl and 100 μl

Finnpipette™ 20 μl, 50 μl, 200 μl and 300 μl

Finnpipette™ Electronic 300 μl

Gilson Pipetman™ P20, P100 and P200

Gilson Pipetman Ultra™ U20 and U200

Hamilton™ 25 μl, 100 μl and 300 μl

Nichiryo Nichipet EX™ 20 μl, 100 μl and 200 μl

Nichiryo Oxford Benchmate™ 20 μl

Nichiryo Oxford Multimatch™ 50 μl and 300 μl

Socorex Calibri 822™ 100 μl and 200 μl

VWR Ergonomic High Performance™ 20 μl and 200 μl

VWR Ultra High Performance™ 20 μl, 100 μl and 200 μl